



US00D948531S

(12) **United States Design Patent**  
**Rivers et al.**

(10) **Patent No.:** **US D948,531 S**

(45) **Date of Patent:** **\*\* Apr. 12, 2022**

(54) **DISPLAY SCREEN OR PORTION THEREOF WITH GRAPHICAL USER INTERFACE**

(71) Applicant: **FLIR Belgium BVBA**, Meer (BE)

(72) Inventors: **Mark Rivers**, Winchester (GB);  
**Natalie Holder**, Fareham (GB); **Chris Jones**, Fareham (GB)

(73) Assignee: **FLIR Belgium BVBA**, Meer (BE)

(\*\*) Term: **15 Years**

(21) Appl. No.: **29/692,011**

(22) Filed: **May 21, 2019**

(51) **LOC (13) Cl.** ..... **14-04**

(52) **U.S. Cl.**  
USPC ..... **D14/485**

(58) **Field of Classification Search**  
USPC ..... D14/485–495  
CPC ..... G06F 3/048; G06F 3/0481; G01C 21/36;  
G08G 1/0962; G08F 1/123  
See application file for complete search history.

(56) **References Cited**

**U.S. PATENT DOCUMENTS**

D707,705 S *	6/2014	Folken	.....	D14/490
D707,708 S *	6/2014	Harre	.....	D14/492
D713,411 S *	9/2014	Gall	.....	D14/485
D752,637 S *	3/2016	Yun	.....	D14/489
D783,659 S *	4/2017	Park	.....	D14/486
D785,025 S *	4/2017	Zimmerman	.....	D14/486
D802,611 S *	11/2017	Mangold	.....	D14/486
D815,148 S *	4/2018	Martin	.....	D14/492
D816,714 S *	5/2018	Oh	.....	D14/492
D823,342 S *	7/2018	Kobayashi	.....	D14/493
D854,032 S *	7/2019	Jones	.....	D14/486

D864,977 S *	10/2019	Lehmann	.....	D14/485
D870,145 S *	12/2019	Christian	.....	D14/488
D872,109 S *	1/2020	Folken	.....	D14/485
D879,119 S *	3/2020	Kim	.....	D14/485
D883,324 S *	5/2020	Mollinga	.....	D14/489
D890,788 S *	7/2020	Biberger	.....	D14/486
D891,444 S *	7/2020	Ueta	.....	D14/485
D894,230 S *	8/2020	Butler	.....	D14/492
D896,830 S *	9/2020	Shi	.....	D14/486
D898,048 S *	10/2020	Protzman	.....	D14/485
D907,661 S *	1/2021	Bettig	.....	D14/489
D910,075 S *	2/2021	Butcher	.....	D14/491

\* cited by examiner

*Primary Examiner* — Daniel J Domino

(74) *Attorney, Agent, or Firm* — Haynes and Boone, LLP

(57) **CLAIM**

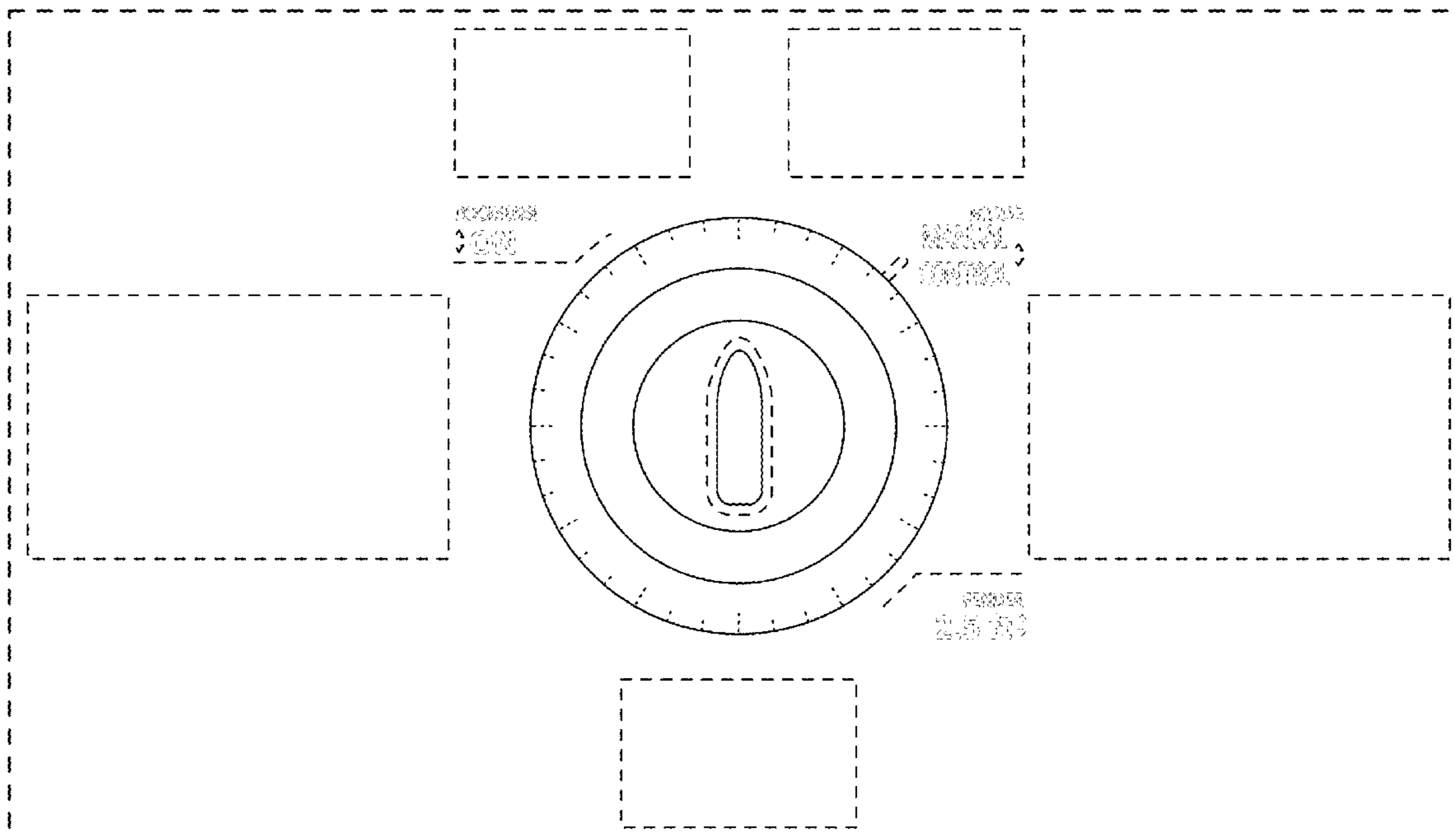
The ornamental design for a display screen or portion thereof with graphical user interface, as shown and described.

**DESCRIPTION**

FIG. 1 is a front view of a display screen or portion thereof with graphical user interface embodying the new design; FIG. 2 is a second embodiment thereof; FIG. 3 is a third embodiment thereof; FIG. 4 is a fourth embodiment thereof; FIG. 5 is a fifth embodiment thereof; FIG. 6 is a sixth embodiment thereof; FIG. 7 is a seventh embodiment thereof; and, FIG. 8 is an eighth embodiment thereof.

The outermost broken line illustrates a portion of a display screen while all other broken lines illustrate elements of a graphical user interface or representative imagery. All broken lines form no part of the claimed design.

**1 Claim, 8 Drawing Sheets**



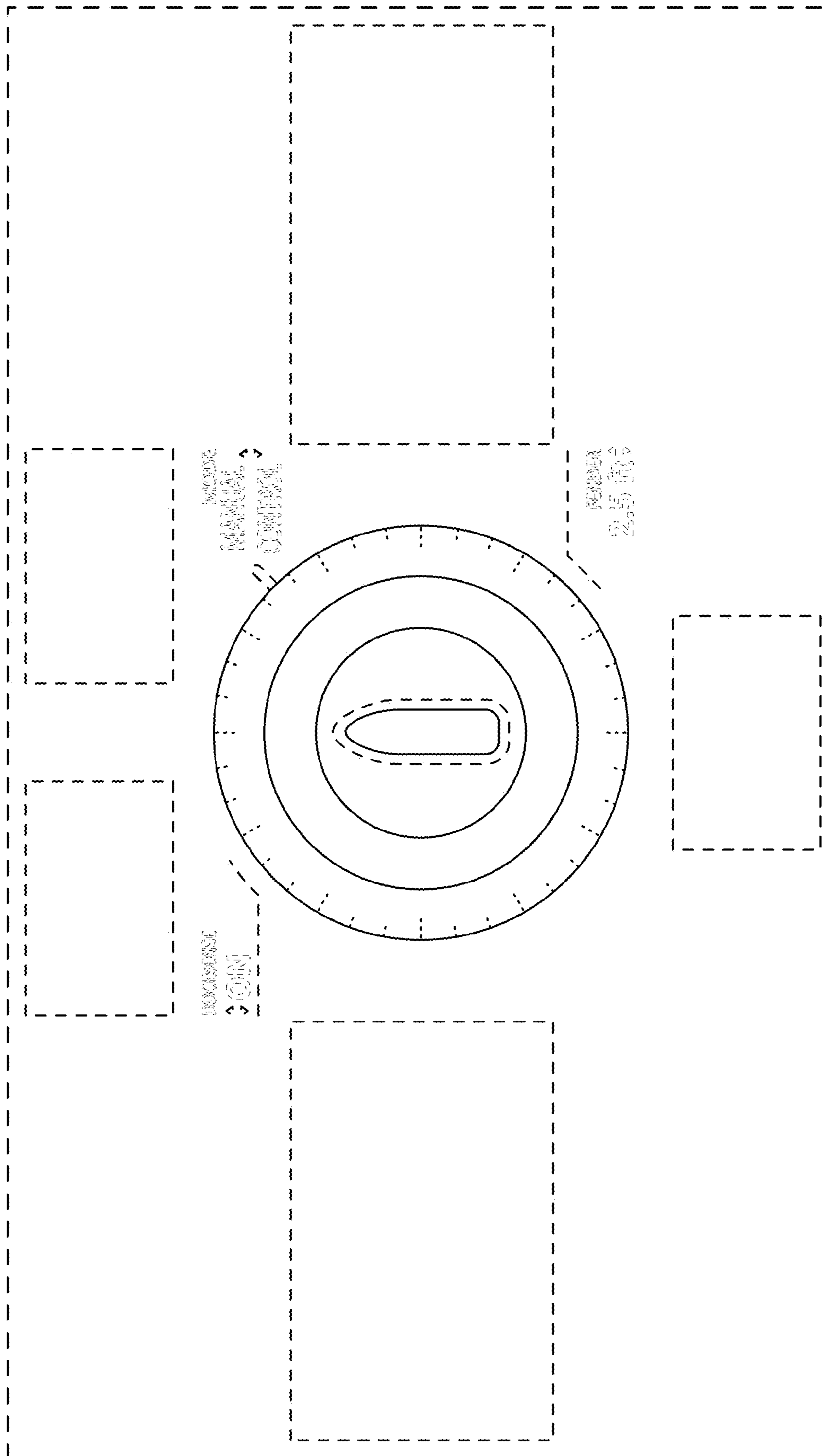


FIG. 1

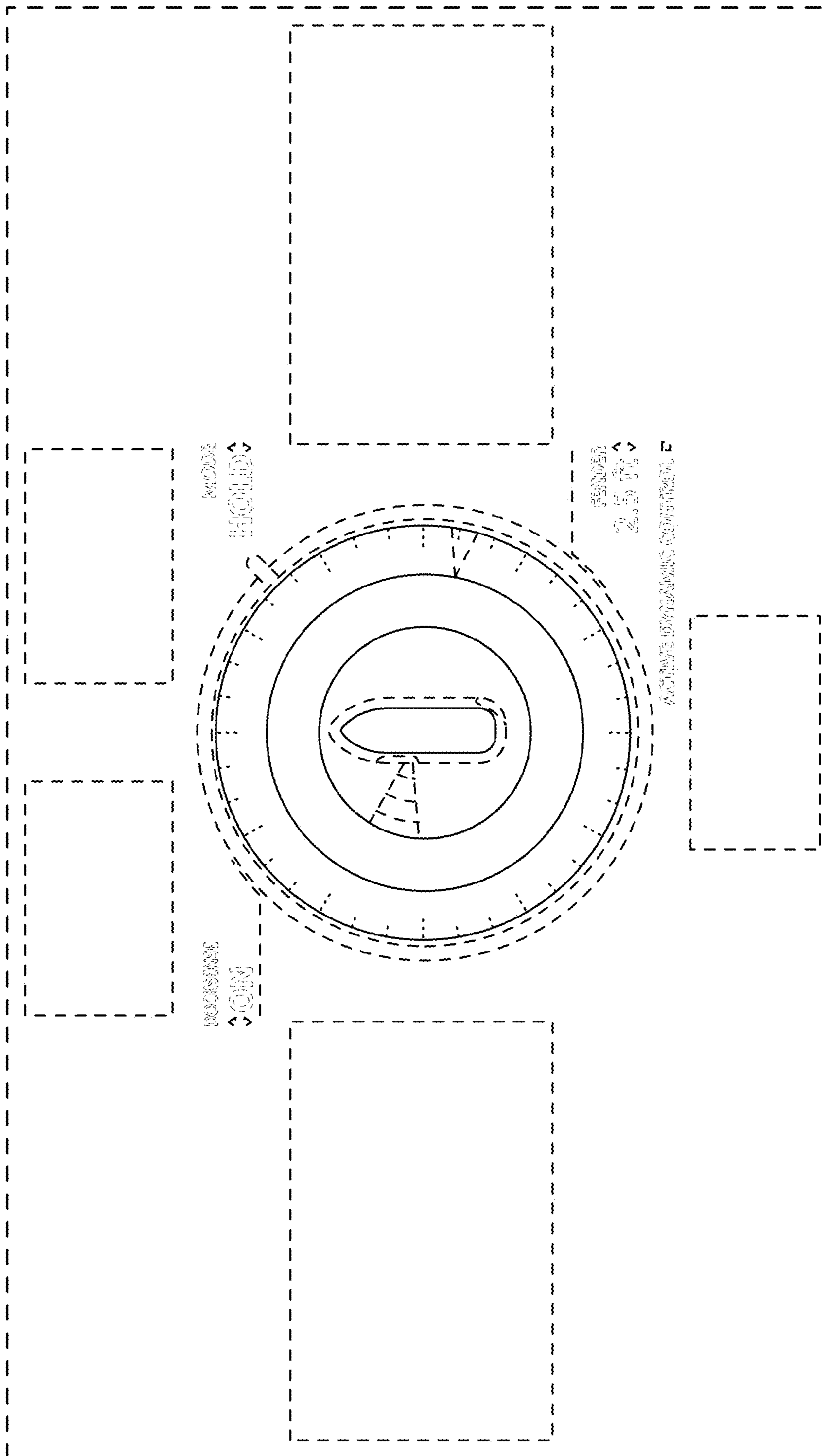


FIG. 2

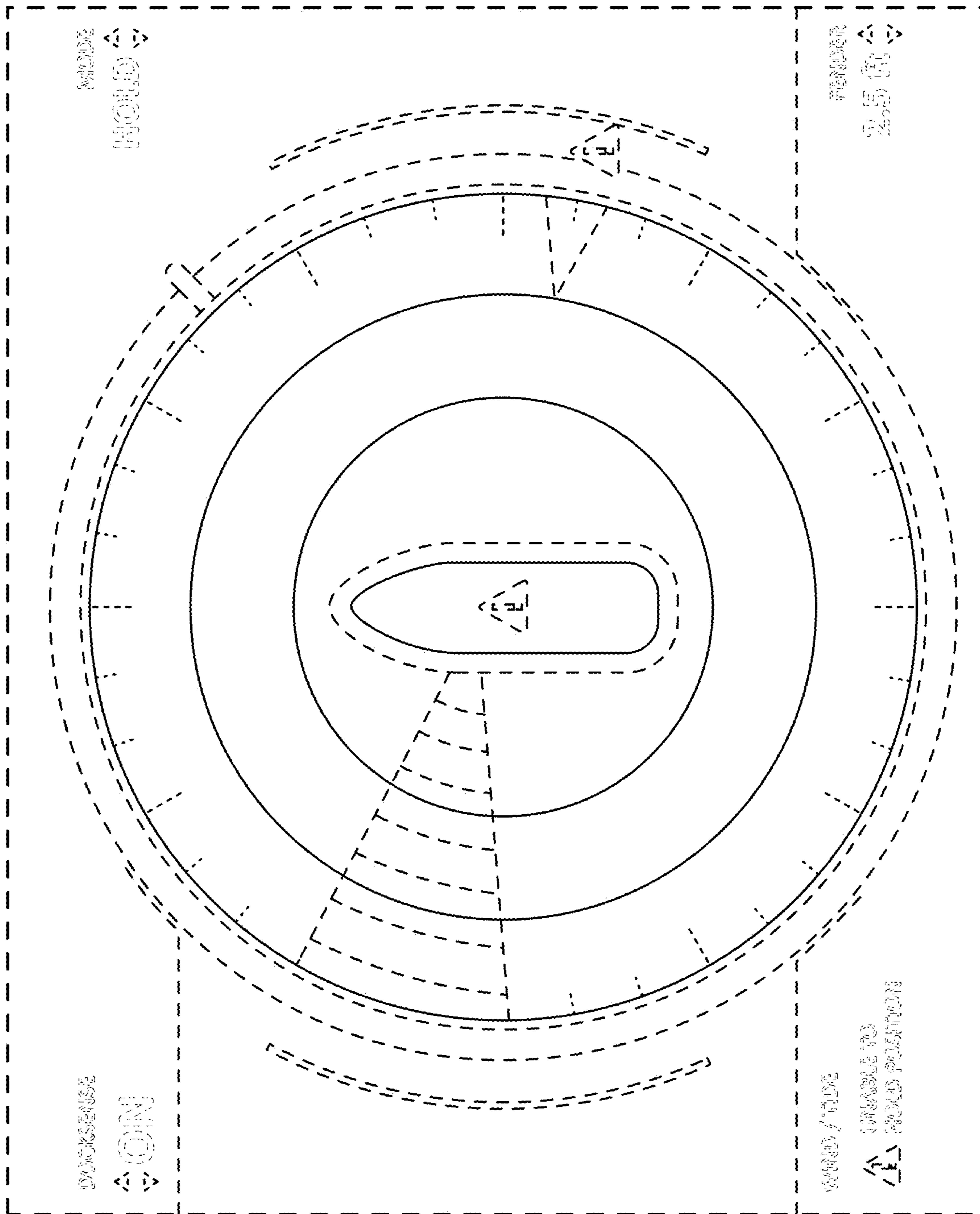


FIG. 3

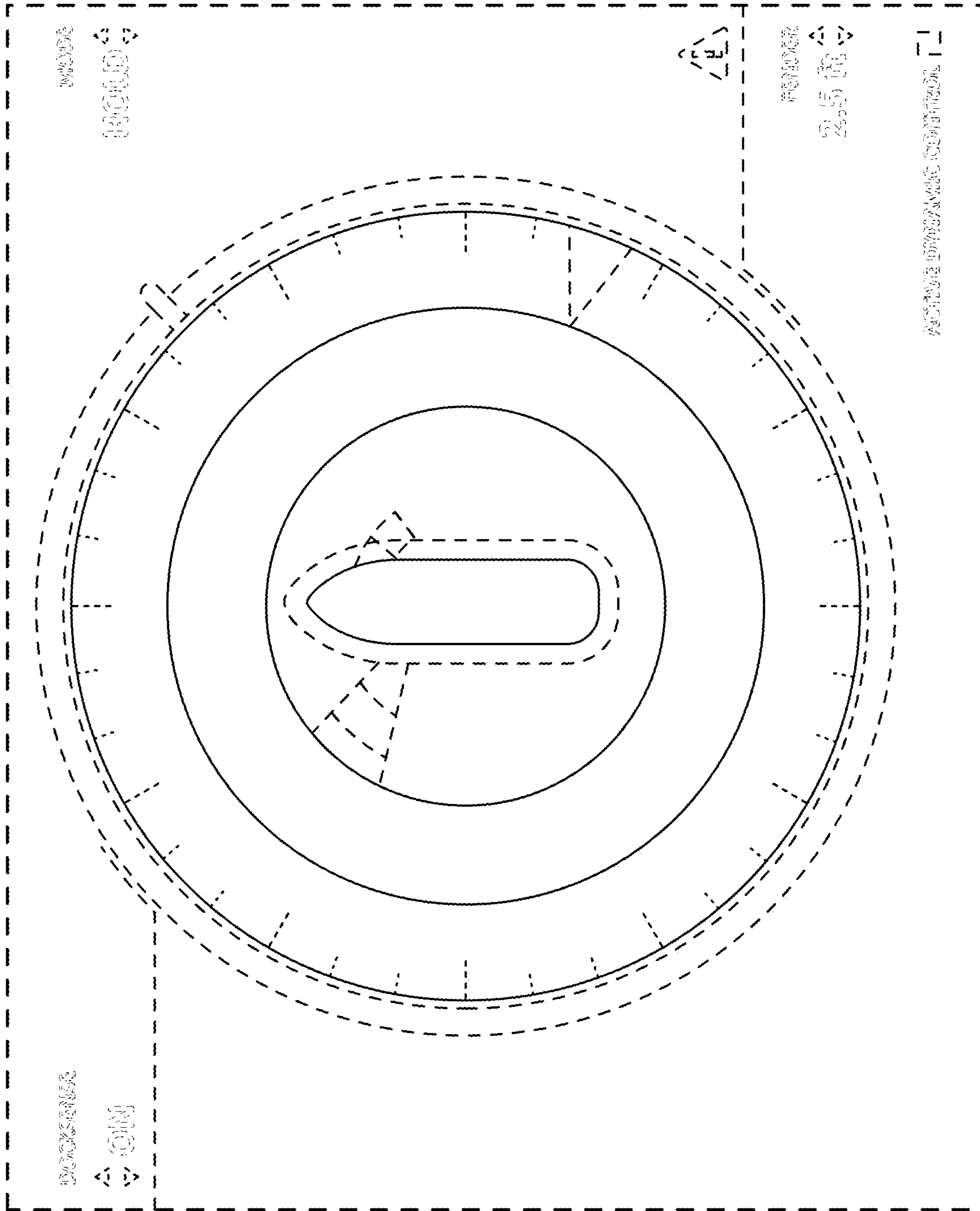


FIG. 4

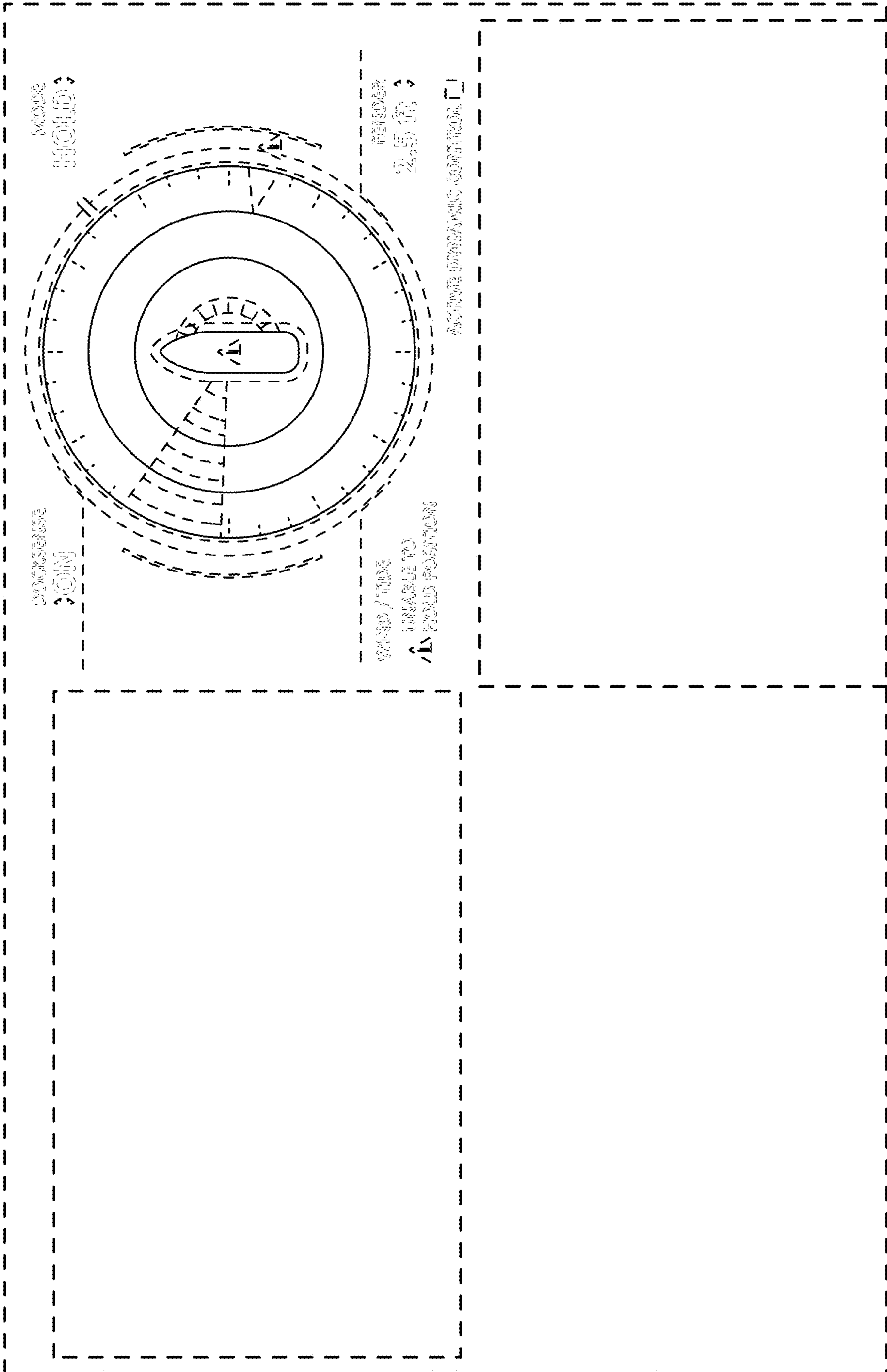


FIG. 5

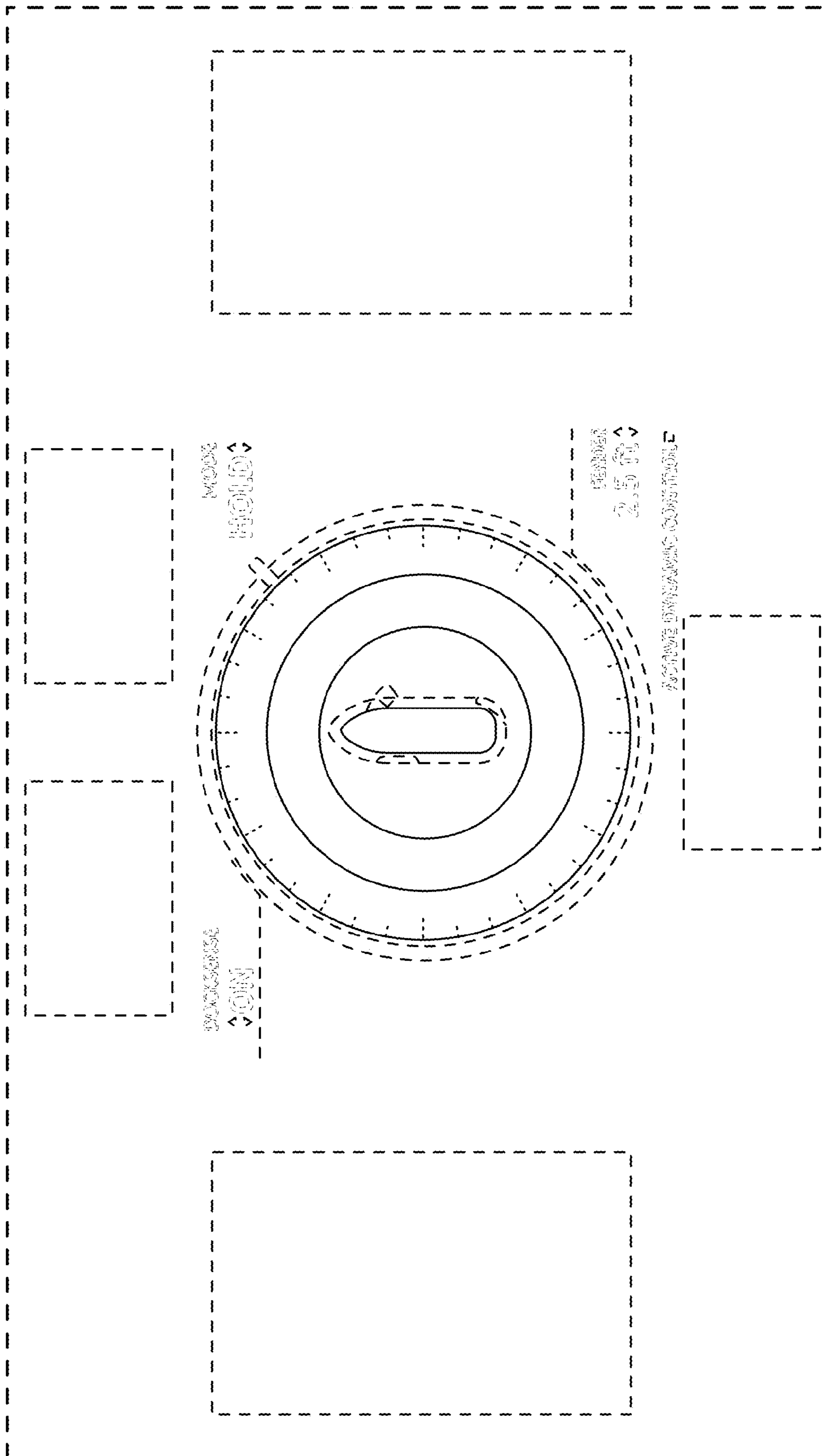


FIG. 6

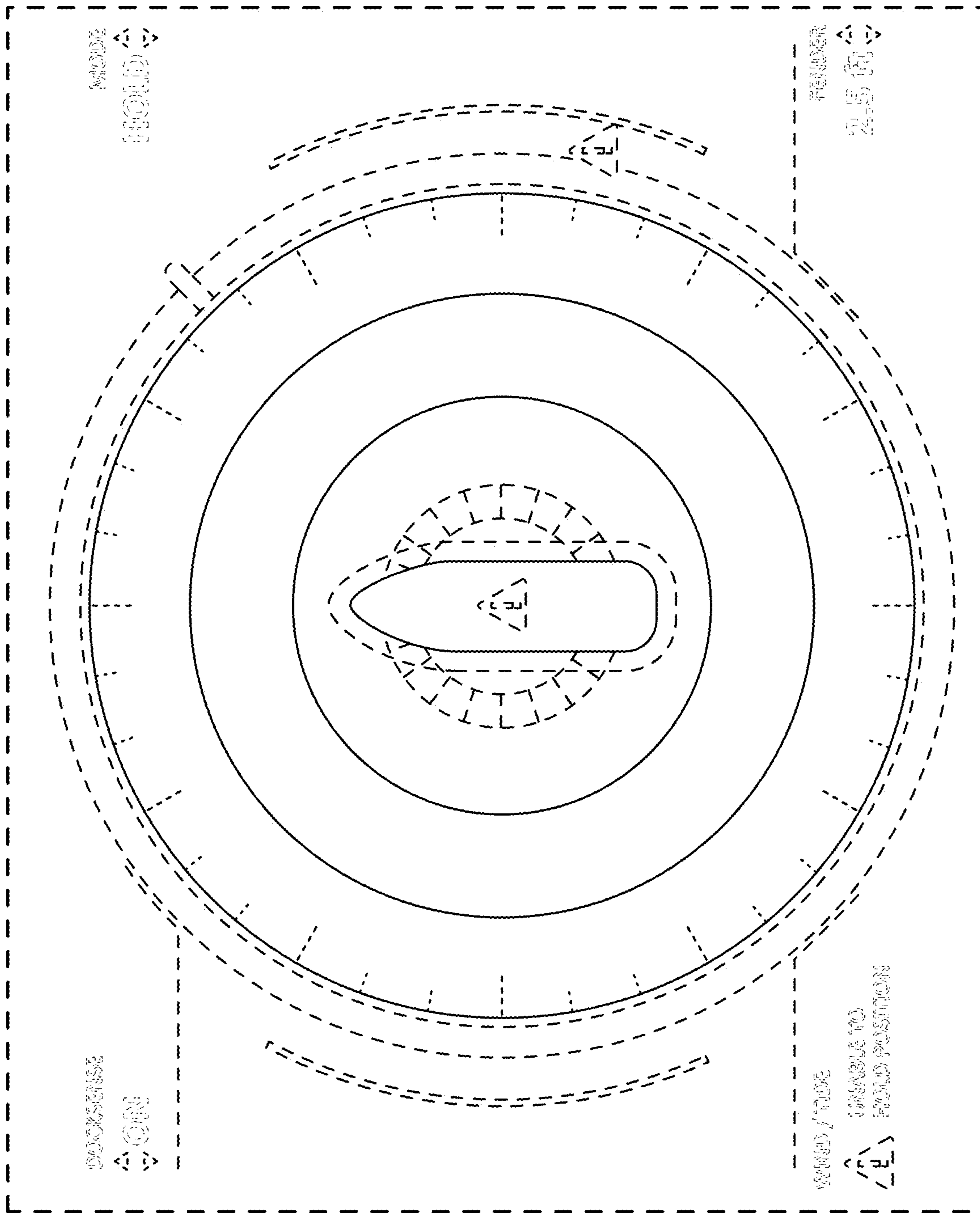


FIG. 7



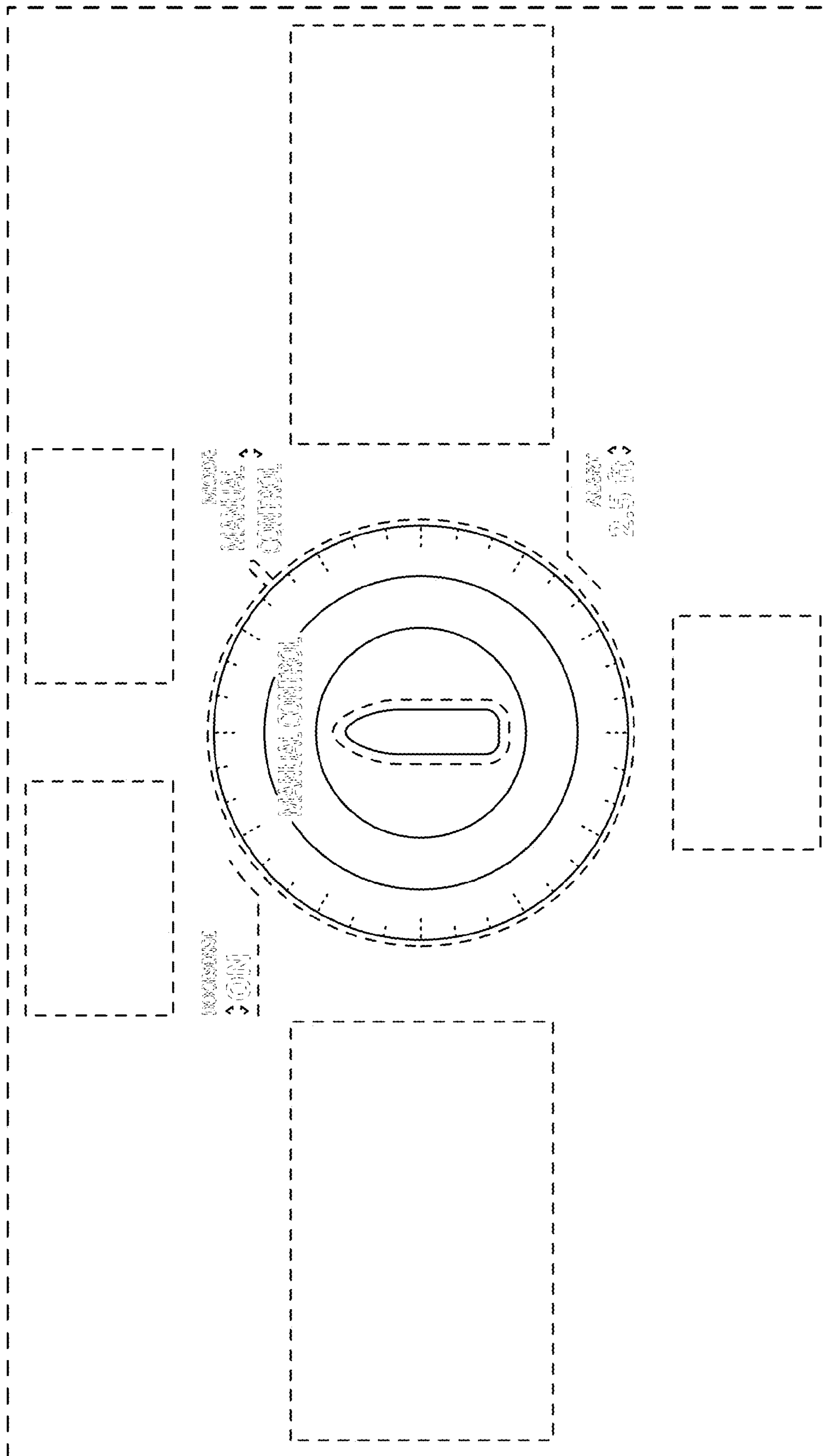


FIG. 8