



US00D948527S

(12) **United States Design Patent** (10) **Patent No.:** **US D948,527 S**
Liu (45) **Date of Patent:** **** Apr. 12, 2022**

- (54) **WIRELESS USB DONGLE**
- (71) Applicant: **ShenzhenBilianElectronicLimited**,
Shenzhen (CN)
- (72) Inventor: **Yunsheng Liu**, Nanyang (CN)
- (73) Assignee: **SHENZHENBILIANELECTRONICLIMITED**,
Shenzhen (CN)
- (**) Term: **15 Years**
- (21) Appl. No.: **29/779,985**
- (22) Filed: **Apr. 22, 2021**
- (51) **LOC (13) Cl.** **14-02**
- (52) **U.S. Cl.**
USPC **D14/480.1**
- (58) **Field of Classification Search**
USPC D14/480.1–480.7, 435.1, 411, 433, 436,
D14/484.1, 137, 155, 203.1–203.8, 240,
D14/242, 496, 474; D13/133, 154
CPC H05K 5/0278; G06K 19/07732
See application file for complete search history.

- D703,680 S * 4/2014 Lin D14/480.1
D707,688 S * 6/2014 Wu D14/480.1
D758,371 S 6/2016 Daniel
D759,003 S * 6/2016 Daniel D14/240
D786,265 S * 5/2017 Chiu D14/480.5
D837,226 S * 1/2019 Wei D14/480.7
D874,469 S * 2/2020 Shim D14/480.1
D908,090 S * 1/2021 Link D13/133
D917,479 S * 4/2021 Deng D14/388
D927,504 S * 8/2021 Wu D14/480.1
D935,396 S * 11/2021 Liao D14/433

* cited by examiner

Primary Examiner — Angela J Lee

(57) **CLAIM**

The ornamental design for a wireless USB dongle, as shown and described.

DESCRIPTION

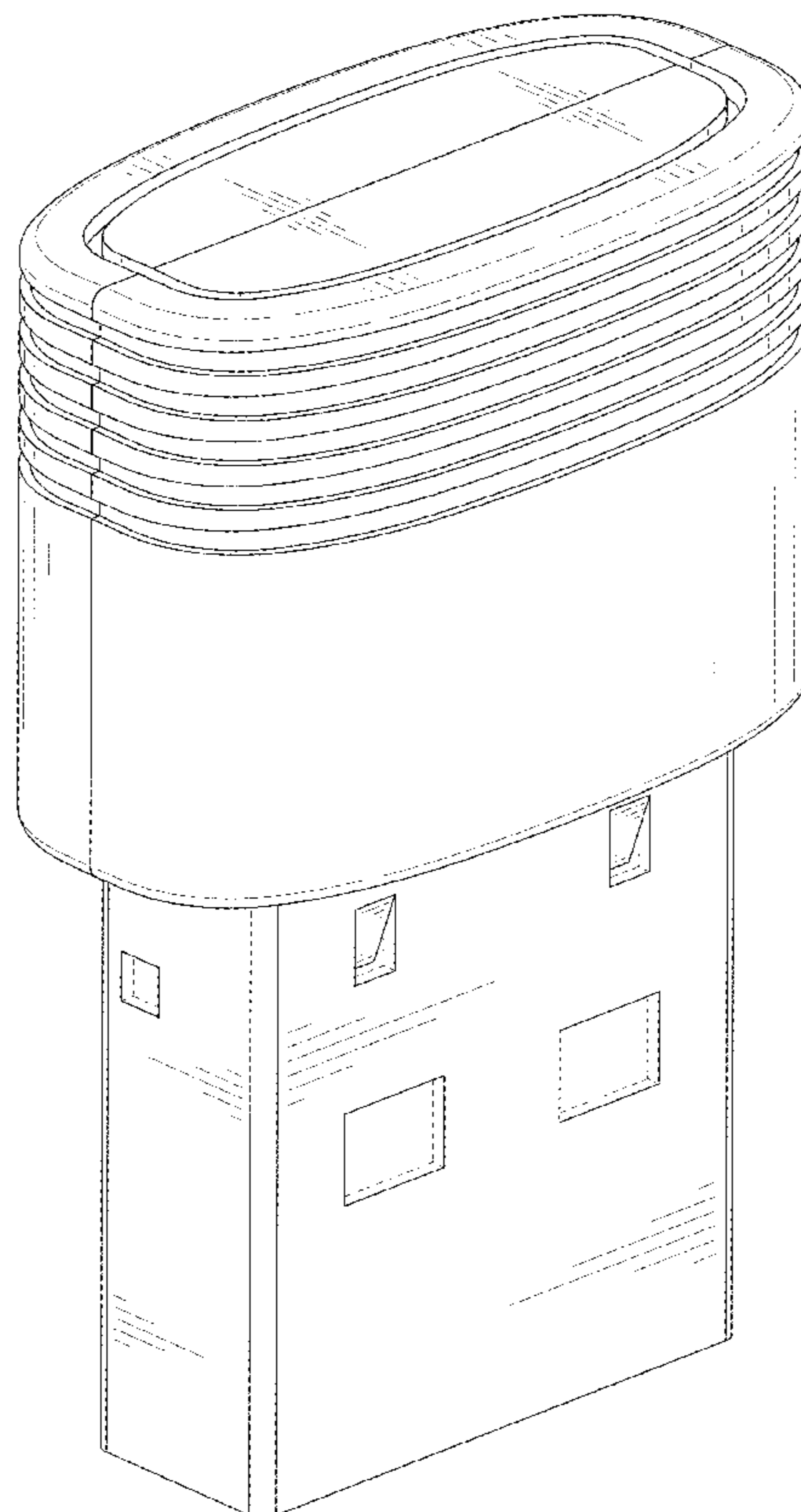
FIG. 1 is a perspective view of a wireless USB dongle showing my new design;
FIG. 2 is another perspective view thereof;
FIG. 3 is a front elevational view thereof;
FIG. 4 is a rear elevational view thereof;
FIG. 5 is a left side elevational view thereof;
FIG. 6 is a right side elevational view thereof;
FIG. 7 is a top plan view thereof; and,
FIG. 8 is a bottom plan view thereof.
The broken lines in the drawings depict portions of the wireless USB dongle that form no part of the claimed design.

(56) **References Cited**

U.S. PATENT DOCUMENTS

- D621,831 S * 8/2010 Whitcomb D10/103
D648,726 S * 11/2011 Behar D14/435.1
D648,730 S 11/2011 Huang
D703,679 S * 4/2014 Chen D14/480.1

1 Claim, 8 Drawing Sheets



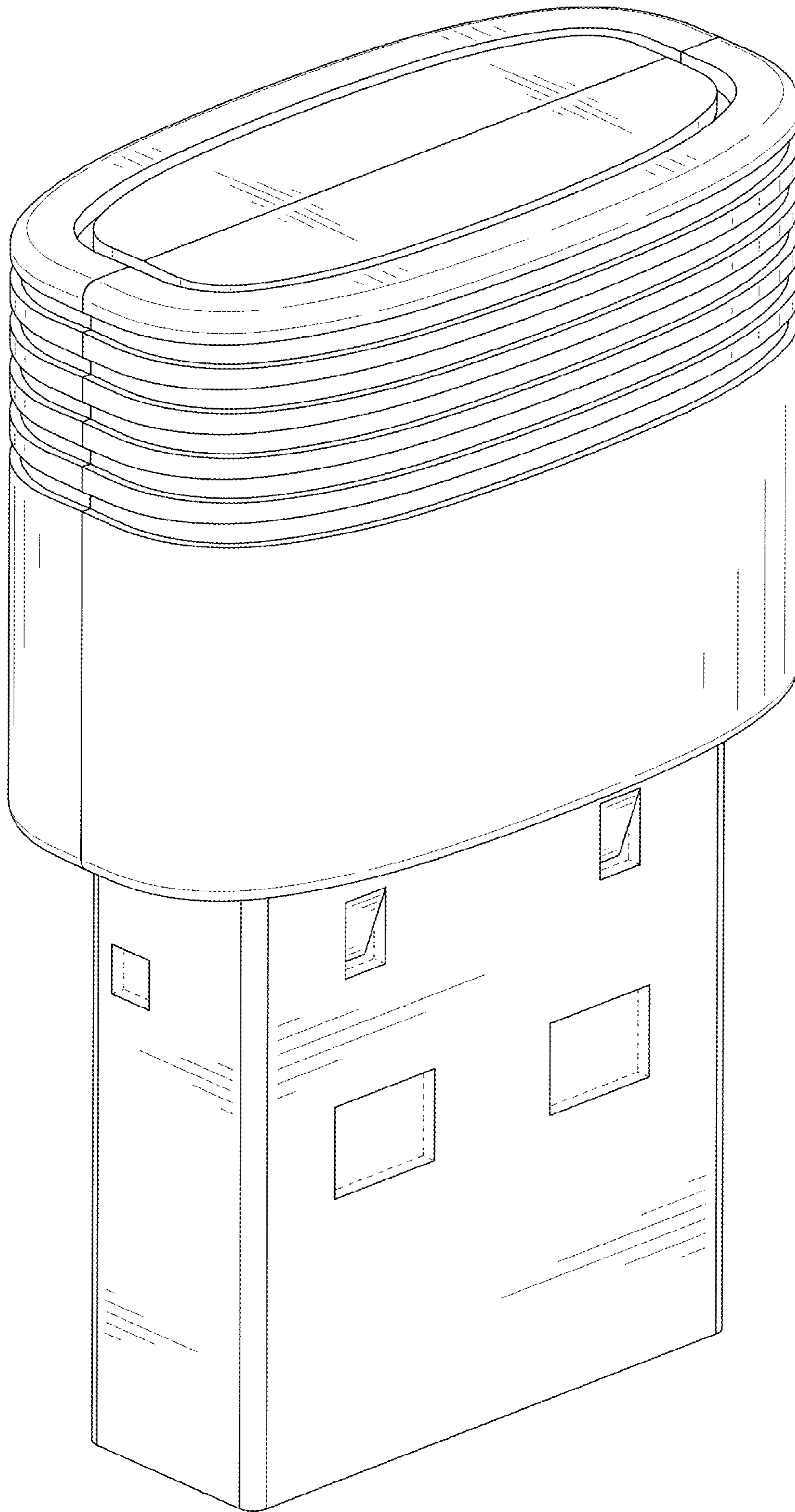


FIG. 1

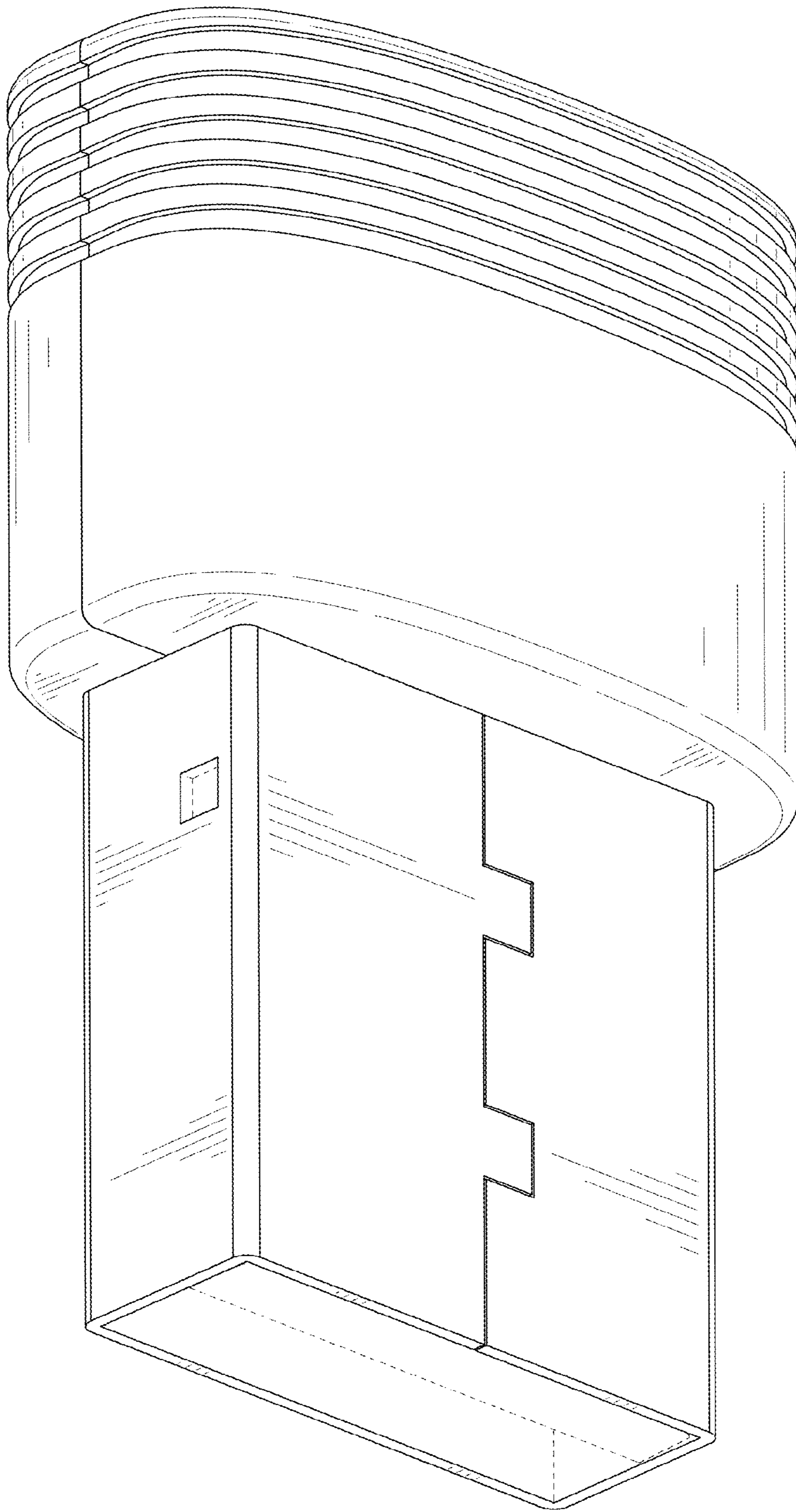


FIG. 2

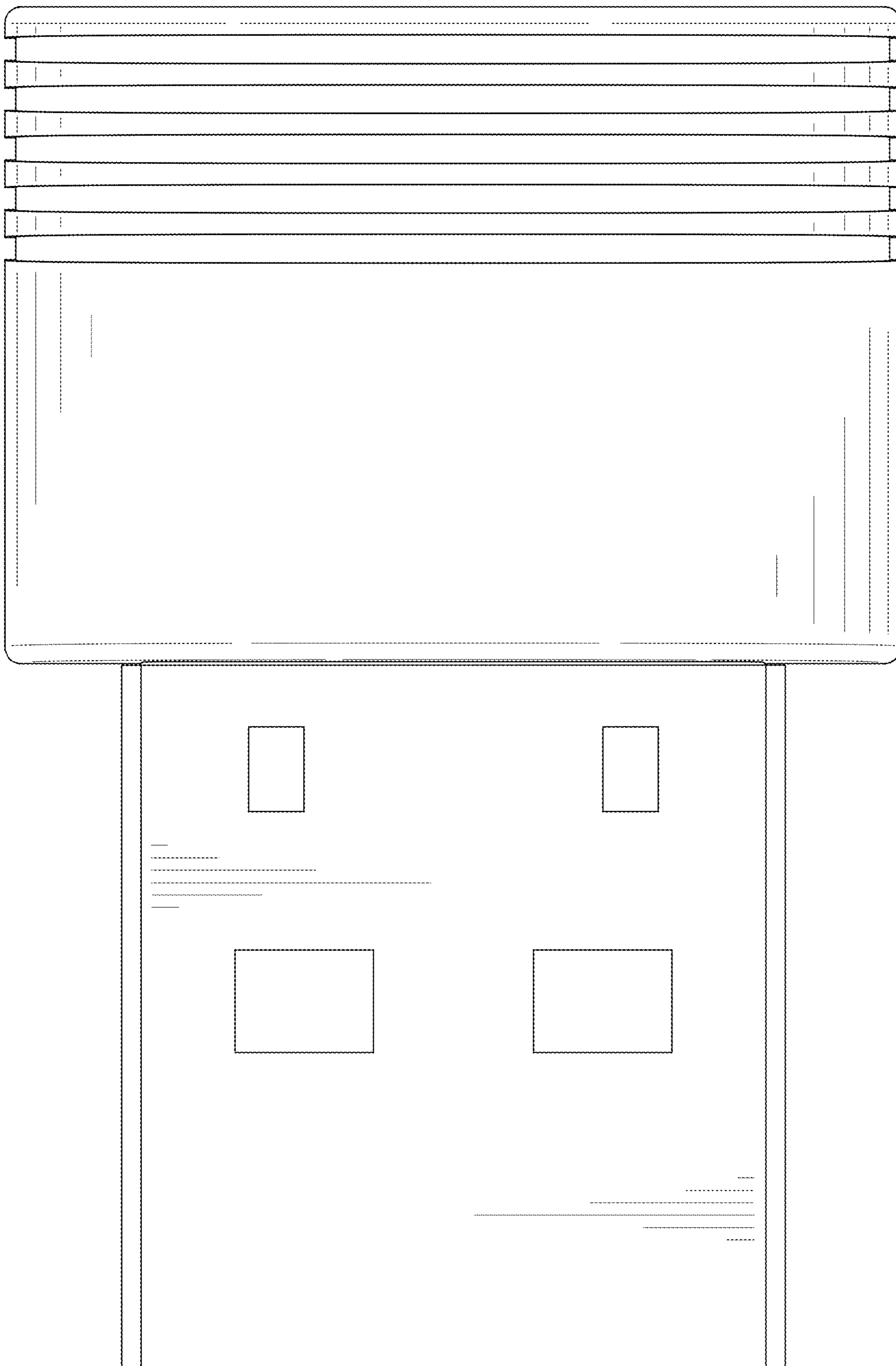


FIG. 3

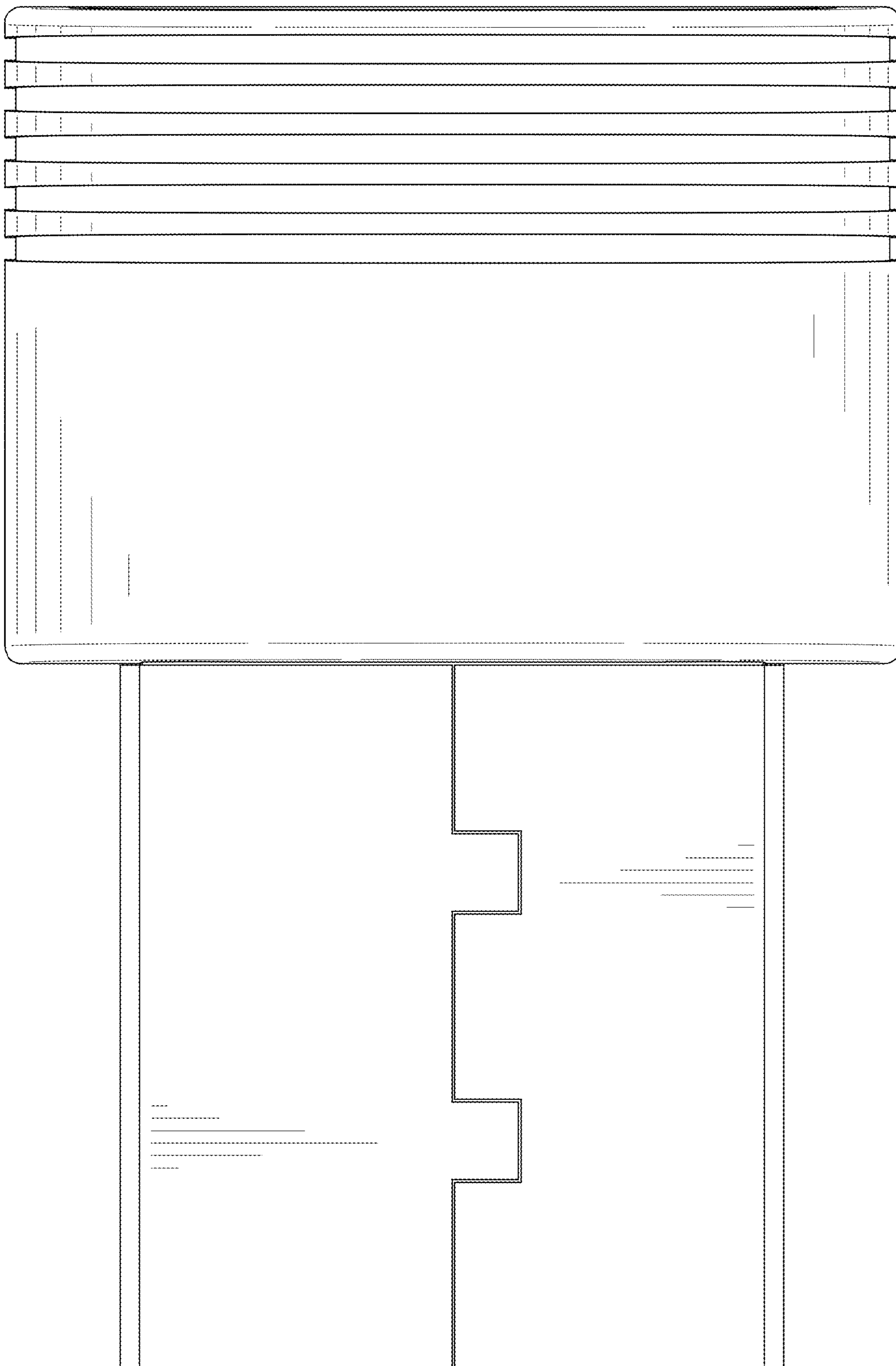


FIG. 4

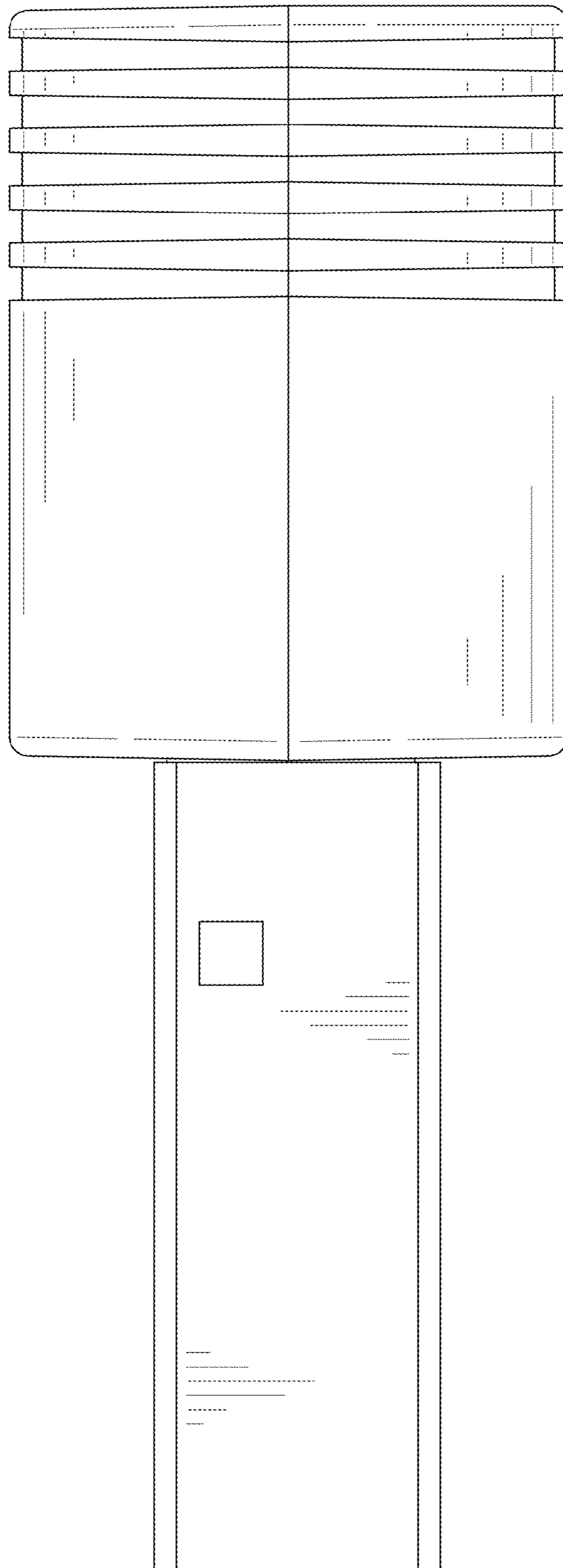


FIG. 5

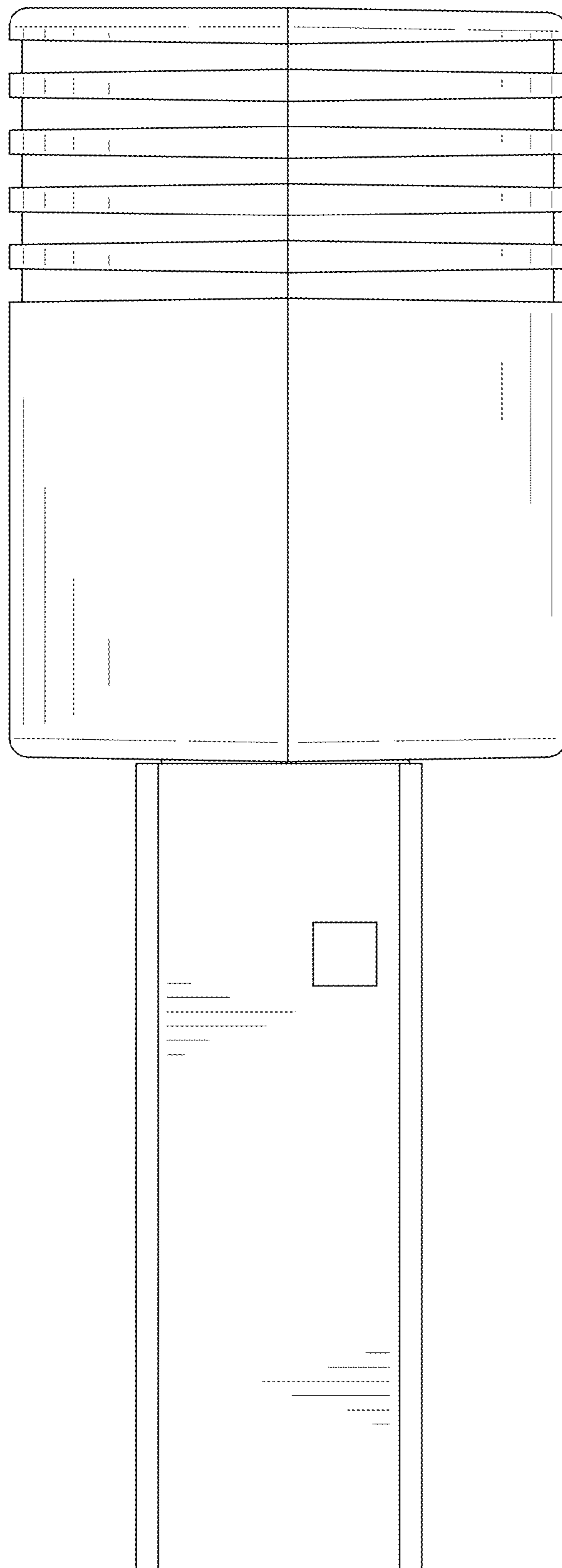


FIG. 6

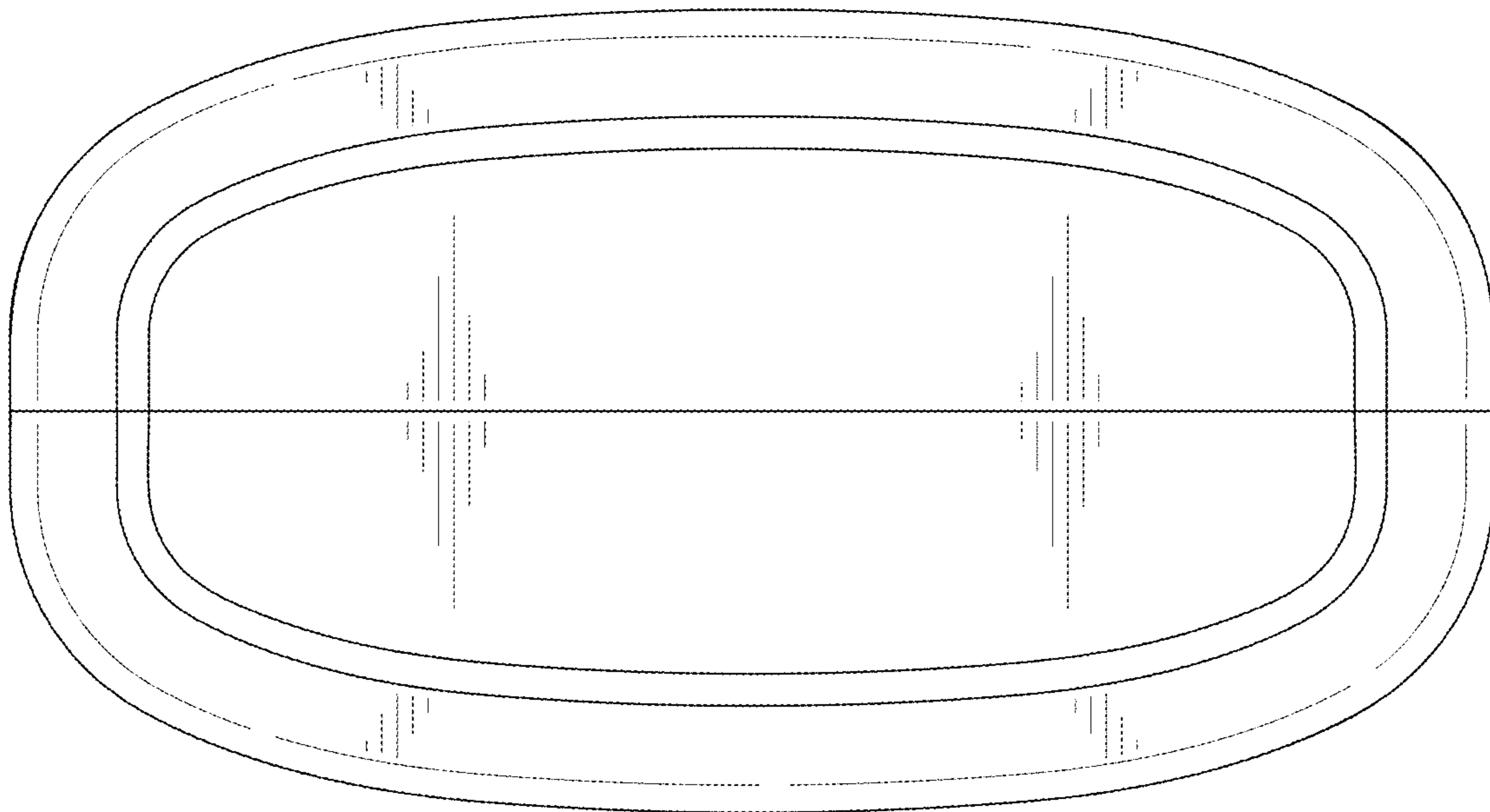


FIG. 7

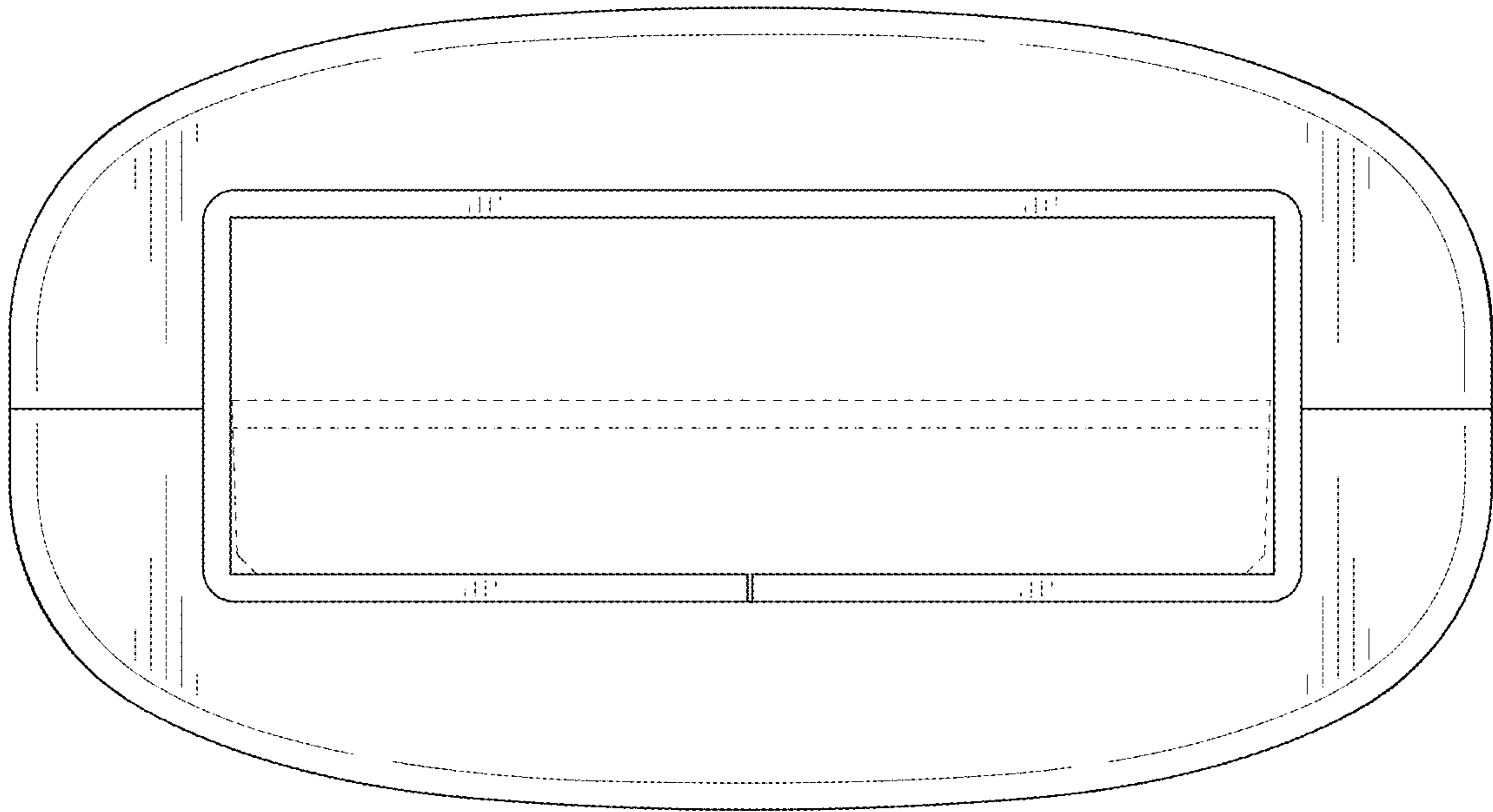


FIG. 8