



US00D948524S

(12) **United States Design Patent** (10) **Patent No.:** **US D948,524 S**
Jin (45) **Date of Patent:** **** Apr. 12, 2022**

(54) **MONITOR STAND**

(56) **References Cited**

(71) Applicant: **Shenzhen Prime Technology Co., Ltd,**
Shenzhen (CN)

U.S. PATENT DOCUMENTS

(72) Inventor: **WenWu Jin,** Shenzhen (CN)

D606,522 S *	12/2009	Le	D14/239
D620,943 S *	8/2010	Grey	D14/452
D627,787 S *	11/2010	Grey	D14/452
D634,328 S *	3/2011	Grey	D14/452
D641,369 S *	7/2011	Skull	D14/452
D650,373 S *	12/2011	Stemple	D14/239
D811,376 S *	2/2018	Pei	D14/239
D836,617 S *	12/2018	Shu	D14/239
D849,727 S *	5/2019	van Til	D14/239
D852,790 S *	7/2019	Pei	D14/239
D888,027 S *	6/2020	Pei	D14/239
D904,360 S *	12/2020	Pei	D14/239
2019/0390817 A1 *	12/2019	Pei	F16M 11/10

(**) Term: **15 Years**

(21) Appl. No.: **29/752,112**

(22) Filed: **Sep. 25, 2020**

(51) **LOC (13) Cl.** **14-02**

(52) **U.S. Cl.**
USPC **D14/452**

(58) **Field of Classification Search**

USPC D14/371-382, 125-129, 336, 337,
D14/447-452, 492, 335, 376-382, 239,
D14/457, 439-441, 432, 251-253;
D8/349, 354, 363, 373, 376, 380;
D21/333; D12/415; D3/218; 348/180,
348/184, 325, 739, 825

CPC G06F 3/0412; G06F 3/016; G06F 3/0488;
G06F 3/011; G06F 3/038; G06F 3/03543;
G06F 3/0338; G06F 3/0202; G06F
3/0219; G06F 3/0213; G06F 1/1616;
G06F 3/023; G06F 3/04883; G02F
1/13338; G02F 1/1313; G02F 1/1333;
G02F 1/135; G02F 1/132; G02F
1/133308; G02F 1/134309; G02F
1/13718; G09G 3/3648; G06K 15/1252;
B41J 2/465; G03F 7/70291; G02B
27/0172; G02B 5/30; G02B 2027/0118;
G02B 27/0101; F16M 13/02; F16M
13/00; F16M 11/10; F16M 11/04; F16M
2200/08; F16M 11/2021; A47B 21/0314;
A47B 88/044; A47B 2021/0335; H02G
3/126; F16B 47/00; F16B 47/006; A47G
1/17; A47K 2201/00

* cited by examiner

Primary Examiner — Katie Jane Stofko

(57) **CLAIM**

The ornamental design for a monitor stand, as shown and described.

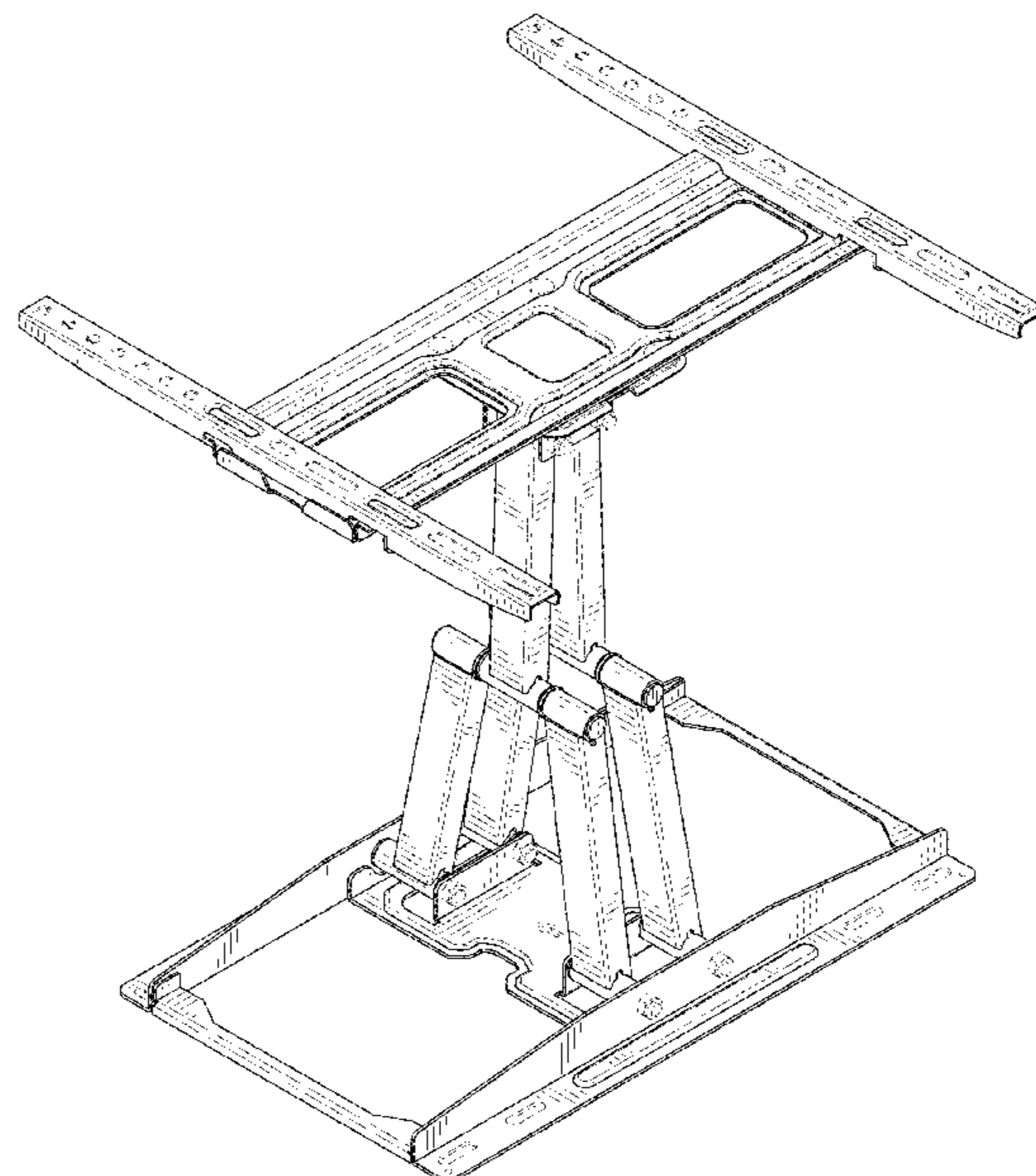
DESCRIPTION

FIG. 1 is a front, bottom, left side perspective view of a monitor stand;
FIG. 2 is a back, bottom, left side perspective view thereof;
FIG. 3 is a left side elevation view thereof;
FIG. 4 is a right side elevation view thereof;
FIG. 5 is a top plan view thereof;
FIG. 6 is a bottom plan view thereof;
FIG. 7 is a front elevation view thereof; and,
FIG. 8 is a back elevation view thereof.

The broken lines shown in the drawings depict portions of the monitor stand in which the design is embodied that form no part of the claimed design.

See application file for complete search history.

1 Claim, 8 Drawing Sheets



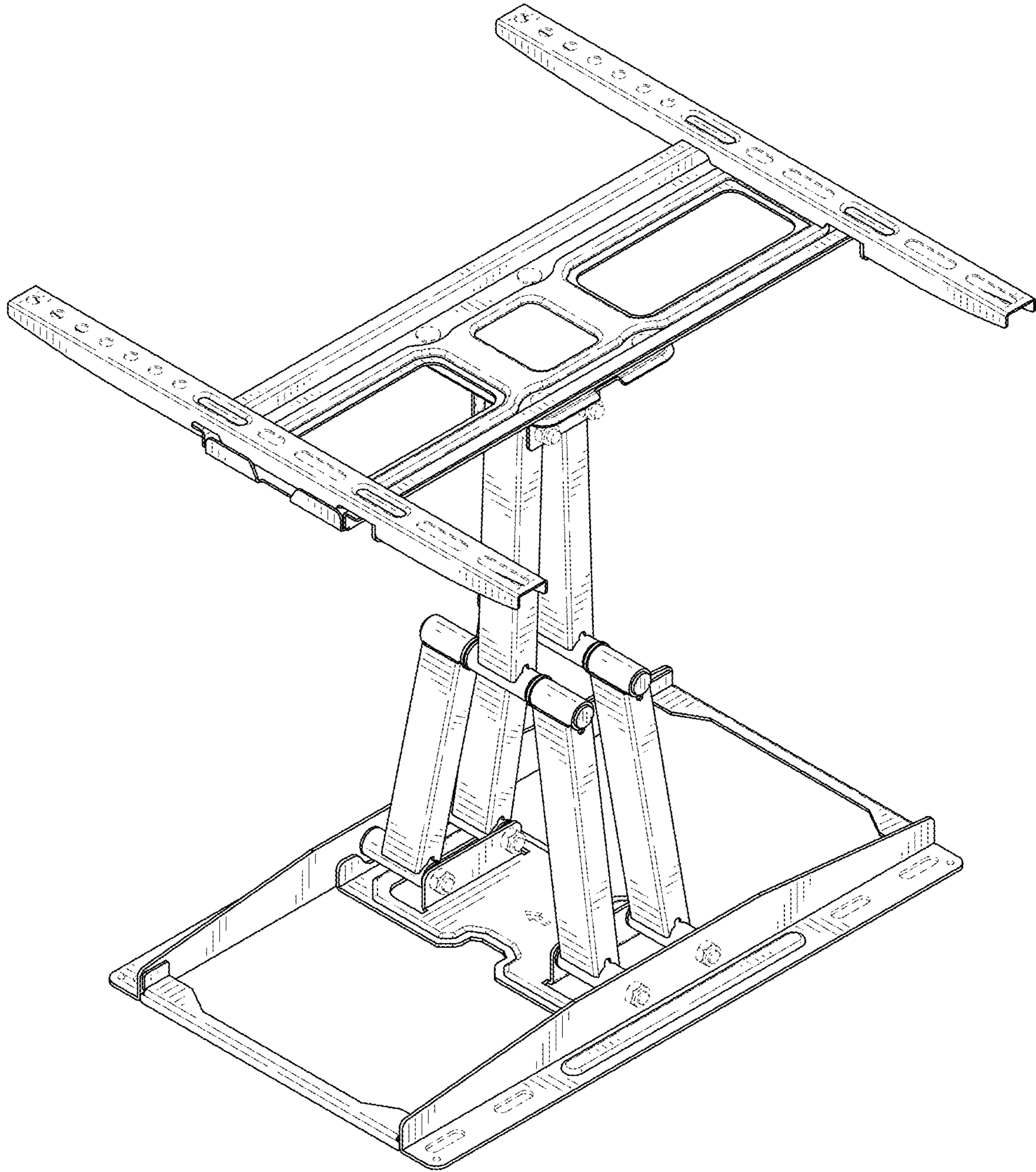


FIG. 1

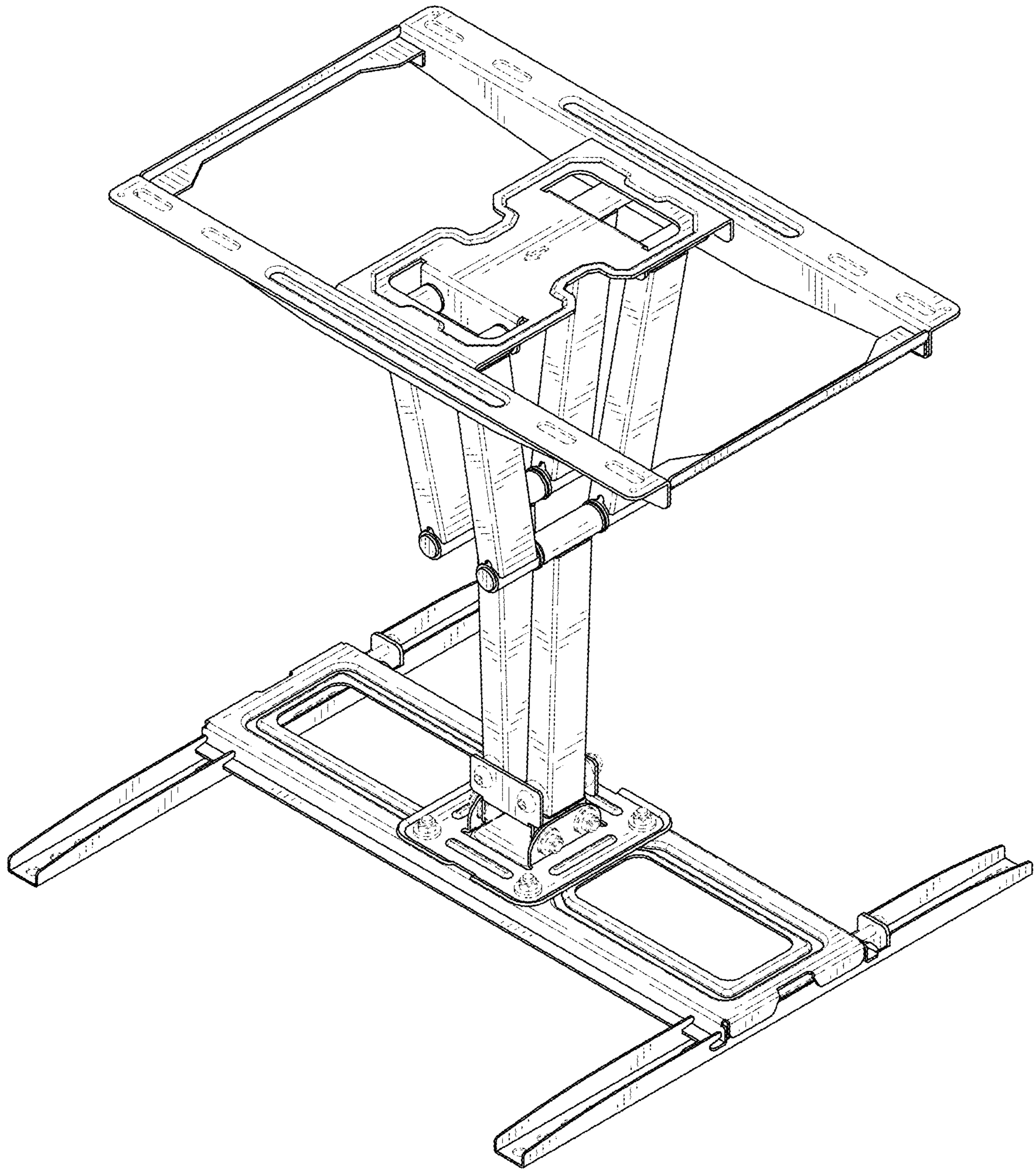


FIG. 2

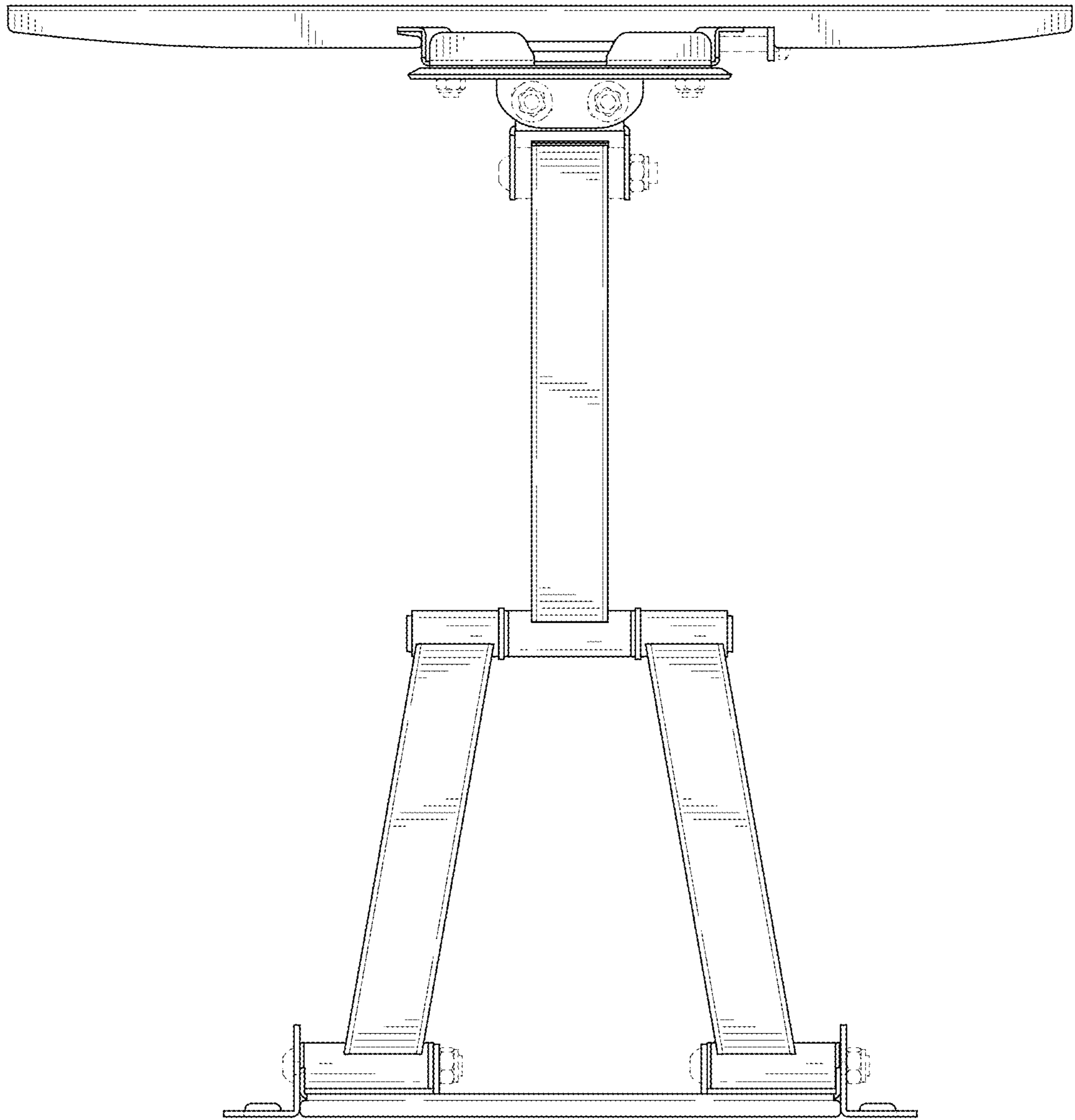


FIG. 3

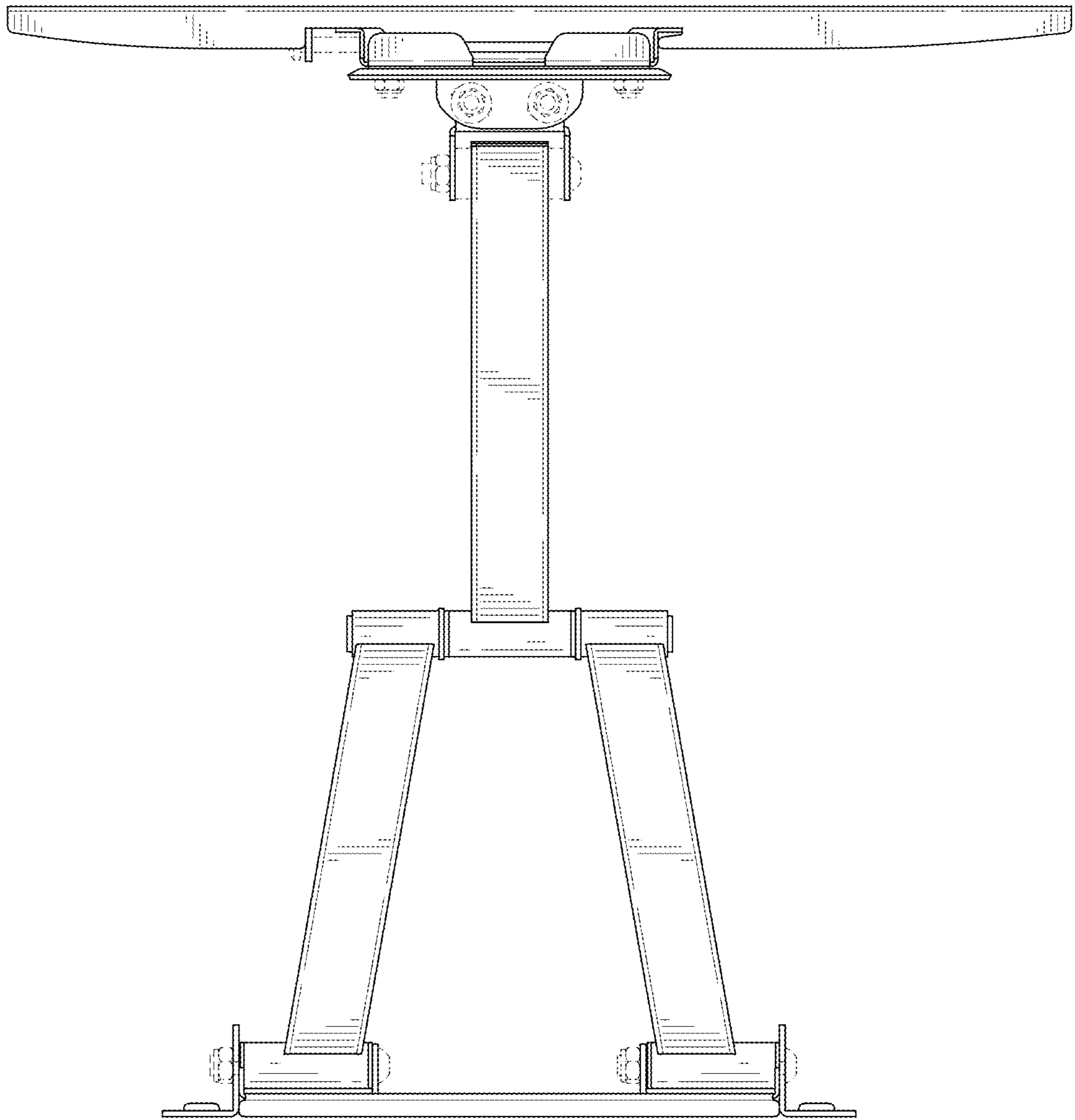


FIG. 4

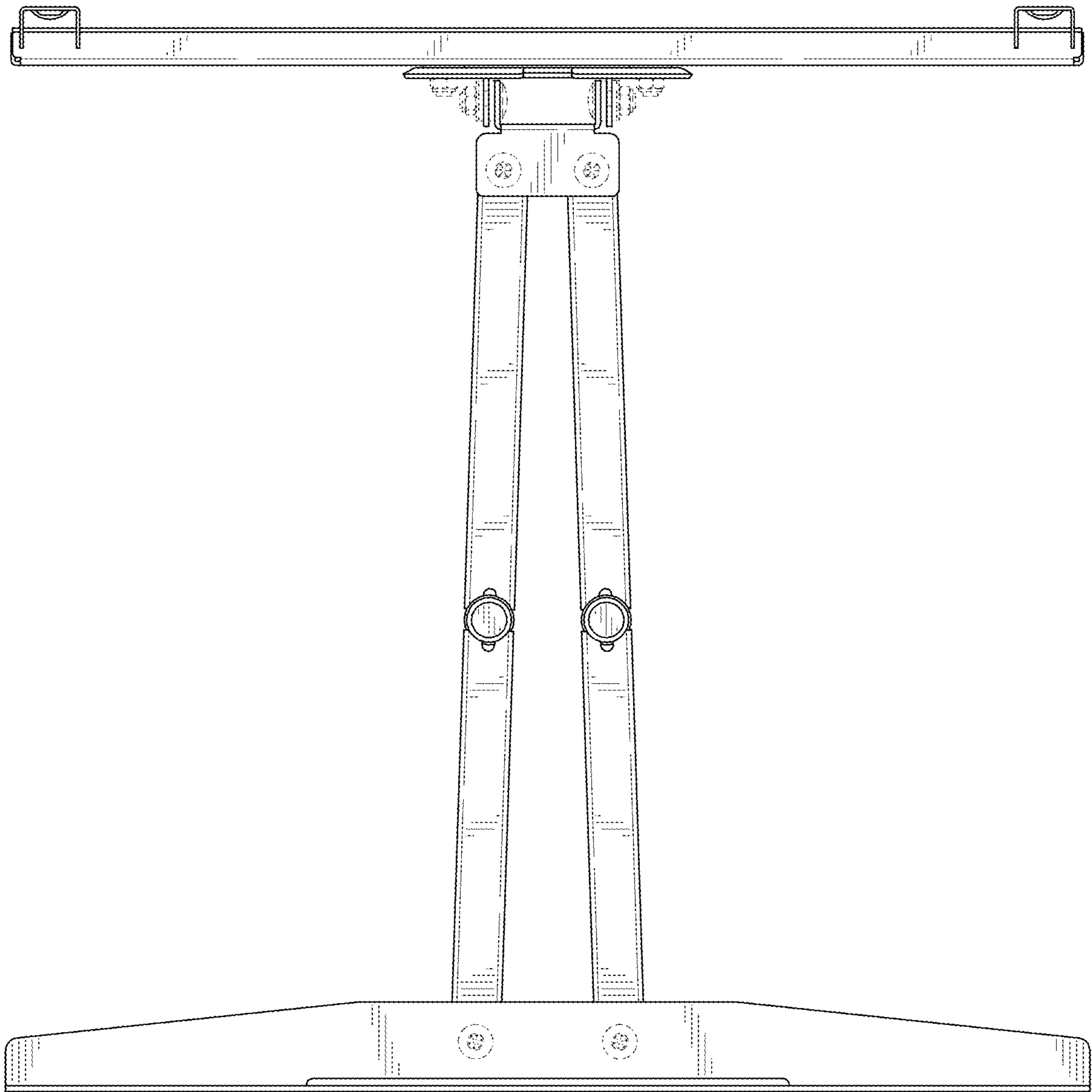


FIG. 5

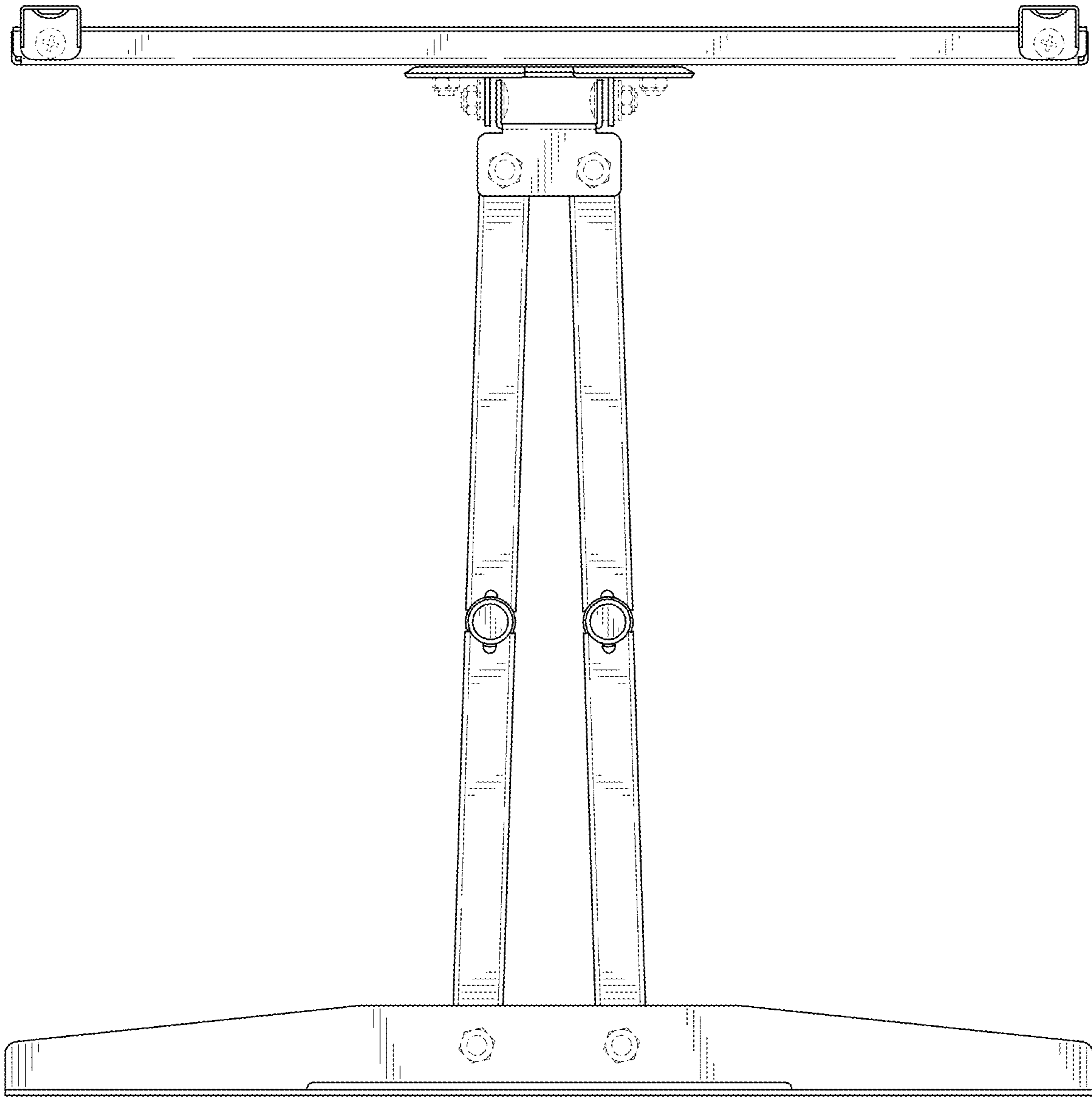


FIG. 6

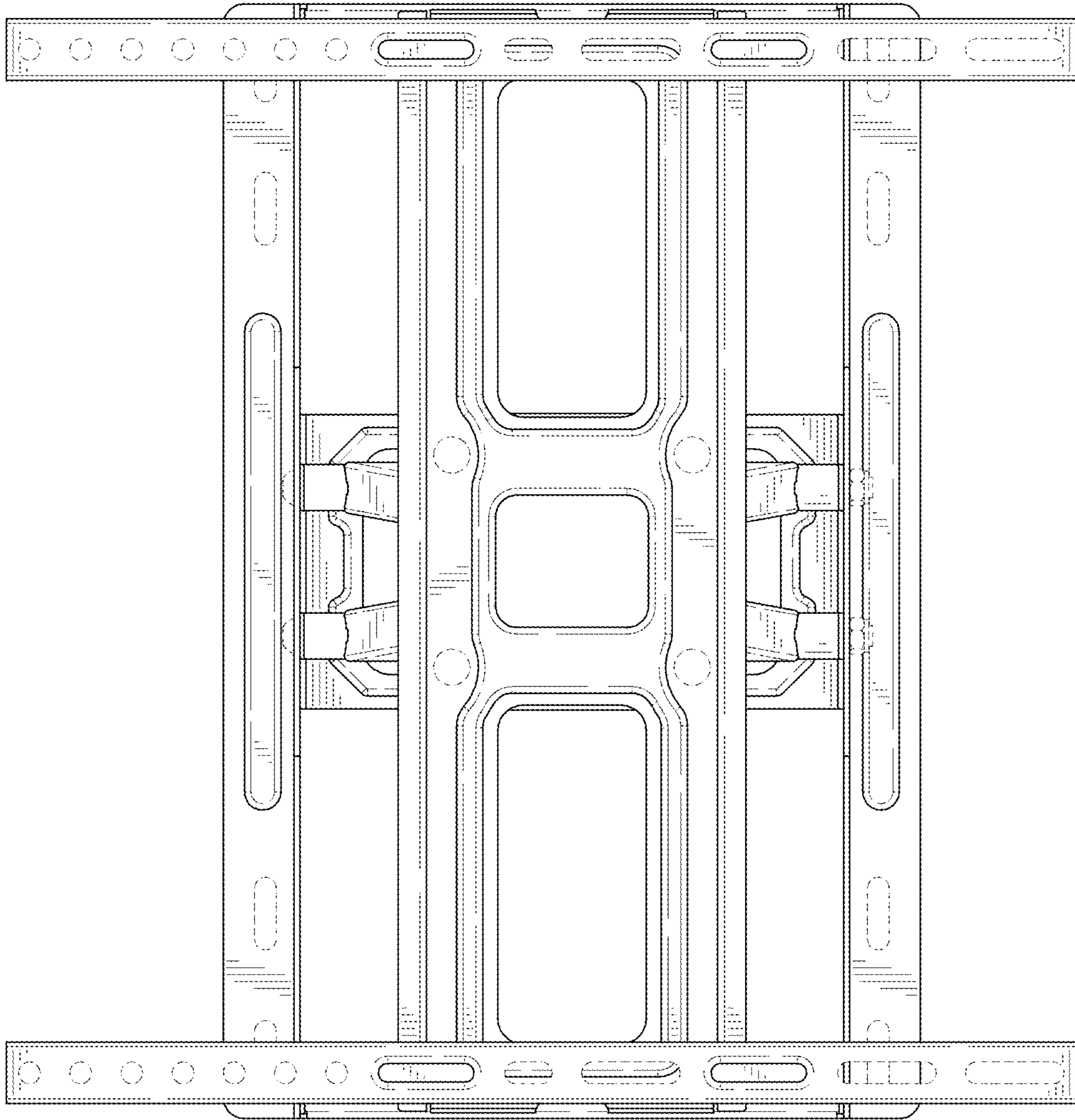


FIG. 7

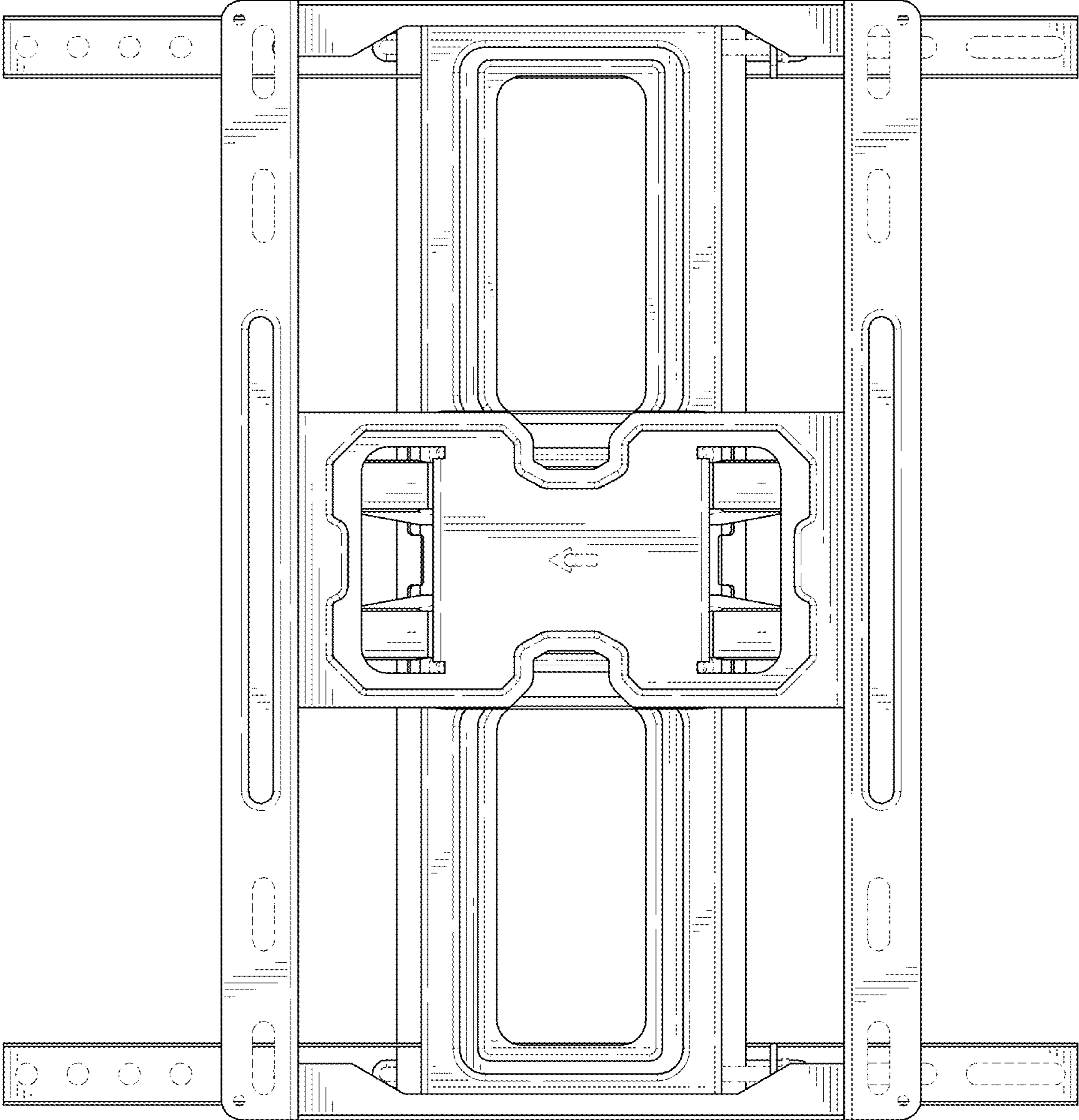


FIG. 8