



US00D948522S

(12) **United States Design Patent** (10) **Patent No.:** **US D948,522 S**
You (45) **Date of Patent:** **** Apr. 12, 2022**

(54) **MONITOR ARM**

(71) Applicant: **Ningbo Ergovida Health Technology Ltd., Ningbo (CN)**

(72) Inventor: **Xiaodong You, Ningbo (CN)**

(73) Assignee: **Ningbo Ergovida Health Technology Ltd., Ningbo (CN)**

(**) Term: **15 Years**

(21) Appl. No.: **29/730,398**

(22) Filed: **Apr. 3, 2020**

(51) **LOC (13) Cl.** **14-02**

(52) **U.S. Cl.**
 USPC **D14/452; D14/451**

(58) **Field of Classification Search**
 USPC D14/451–452; D8/380, 373, 352, 354,
 D8/363, 349; D12/415; D23/304
 CPC F16M 11/2085; F16M 11/2092; F16M
 11/2007; G06F 1/1616
 See application file for complete search history.

D666,207 S * 8/2012 Brandt D14/452
 8,366,060 B2 * 2/2013 Hung F16M 11/041
 248/124.1
 D679,282 S * 4/2013 Liu D14/452
 D688,674 S * 8/2013 Lau D14/452
 8,777,172 B2 * 7/2014 Sapper F16M 11/08
 248/274.1
 8,931,748 B2 * 1/2015 Bowman F16M 11/10
 248/280.11
 D740,830 S * 10/2015 Chu D14/452
 D745,873 S * 12/2015 Xiang D14/452
 D751,566 S * 3/2016 Anderson D14/452
 D762,652 S * 8/2016 Dorre D14/452
 D796,519 S * 9/2017 Hung D14/452
 D805,085 S * 12/2017 Xiang D14/452

(Continued)

Primary Examiner — Christian P. McLean
Assistant Examiner — Kourosch Taie-Tehrani
 (74) *Attorney, Agent, or Firm* — Knobbe Martens Olson & Bear LLP

(57) **CLAIM**

The ornamental design for a monitor arm, as shown and described.

DESCRIPTION

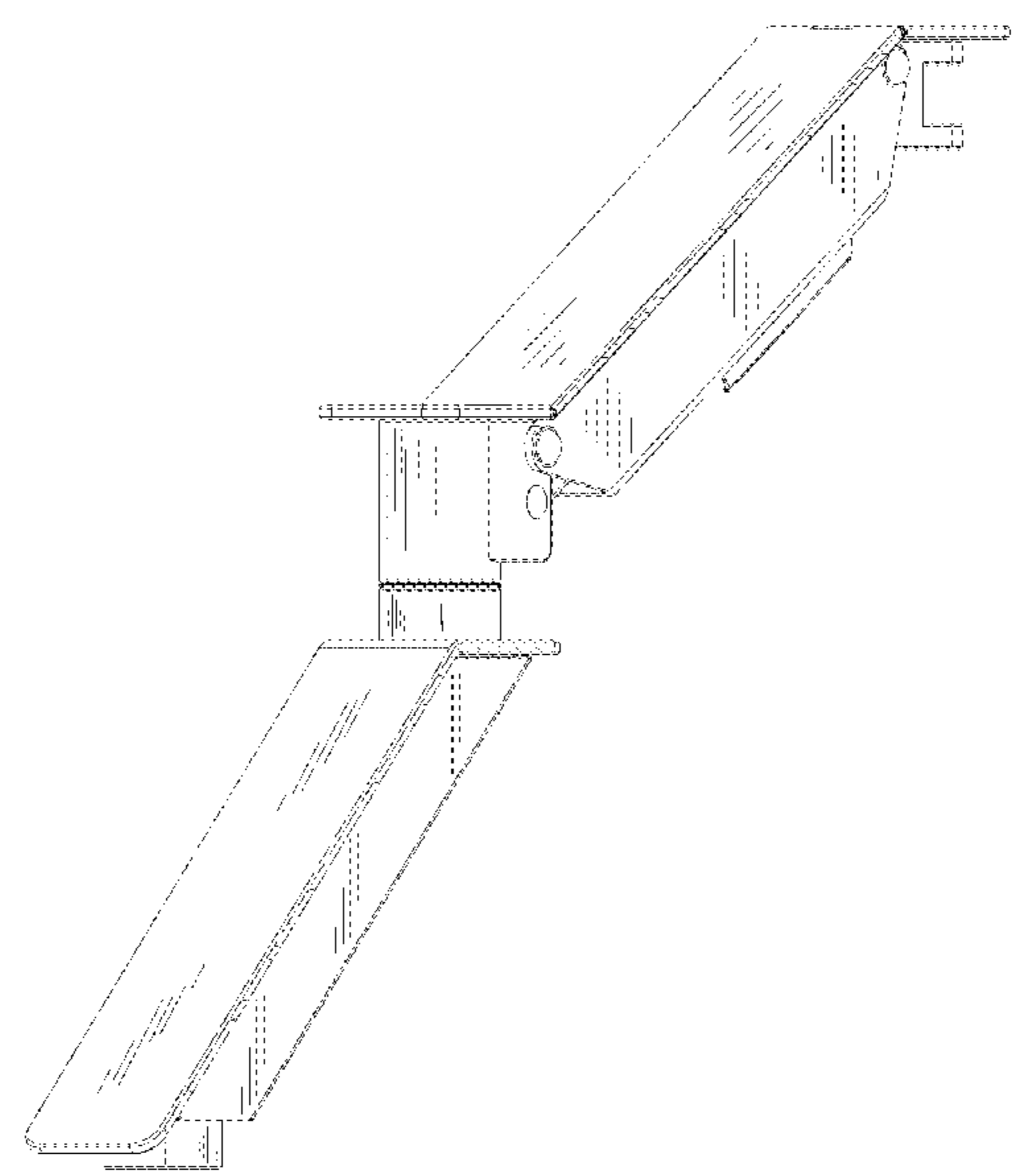
FIG. 1 is a back perspective view of the monitor arm embodying the new design;
 FIG. 2 is a front perspective view thereof;
 FIG. 3 is a left side view thereof;
 FIG. 4 is a right side view thereof;
 FIG. 5 is a back view thereof;
 FIG. 6 is a front view thereof;
 FIG. 7 is a top view thereof; and
 FIG. 8 is a bottom view thereof; and,
 FIG. 9 is another perspective view thereof, further illustrating monitor and desk attachment mechanisms.
 Broken lines are used to illustrate features of the monitor arm that form no part of the claimed design.

1 Claim, 9 Drawing Sheets

(56) **References Cited**

U.S. PATENT DOCUMENTS

6,695,270 B1 * 2/2004 Smed G06F 1/1601
 248/274.1
 D555,657 S * 11/2007 Loyd D14/452
 D557,125 S * 12/2007 Worrall D14/452
 7,338,022 B2 * 3/2008 Hung F16M 11/041
 248/278.1
 7,389,965 B2 * 6/2008 Oddsen, Jr. F16M 11/10
 248/274.1
 D598,917 S * 8/2009 Luber D14/375
 7,694,927 B2 * 4/2010 Chuang F16M 11/041
 248/276.1
 D631,052 S * 1/2011 Hung D14/452
 8,070,114 B2 * 12/2011 Chen F16M 11/14
 248/121
 D654,503 S * 2/2012 Sapper D14/452



(56)

References Cited

U.S. PATENT DOCUMENTS

D807,373	S *	1/2018	Thetard	D14/452
D815,105	S *	4/2018	Jung	D14/452
D815,643	S *	4/2018	Bowman	D14/452
D822,671	S *	7/2018	Chu	D14/452
D830,371	S *	10/2018	Lau	D14/452
D834,030	S *	11/2018	Lindo	D14/452
D842,306	S *	3/2019	Lindo	D14/452
D843,379	S *	3/2019	Lindo	D14/452
D843,380	S *	3/2019	Lindo	D14/452
D847,823	S *	5/2019	Monsalve	D14/452
D848,444	S *	5/2019	Jung	D14/452
D849,013	S *	5/2019	Monsalve	D14/452
D877,744	S *	3/2020	Xiang	D14/452
D896,817	S *	9/2020	McKay	D14/452
D897,541	S *	9/2020	Borloz	D24/184
D916,709	S *	4/2021	Hung	D14/452
D918,218	S *	5/2021	Lyu	D14/452
D919,631	S *	5/2021	Shu	D14/452
D920,988	S *	6/2021	Shu	D14/452
D921,645	S *	6/2021	Shu	D14/452
D922,364	S *	6/2021	Shu	D14/239
D922,394	S *	6/2021	Lu	D14/452
D926,196	S *	7/2021	Lyu	D14/452
D926,776	S *	8/2021	You	D14/452
D928,793	S *	8/2021	Shu	D14/452
2007/0040084	A1 *	2/2007	Sturman	F16M 11/041 248/280.11
2008/0029661	A1 *	2/2008	Chen	F16M 11/105 248/176.1
2011/0303805	A1 *	12/2011	Lau	F16M 11/126 248/125.8
2017/0191607	A1 *	7/2017	Huang	F16M 11/10
2019/0295446	A1 *	9/2019	Hung	F16M 13/02
2020/0063911	A1 *	2/2020	Xiang	F16M 11/10

* cited by examiner

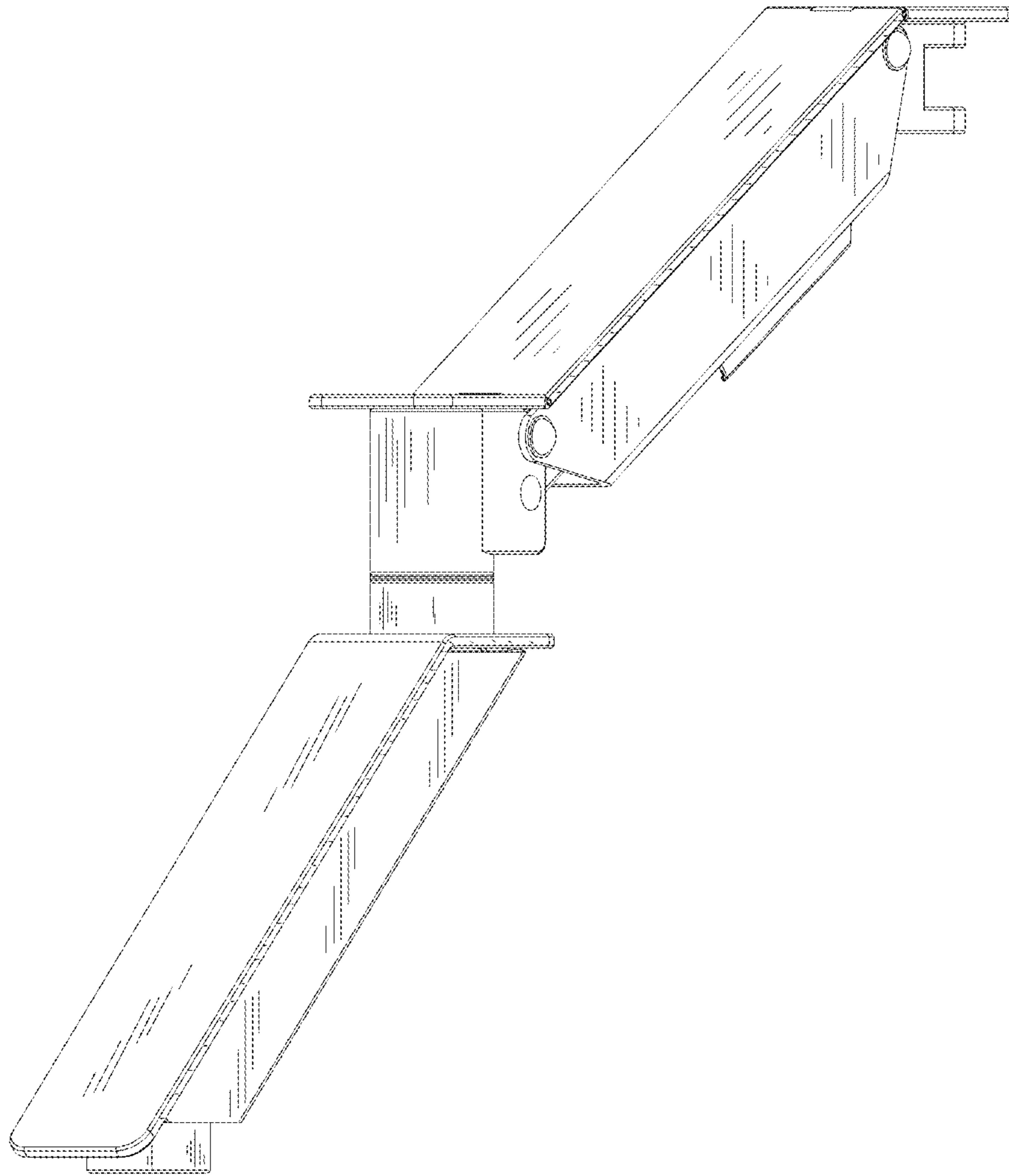


Fig. 1

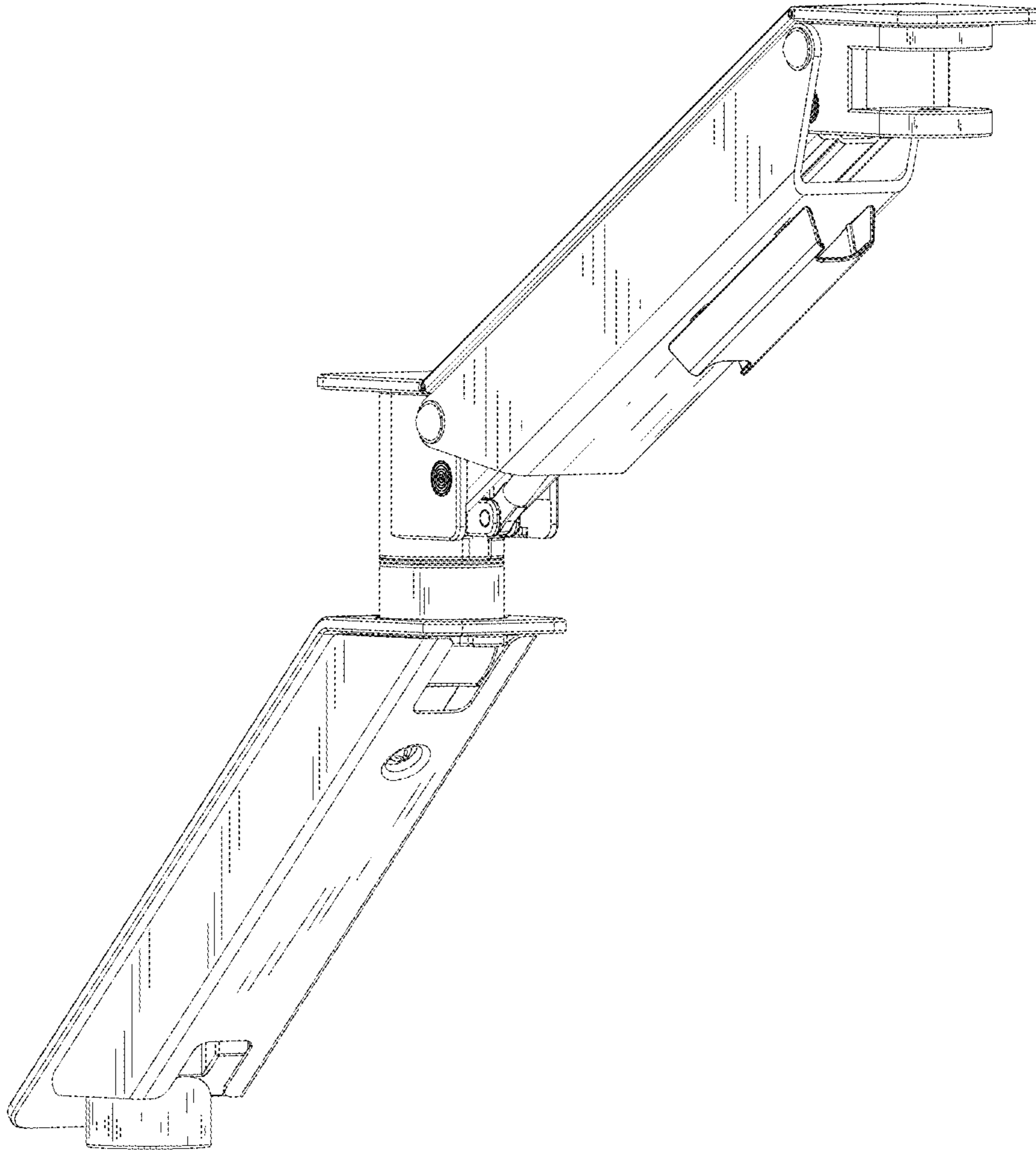


Fig. 2

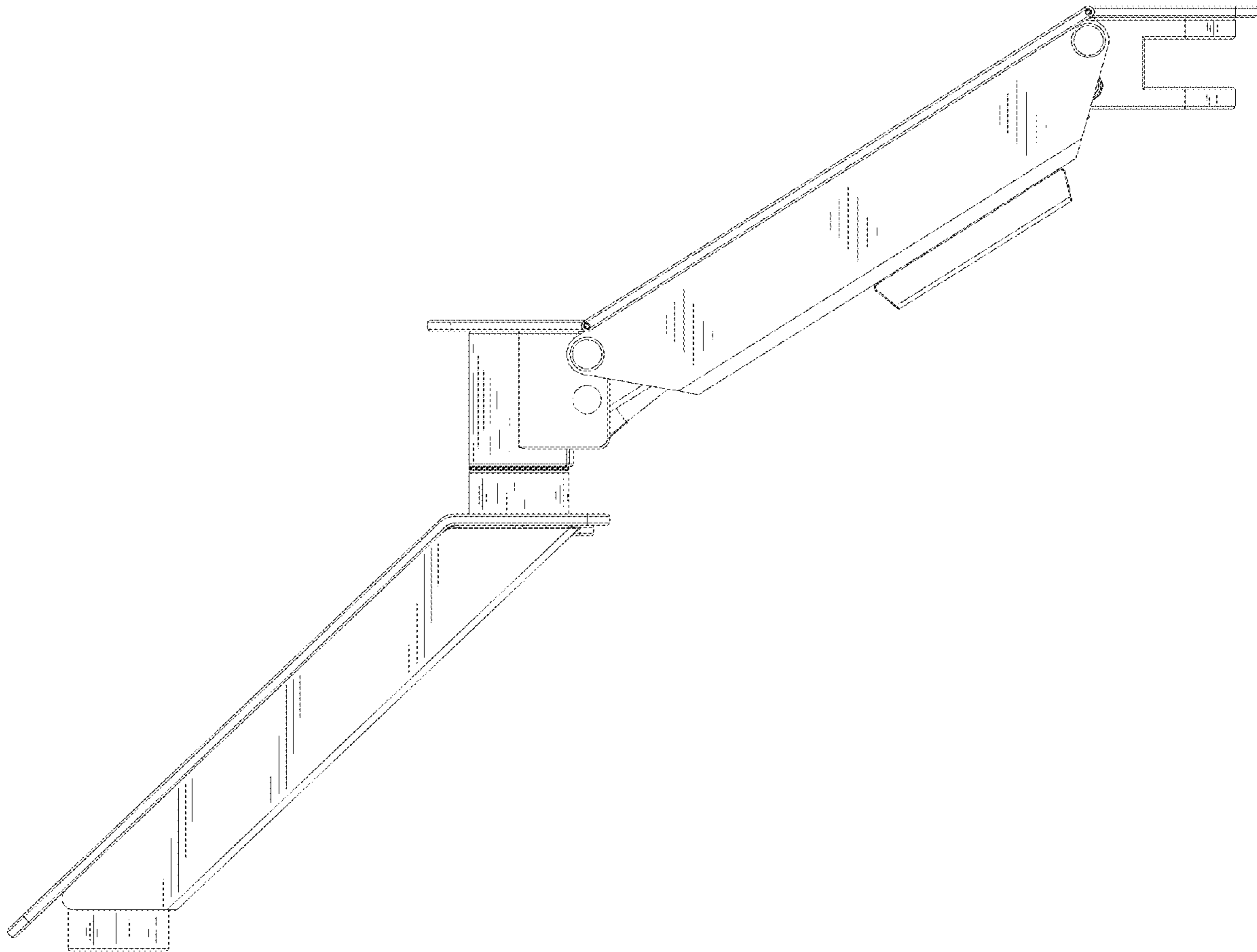


Fig. 3

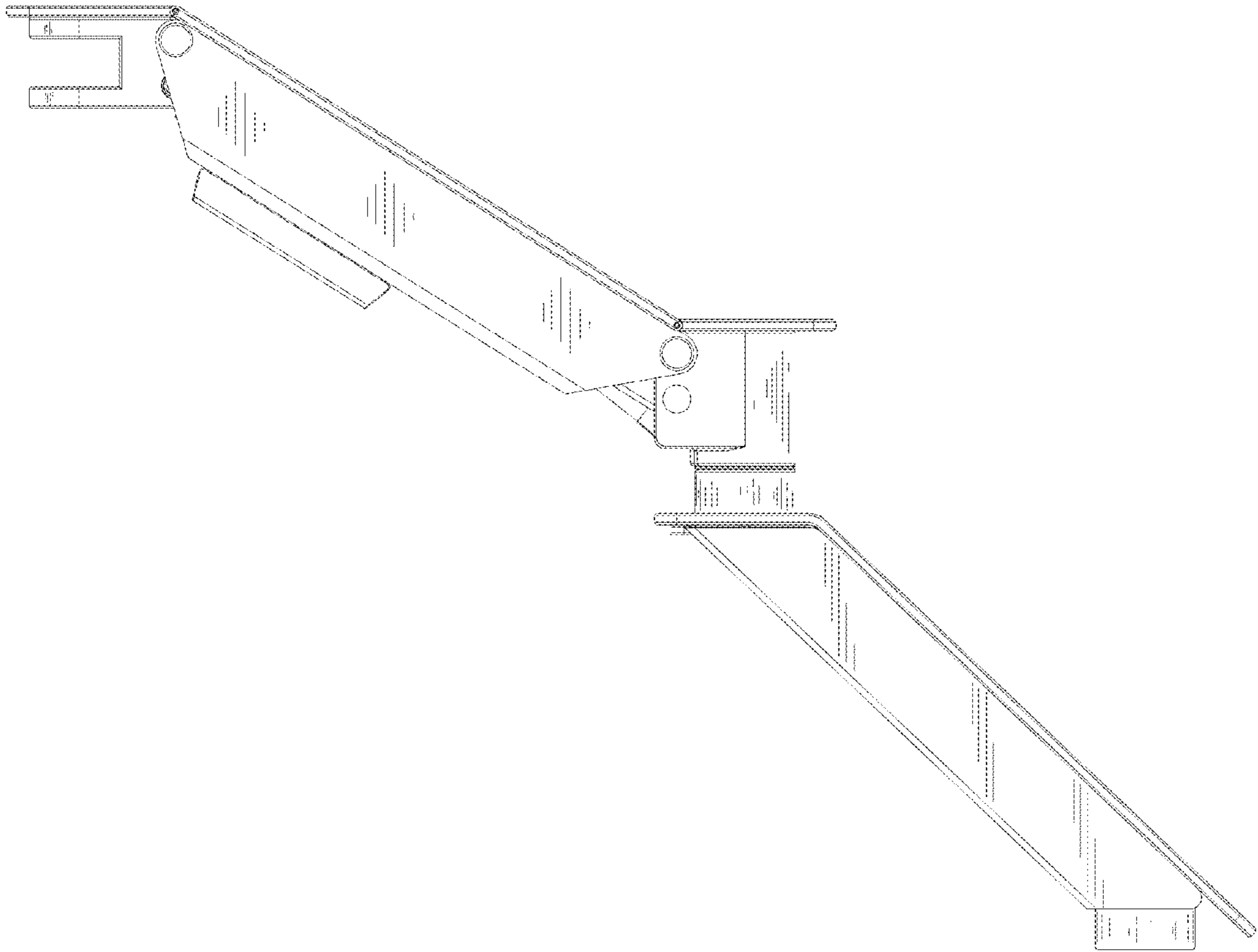


Fig. 4

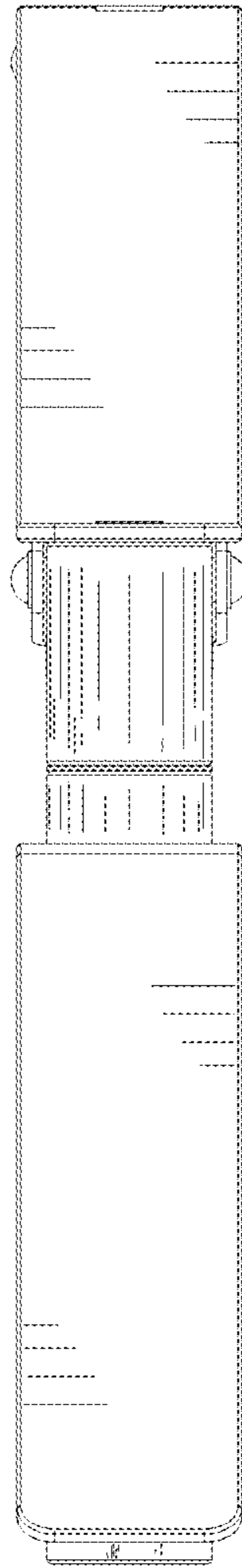


Fig. 5

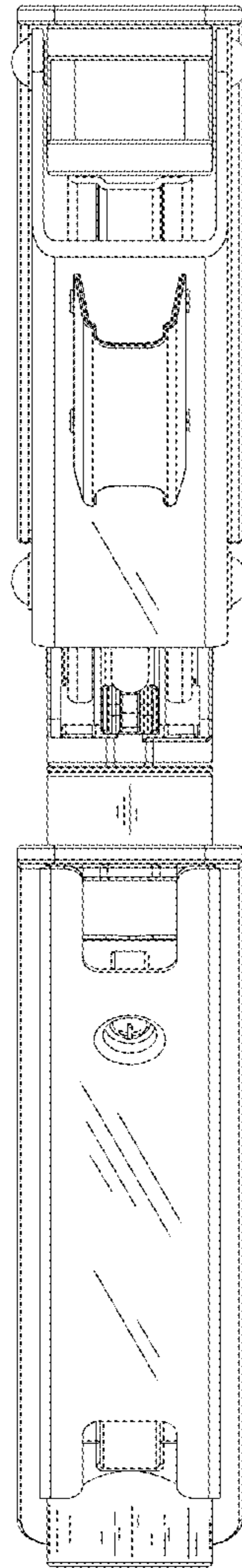


Fig. 6

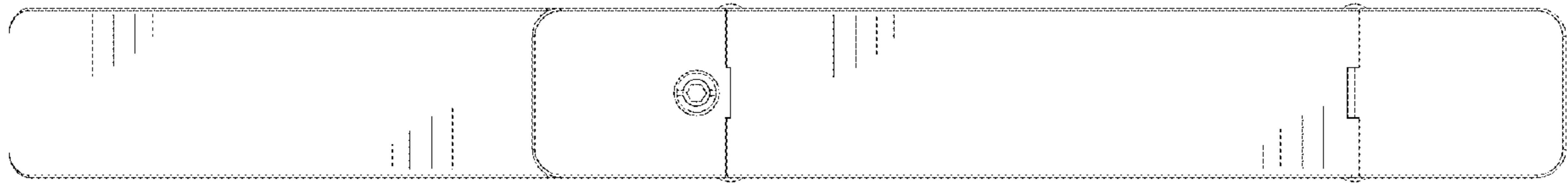


Fig. 7

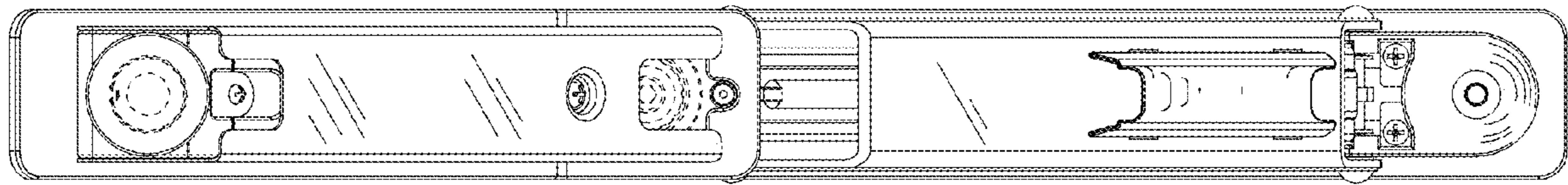


Fig. 8

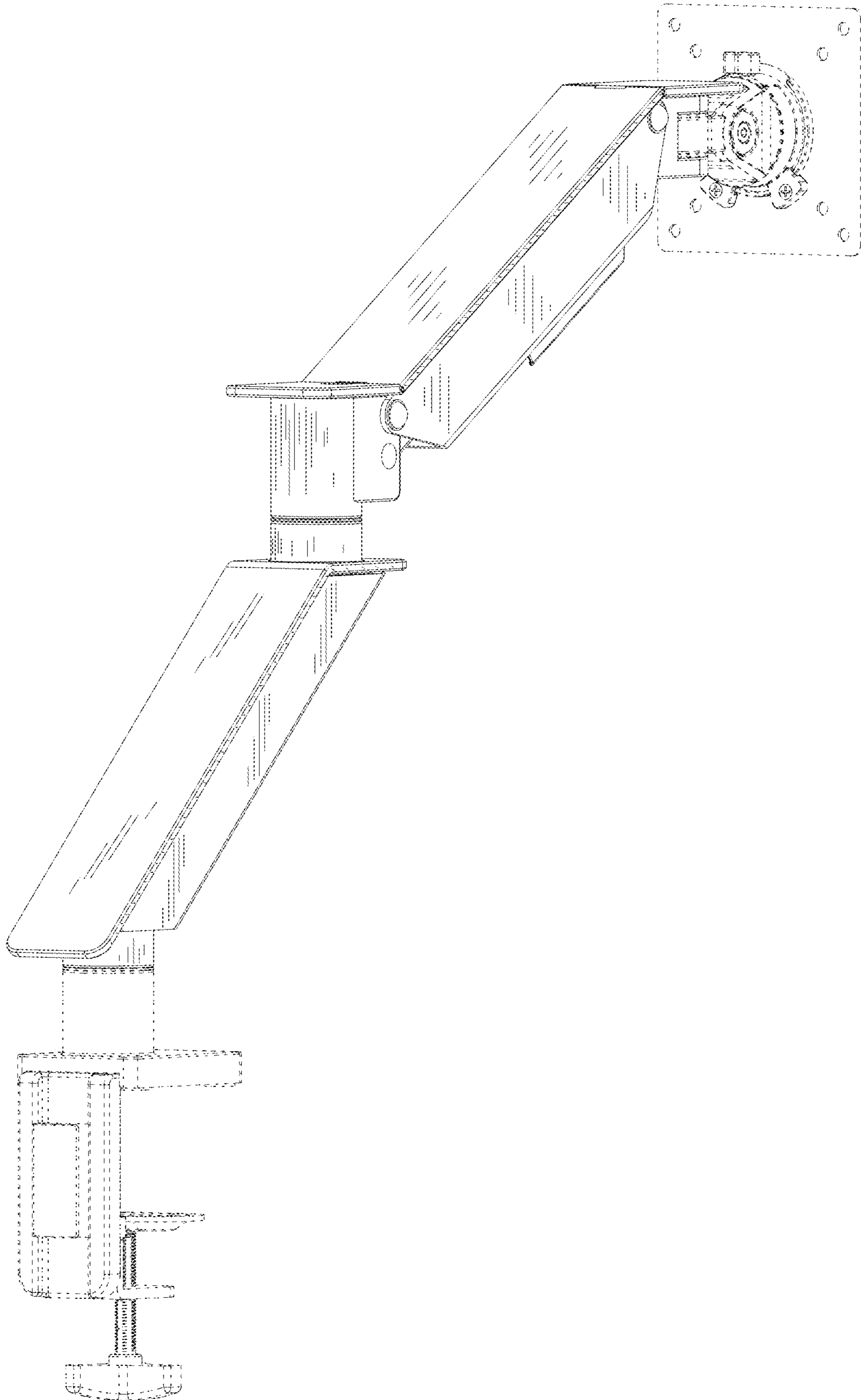


Fig. 9