



US00D948520S

(12) **United States Design Patent** (10) **Patent No.:** **US D948,520 S**  
**Park et al.** (45) **Date of Patent:** **\*\* Apr. 12, 2022**

(54) **STAND FOR MONITOR** D760,723 S \* 7/2016 Won ..... D14/447  
D762,650 S \* 8/2016 Dang ..... D14/434  
(71) Applicant: **LG ELECTRONICS INC.**, Seoul D854,540 S \* 7/2019 Kim ..... D14/336  
(KR) D857,695 S \* 8/2019 Kim ..... D14/374  
(72) Inventors: **Seongyeong Park**, Seoul (KR); D869,414 S \* 12/2019 Kim ..... D14/126  
**Hyeongyeol Kim**, Seoul (KR); 2003/0075649 A1 \* 4/2003 Jeong ..... F16M 11/2064  
**Daihyung Ryu**, Seoul (KR) 248/157  
2006/0076463 A1 \* 4/2006 Drew ..... F16M 11/105  
248/121  
(73) Assignee: **LG ELECTRONICS INC.**, Seoul 2012/0320513 A1 \* 12/2012 Truong ..... F16M 11/10  
(KR) 361/679.22

(Continued)

(\*\*) Term: **15 Years**

(21) Appl. No.: **35/510,793**

(22) Filed: **May 20, 2020**

(80) **Hague Agreement Data**

Int. Filing Date: **May 20, 2020**  
Int. Reg. No.: **DM/208403**  
Int. Reg. Date: **May 20, 2020**  
Int. Reg. Pub. Date: **Nov. 20, 2020**

(30) **Foreign Application Priority Data**

Dec. 6, 2019 (KR) ..... 30-2019-0058988

(51) **LOC (13) Cl.** ..... **14-02**

(52) **U.S. Cl.**  
USPC ..... **D14/451**

(58) **Field of Classification Search**  
USPC ..... D14/125-129, 132, 239, 336, 341,  
D14/373-377, 380, 451  
CPC ..... G06F 1/1601; G06F 1/1605; G06F 1/162  
See application file for complete search history.

(56) **References Cited**

**U.S. PATENT DOCUMENTS**

D295,415 S \* 4/1988 Thies ..... D14/452  
D588,141 S \* 3/2009 Heggland ..... D14/434  
D732,029 S \* 6/2015 Huh ..... D14/374

**OTHER PUBLICATIONS**

Review: 23.7-inch LG UltraFine Display, publication date May 24, 2019, [online] URL: <https://9to5mac.com/2019/05/24/lg-ultrafine-display-review-2019-two-thunderbolt-3-ports-video/> (Year: 2019).\*

(Continued)

*Primary Examiner* — L. A. Grabenstetter  
(74) *Attorney, Agent, or Firm* — Birch, Stewart, Kolasch & Birch, LLP

(57) **CLAIM**

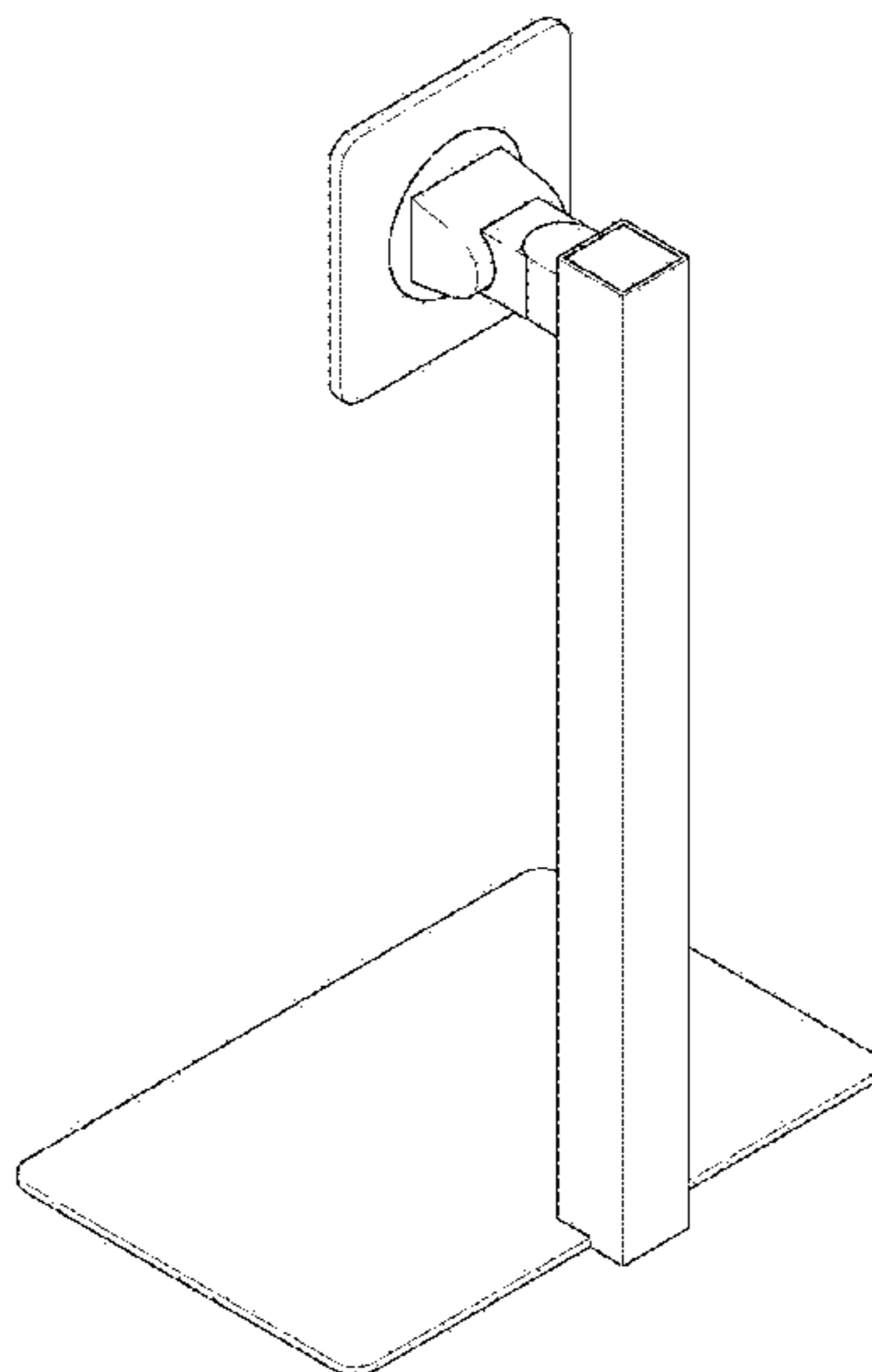
The ornamental design for a stand for monitor, as shown and described.

**DESCRIPTION**

- 1. Stand for monitor
- 1.1 : Front Perspective
- 1.2 : Rear perspective
- 1.3 : Front
- 1.4 : Rear
- 1.5 : Left
- 1.6 : Right
- 1.7 : Top
- 1.8 : Bottom

The broken lines indicate portions of the article that form no part of the claimed design.

**1 Claim, 8 Drawing Sheets**



(56)

**References Cited**

U.S. PATENT DOCUMENTS

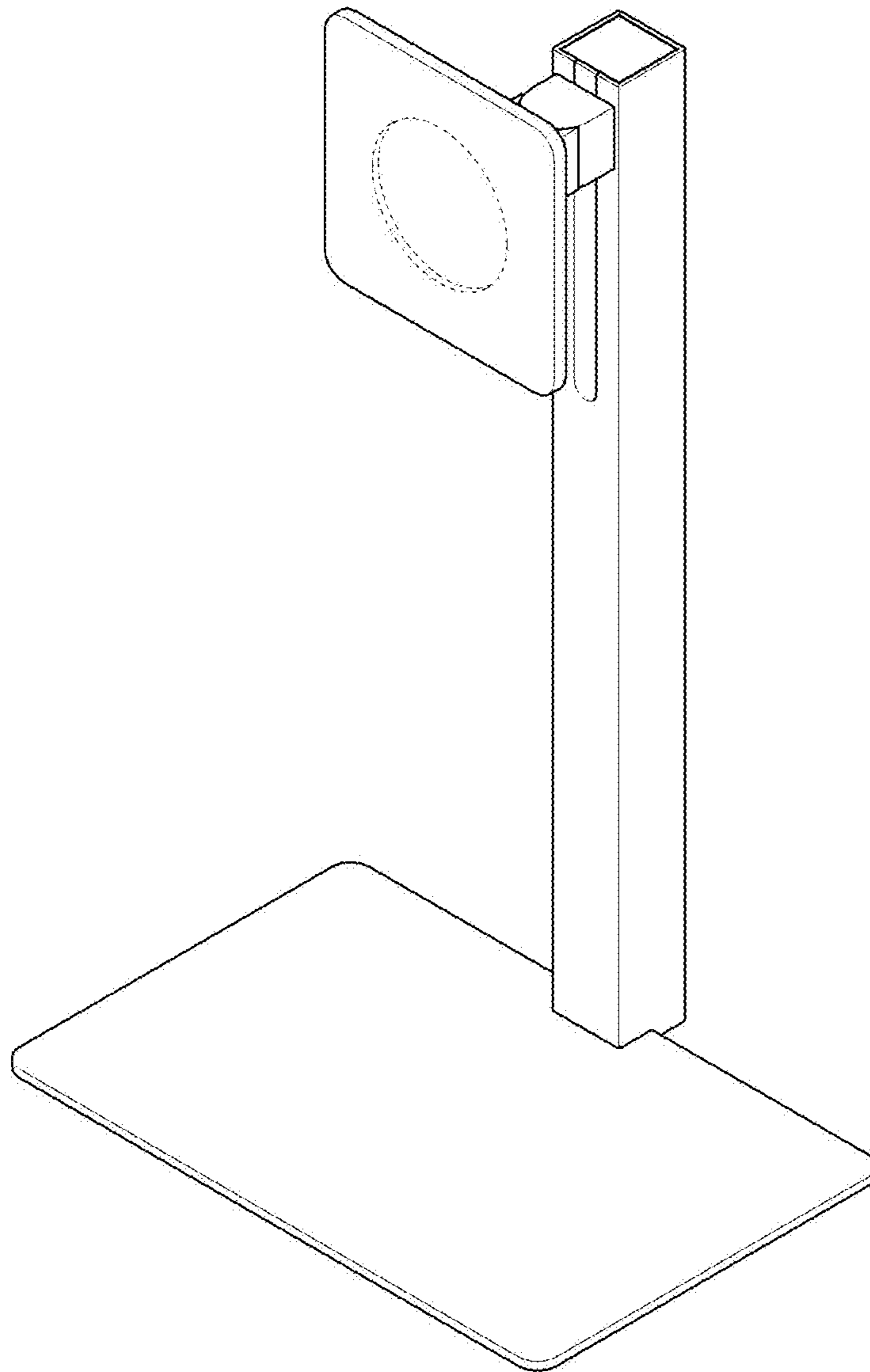
2013/0075546 A1\* 3/2013 Peng ..... F16M 11/28  
248/125.1

OTHER PUBLICATIONS

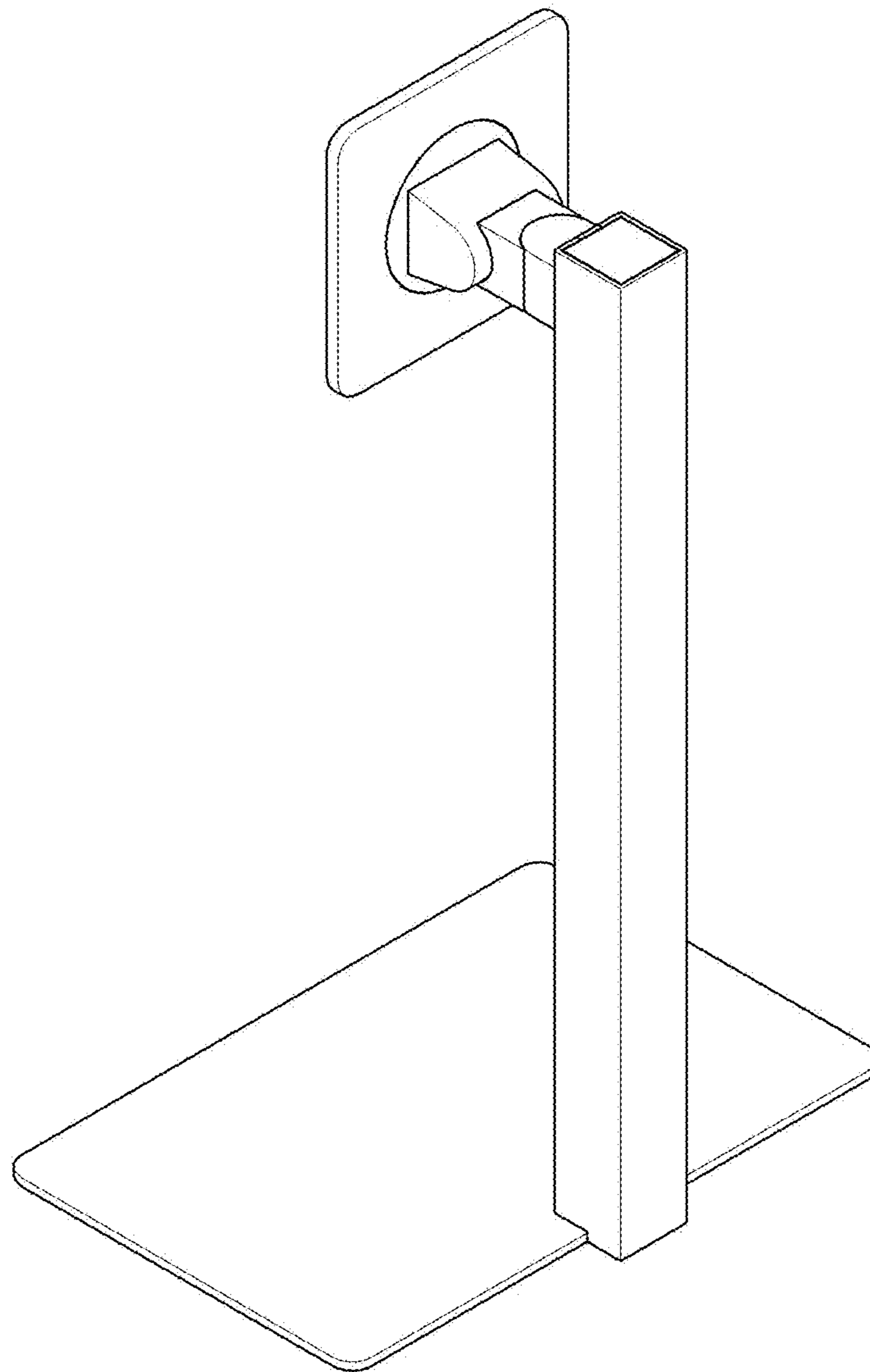
Lenovo IdeaCentre AIO 910 Product Tour, publication date May 11,  
2016, [online] URL: <https://www.youtube.com/watch?v=rirBQwXf498> (Year: 2016).\*

\* cited by examiner

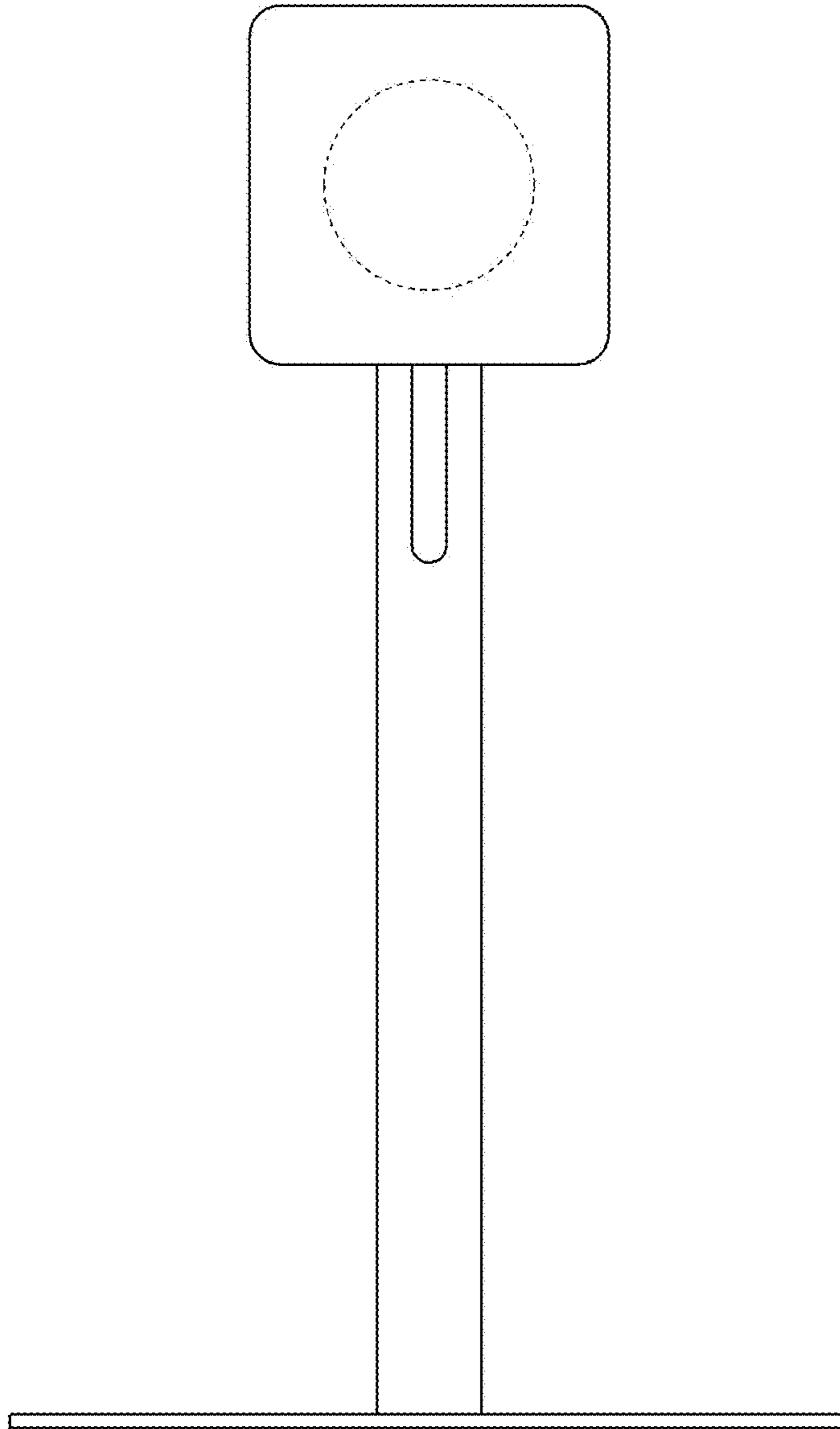
1.1



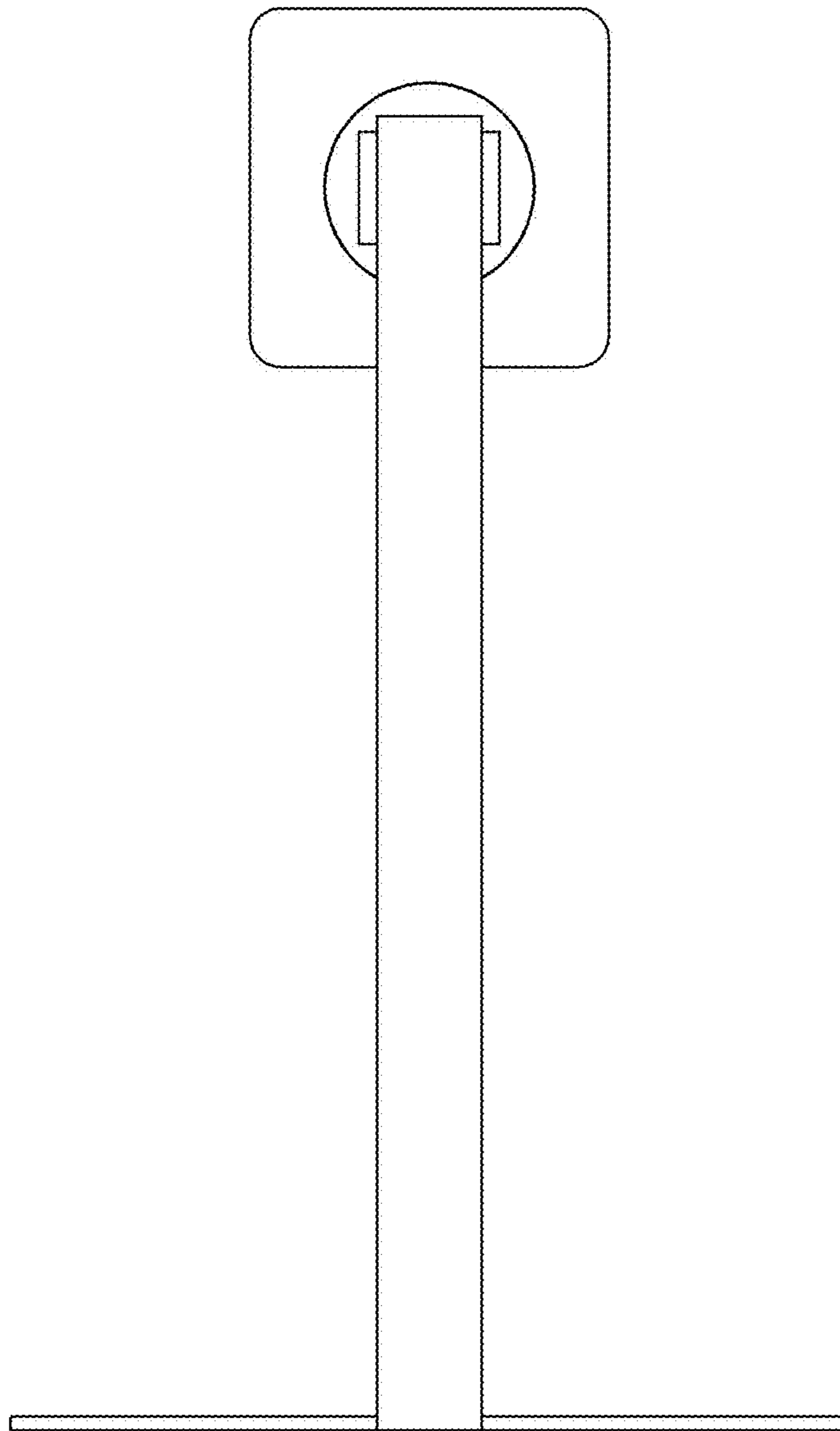
1.2



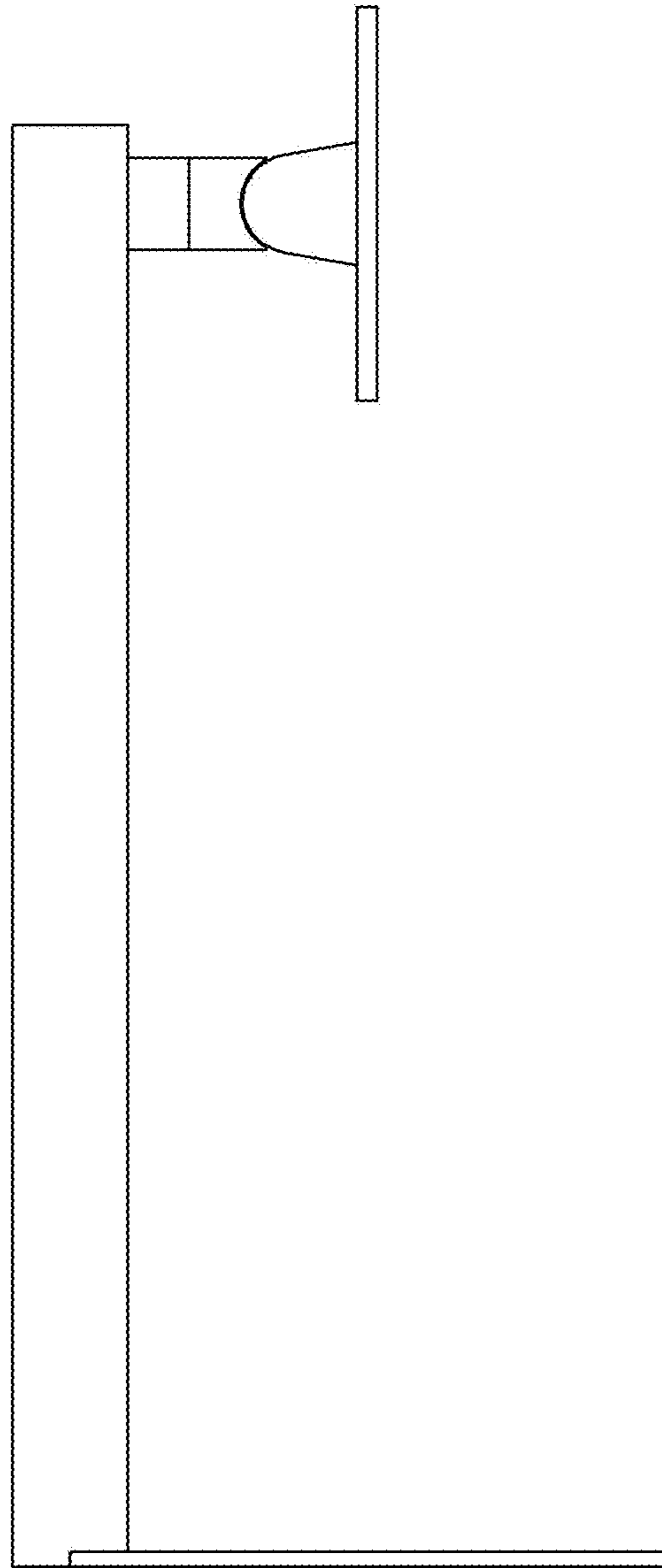
1.3



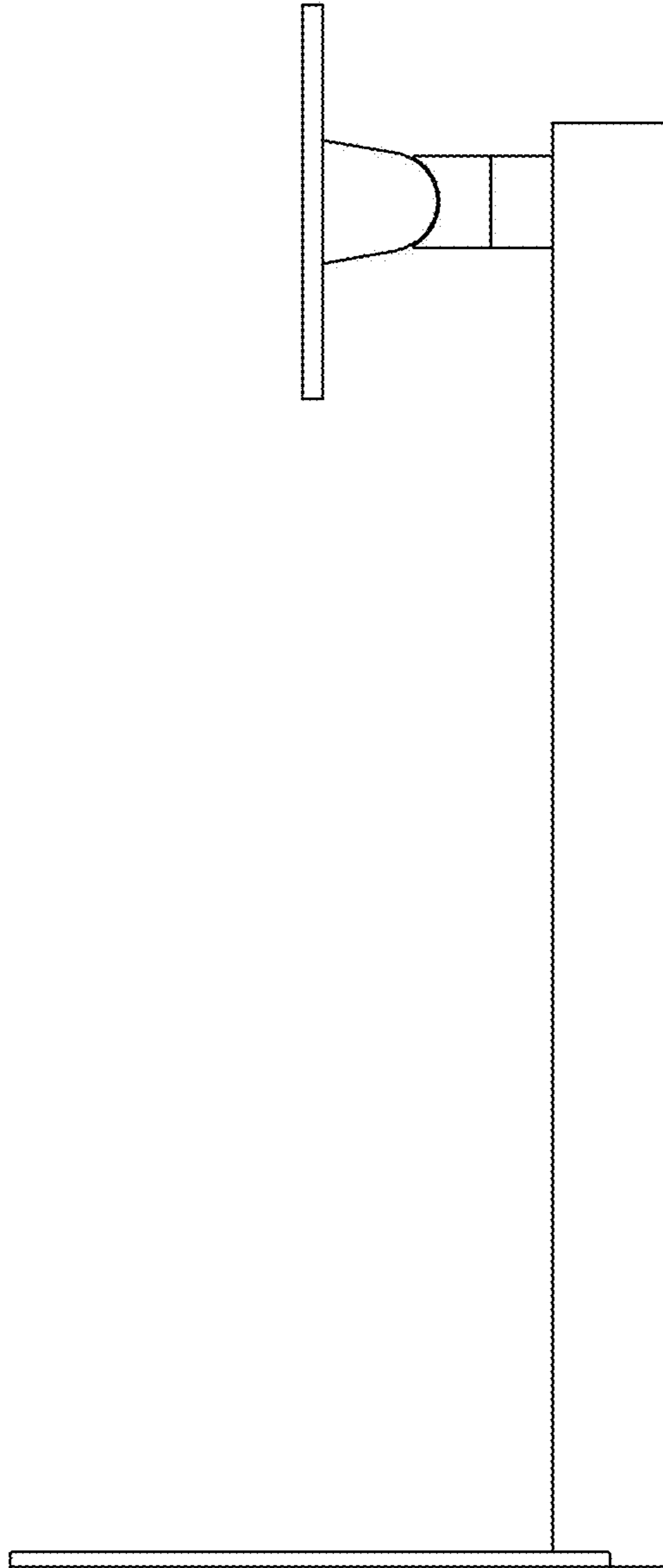
1.4



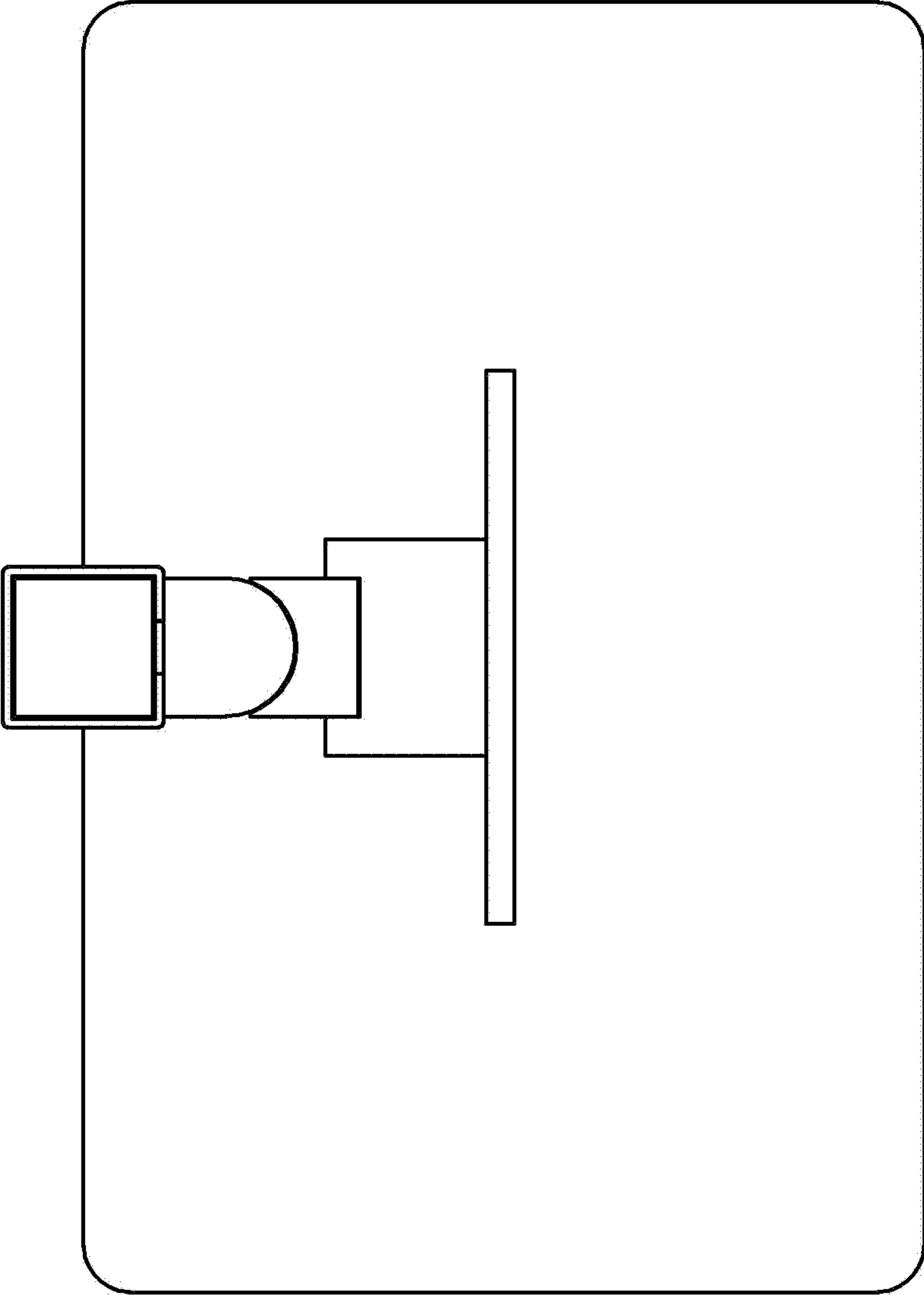
1.5



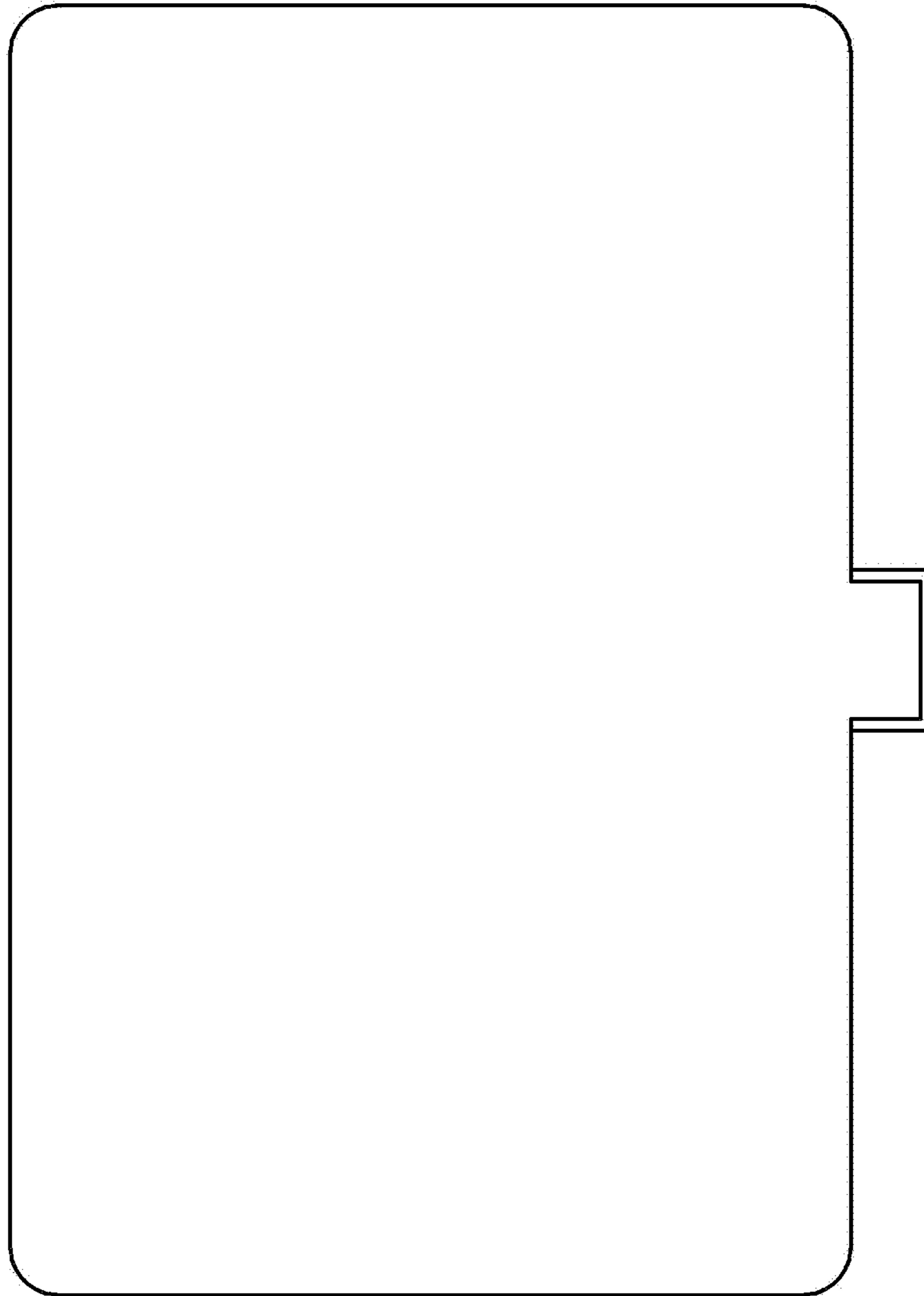
1.6







1.7



1.8