



US00D948519S

(12) **United States Design Patent**
Zhou

(10) **Patent No.:** **US D948,519 S**
(45) **Date of Patent:** **** Apr. 12, 2022**

(54) **COOLING PANEL**

(71) Applicant: **Shenzhen Guanyi Industrial Design Co., Ltd.**, Guangdong (CN)

(72) Inventor: **Lihua Zhou**, Guangdong (CN)

(73) Assignee: **Shenzhen Guanyi Industrial Design Co., Ltd.**, Shenzhen (CN)

(**) Term: **15 Years**

(21) Appl. No.: **29/740,850**

(22) Filed: **Jul. 7, 2020**

(30) **Foreign Application Priority Data**

Apr. 23, 2020 (CN) 202030169467.5

(51) **LOC (13) Cl.** **14-03**

(52) **U.S. Cl.**
USPC **D14/447; D14/253**

(58) **Field of Classification Search**
USPC D13/179, 182.184; D23/231; D14/230, D14/447, 253
CPC . H01Q 1/428; H01Q 1/02; H01Q 1/38; H01L 23/367; H01L 23/3672; H05K 7/20254; F28F 3/022; F28F 3/04; F28F 21/065; G02B 1/111; F28D 15/0275; G06F 1/203; G06F 1/206

See application file for complete search history.

(56) **References Cited**

U.S. PATENT DOCUMENTS

D568,260 S * 5/2008 Chen D13/179
D829,725 S * 10/2018 Luo D14/447
D898,017 S * 10/2020 Zhang D14/447
D920,338 S * 5/2021 Chen D14/447
D930,641 S * 9/2021 Zhou D14/447
D931,291 S * 9/2021 Lye D14/447

D931,848 S * 9/2021 Liu D14/253
D938,409 S * 12/2021 Zheng D14/253
D938,427 S * 12/2021 Zhang D14/434
D940,700 S * 1/2022 Yongren D14/447
D941,285 S * 1/2022 Chang D14/447

OTHER PUBLICATIONS

Amazon, "Jensen Portable Phone Stand for Cell Phone . . .", First on sale Sep. 24, 2021. (<https://www.amazon.com/Jensen-Portable-Phone-Stand-Tablet/dp/B09GPWNR4/>) (Year: 2021).*

Amazon, "Multifunction Cell Phone Stand Holder . . .", First on sale Oct. 29, 2020. (<https://www.amazon.com/Holder-Multifunction-Adjustable-Foldable-Samsung/dp/B08M62V78W?th=1>) (Year: 2020).*

* cited by examiner

Primary Examiner — April Rivas

(57) **CLAIM**

The ornamental design for a cooling panel, as shown and described.

DESCRIPTION

FIG. 1 is a front elevational view of a cooling panel showing my new design;

FIG. 2 is a rear elevational view thereof;

FIG. 3 is a left side view thereof;

FIG. 4 is a right side view thereof;

FIG. 5 is a top plan view thereof;

FIG. 6 is a bottom plan view thereof;

FIG. 7 is a top, front and left side perspective view thereof;

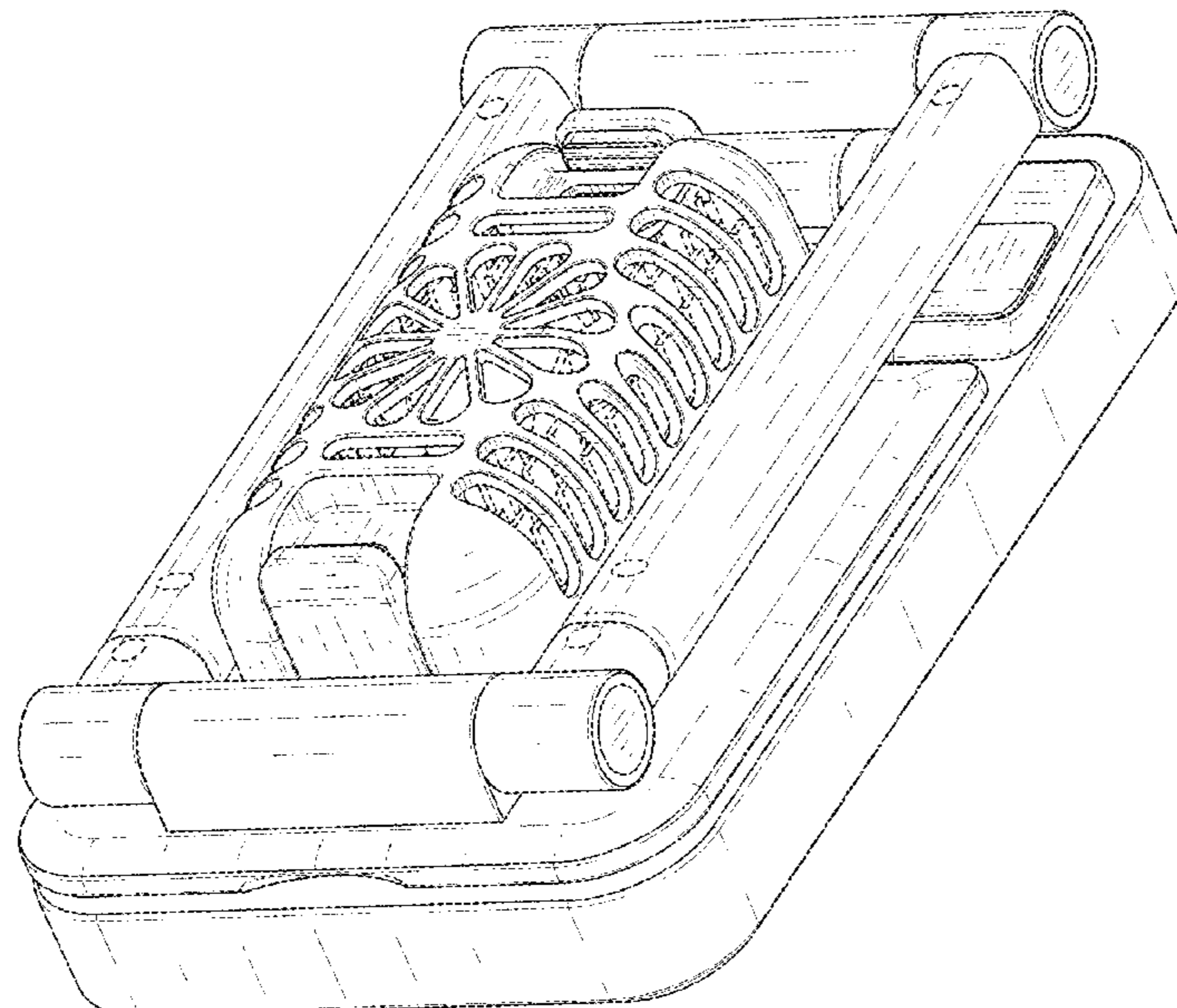
FIG. 8 is a bottom, rear and right side perspective view thereof;

FIG. 9 is a bottom, front and right side perspective view thereof; and,

FIG. 10 is a bottom, front and right side perspective view showing the cooling panel in an unfolded state.

The broken lines in the drawings illustrate portions of the cooling panel which form no part of the claimed design.

1 Claim, 10 Drawing Sheets



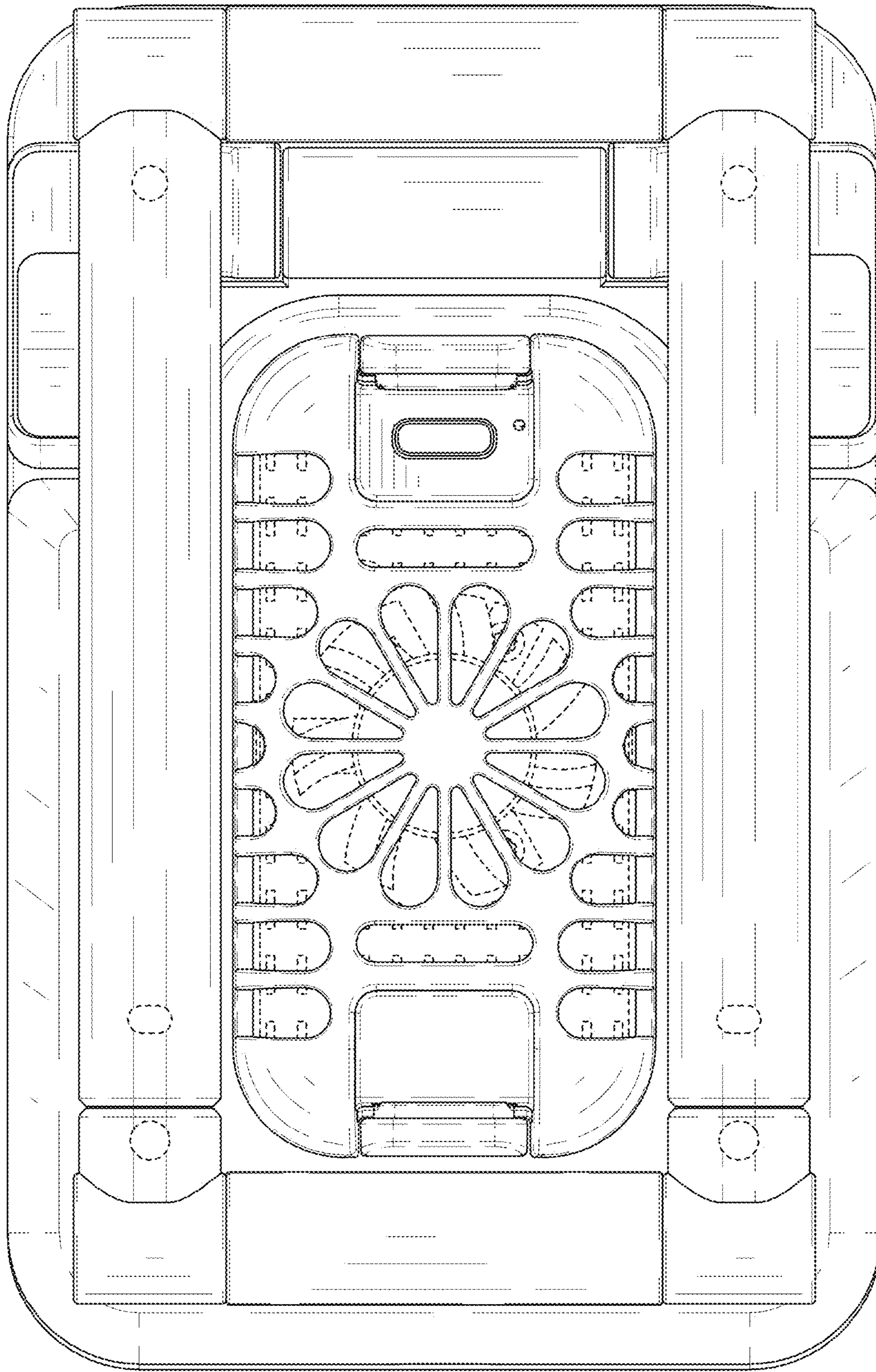


FIG.1

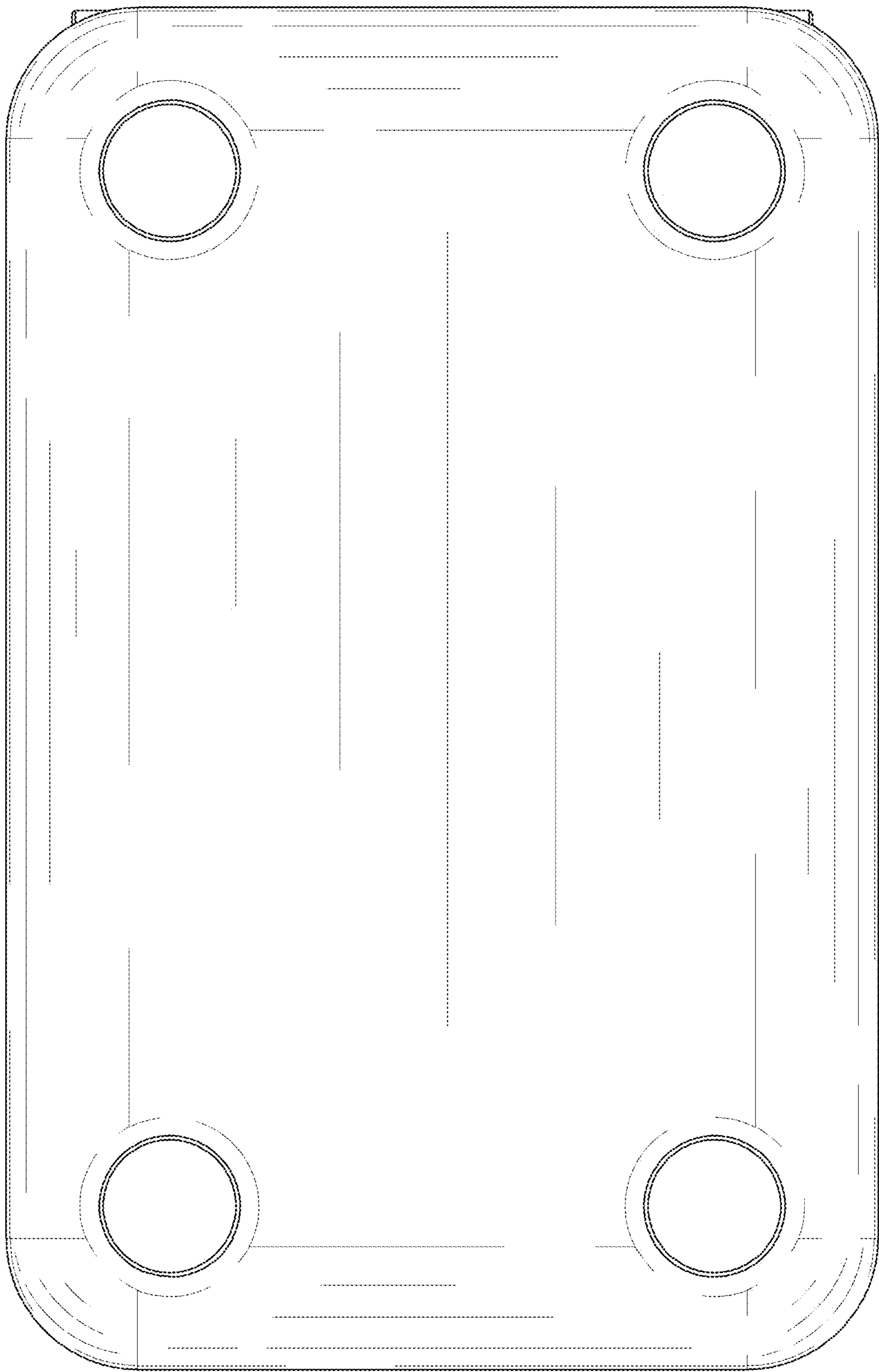


FIG. 2

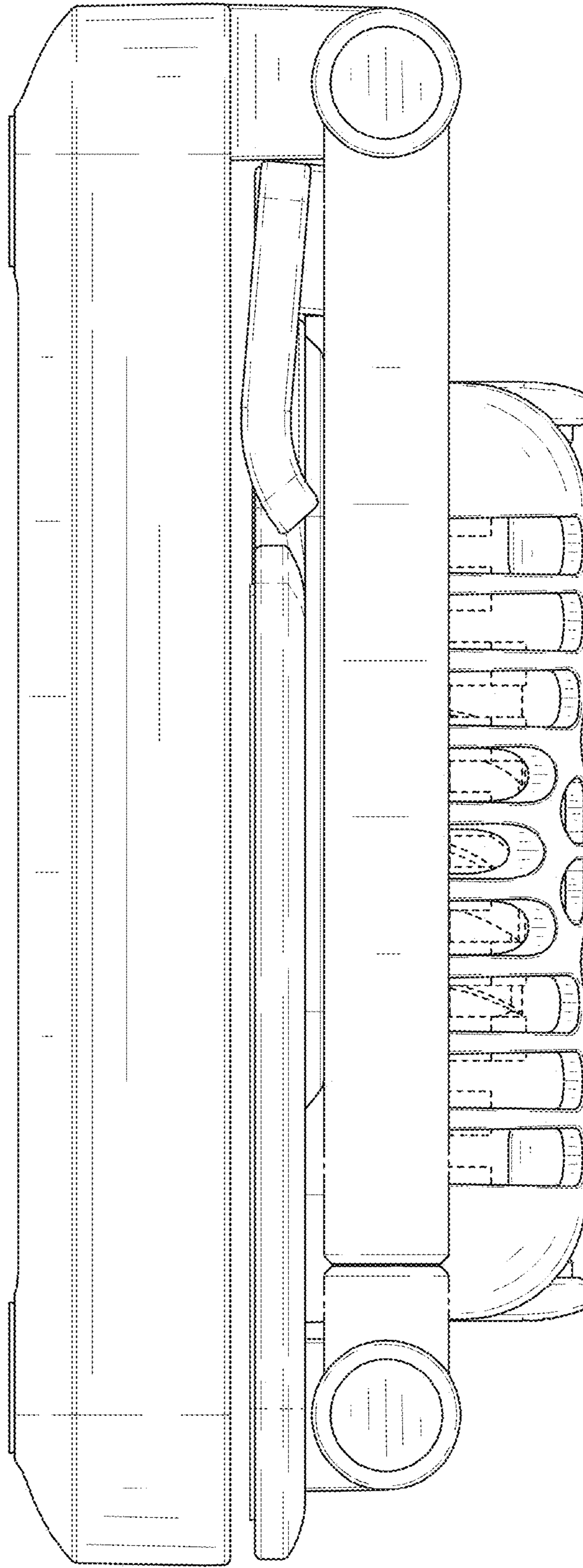


FIG. 3

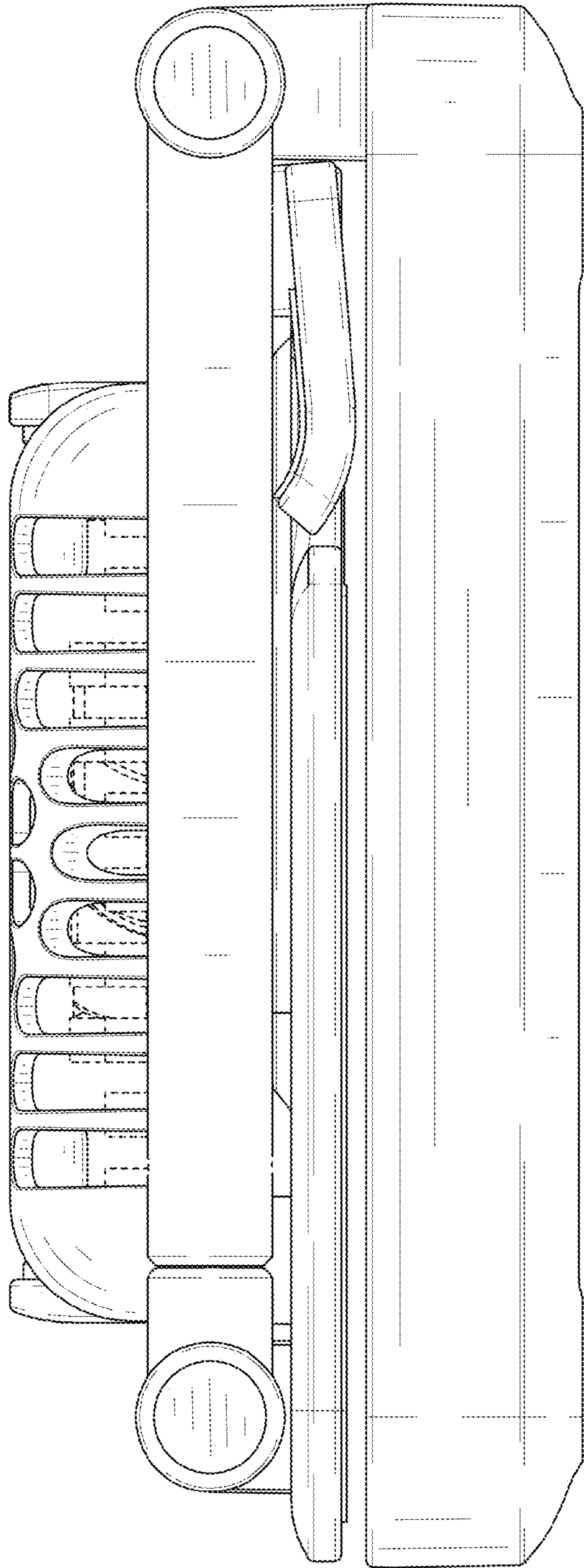


FIG. 4

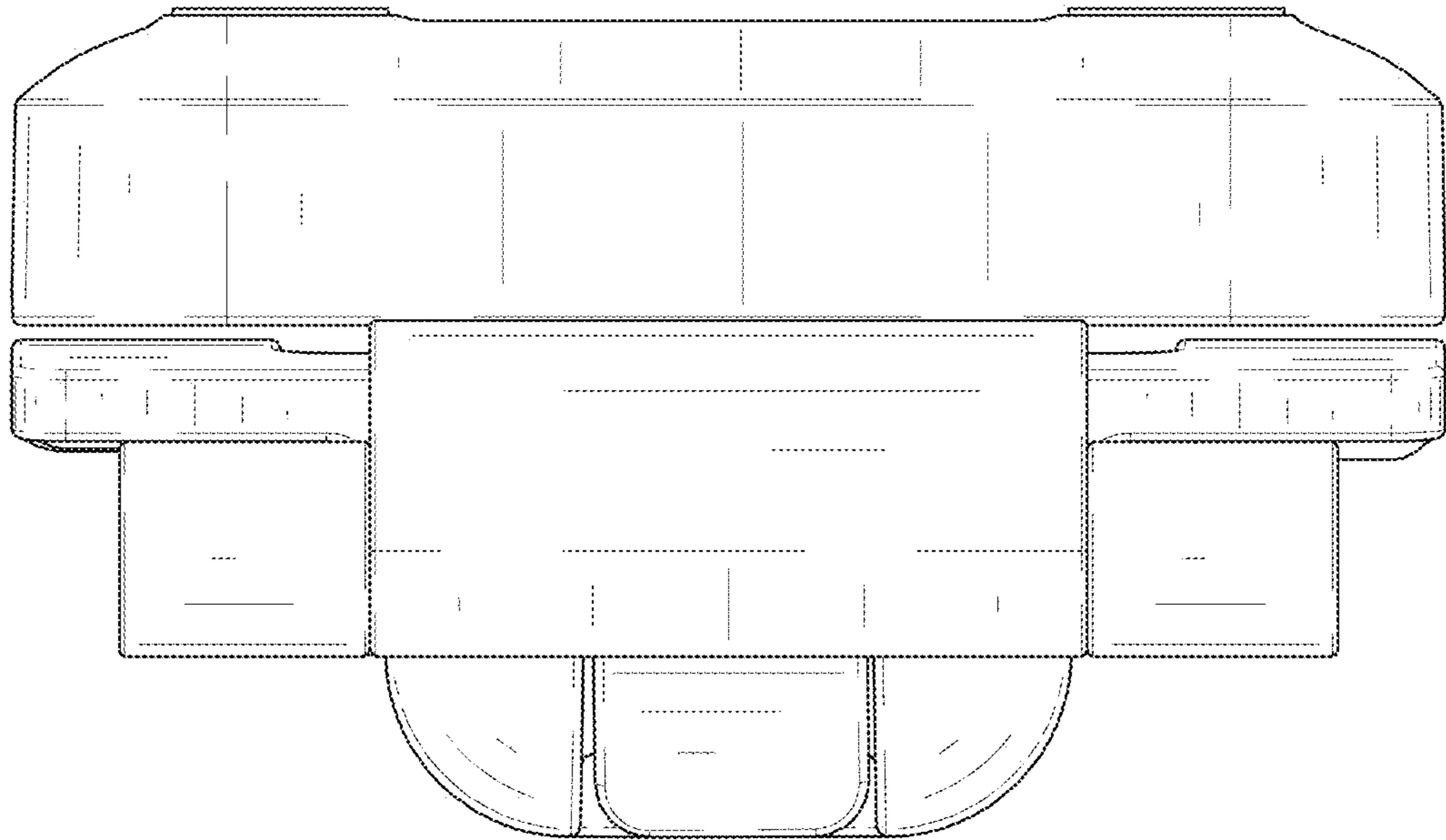


FIG. 5

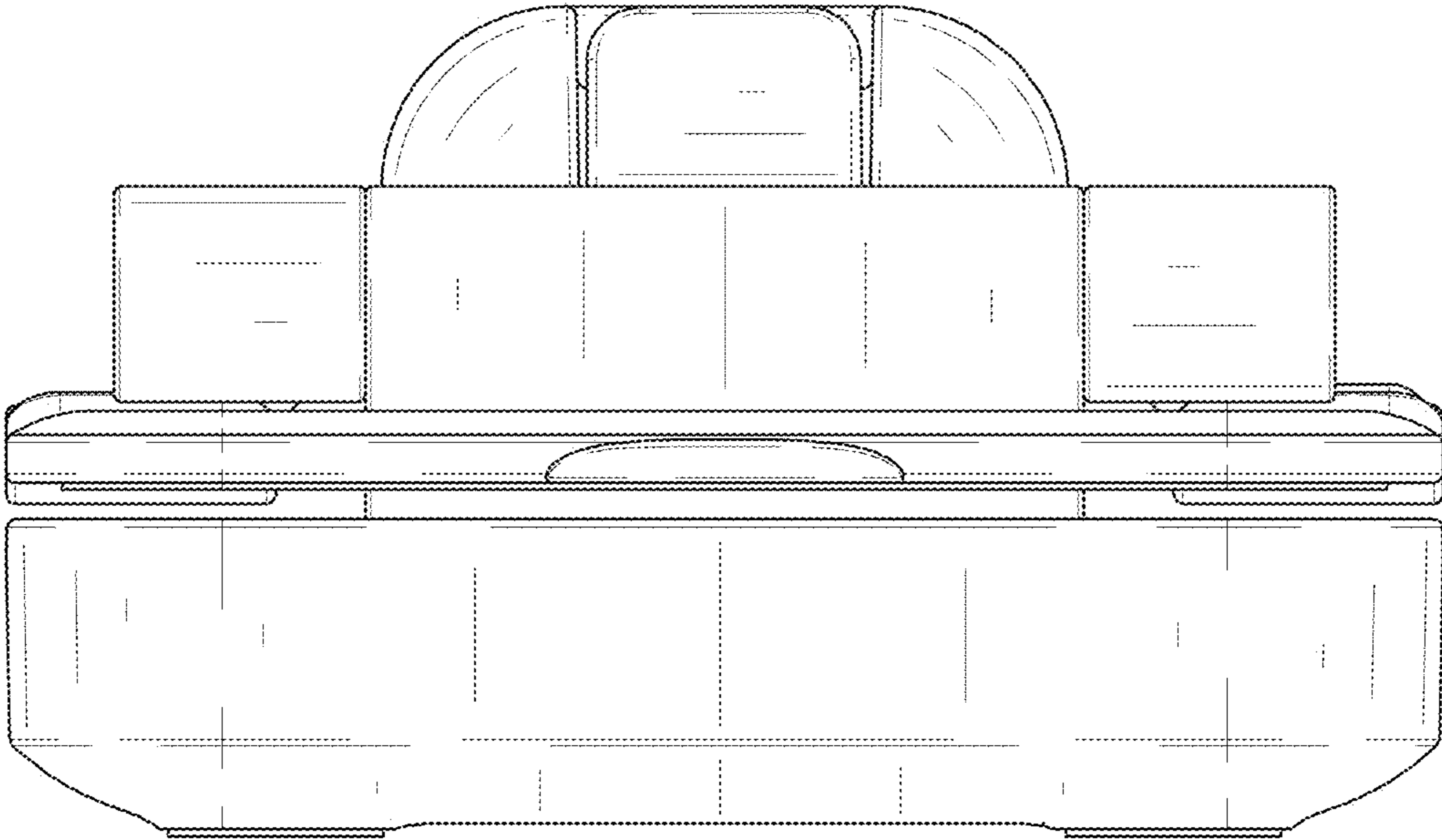


FIG.6

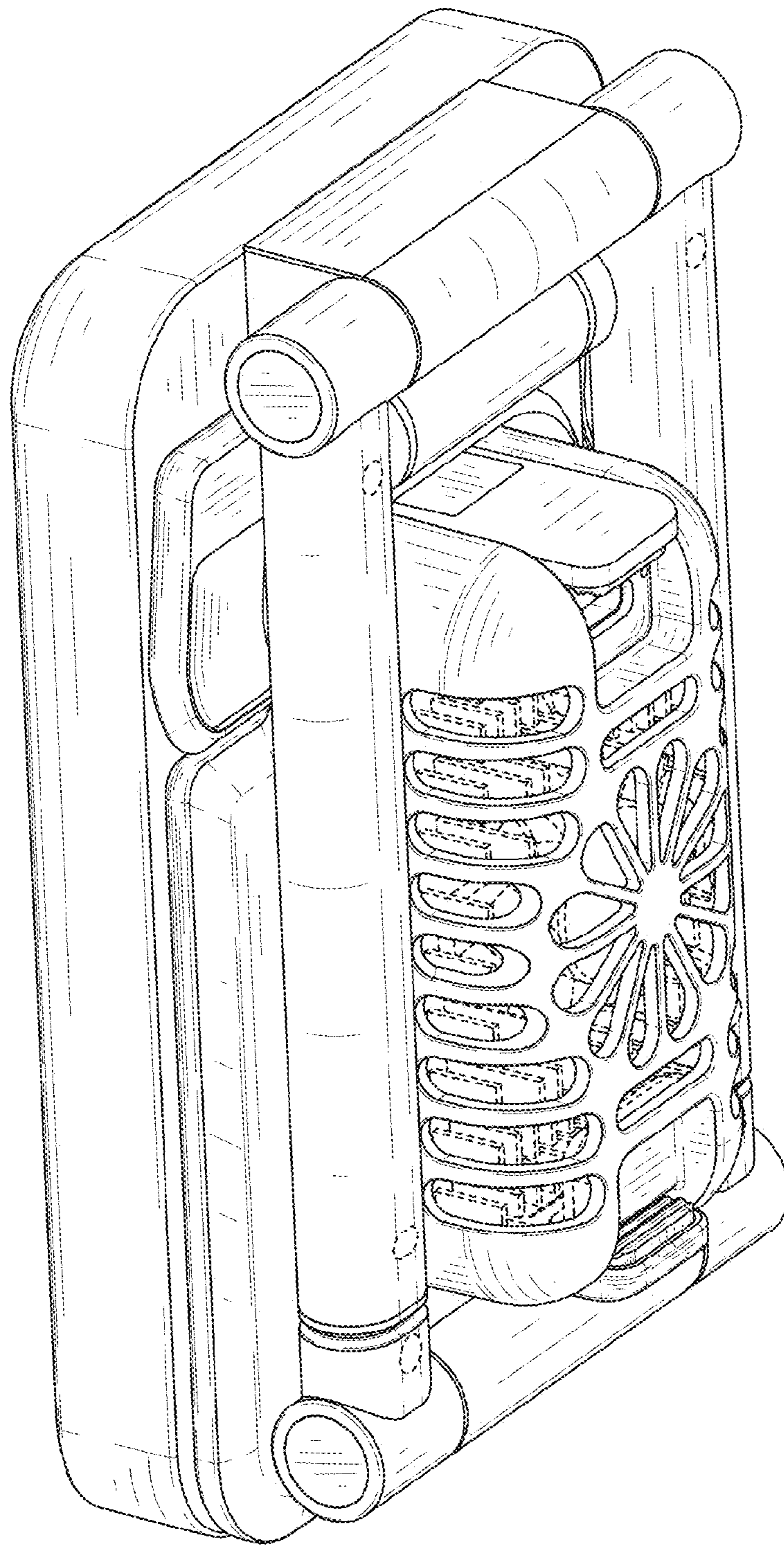


FIG. 7

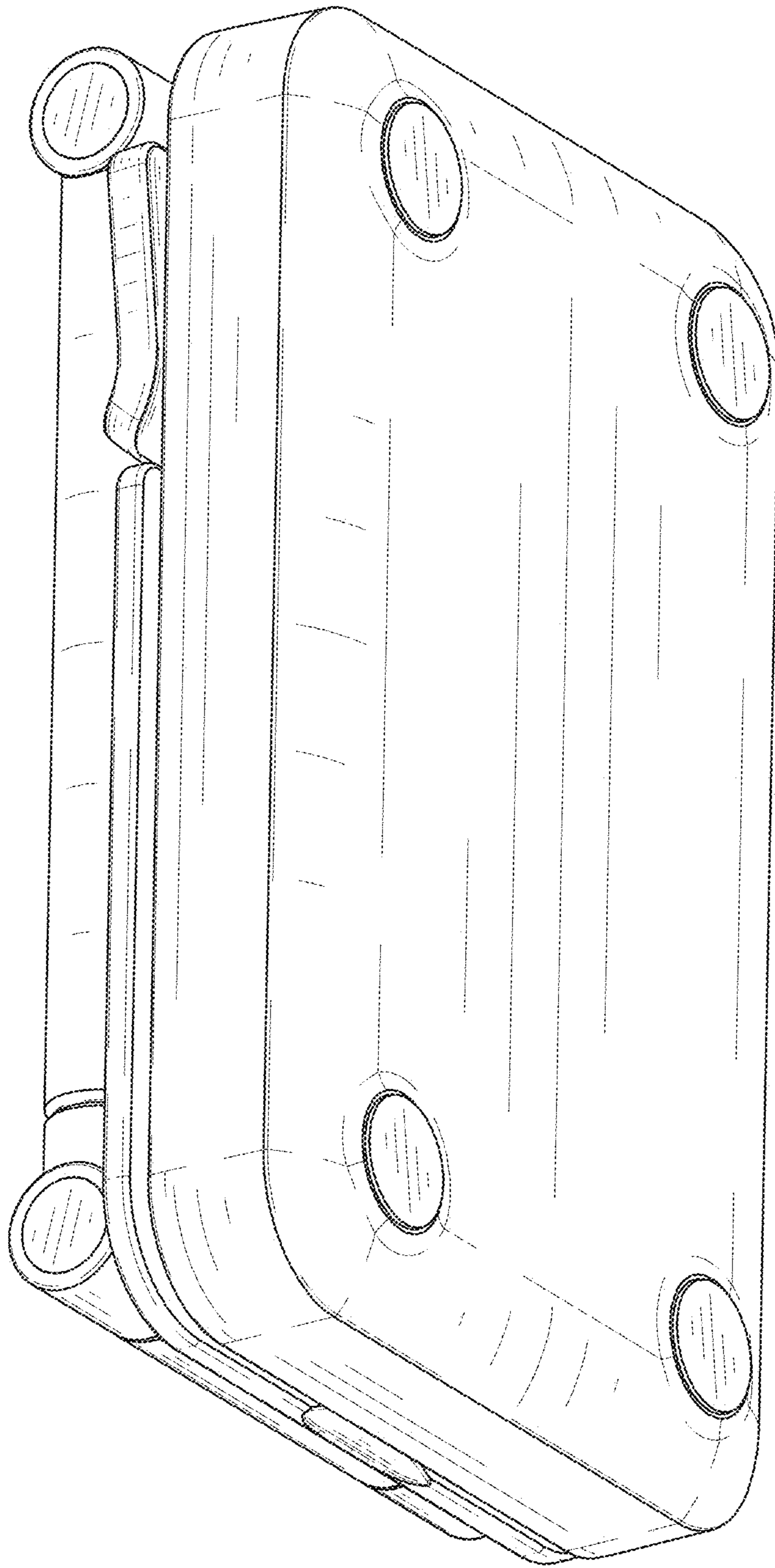


FIG. 8

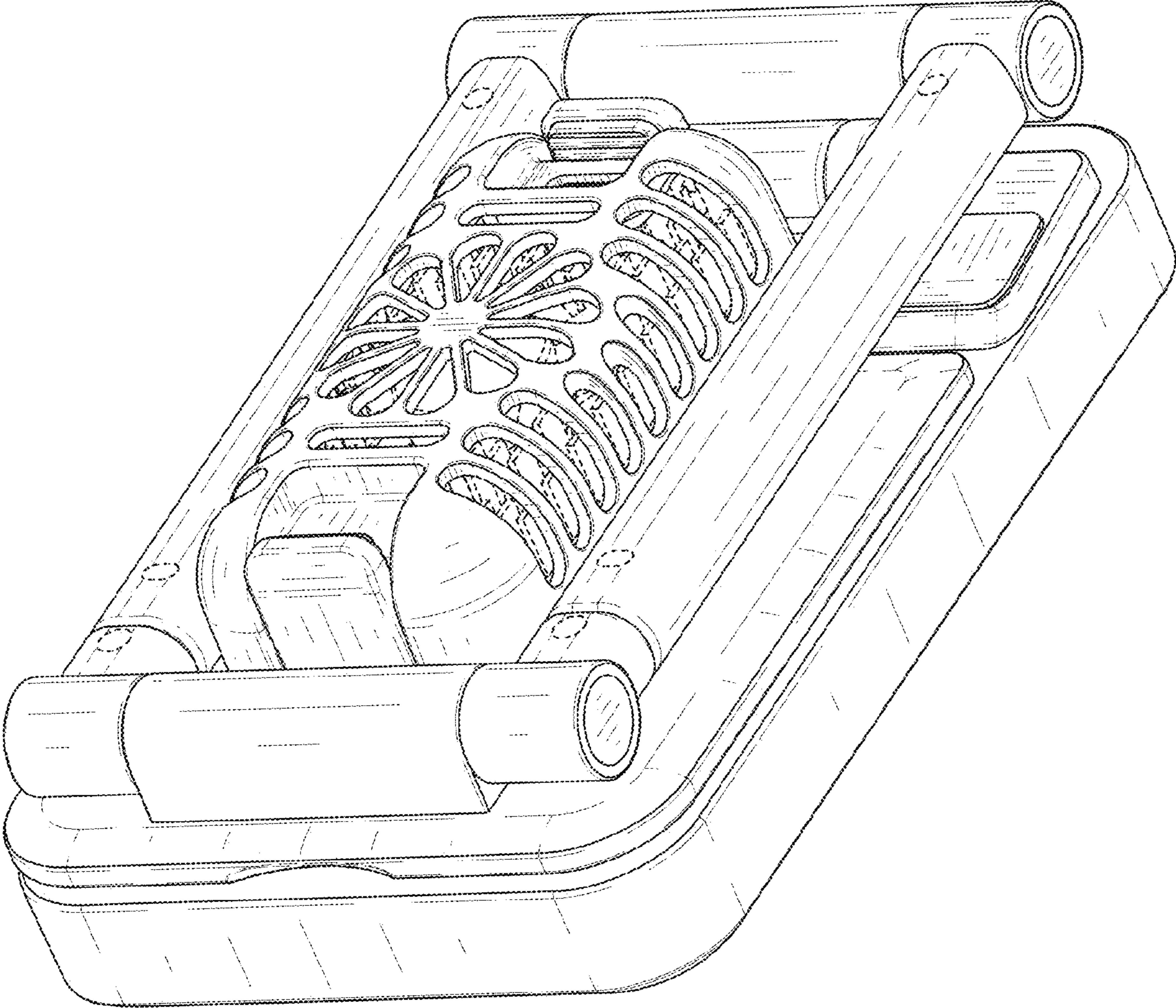


FIG. 9

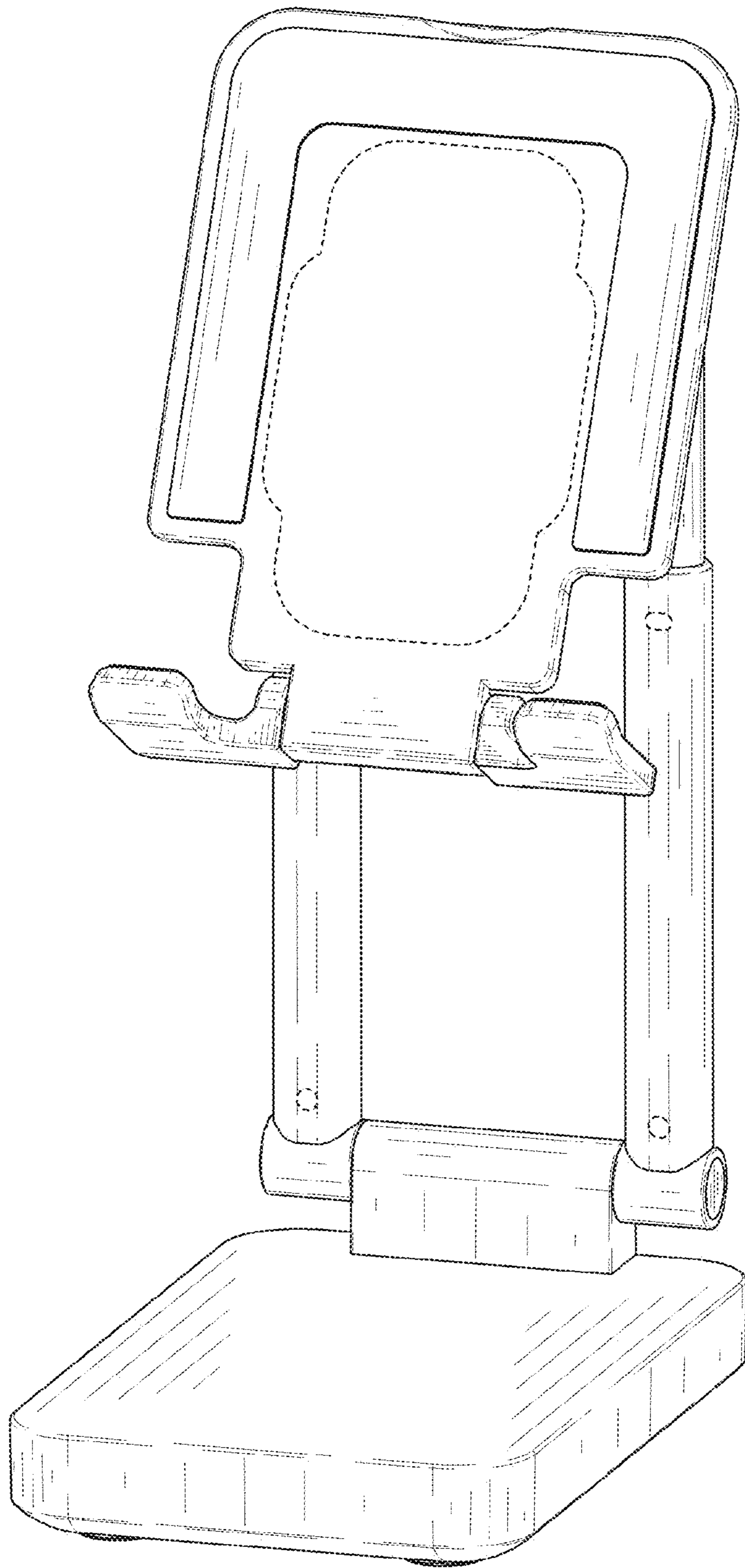


FIG.10