

US00D948513S

(12) **United States Design Patent** (10) **Patent No.:** **US D948,513 S**
Li (45) **Date of Patent:** **** Apr. 12, 2022**

(54) **DATA CABLE**

(71) Applicant: **Jinhui Li**, Puning (CN)

(72) Inventor: **Jinhui Li**, Puning (CN)

(**) Term: **15 Years**

(21) Appl. No.: **29/716,935**

(22) Filed: **Dec. 13, 2019**

(51) **LOC (13) Cl.** **14-99**

(52) **U.S. Cl.**
USPC **D14/433**; D13/153

(58) **Field of Classification Search**
USPC D14/155, 240, 242, 356, 357, 358, 378,
D14/383, 384, 385, 386, 432, 433, 434,
D14/435.1, 438, 439, 480.1, 480.3, 480.4,
D14/480.5, 480.6, 480.7, 496; D13/103,
D13/107, 108, 110, 118, 120, 123, 133,
D13/137.1–137.4, 139.1–139.8, 146, 147,
D13/153, 154, 184; D18/12, 12.1, 12.3
CPC H01R 25/00; H01R 25/003; H01R 25/006;
H01R 27/00; H01R 27/02; H01R 31/005;
H01R 24/28; H01R 24/20; H01R 13/60;
H01R 13/6658; H01R 13/72; G06F
1/1607; G06F 1/1632; G06F 1/1684;
G06F 1/266; G06F 11/325; G06F 13/00;
G06F 13/12; G06F 13/14; G06F 13/20;
G06F 13/382; G06F 13/4022

See application file for complete search history.

(56) **References Cited**

U.S. PATENT DOCUMENTS

D562,769 S *	2/2008	Ashida	D13/133
D586,293 S *	2/2009	Fujino	D13/133
D793,962 S *	8/2017	Vandiver	D13/153
D795,816 S *	8/2017	He	D13/153
D800,731 S *	10/2017	He	D14/433
D810,748 S *	2/2018	Zhang	D14/433
D813,819 S *	3/2018	Esses	D13/147
D824,909 S *	8/2018	Namala	D14/433
D841,008 S *	2/2019	Yu	D14/433

D851,047 S *	6/2019	Zhang	D13/153
D883,215 S *	5/2020	Wang	D13/133
D896,762 S *	9/2020	Hu	D13/147
D898,032 S *	10/2020	Yuan	D13/153
D900,754 S *	11/2020	Fu	D13/153
D901,505 S *	11/2020	Chen	D14/433
D908,705 S *	1/2021	Wu	D14/433
D912,675 S *	3/2021	Kim	D13/153
D918,916 S *	5/2021	He	D13/153
D925,464 S *	7/2021	Seo	D13/153

(Continued)

OTHER PUBLICATIONS

USB C to Lightning Cable 6FT, JSAUX [Apple MFi Certified] iPhone 12 Charging Cable Lightning to Type C Charger Cord Compatible with iPhone 12/12 Mini/12 Pro/11 Pro Max/X/XS/XR/8, iPad 8th 2020-Blue, announced May 7, 2019, amazon.com , [online]. [site visited Mar. 19, 2021], Available from internet URL: https://www.amazon.com/JSAUX-Lightning-Certified-Charging-Compatible/dp/B07RHSMK2C/ref=sr_1_84?dchild=1&keywords=c+cable&qid=1614205835&s=electronics&sr=1-84 (Year: 2019).*

Primary Examiner — Rebekah A Caruso

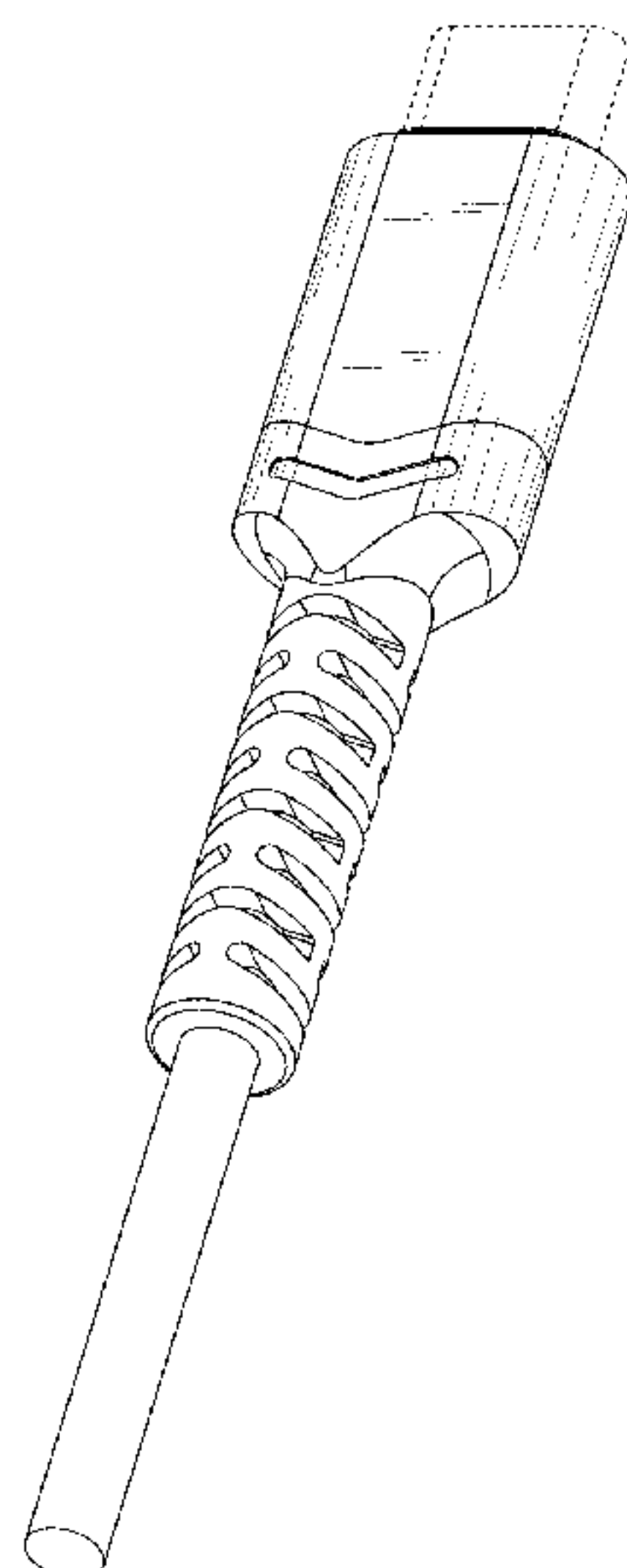
(57) **CLAIM**

The ornamental design for a data cable, as shown and described.

DESCRIPTION

FIG. 1 is a front perspective view of a data cable showing my new design;
FIG. 2 is a front elevation view thereof;
FIG. 3 is a rear elevation view thereof;
FIG. 4 is a left side elevational view thereof;
FIG. 5 is a right side elevational view thereof;
FIG. 6 is a top plan view thereof; and,
FIG. 7 is a bottom plan view thereof.
The broken lines depict portions of the data cable in which the design is embodied that form no part of the claimed design.

1 Claim, 6 Drawing Sheets



(56)

References Cited

U.S. PATENT DOCUMENTS

D931,858 S	*	9/2021	Zhang	D14/433
D935,418 S	*	11/2021	Zhang	D14/433
D935,419 S	*	11/2021	Beck	D13/153
D937,215 S	*	11/2021	Garrett	D13/133

* cited by examiner

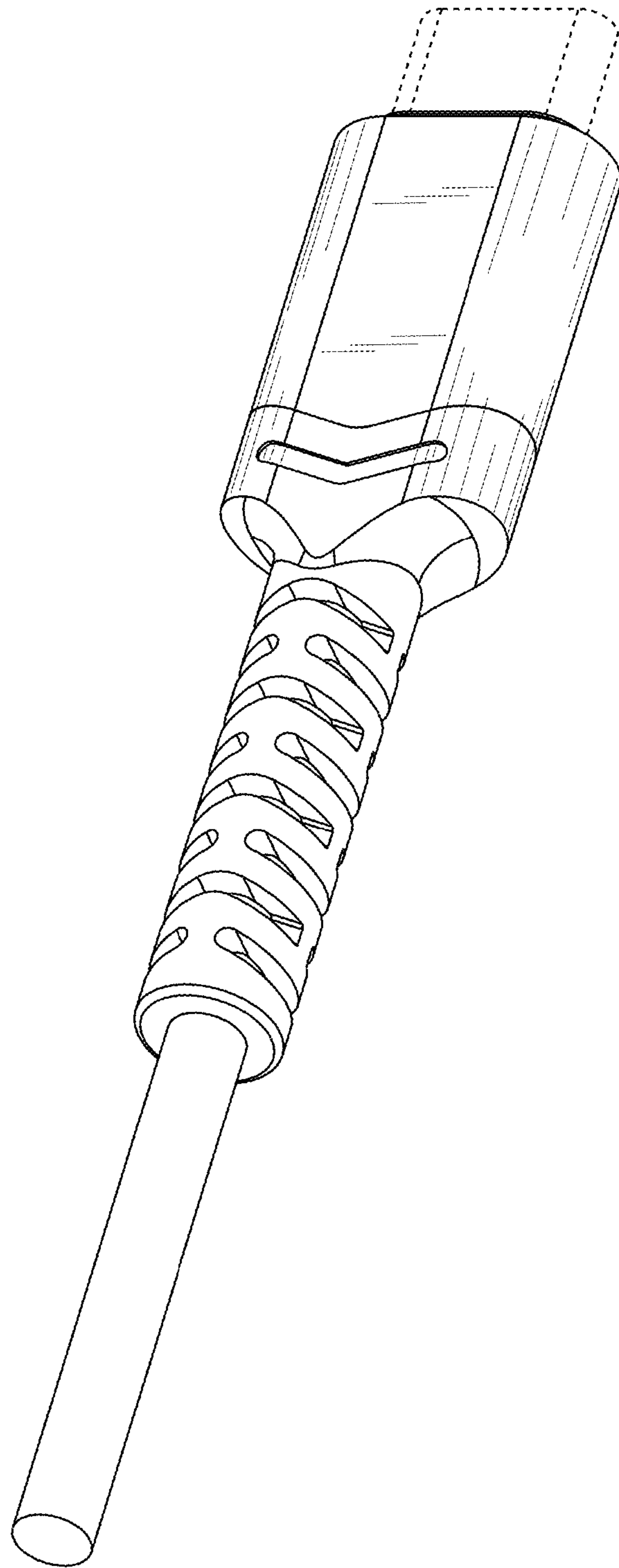


FIG. 1

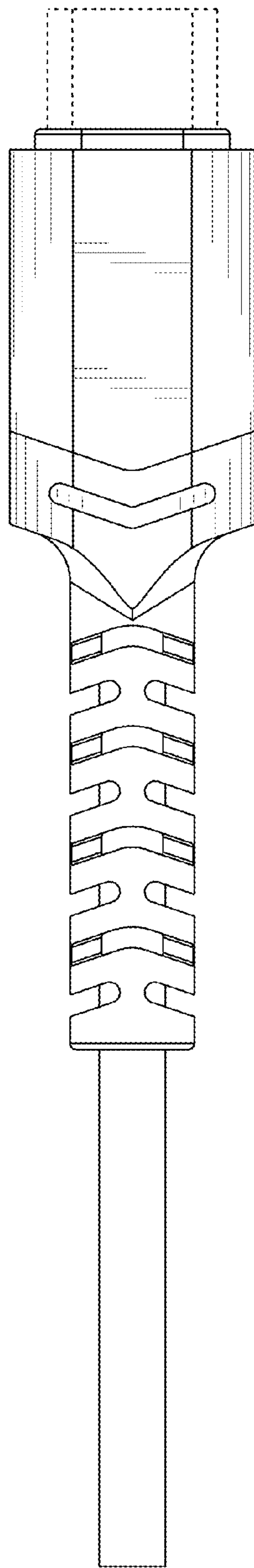


FIG. 2

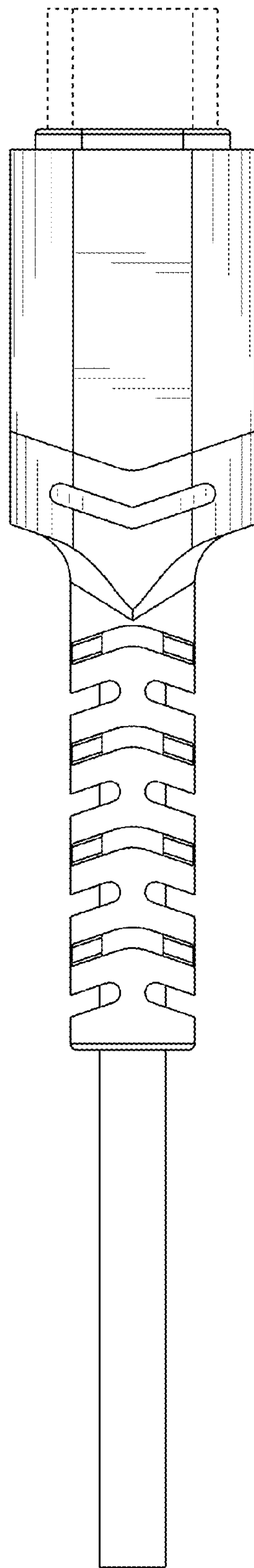


FIG. 3

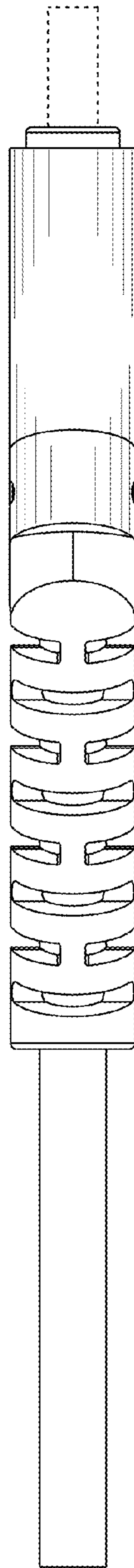


FIG. 4

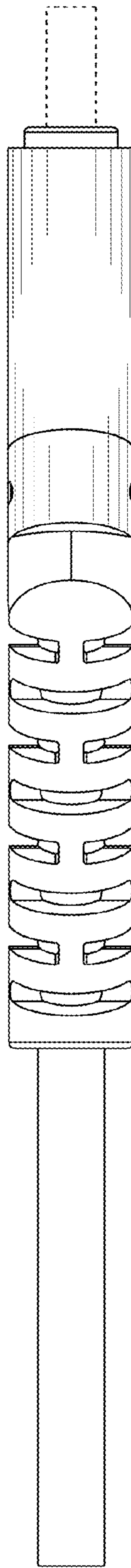


FIG. 5

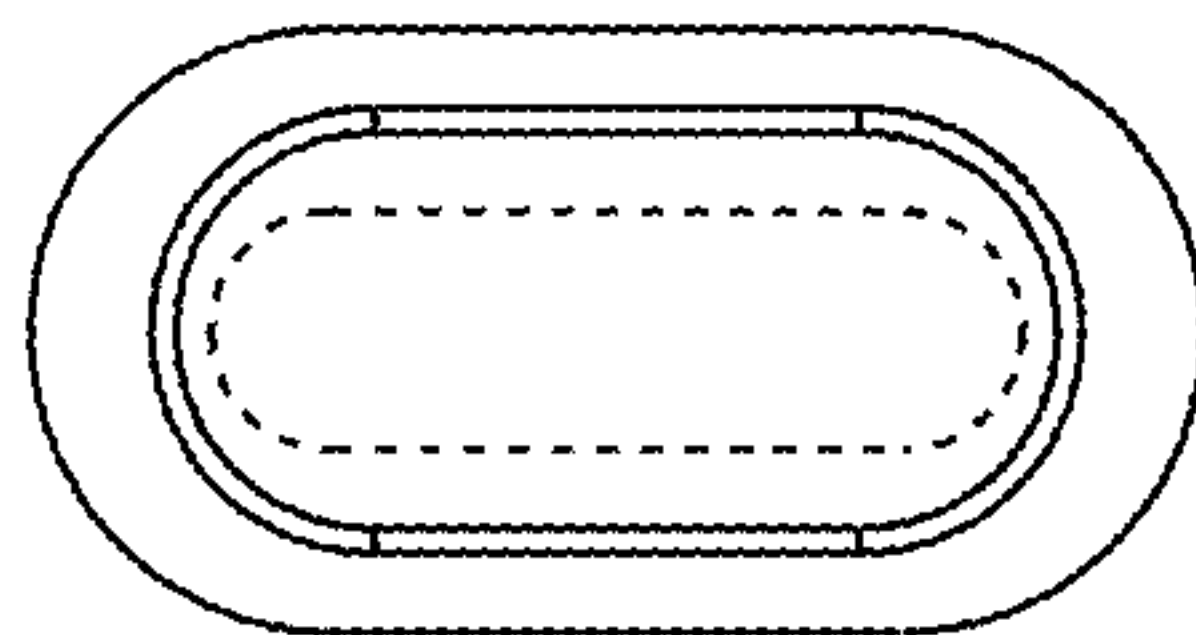


FIG. 6

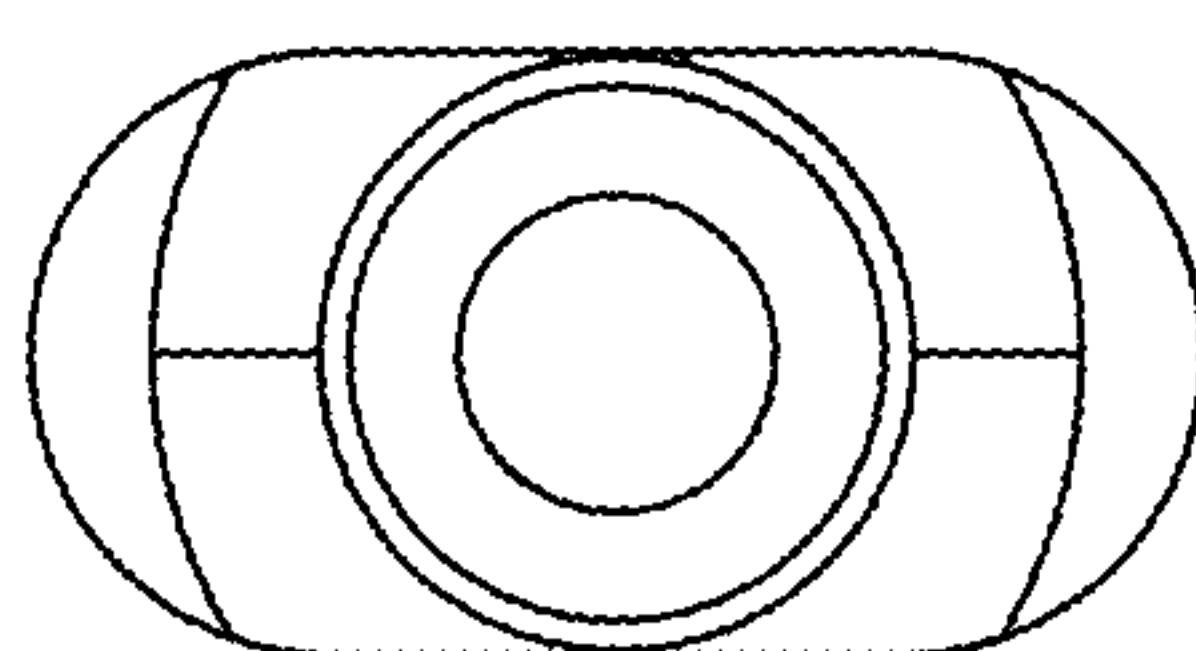


FIG. 7