



US00D948511S

(12) **United States Design Patent**  
**Hu et al.**

(10) **Patent No.:** **US D948,511 S**  
(45) **Date of Patent:** **\*\* Apr. 12, 2022**

(54) **STYLUS**

(71) Applicant: **HUAWEI TECHNOLOGIES CO., LTD.**, Shenzhen (CN)

(72) Inventors: **Yunpeng Hu**, Shenzhen (CN); **You Lin**, Shenzhen (CN)

(73) Assignee: **HUAWEI TECHNOLOGIES CO., LTD.**, Shenzhen (CN)

(\*\*) Term: **15 Years**

(21) Appl. No.: **29/756,039**

(22) Filed: **Oct. 25, 2020**

(30) **Foreign Application Priority Data**

Apr. 27, 2020 (CN) ..... 202030180376.1

(51) **LOC (13) Cl.** ..... **14-02**

(52) **U.S. Cl.**  
USPC ..... **D14/411**

(58) **Field of Classification Search**  
USPC ..... D14/372, 496, 432, 371, 125, 126, 129, D14/299, 411; D16/300-342; 351/158, 351/153, 144; 345/7-9, 905; 455/344; 348/115, 53, 121, 739  
CPC ..... G02B 27/017; G06F 3/016; G06F 3/033; G06F 3/0317; G06F 3/03545; G06F 3/041; G06K 9/222

See application file for complete search history.

(56) **References Cited**

U.S. PATENT DOCUMENTS

D832,255 S *	10/2018	Jung	.....	D14/411
D846,546 S *	4/2019	Mitchell	.....	D14/411
D851,643 S *	6/2019	Nishizawa	.....	D14/411
D861,687 S *	10/2019	Mitchell	.....	D14/411
D887,412 S *	6/2020	Nishizawa	.....	D14/411
D896,811 S *	9/2020	Nishizawa	.....	D14/411
D909,378 S *	2/2021	Huang	.....	D14/411
D917,483 S *	4/2021	Kang	.....	D14/411
D918,208 S *	5/2021	Guo	.....	D14/411
D918,912 S *	5/2021	Akana	.....	D14/411
D937,265 S *	11/2021	Huang	.....	D14/411

\* cited by examiner

*Primary Examiner* — Austin Murphy

(74) *Attorney, Agent, or Firm* — Hauptman Ham, LLP

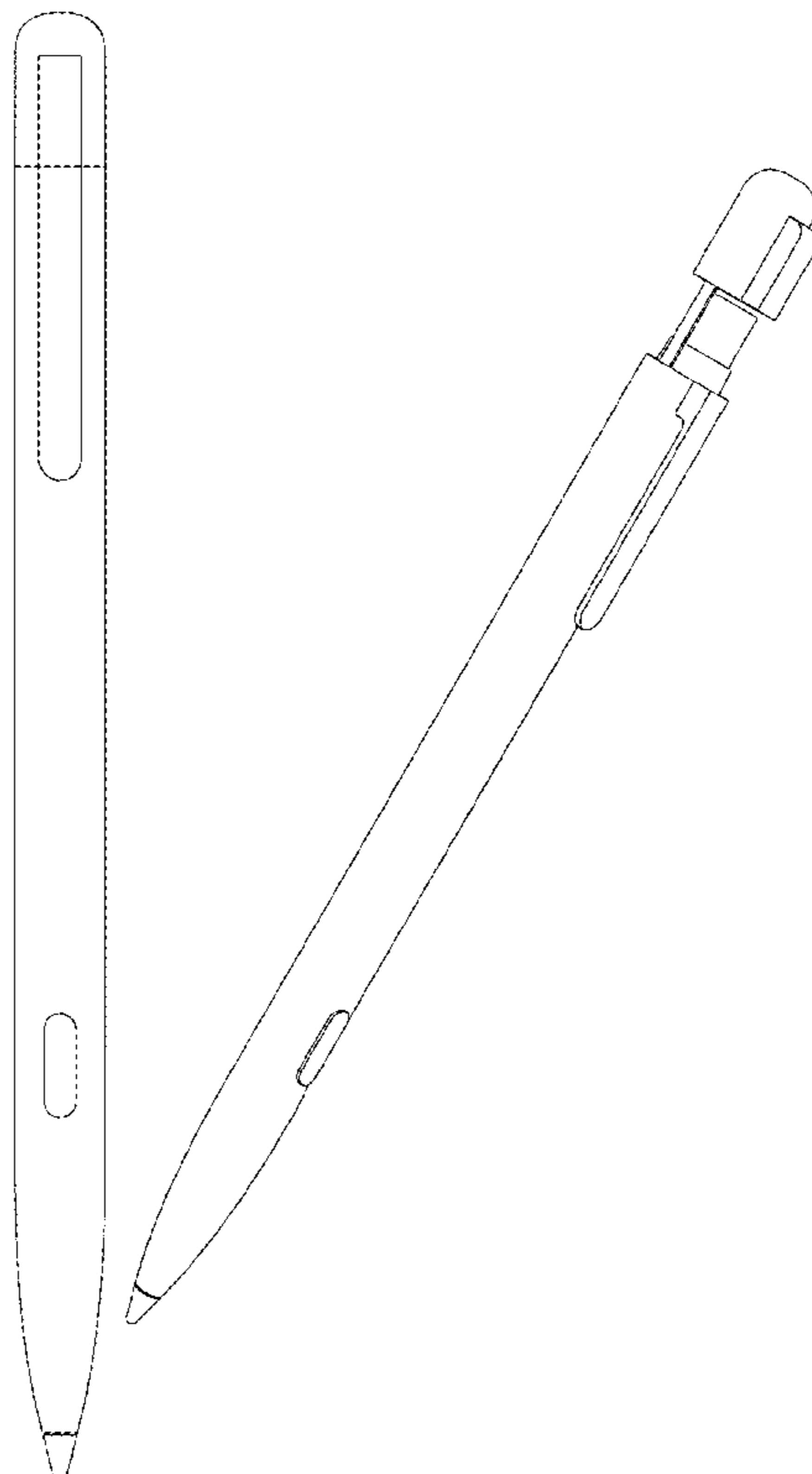
(57) **CLAIM**

The ornamental design for a stylus, as shown and described.

**DESCRIPTION**

FIG. 1 is a front view of a stylus, showing our new design; FIG. 2 is a front perspective view thereof; FIG. 3 is a back view thereof; FIG. 4 is a left side view thereof; FIG. 5 is a right side view thereof; FIG. 6 is a top view thereof; FIG. 7 is a bottom view thereof; FIG. 8 is a perspective view in using status thereof; and, FIG. 9 is another perspective view in using status thereof.

**1 Claim, 9 Drawing Sheets**





**FIG. 1**

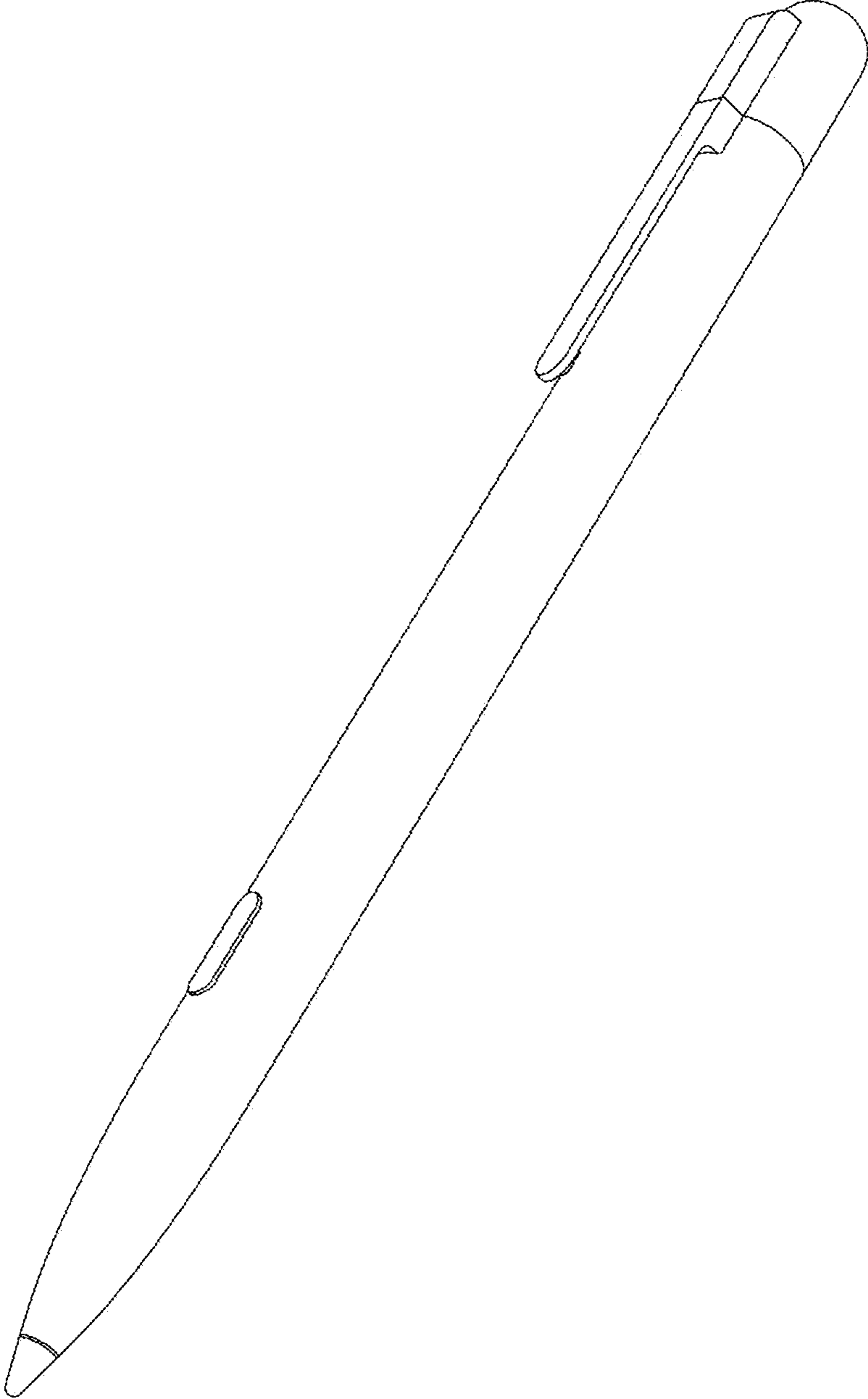
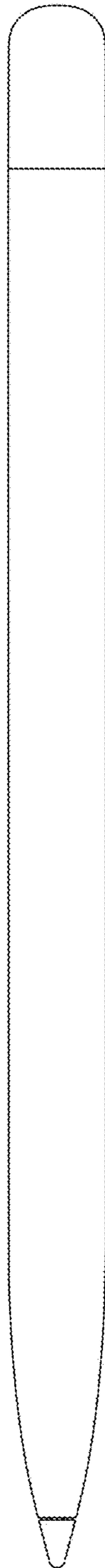


FIG. 2



**FIG. 3**

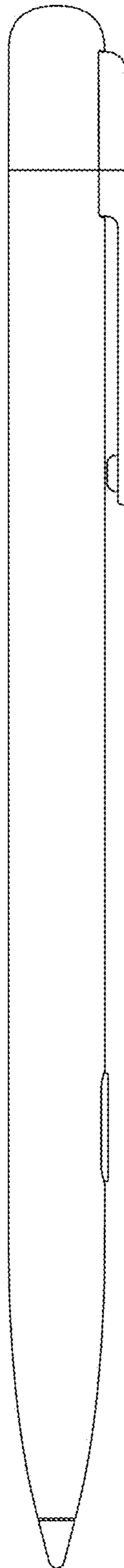


FIG. 4

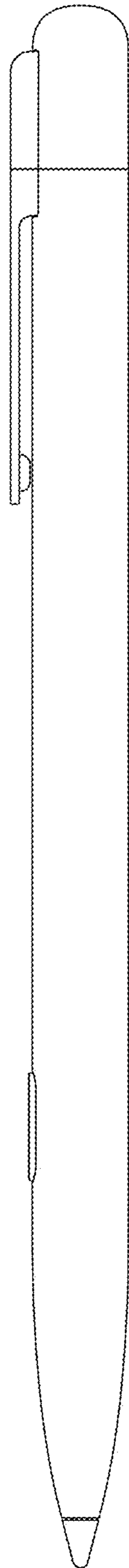
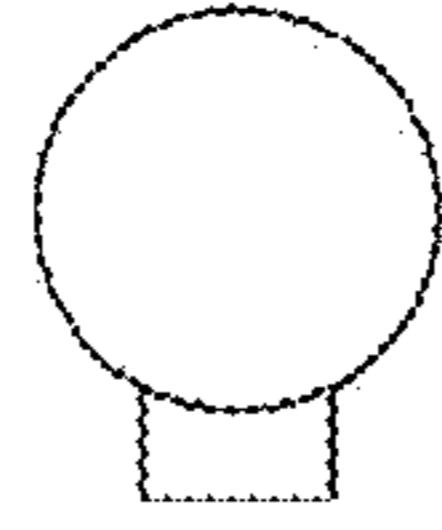
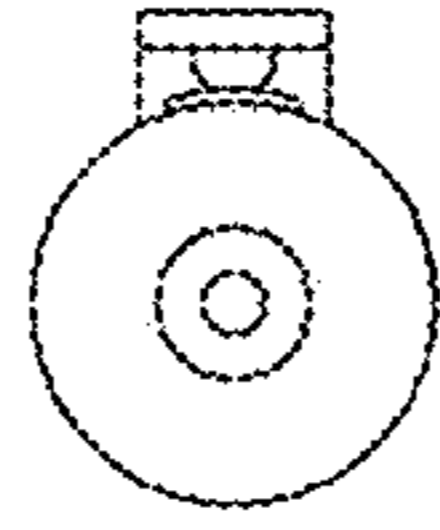


FIG. 5

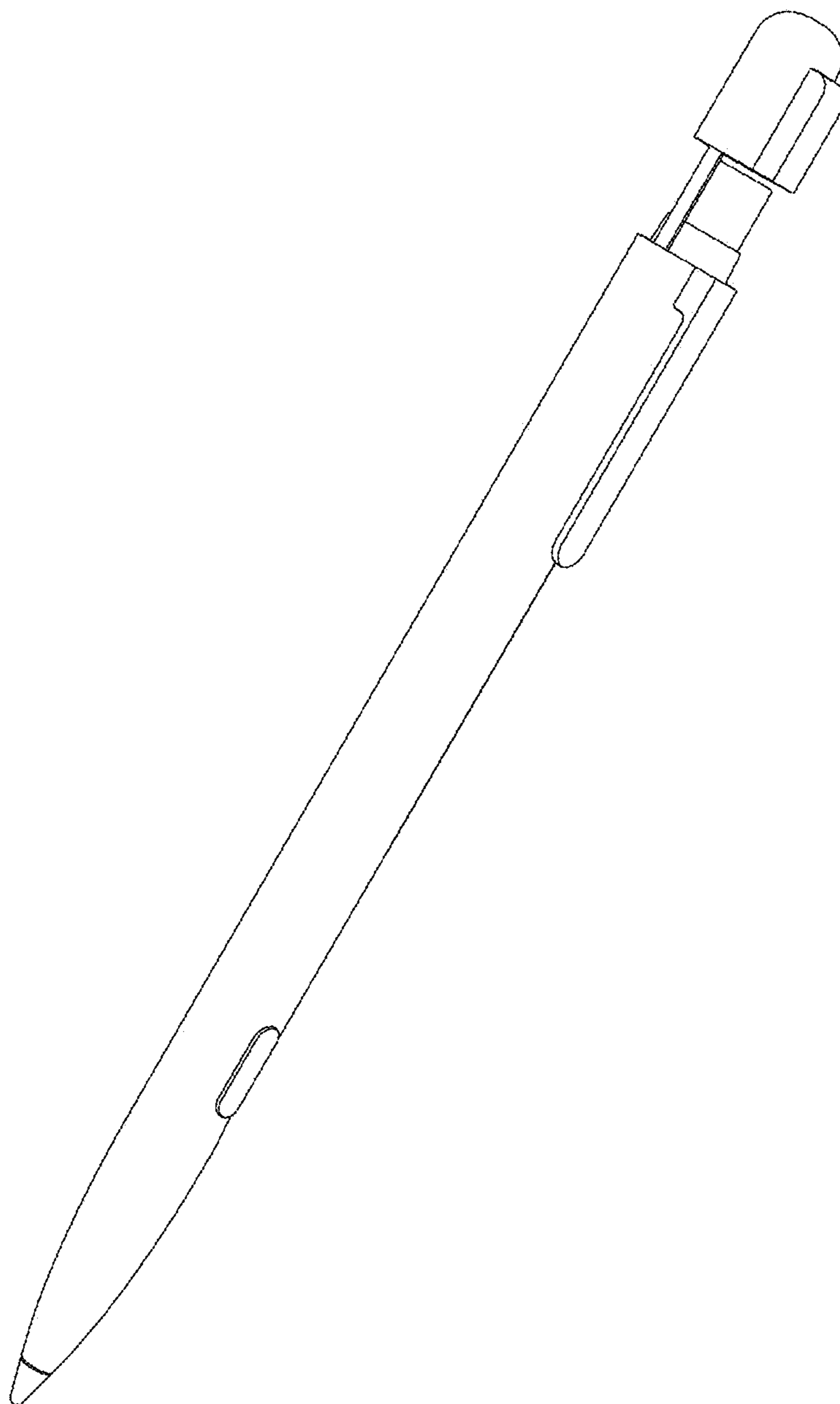


**FIG. 6**



**FIG. 7**





**FIG. 8**

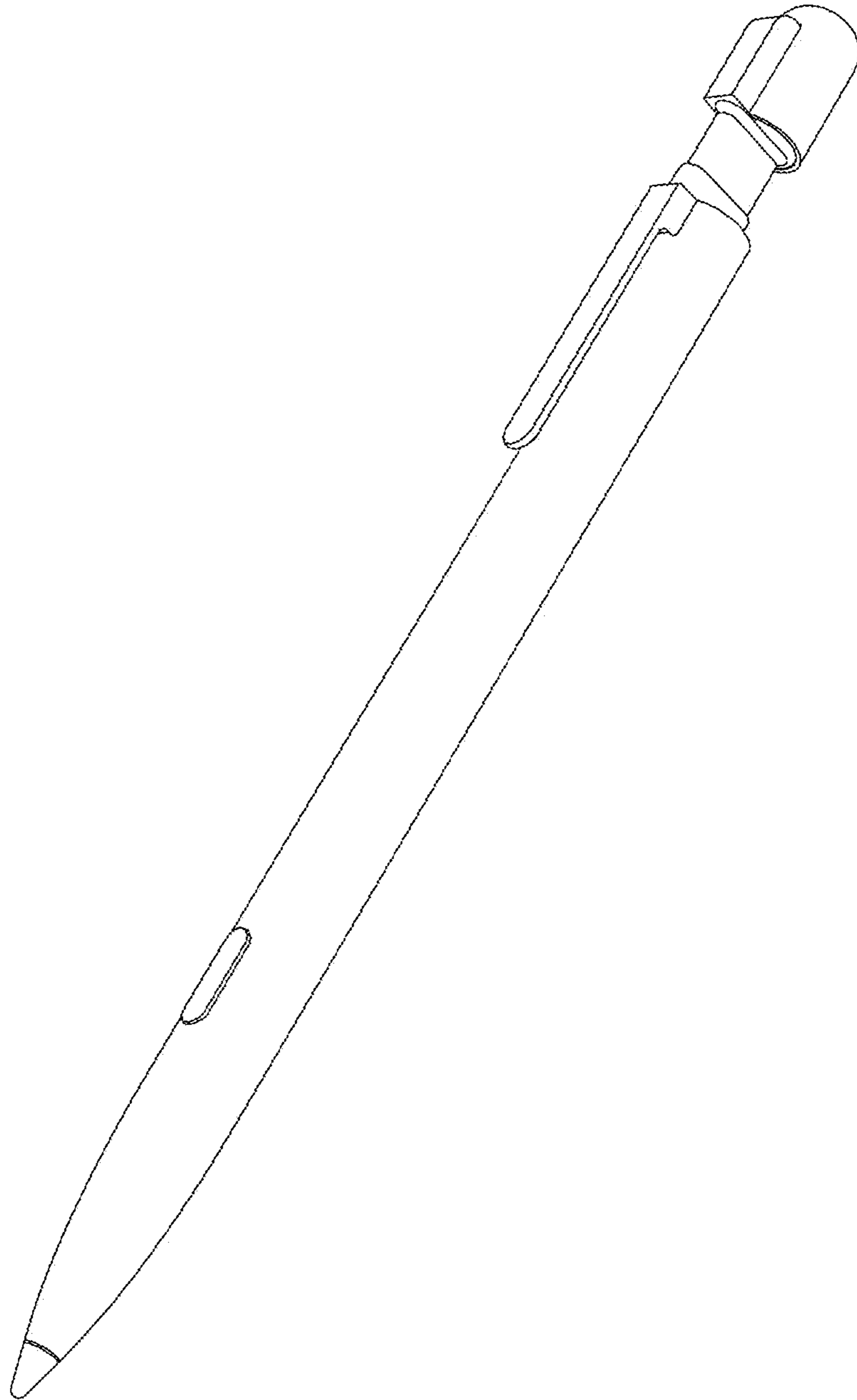


FIG. 9