



US00D948510S

(12) **United States Design Patent**
Tsao et al.

(10) **Patent No.:** **US D948,510 S**
(45) **Date of Patent:** **** Apr. 12, 2022**

- (54) **MOUSE**
- (71) Applicant: **Acer Incorporated**, New Taipei (TW)
- (72) Inventors: **Jung-Wei Tsao**, New Taipei (TW);
Wei-Chang Chen, New Taipei (TW);
Ker-Wei Lin, New Taipei (TW)
- (73) Assignee: **Acer Incorporated**, New Taipei (TW)
- (**) Term: **15 Years**
- (21) Appl. No.: **29/748,734**
- (22) Filed: **Sep. 1, 2020**

(30) **Foreign Application Priority Data**

Mar. 31, 2020 (TW) 109301767

(51) **LOC (13) Cl.** **14-03**

(52) **U.S. Cl.**
USPC **D14/407**; D14/402

(58) **Field of Classification Search**
USPC D14/402-411, 356, 388, 389, 383-385,
D14/417, 426; 345/156-167; 463/36-38;
358/471, 473; 273/148 B
CPC G06F 3/03543; G06F 2203/0333; G06F
3/039; G06F 3/038; G06F 2203/0384
See application file for complete search history.

(56) **References Cited**

U.S. PATENT DOCUMENTS

D304,447 S *	11/1989	Adams	D14/407
D305,331 S *	1/1990	Esslinger	D14/407
D335,874 S *	5/1993	Chen	D14/407
D340,924 S *	11/1993	Tso	D14/407
D534,168 S *	12/2006	Wada	D14/407
D545,822 S *	7/2007	Murakami	D14/402
D643,429 S *	8/2011	Ferwerda	D14/407

D647,093 S *	10/2011	Kim	D14/407
D662,096 S *	6/2012	Yu	D14/407
D684,973 S *	6/2013	Myung	D14/407
D757,728 S *	5/2016	Schoeck	D14/407
D764,471 S *	8/2016	Klein	D14/407
D765,078 S *	8/2016	Klein	D14/407
D766,242 S *	9/2016	Moon	D14/407
D769,245 S *	10/2016	Lee	D14/407
D820,844 S *	6/2018	Jones	D14/407
D910,631 S *	2/2021	Kauh	D14/407
D933,069 S *	10/2021	Cho	D14/407
D933,070 S *	10/2021	Cho	D14/407
D933,658 S *	10/2021	Chen	D14/407

* cited by examiner

Primary Examiner — Austin Murphy
(74) *Attorney, Agent, or Firm* — JCIPRNET

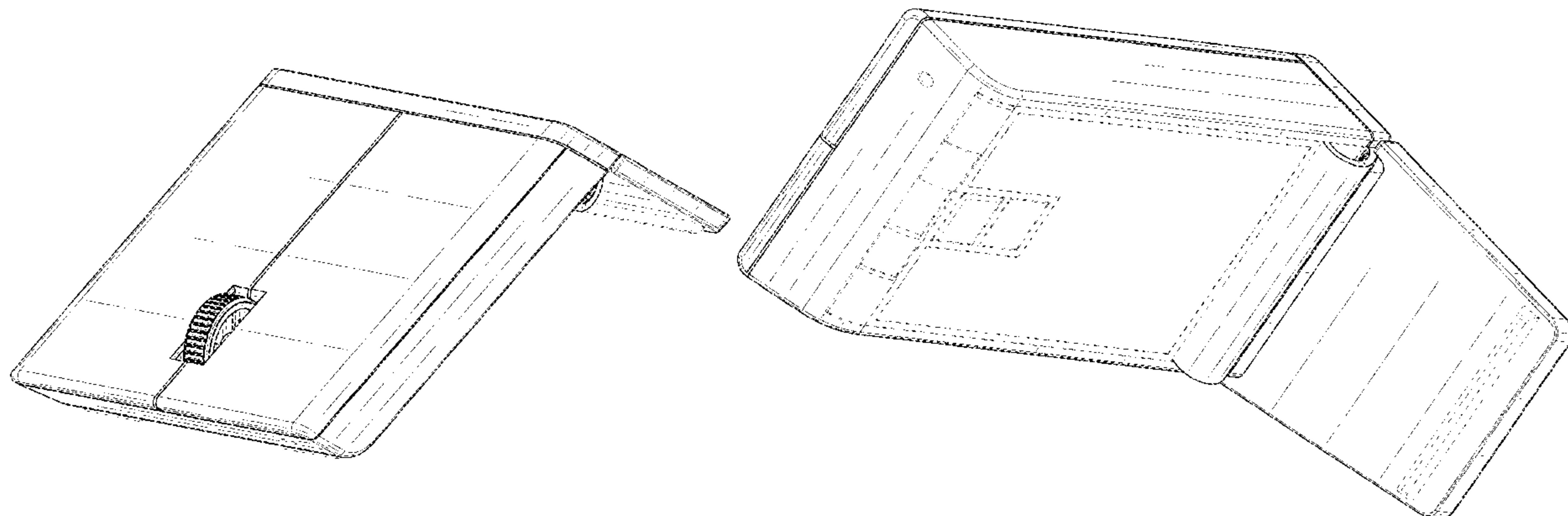
(57) **CLAIM**

The ornamental design for a mouse, as shown and described.

DESCRIPTION

FIG. 1 is a perspective view of a mouse showing our new design;
 FIG. 2 is another perspective view thereof;
 FIG. 3 is a front view thereof;
 FIG. 4 is a rear view thereof;
 FIG. 5 is a left side view thereof;
 FIG. 6 is a right side view thereof;
 FIG. 7 is a top view thereof;
 FIG. 8 is a bottom view thereof;
 FIG. 9 is a cross-sectional view taken along line 9-9 in FIG. 3;
 FIG. 10 is a perspective view thereof in an alternate state;
 FIG. 11 is another perspective view thereof; and,
 FIG. 12 is a right side view thereof.
 The broken lines illustrate portions of the mouse that form no part of the claimed design.

1 Claim, 10 Drawing Sheets



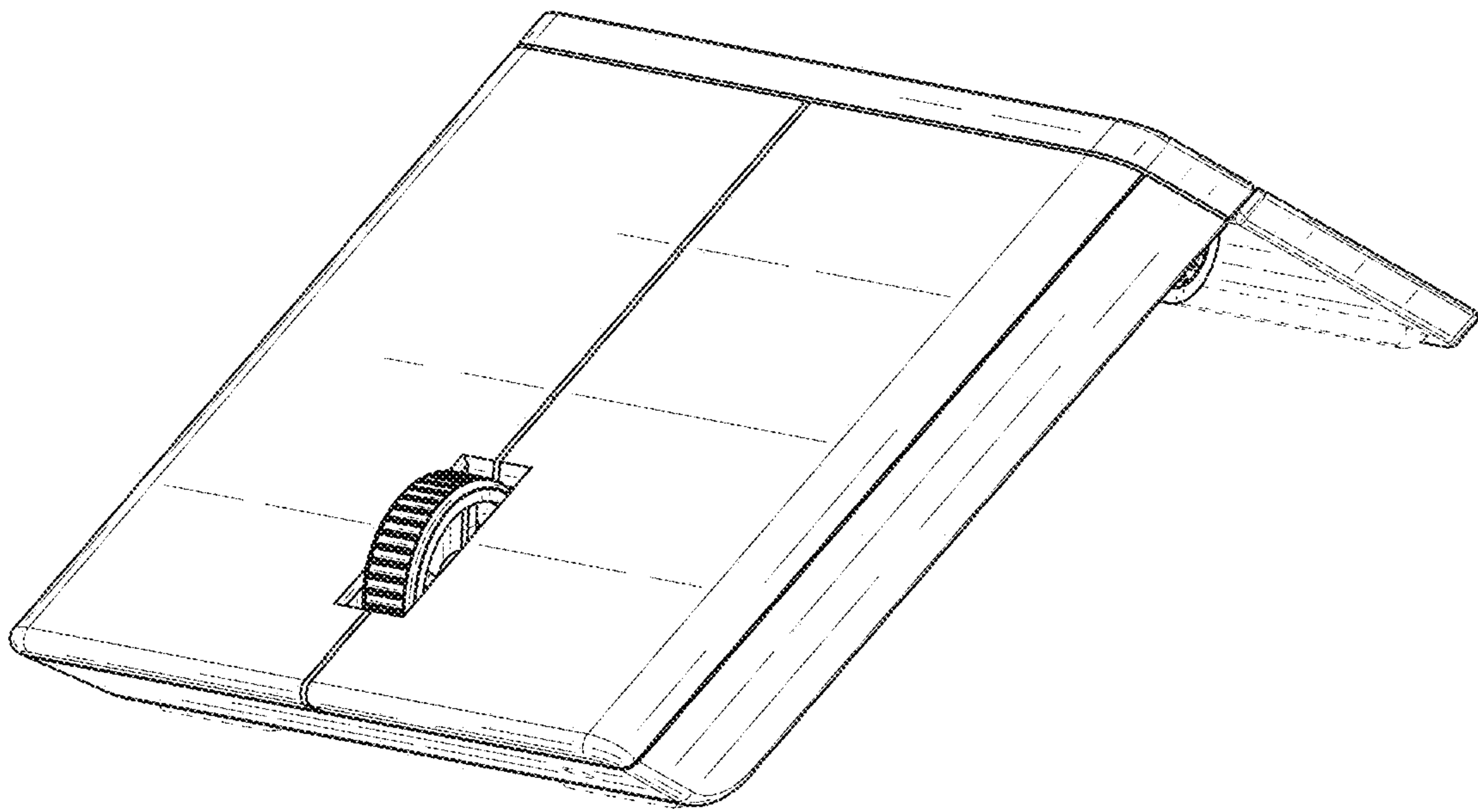


FIG. 1

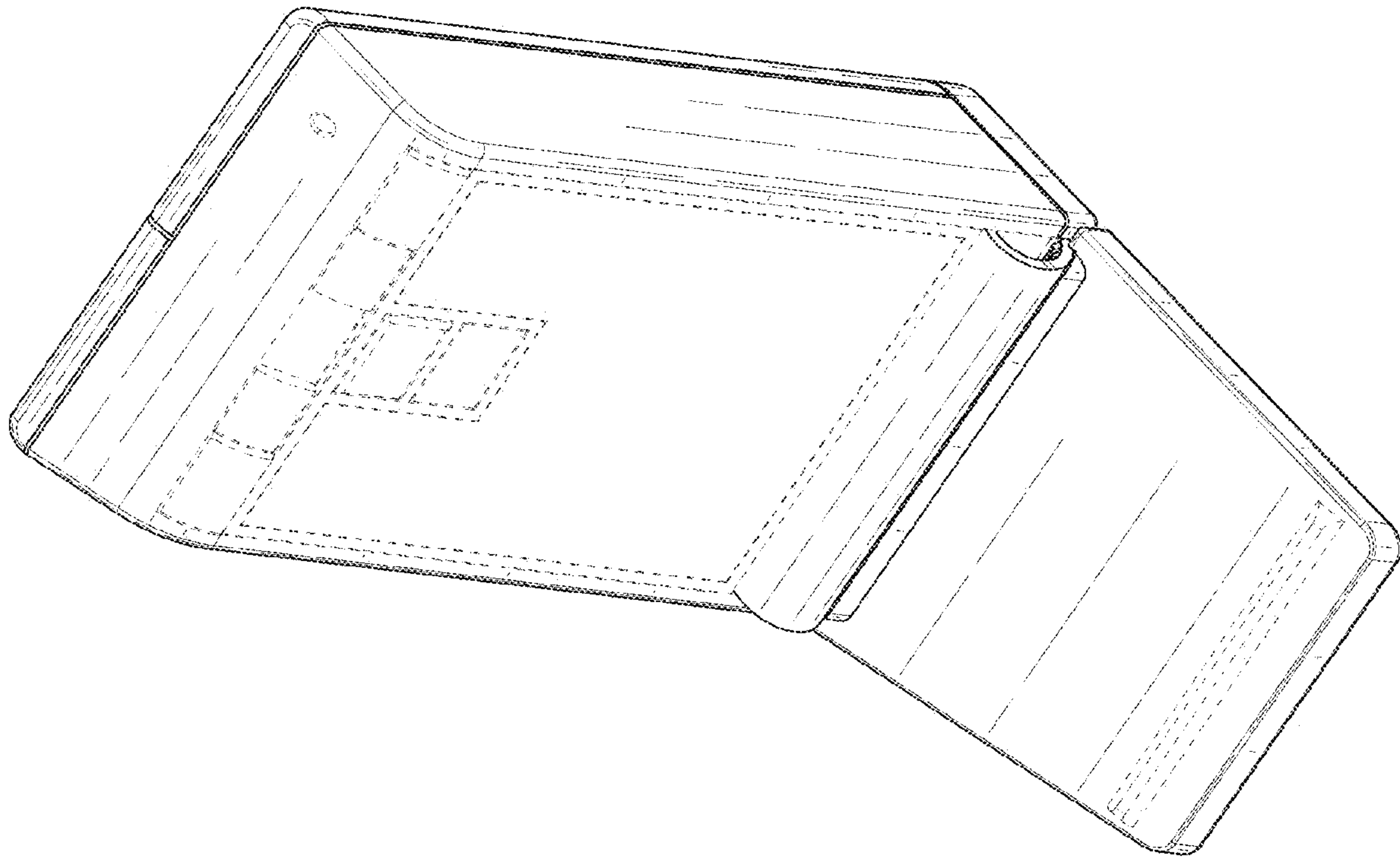


FIG. 2

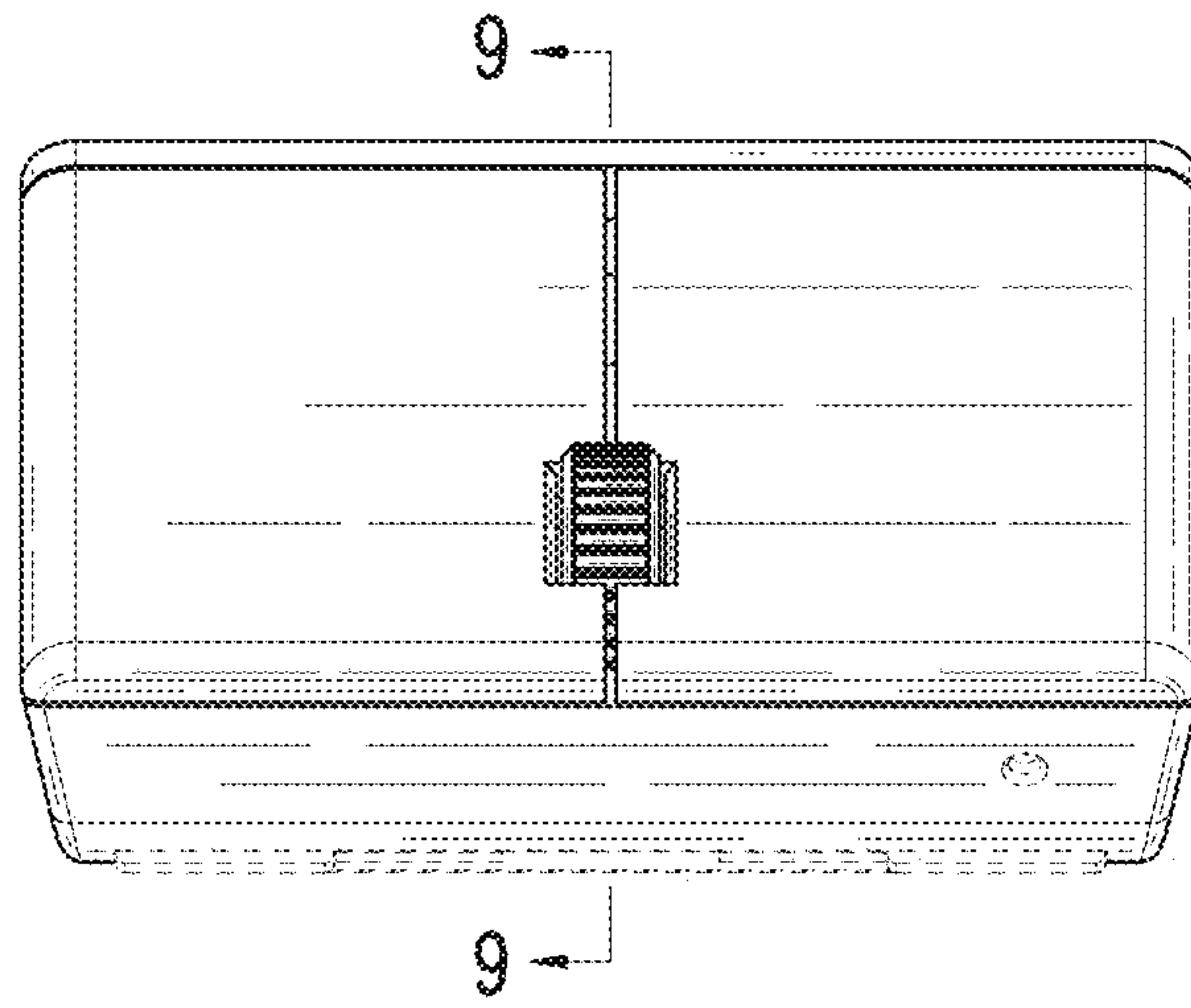


FIG. 3

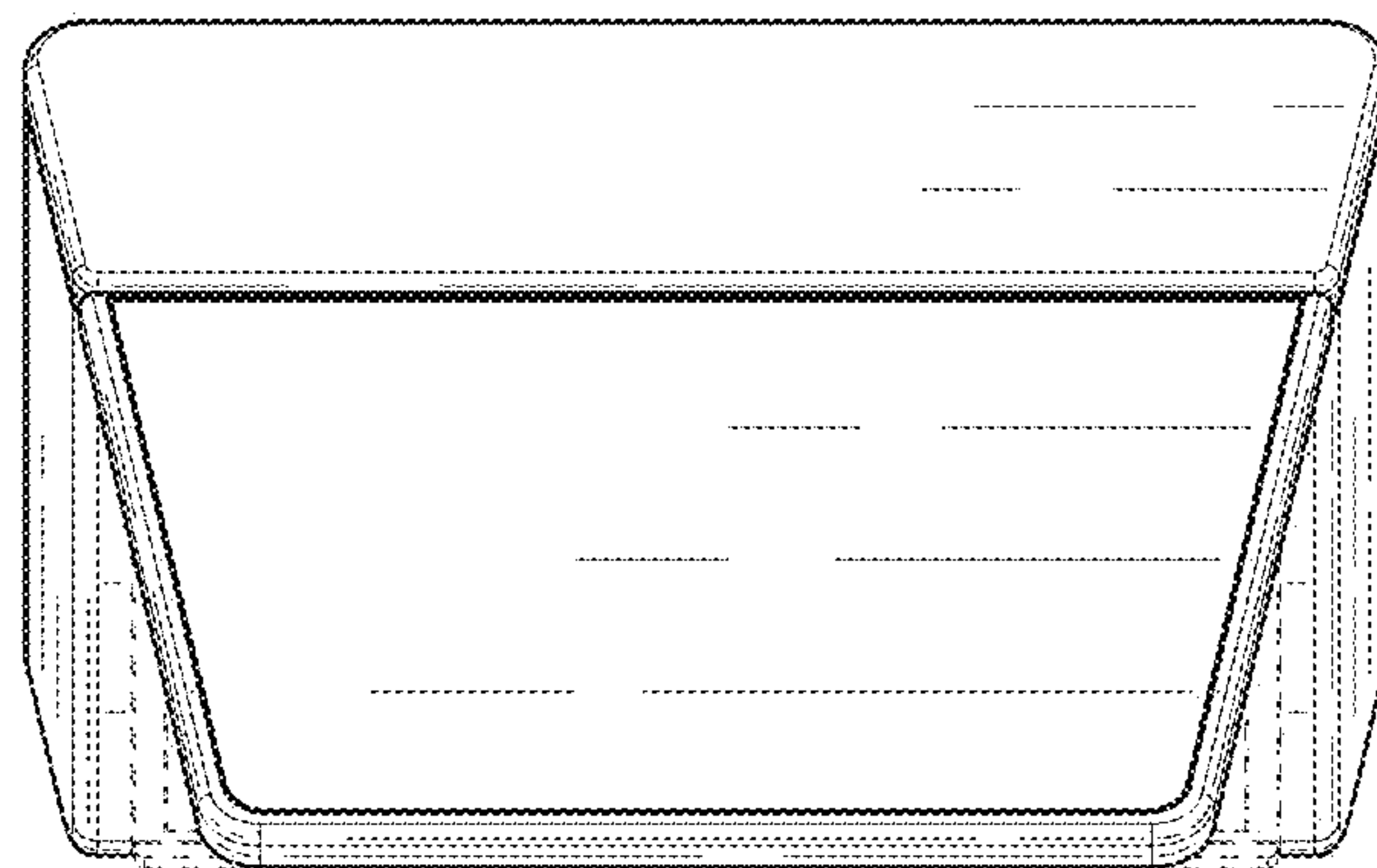


FIG. 4

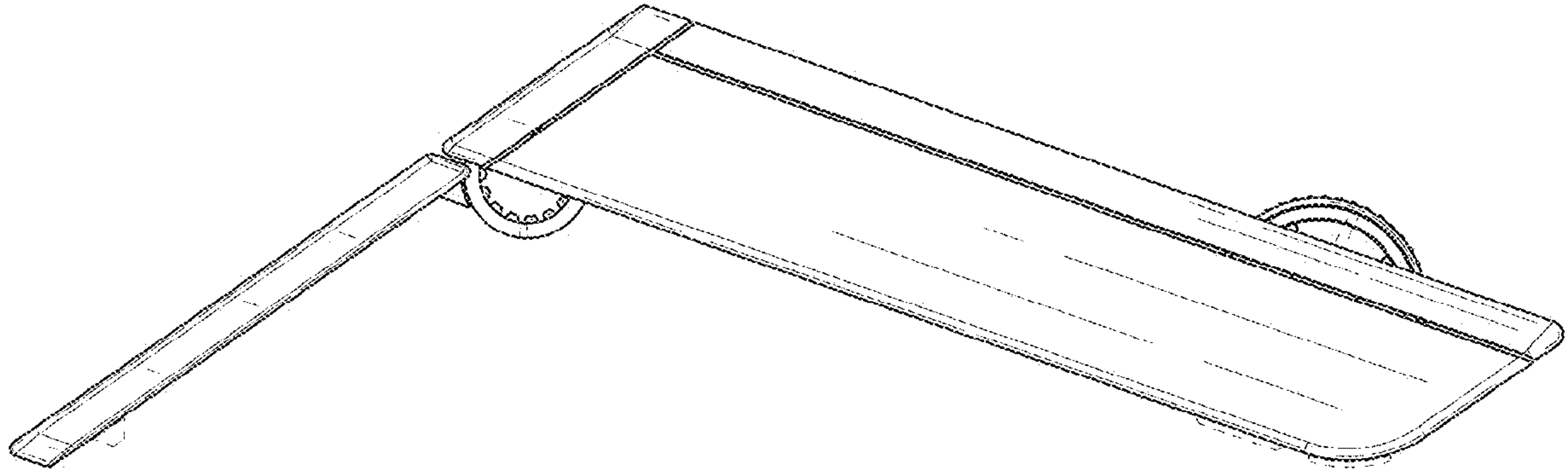


FIG. 5

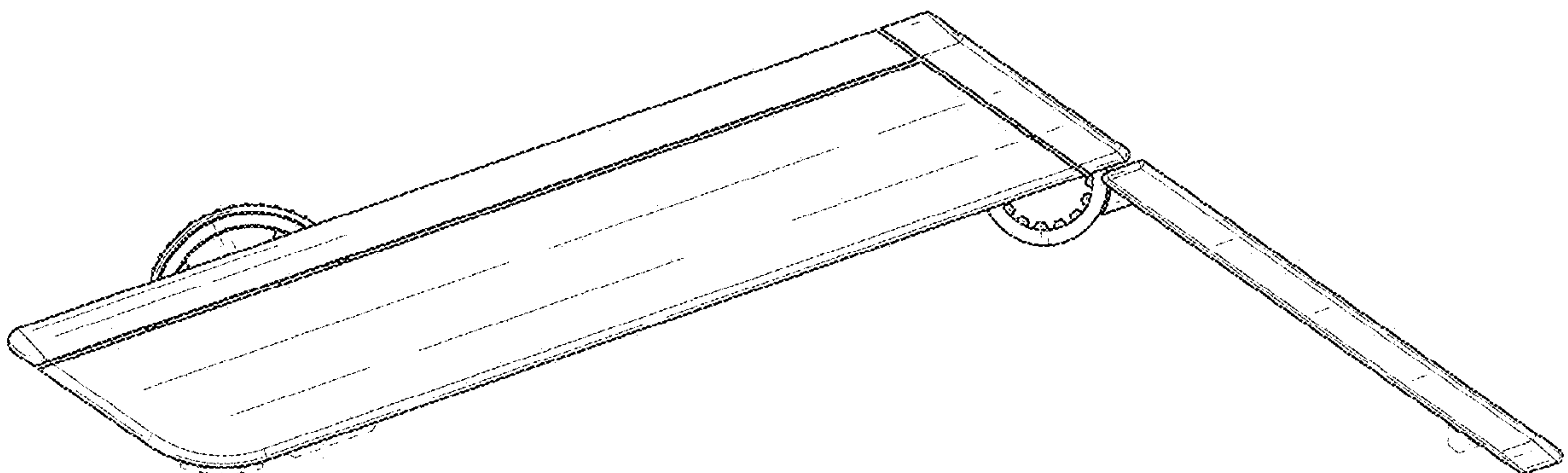


FIG. 6

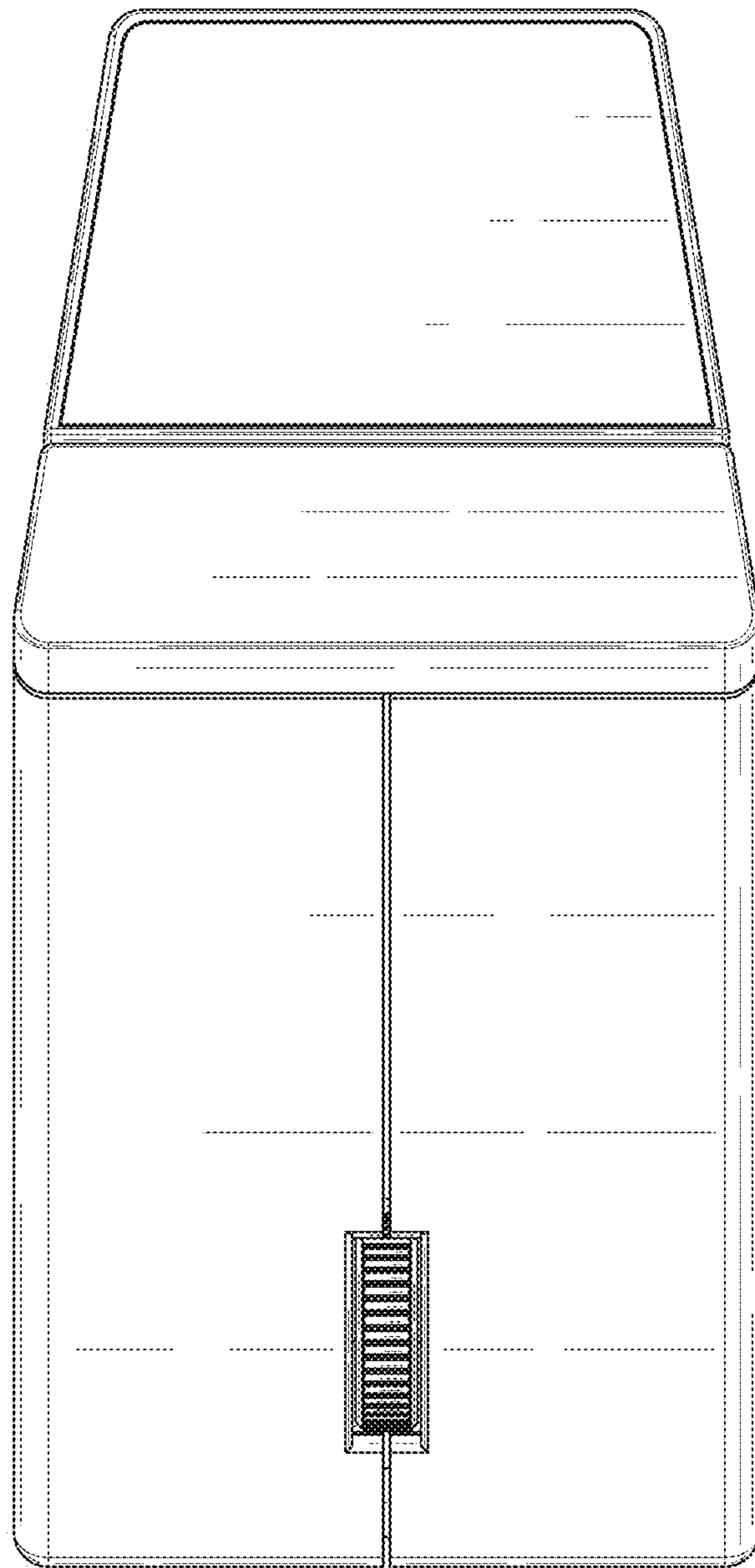


FIG. 7

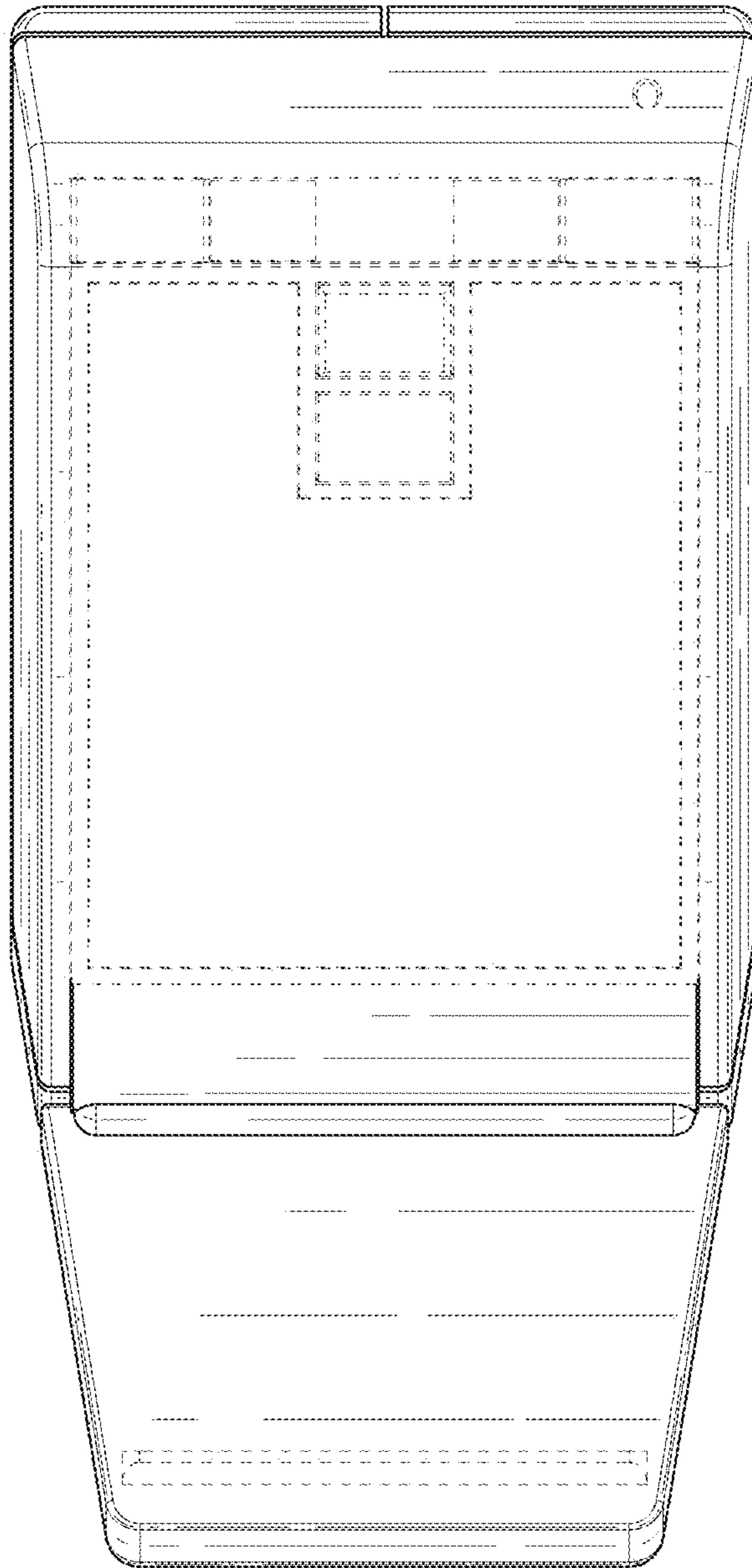


FIG. 8

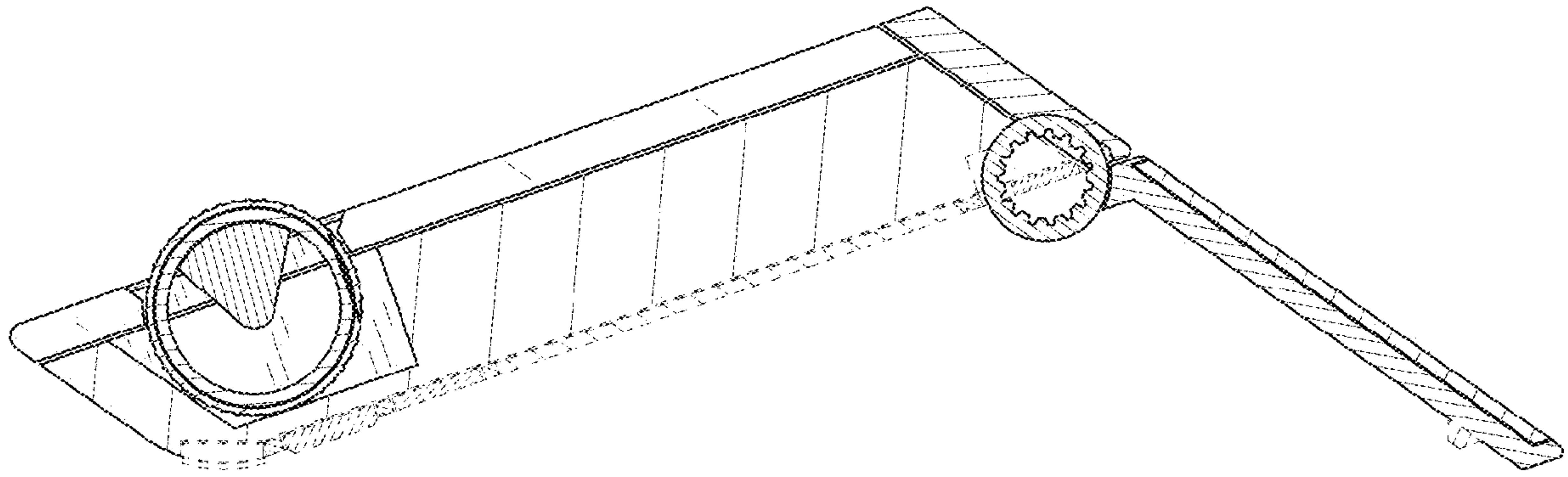


FIG. 9

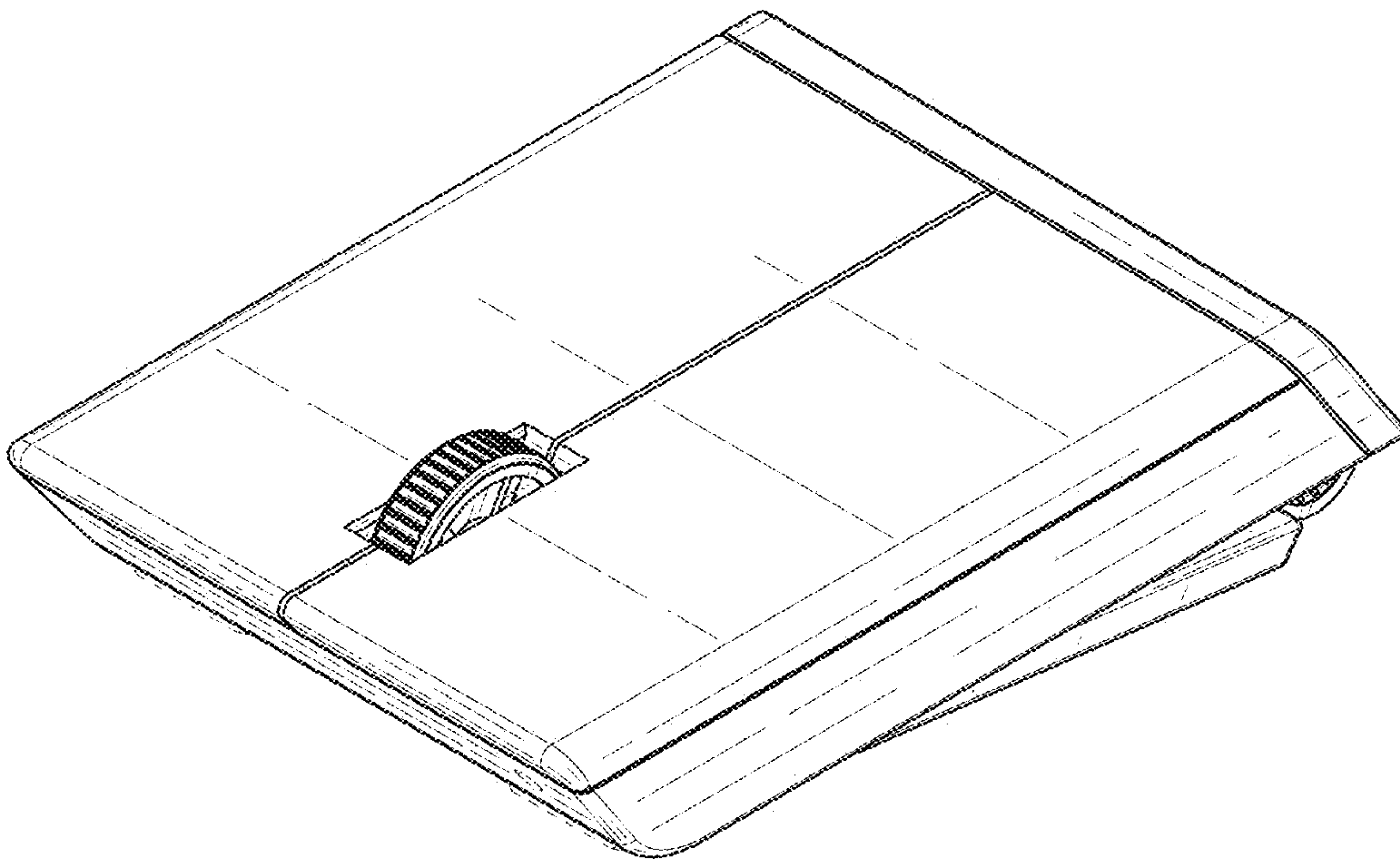


FIG. 10

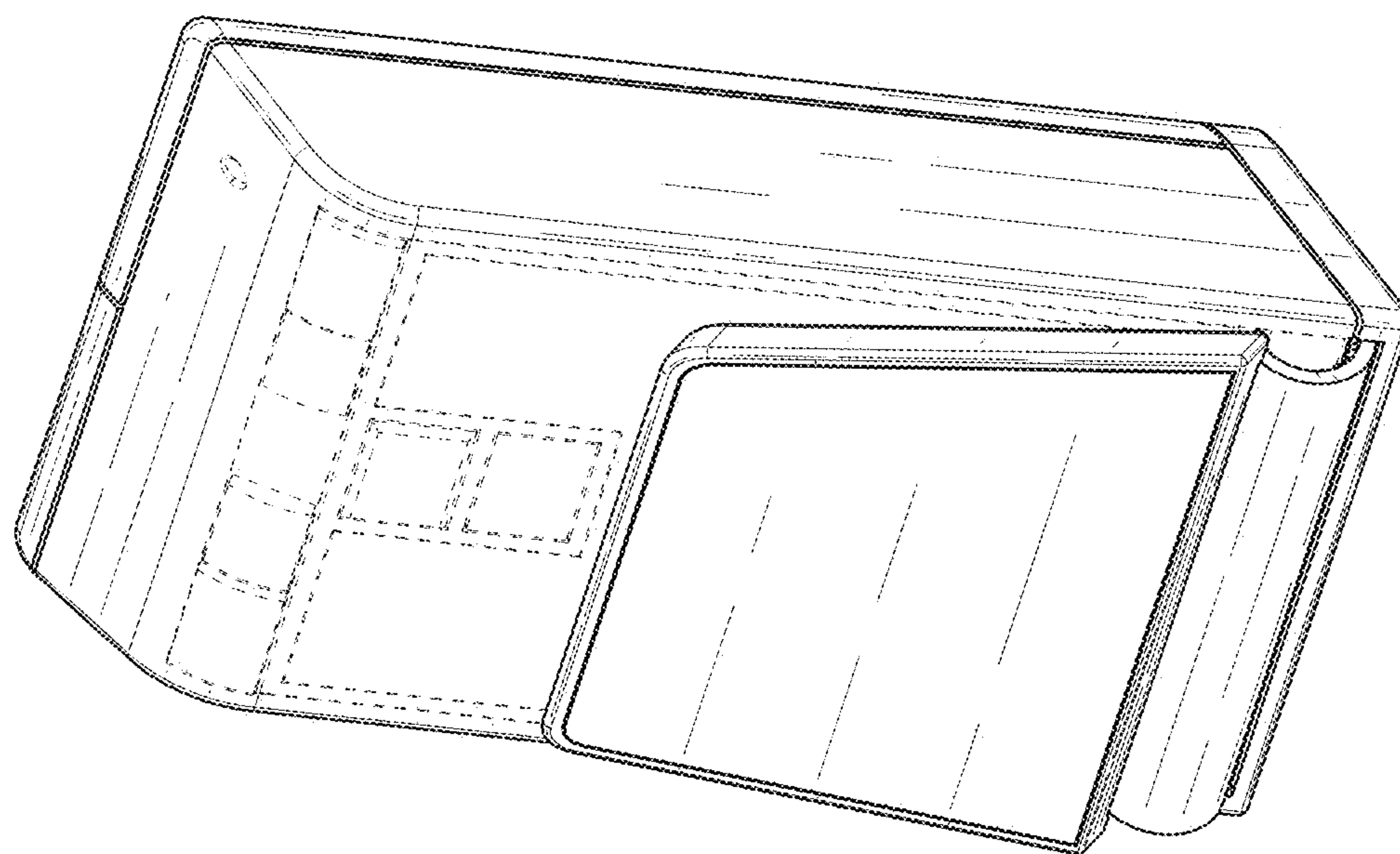


FIG. 11

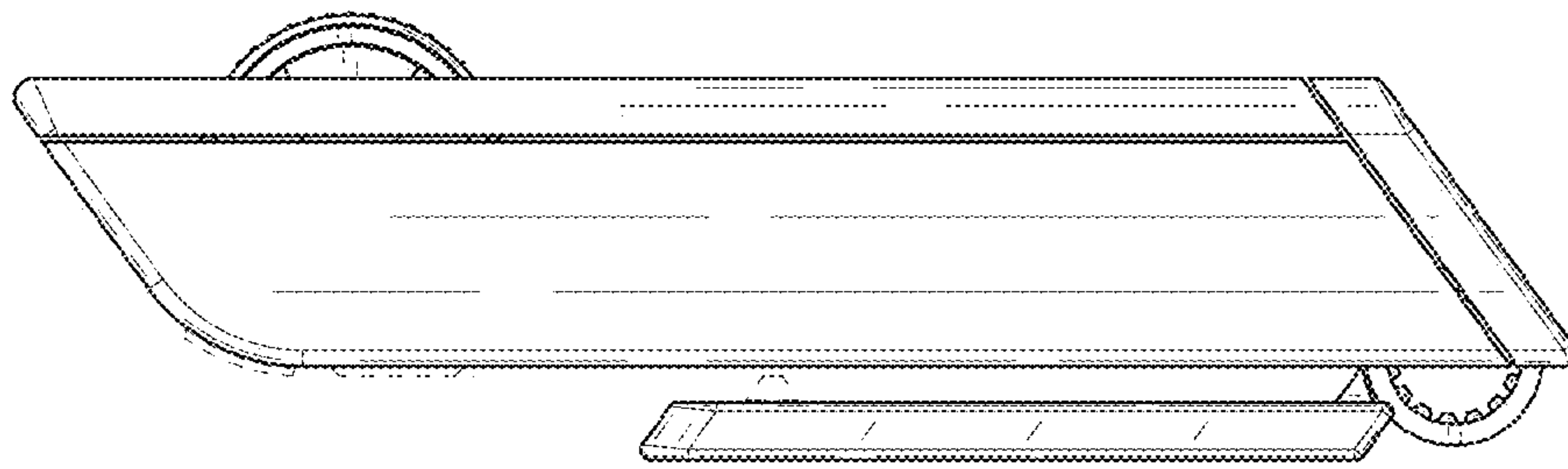


FIG. 12