



US00D948509S

(12) **United States Design Patent**
Cheng et al.

(10) **Patent No.:** **US D948,509 S**

(45) **Date of Patent:** **** Apr. 12, 2022**

(54) **MOUSE**

(71) Applicant: **Acer Incorporated**, New Taipei (TW)

(72) Inventors: **Yun Cheng**, New Taipei (TW);
Jung-Wei Tsao, New Taipei (TW);
Ker-Wei Lin, New Taipei (TW)

(73) Assignee: **Acer Incorporated**, New Taipei (TW)

(**) Term: **15 Years**

(21) Appl. No.: **29/748,731**

(22) Filed: **Sep. 1, 2020**

(30) **Foreign Application Priority Data**

Mar. 30, 2020 (TW) 109301754

(51) **LOC (13) Cl.** **14-03**

(52) **U.S. Cl.**
USPC **D14/407**; D14/402

(58) **Field of Classification Search**
USPC D14/402–411, 356, 388, 389, 383–385,
D14/417, 426; 345/156–167; 463/36–38;
358/471, 473; 273/148 B
CPC G06F 3/03543; G06F 2203/0333; G06F
3/039; G06F 3/038; G06F 2203/0384
See application file for complete search history.

(56) **References Cited**

U.S. PATENT DOCUMENTS

D304,447 S * 11/1989 Adams D14/407
D305,331 S * 1/1990 Esslinger D14/407
D335,874 S * 5/1993 Chen D14/407
D340,924 S * 11/1993 Tso D14/407
D534,168 S * 12/2006 Wada D14/407

D545,822 S * 7/2007 Murakami D14/402
D643,429 S * 8/2011 Ferwerda D14/407
D647,093 S * 10/2011 Kim D14/407
D662,096 S * 6/2012 Yu D14/407
D684,973 S * 6/2013 Myung D14/407
D757,728 S * 5/2016 Schoeck D14/407
D764,471 S * 8/2016 Klein D14/407
D765,078 S * 8/2016 Klein D14/407
D766,242 S * 9/2016 Moon D14/407
D769,245 S * 10/2016 Lee D14/407
D820,844 S * 6/2018 Jones D14/407
D910,631 S * 2/2021 Kauh D14/407
D933,069 S * 10/2021 Cho D14/407
D933,070 S * 10/2021 Cho D14/407
D933,658 S * 10/2021 Chen D14/407

* cited by examiner

Primary Examiner — Austin Murphy

(74) *Attorney, Agent, or Firm* — JCIPRNET

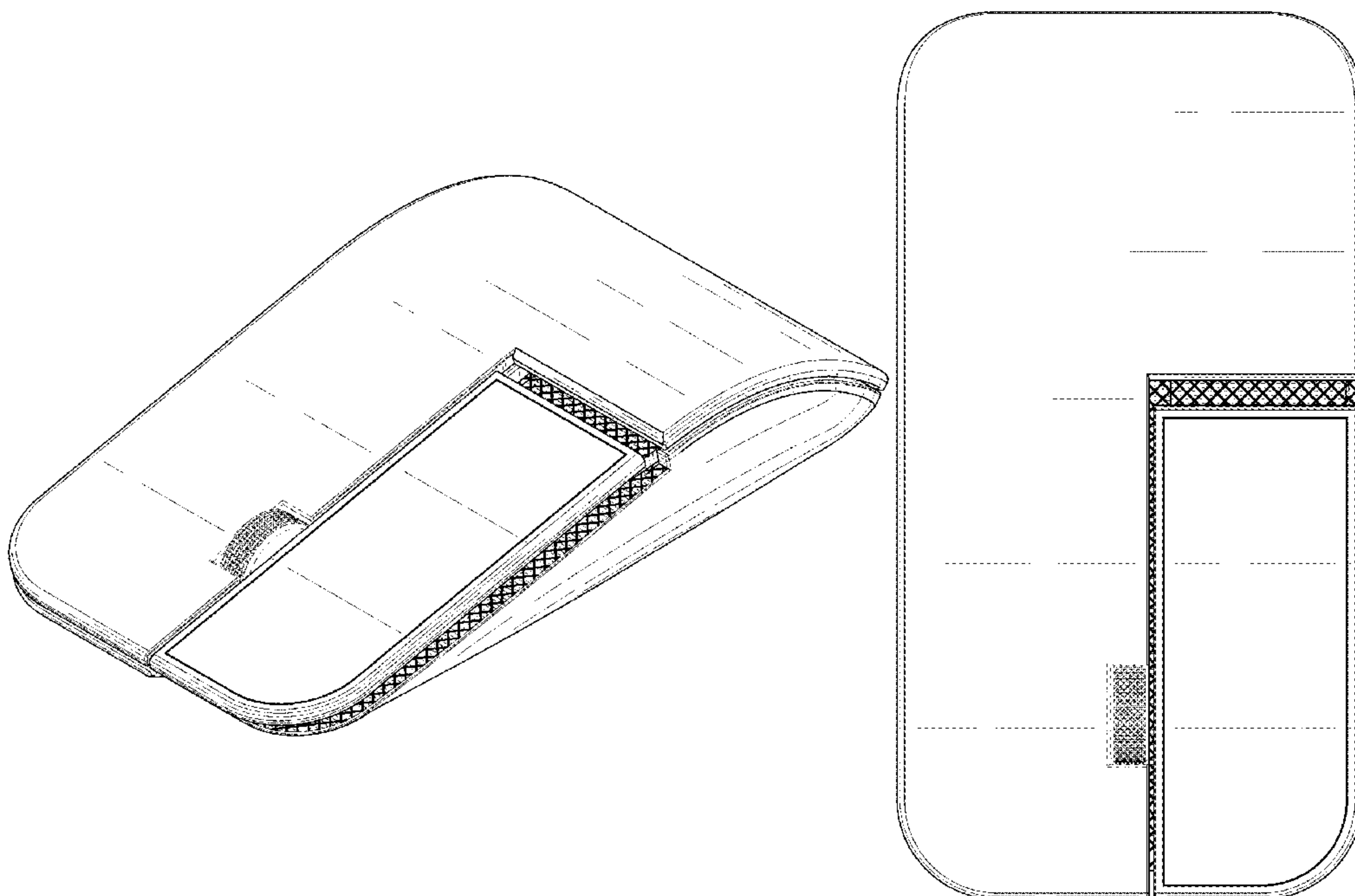
(57) **CLAIM**

The ornamental design for a mouse, as shown and described.

DESCRIPTION

FIG. 1 is a perspective view of a mouse showing our new design;
FIG. 2 is a front view thereof;
FIG. 3 is a rear view thereof;
FIG. 4 is a left side view thereof;
FIG. 5 is a right side view thereof;
FIG. 6 is a top view thereof;
FIG. 7 is a bottom view thereof; and,
FIG. 8 is a cross-sectional view taken along line 8-8 in FIG. 5.
The broken lines illustrate portions of the mouse that form no part of the claimed design.

1 Claim, 6 Drawing Sheets



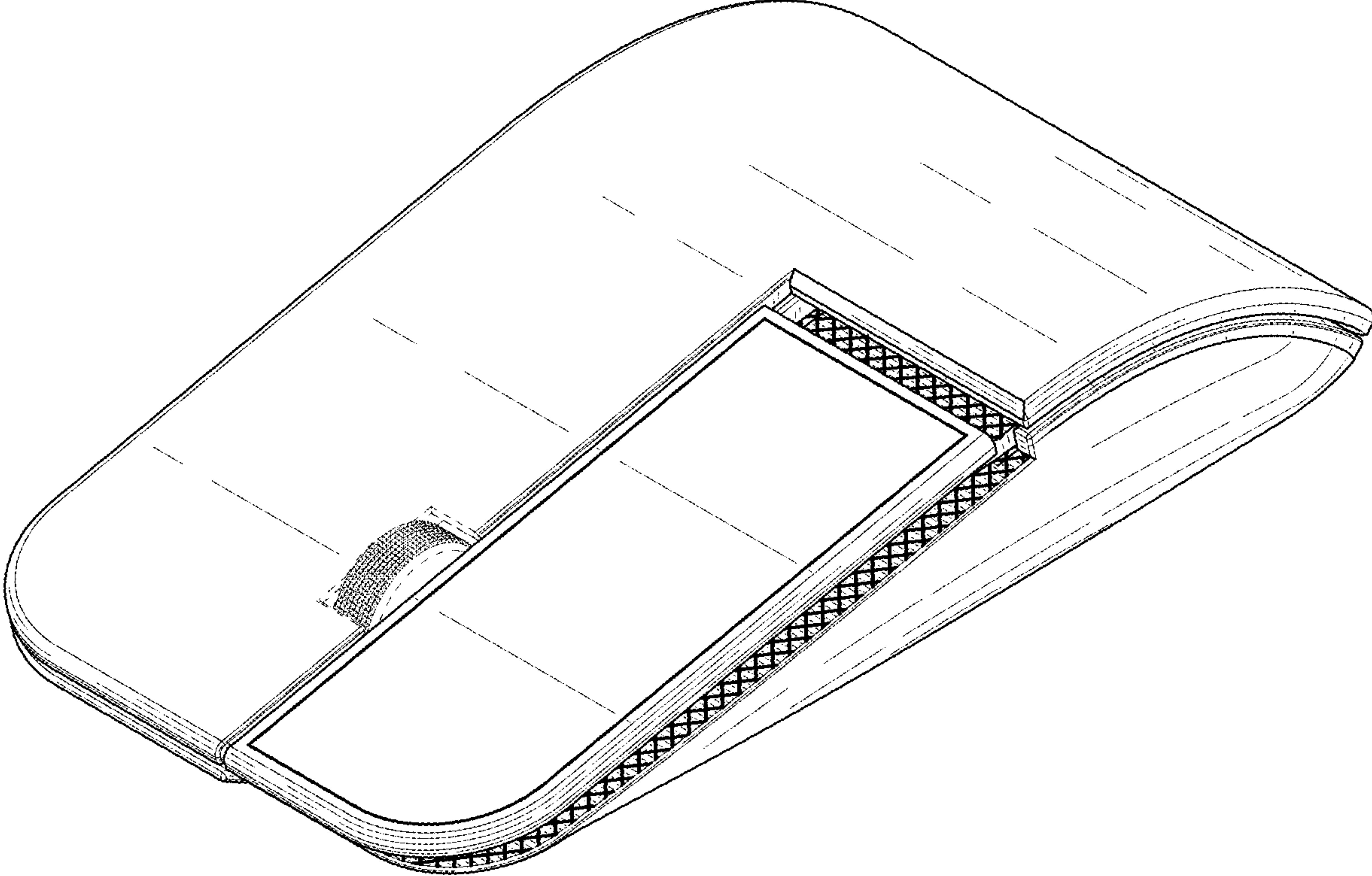


FIG. 1

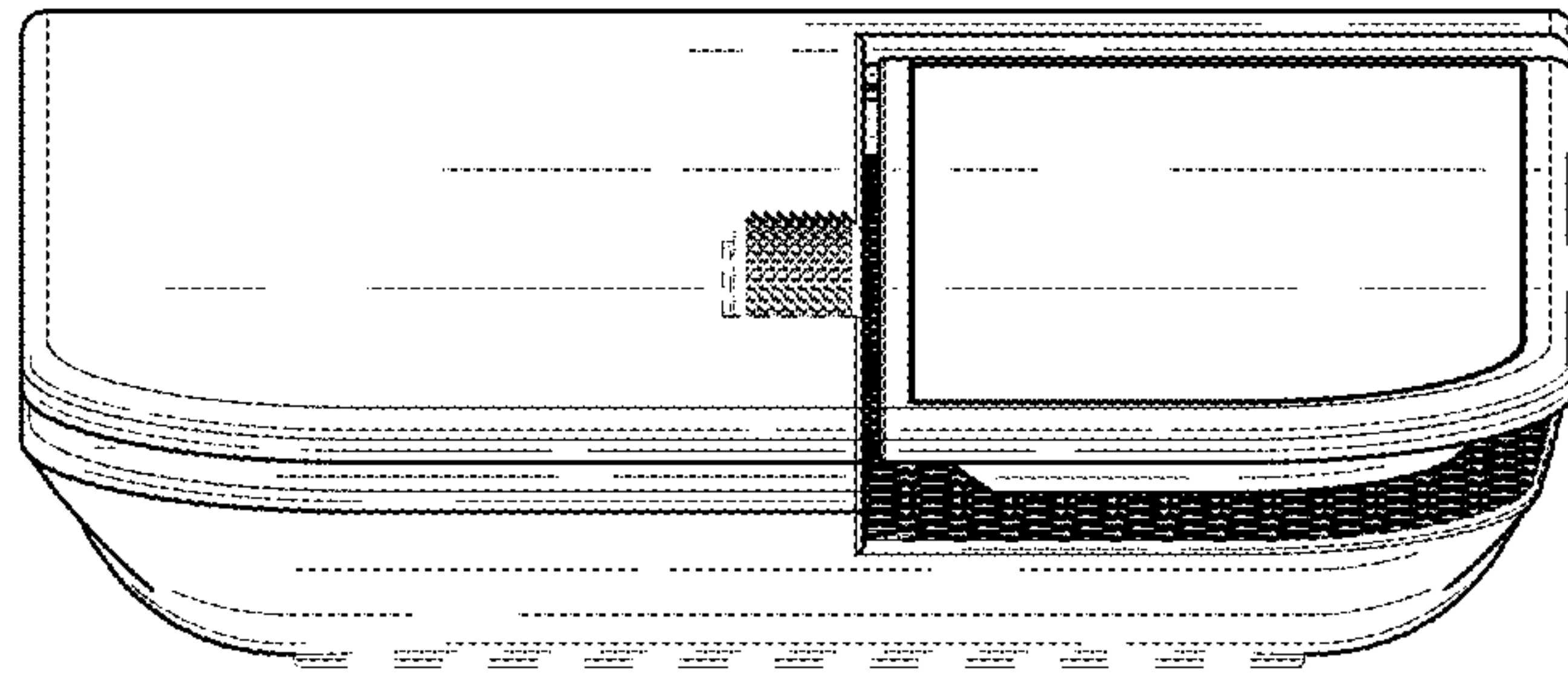


FIG. 2

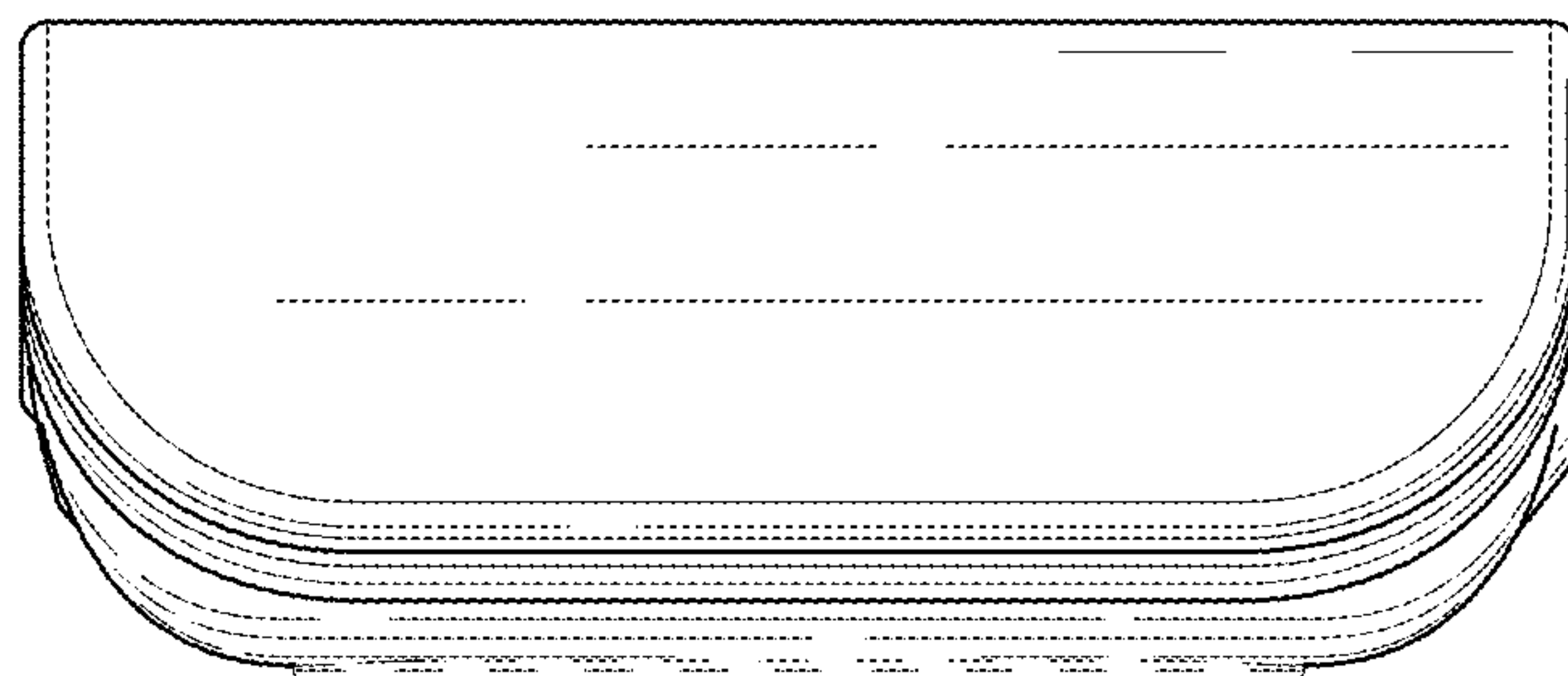


FIG. 3

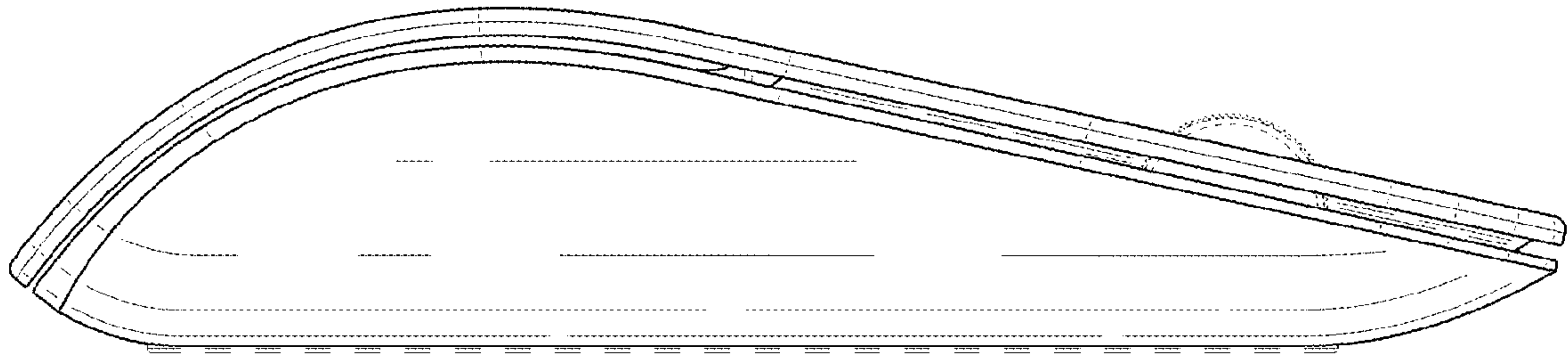


FIG. 4

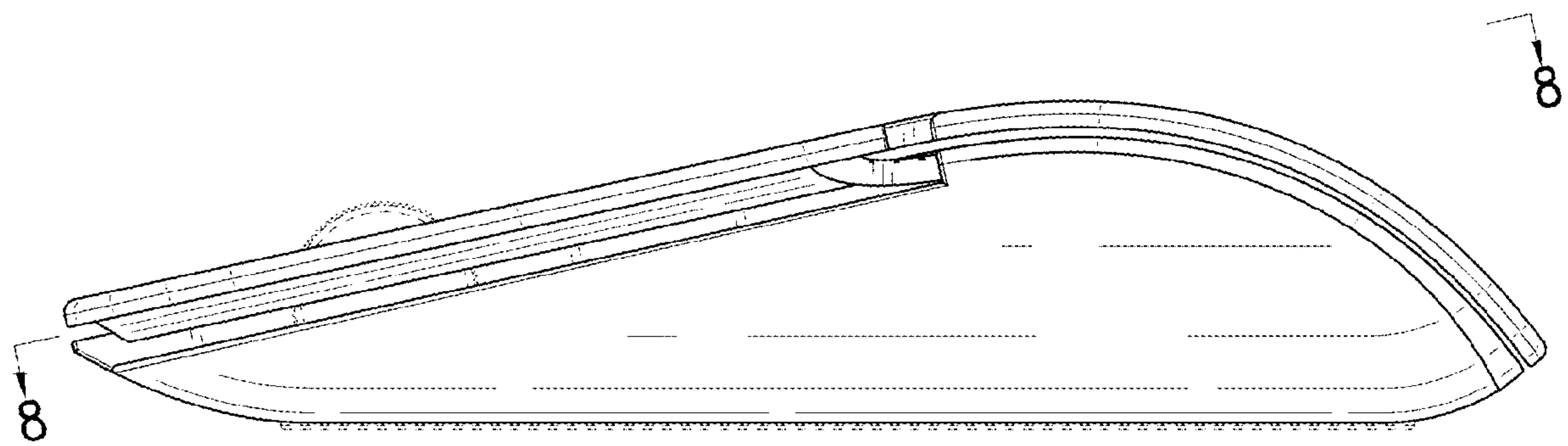


FIG. 5

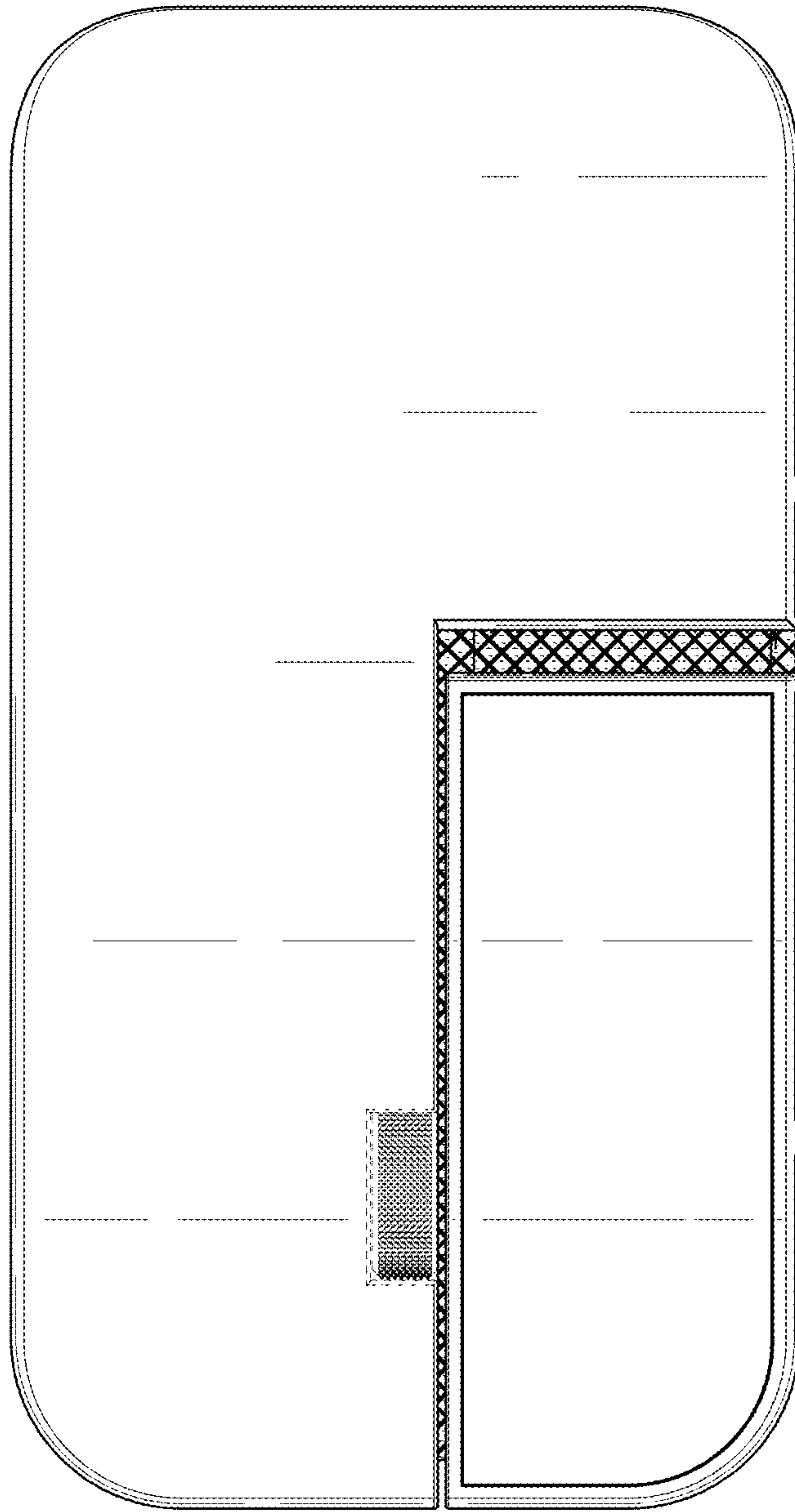


FIG. 6

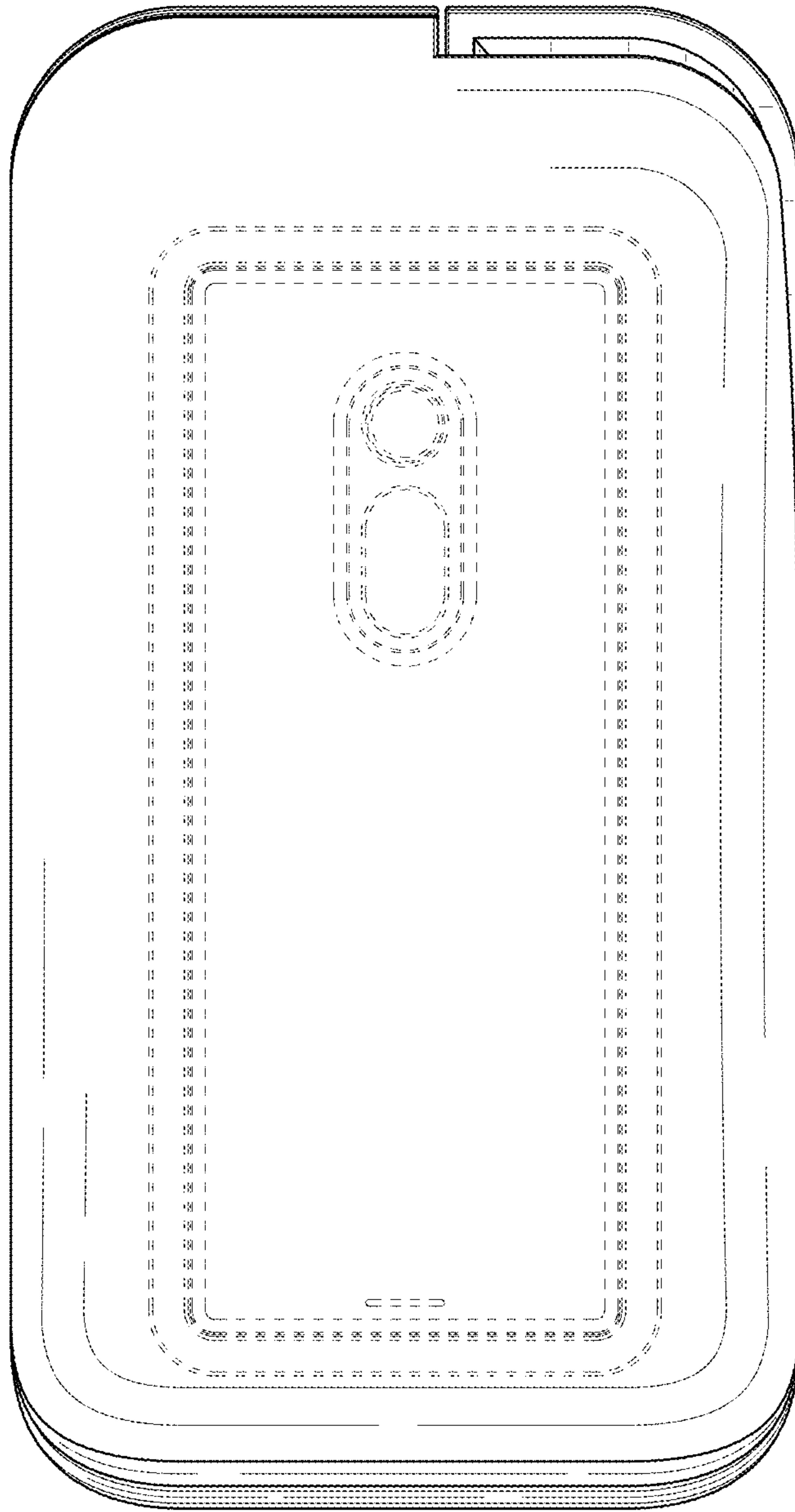


FIG. 7

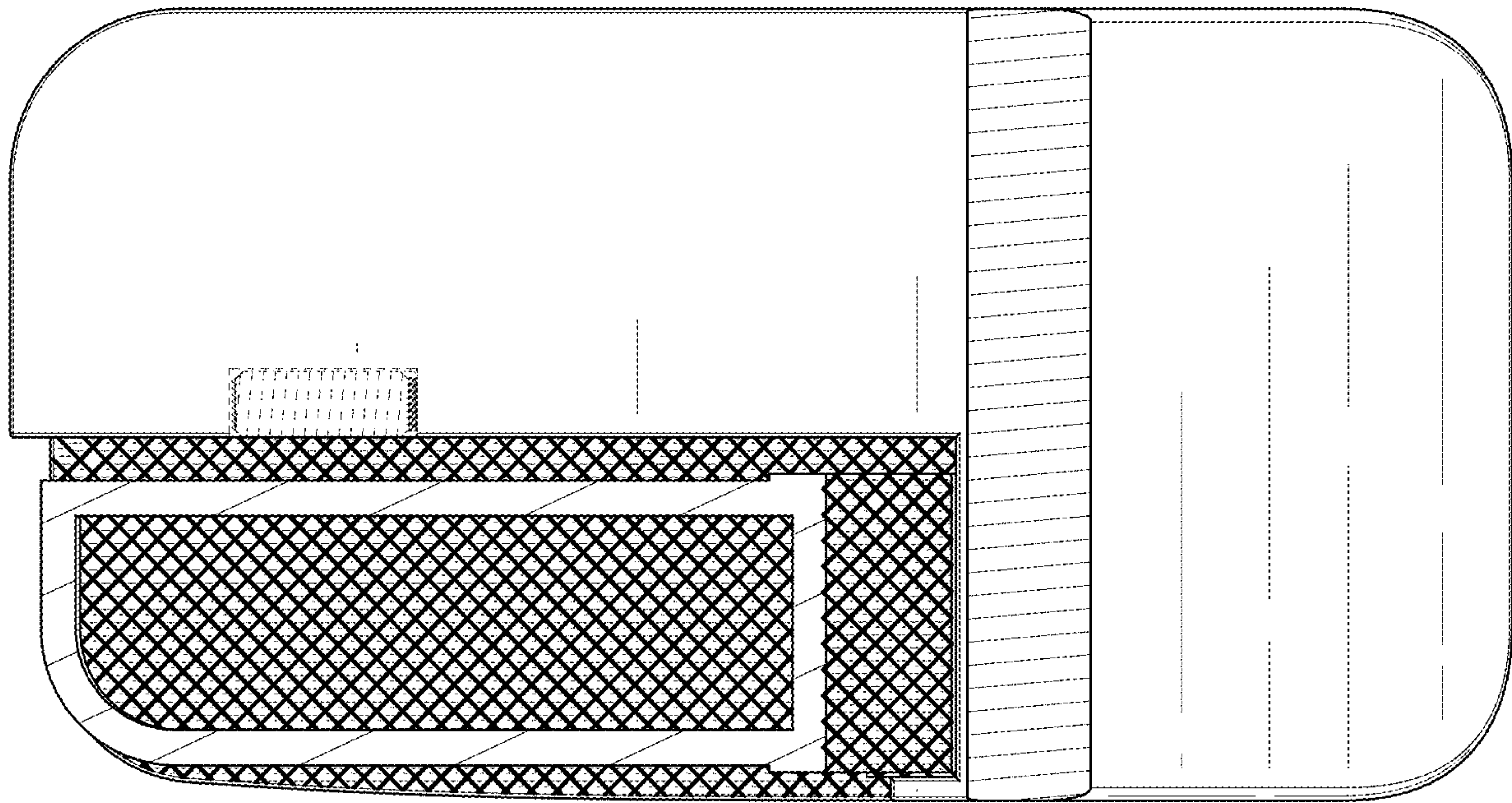


FIG. 8