



US00D948507S

(12) **United States Design Patent** (10) **Patent No.:** **US D948,507 S**
Caubel et al. (45) **Date of Patent:** **** *Apr. 12, 2022**

(54) **REMOTE CONTROL FOR DRONE**

(71) Applicant: **PARROT DRONES**, Paris (FR)

(72) Inventors: **Christine Caubel**, Vierzon (FR);
Thibaud Keller, Paris (FR)

(*) Notice: This patent is subject to a terminal disclaimer.

(**) Term: **15 Years**

(21) Appl. No.: **35/506,811**

(22) Filed: **Nov. 30, 2018**

(80) **Hague Agreement Data**

Int. Filing Date: **Nov. 30, 2018**

Int. Reg. No.: **DM/201204**

Int. Reg. Date: **Nov. 30, 2018**

Int. Reg. Pub. Date: **Jun. 7, 2019**

(30) **Foreign Application Priority Data**

May 30, 2018 (EM) 005289493-0001

May 30, 2018 (EM) 005289493-0002

(51) **LOC (13) Cl.** **14-02**

(52) **U.S. Cl.**
USPC **D14/388**; D21/566; D14/412

(58) **Field of Classification Search**
USPC D14/214, 388, 401, 412; D21/321, 566,
D21/696

See application file for complete search history.

(56) **References Cited**

U.S. PATENT DOCUMENTS

D453,758 S * 2/2002 Han D14/401
D702,684 S * 4/2014 Huang D14/401
D711,878 S * 8/2014 Bellinghausen D14/401
D712,970 S * 9/2014 Biheller D21/330
D749,527 S * 2/2016 Li D13/168

D801,893 S * 11/2017 Simoens D12/174
9,886,033 B2 * 2/2018 Seydoux G05D 1/0016
D816,000 S * 4/2018 Simoens D12/174
D816,674 S * 5/2018 Wu D14/401
D828,463 S * 9/2018 Xiao D21/566
D839,969 S * 2/2019 Kim D21/566
D844,716 S * 4/2019 Gan D21/566
D851,710 S * 6/2019 Zhou D21/566
D854,015 S * 7/2019 Wang D14/412
D864,312 S * 10/2019 Kim D21/566
D868,177 S * 11/2019 Chen D21/566
D870,825 S * 12/2019 Wang D21/566
2016/0297522 A1 * 10/2016 Brulez B64C 39/024
2019/0236934 A1 * 8/2019 Kitazawa G08C 17/02
2019/0287387 A1 * 9/2019 Keller H04B 1/3877

* cited by examiner

Primary Examiner — Katherine Glennon

(57) **CLAIM**

The ornamental design for a remote control for a drone, as shown and described.

DESCRIPTION

1.1 is a front view of remote control for a drone, shown with a closed support;

1.2 is a rear view thereof;

1.3 is a left view thereof;

1.4 is a right view thereof;

1.5 is a top plan view thereof;

1.6 is a bottom plan view thereof;

1.7 is a perspective view thereof;

2.1 is a front view of the remote control for a drone, shown with an open support;

2.2 is a rear view thereof;

2.3 is a left view thereof;

2.4 is a right view thereof;

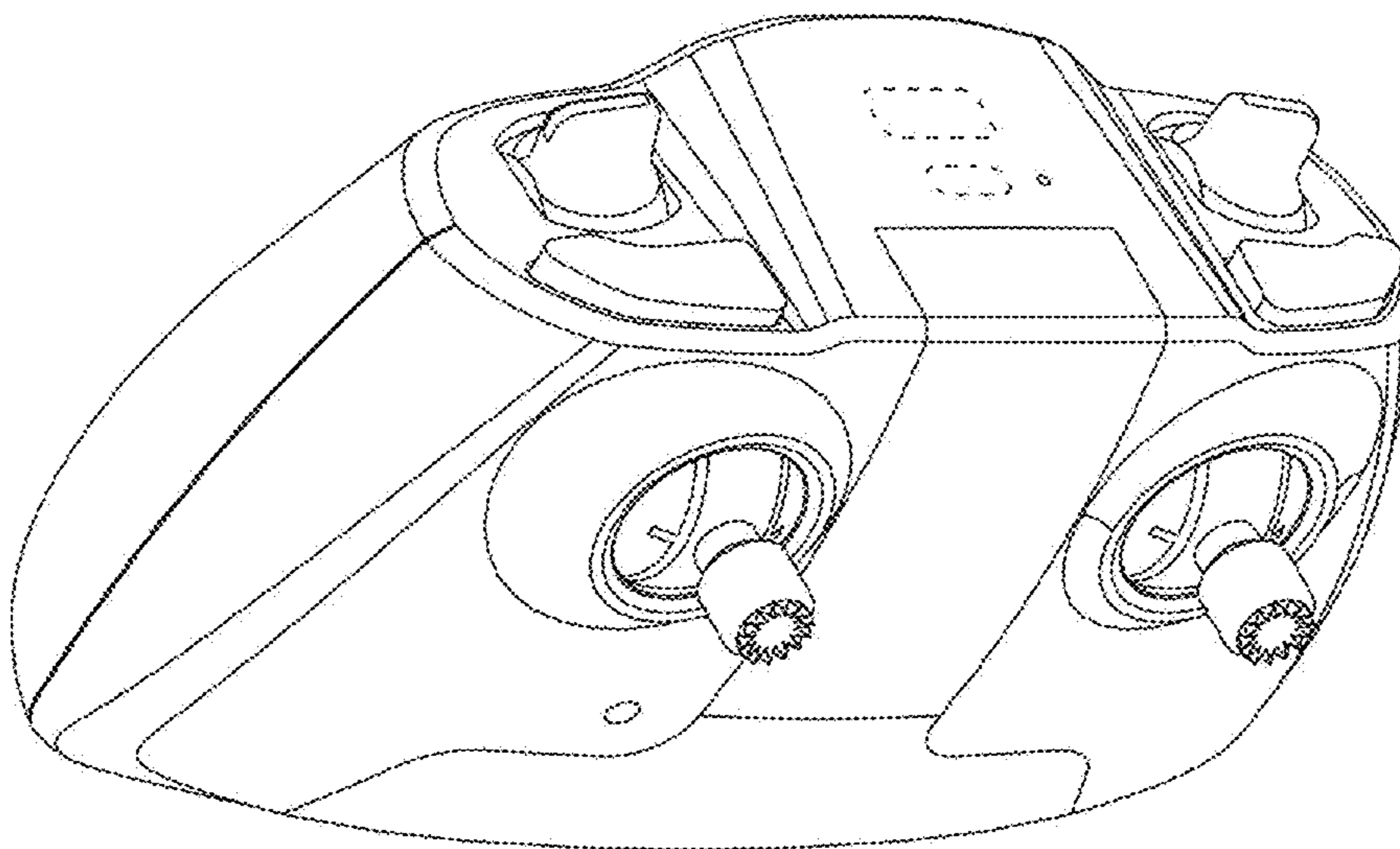
2.5 is a top plan view thereof;

2.6 is a bottom plan view thereof; and

2.7 is a perspective view thereof.

The portions of the remote control for a drone shown in broken lines form no part of the claimed design.

1 Claim, 13 Drawing Sheets



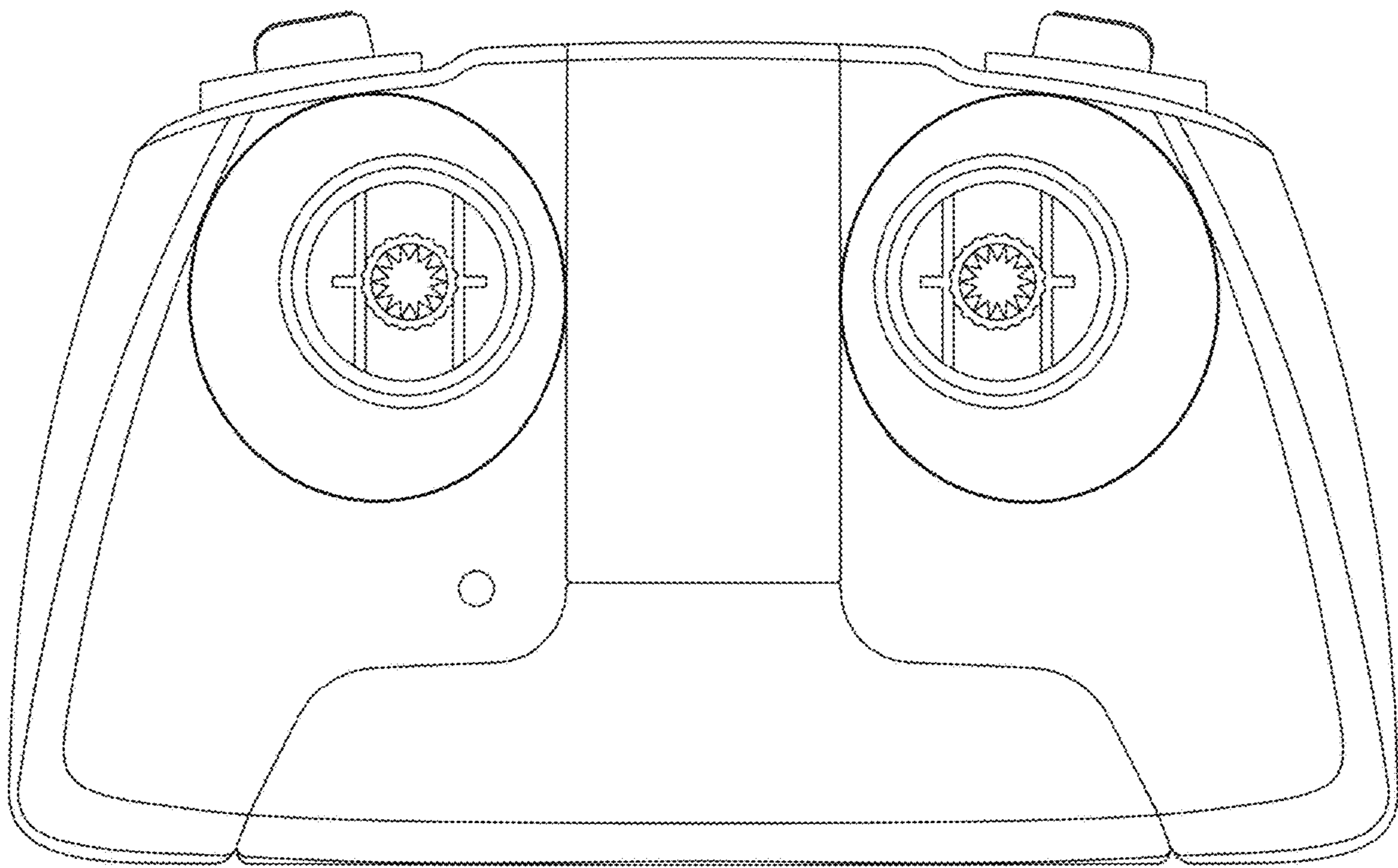


Fig. 1.1

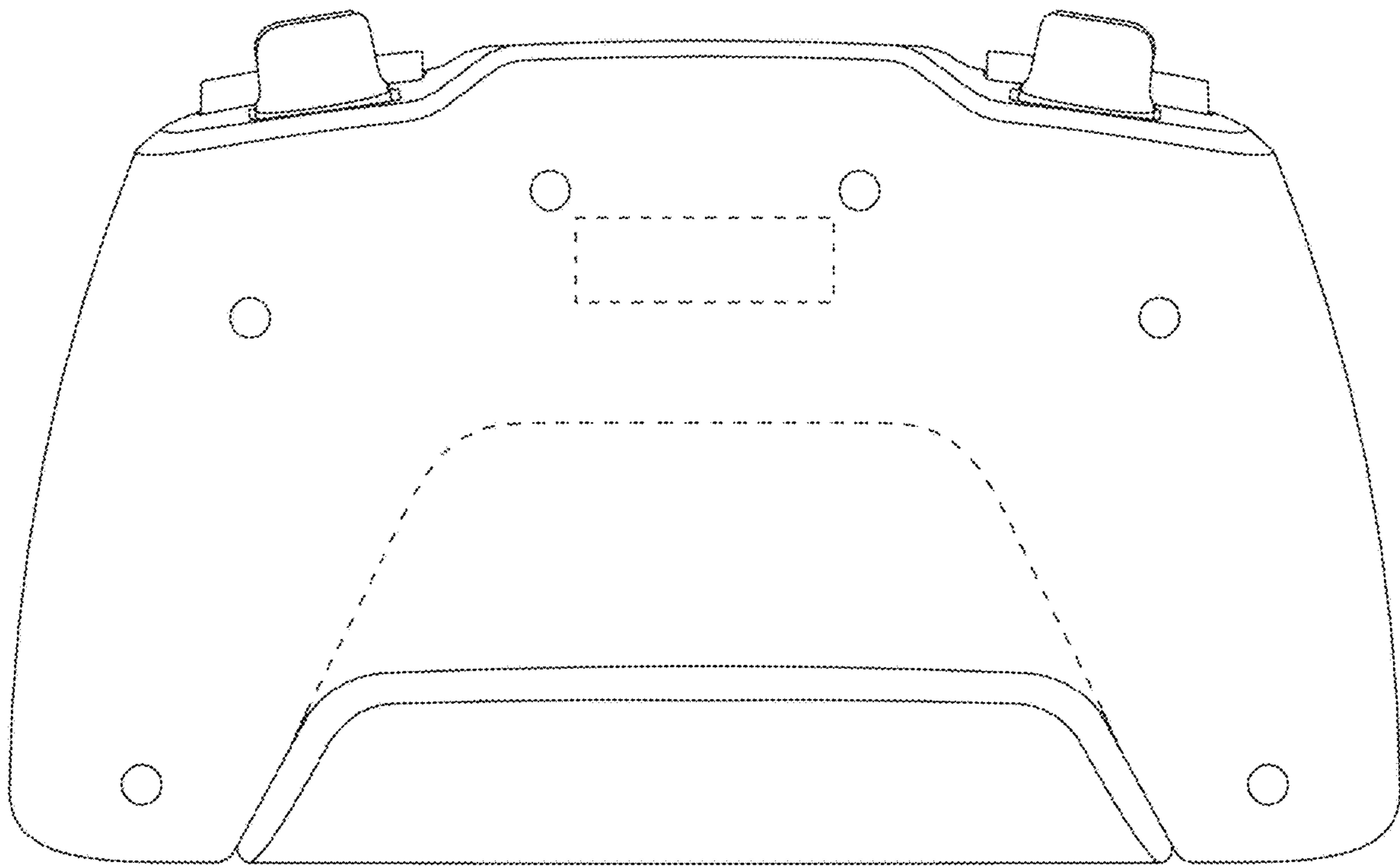


Fig. 1.2

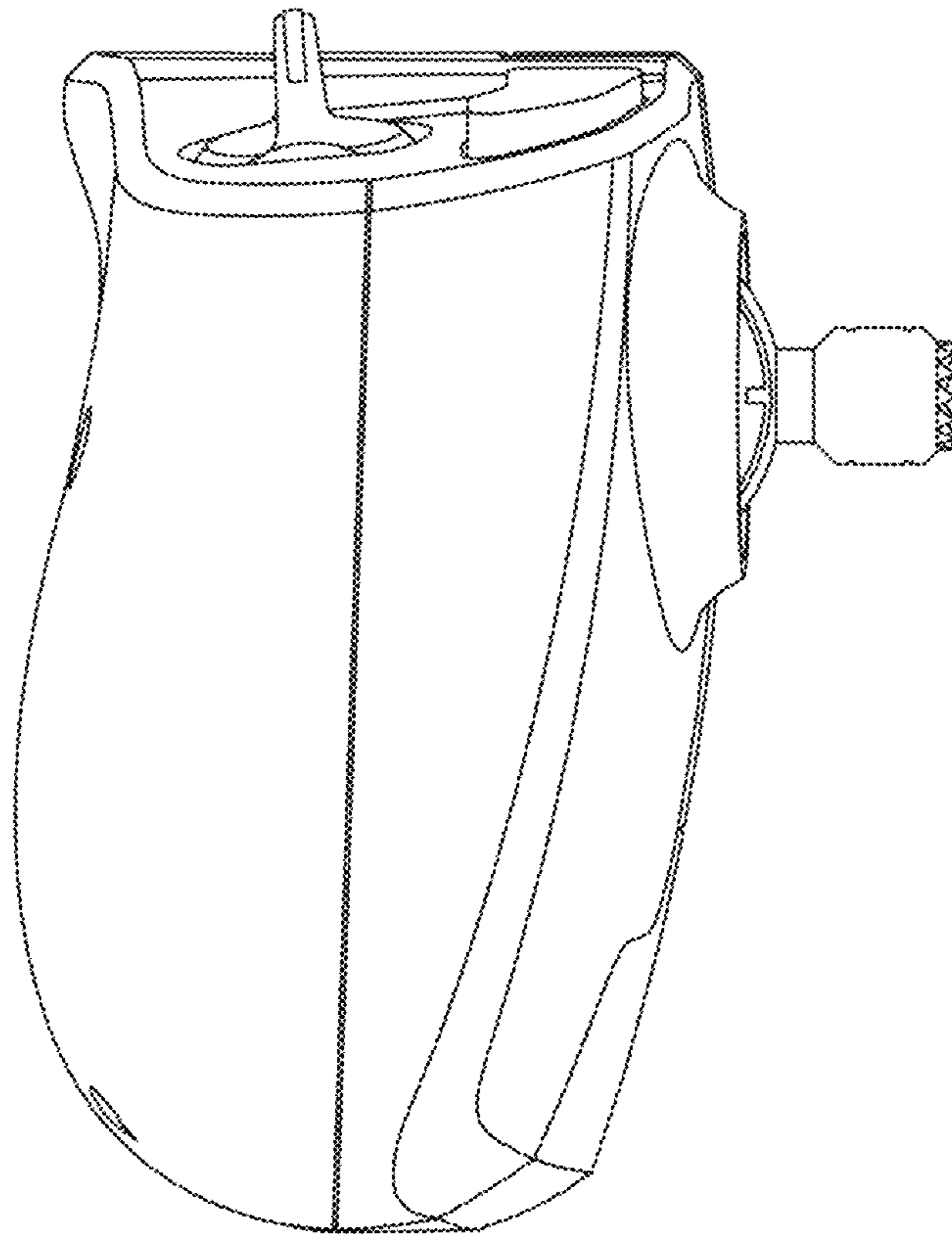


Fig. 1.3

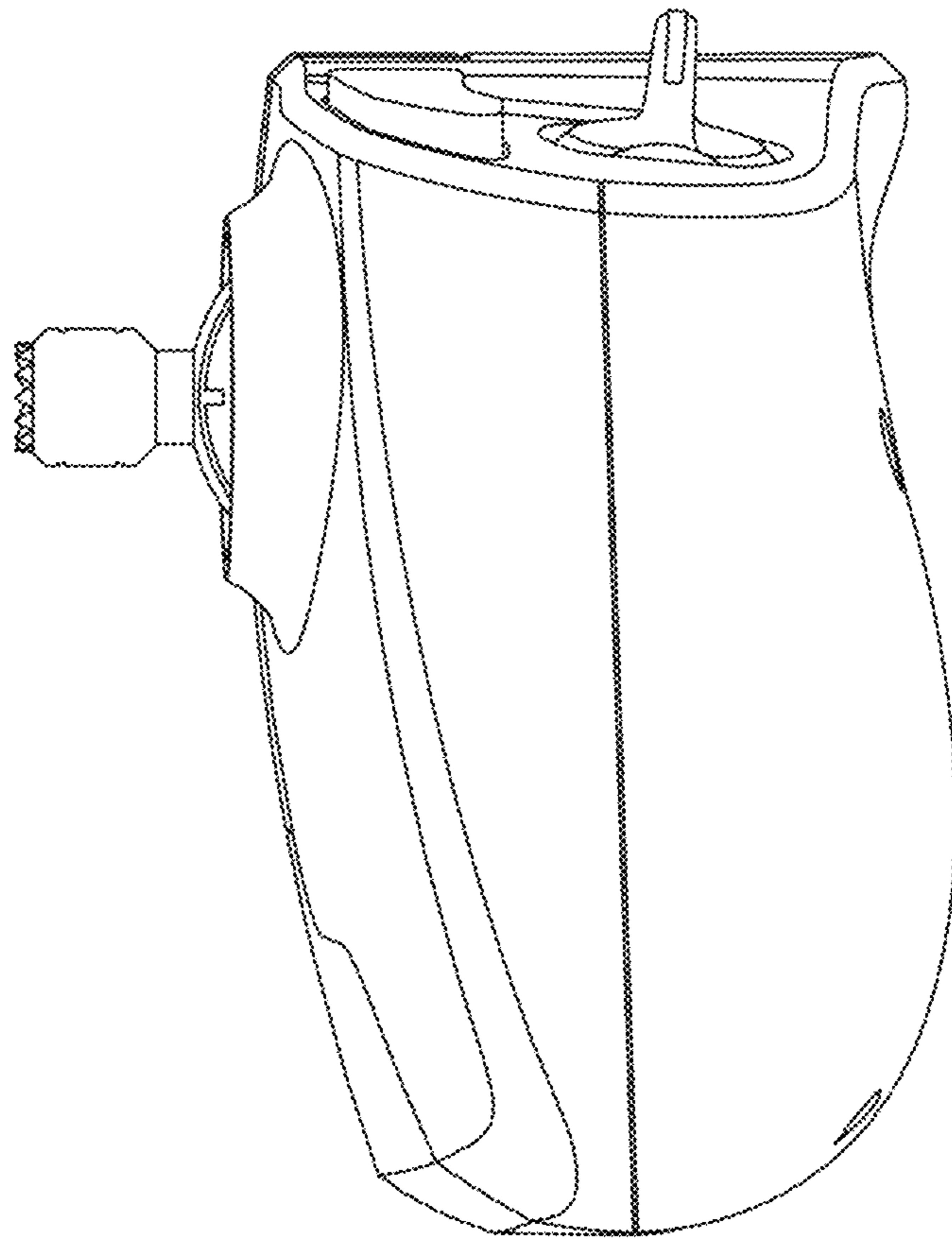


Fig. 1.4

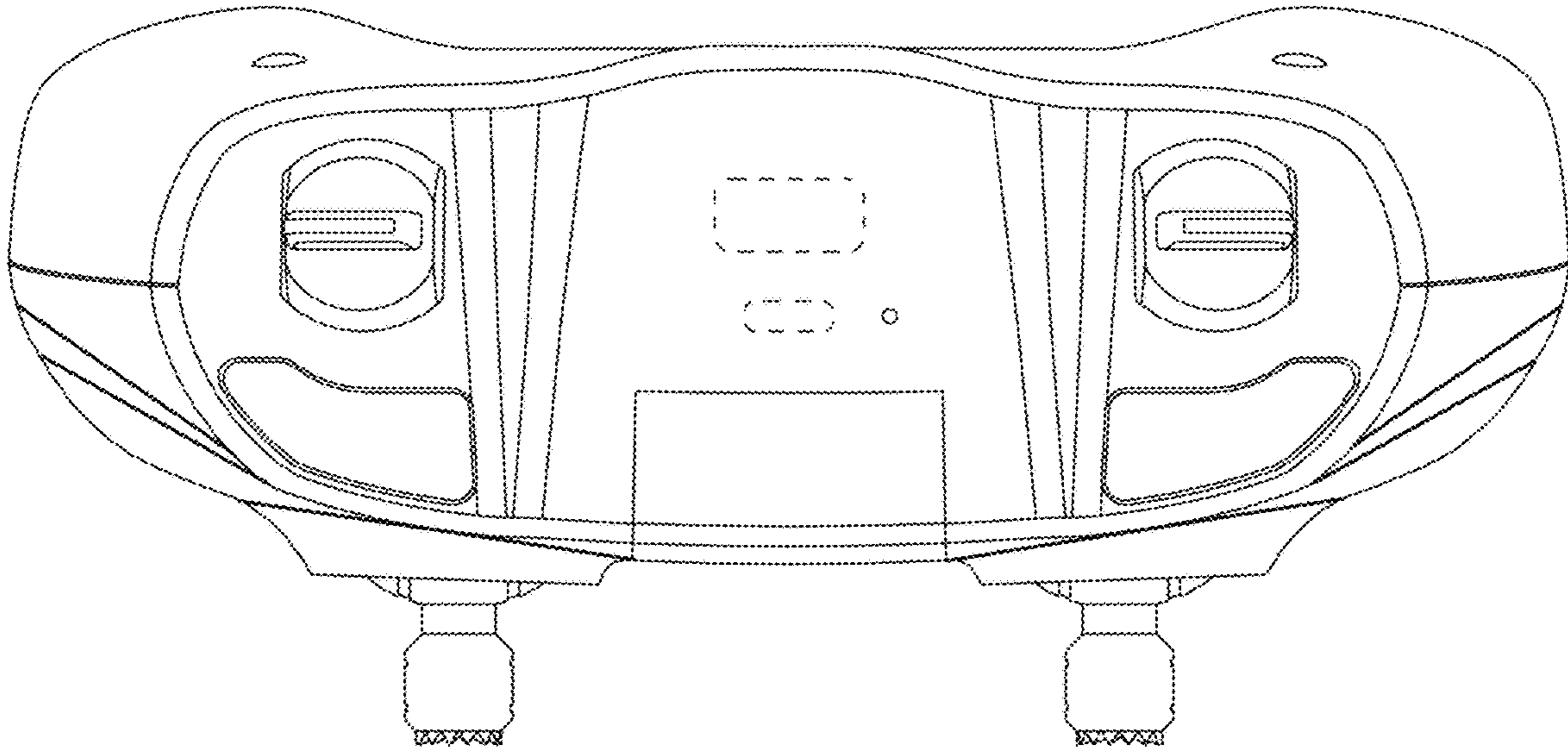


Fig. 1.5

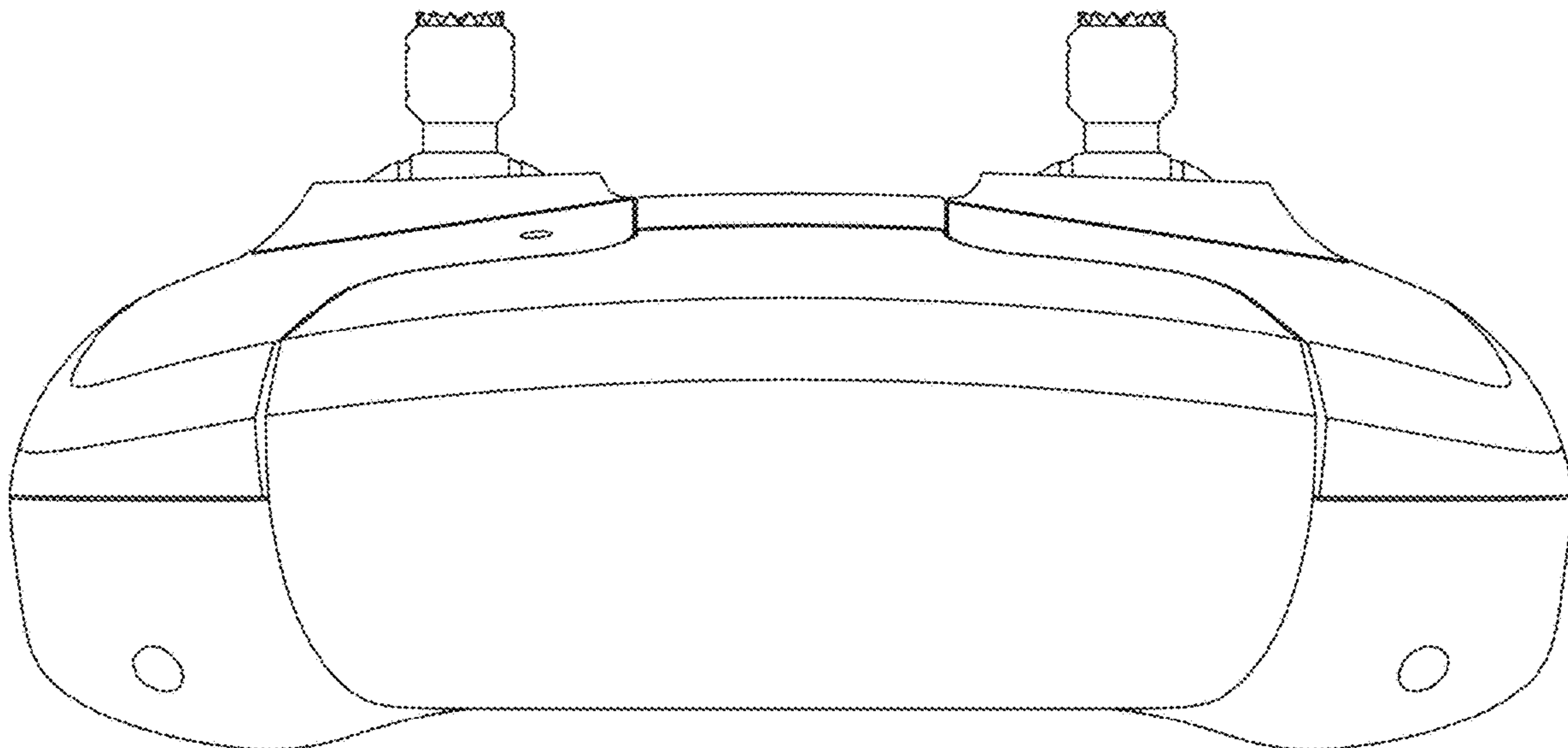


Fig. 1.6

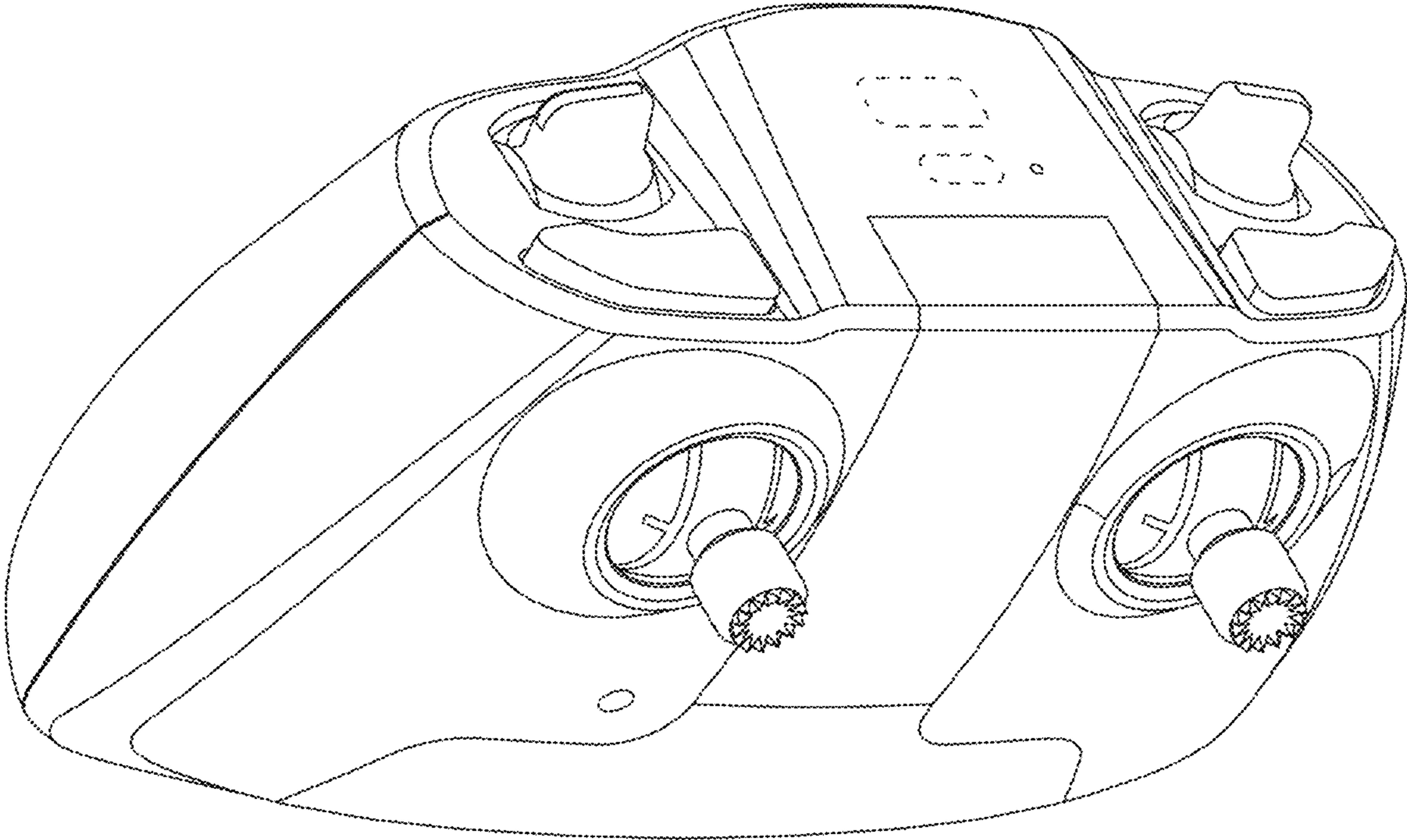


Fig. 1.7

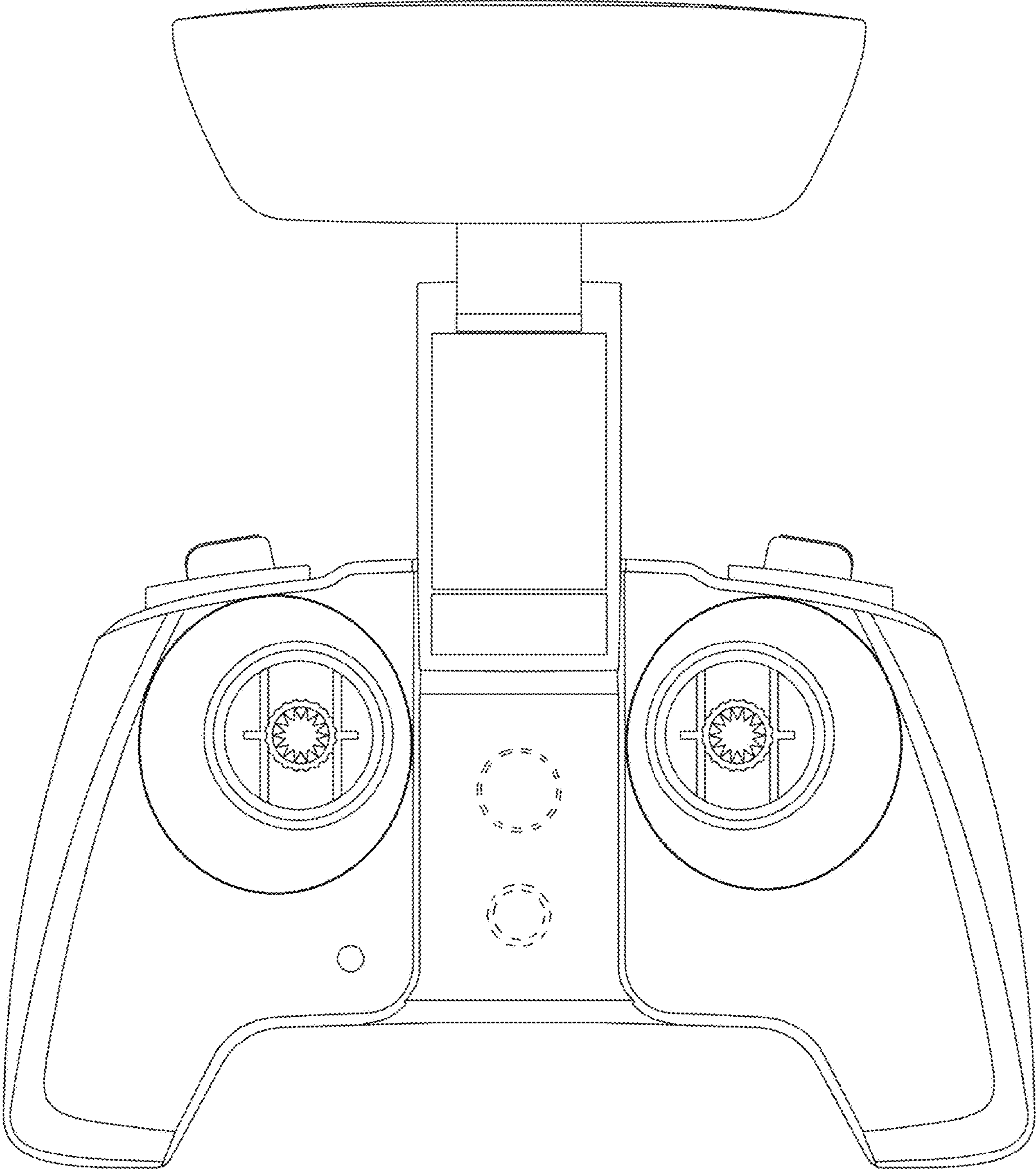


Fig. 2.1

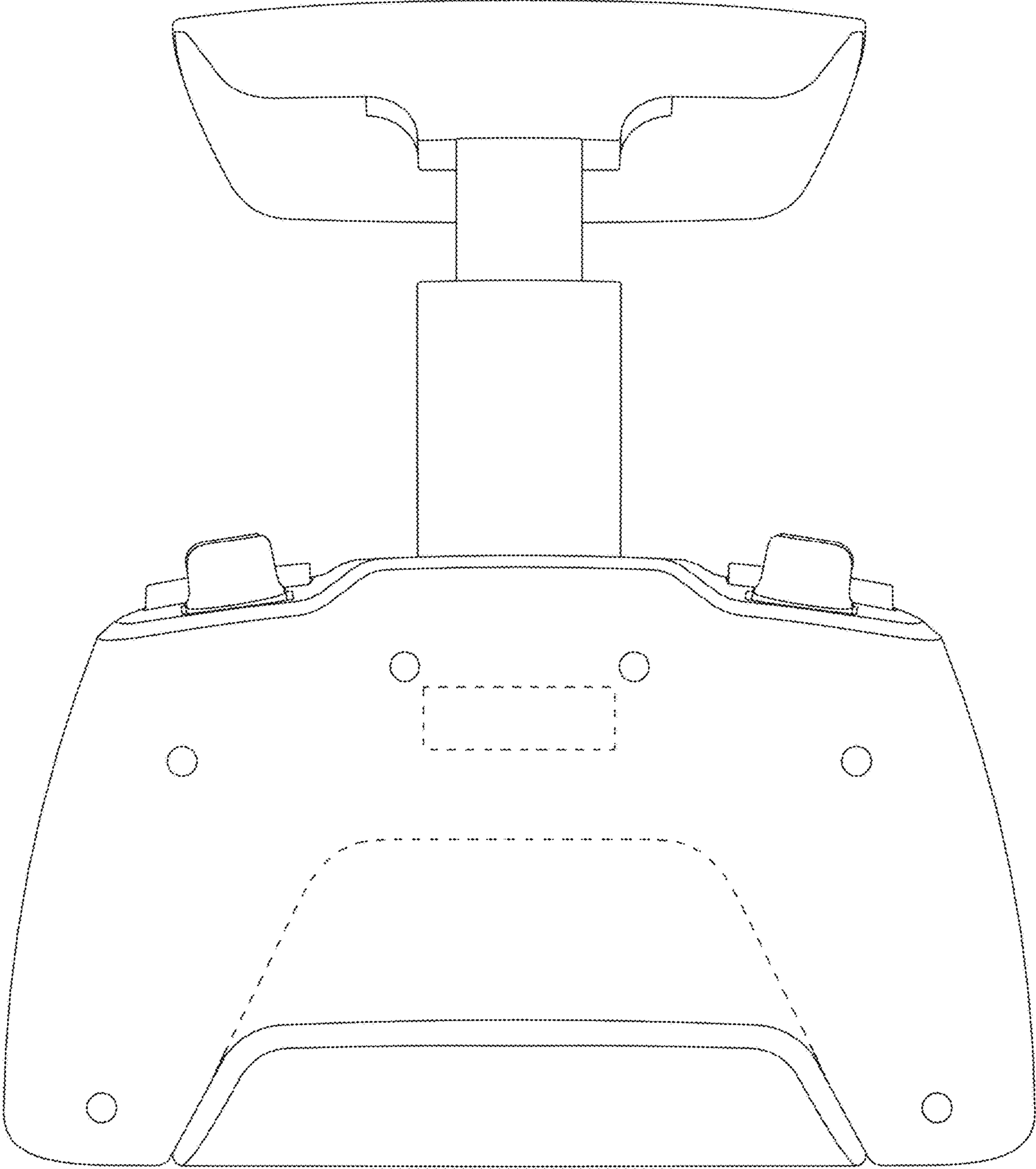


Fig. 2.2

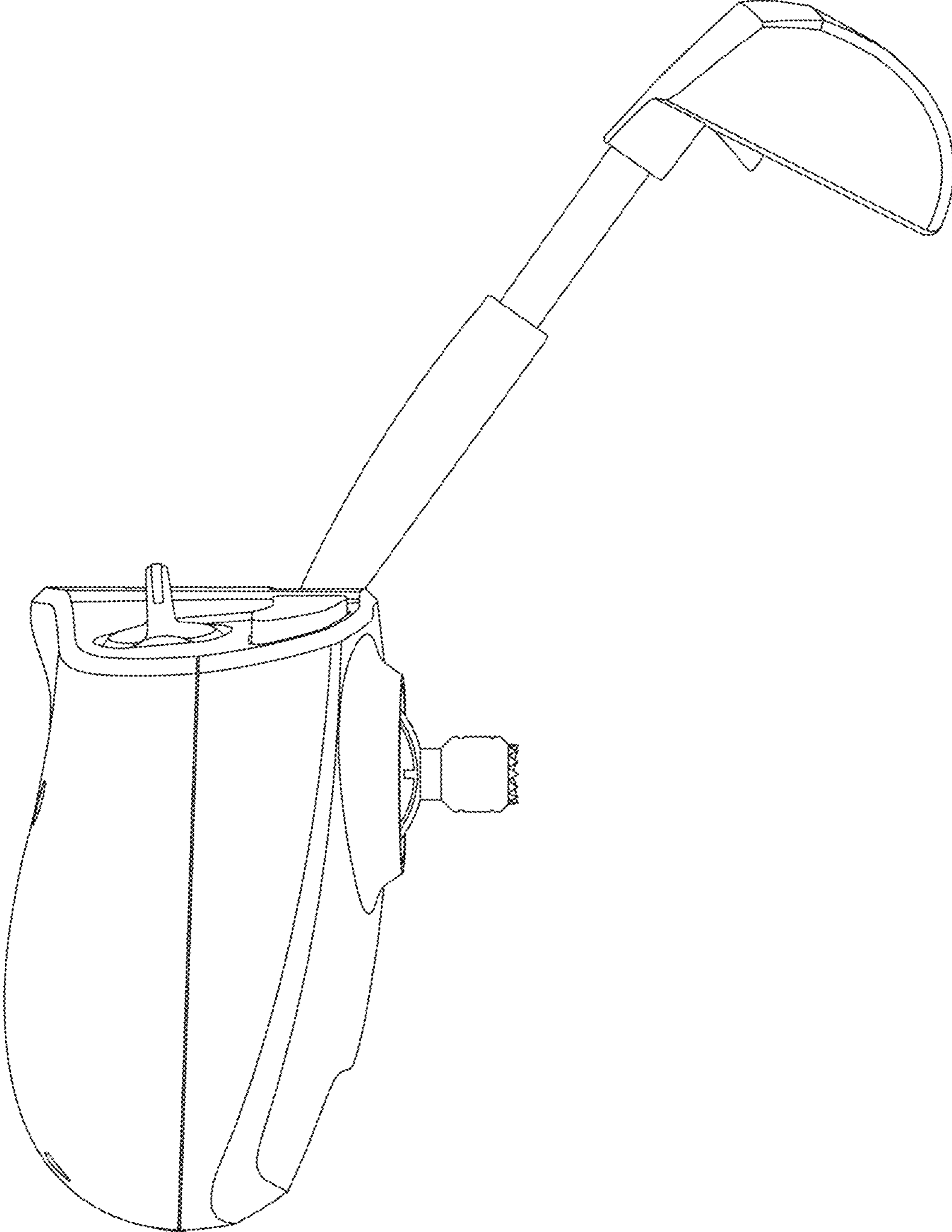


Fig. 2.3

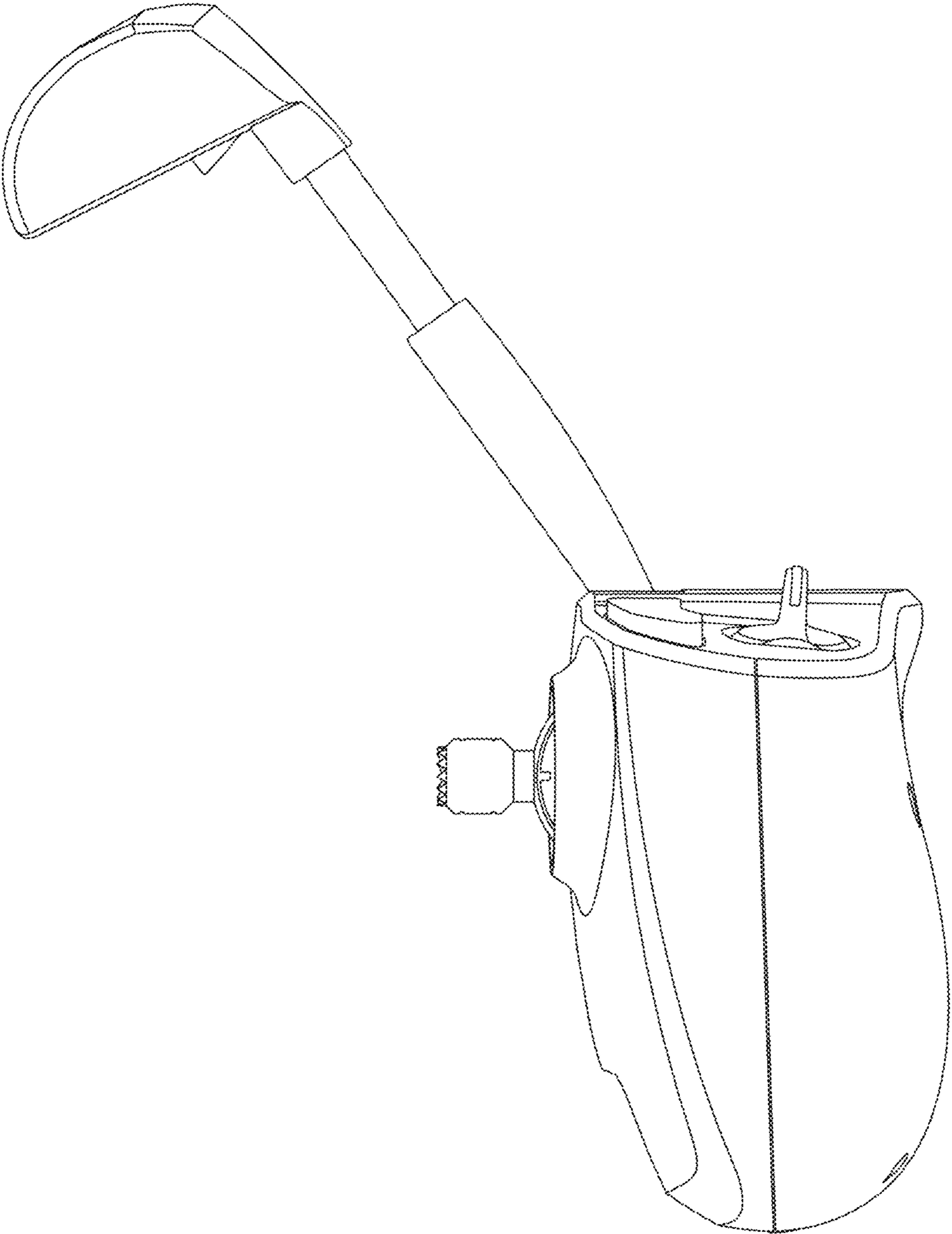


Fig. 2.4

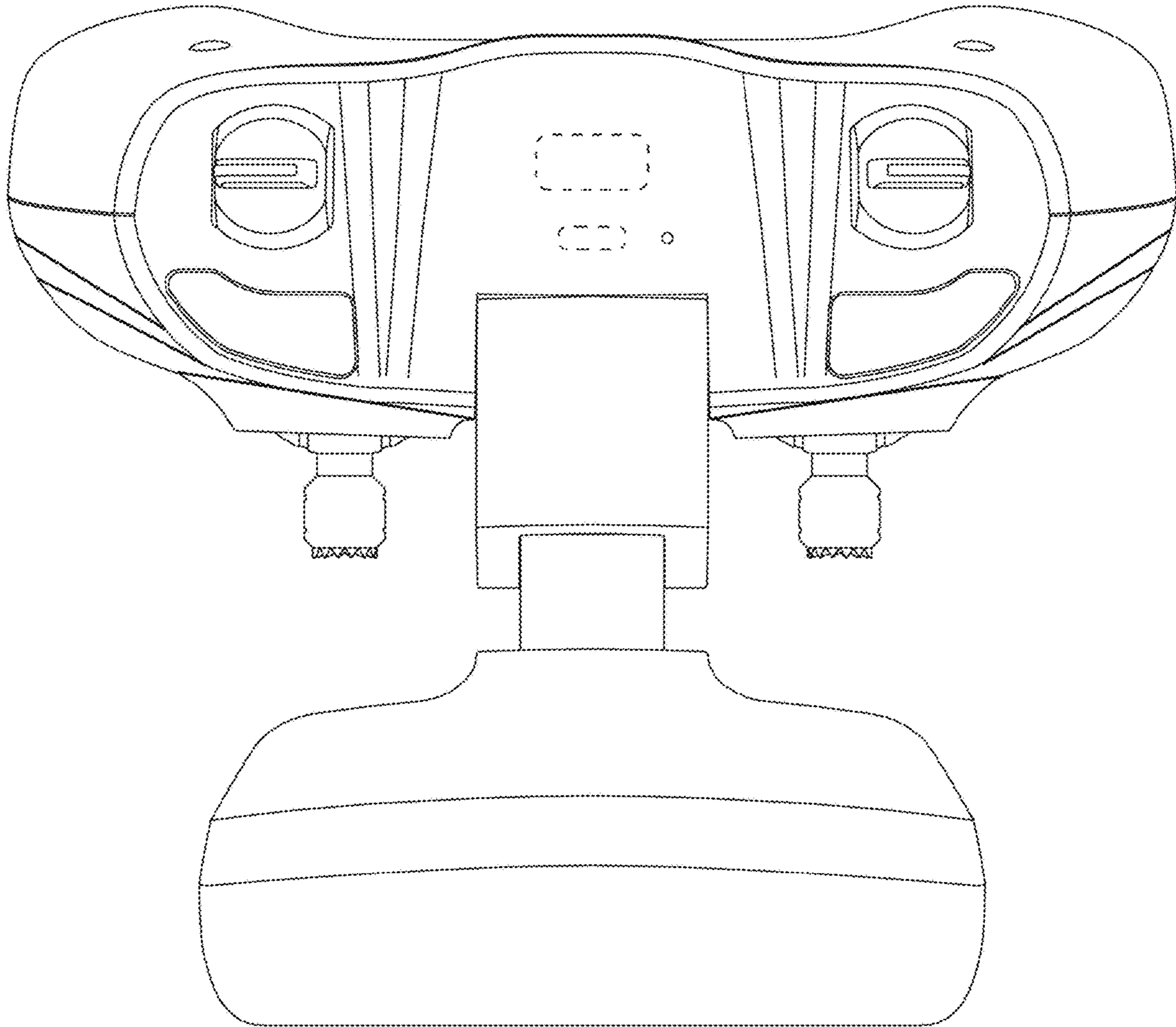


Fig. 2.5

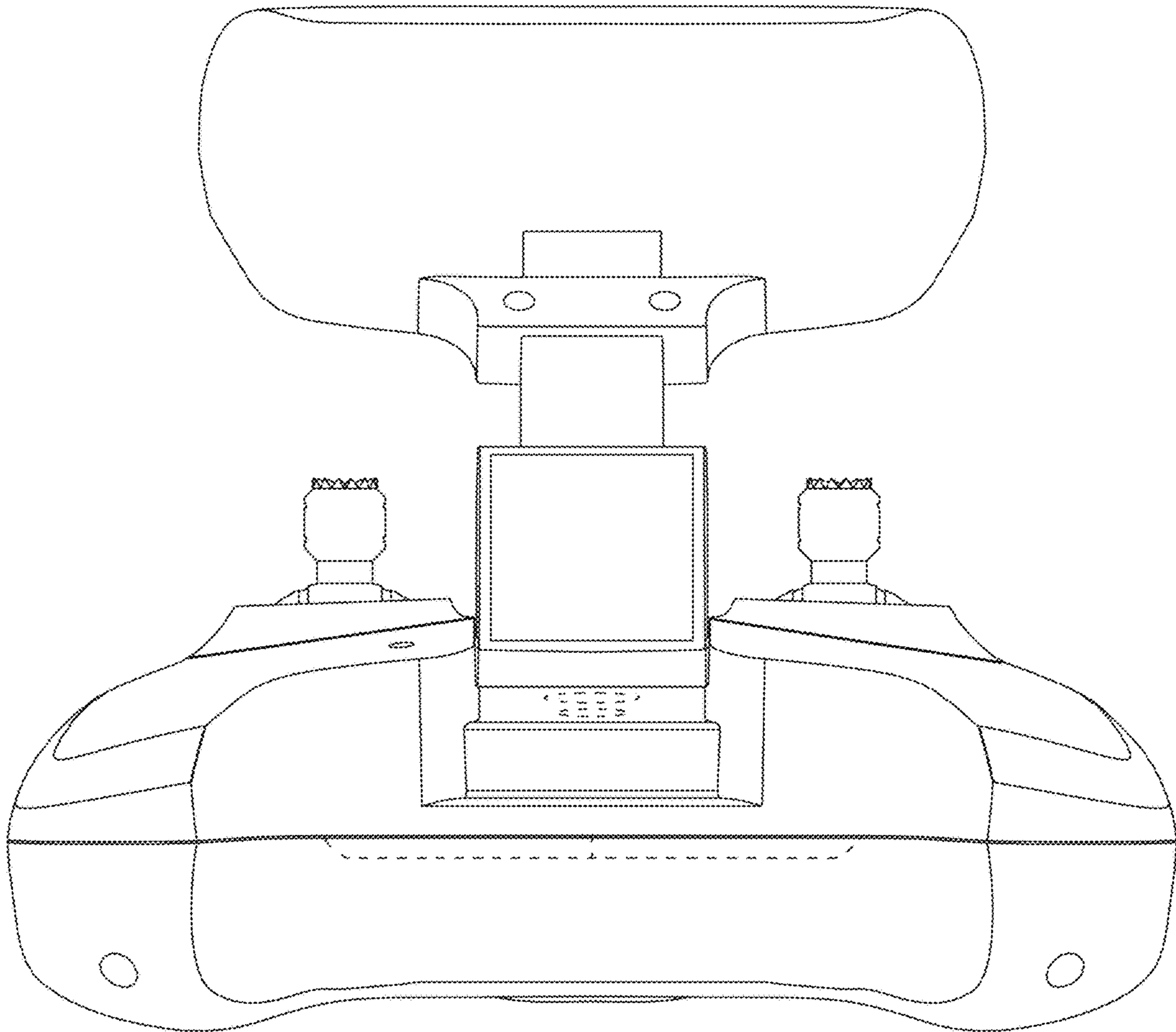


Fig. 2.6

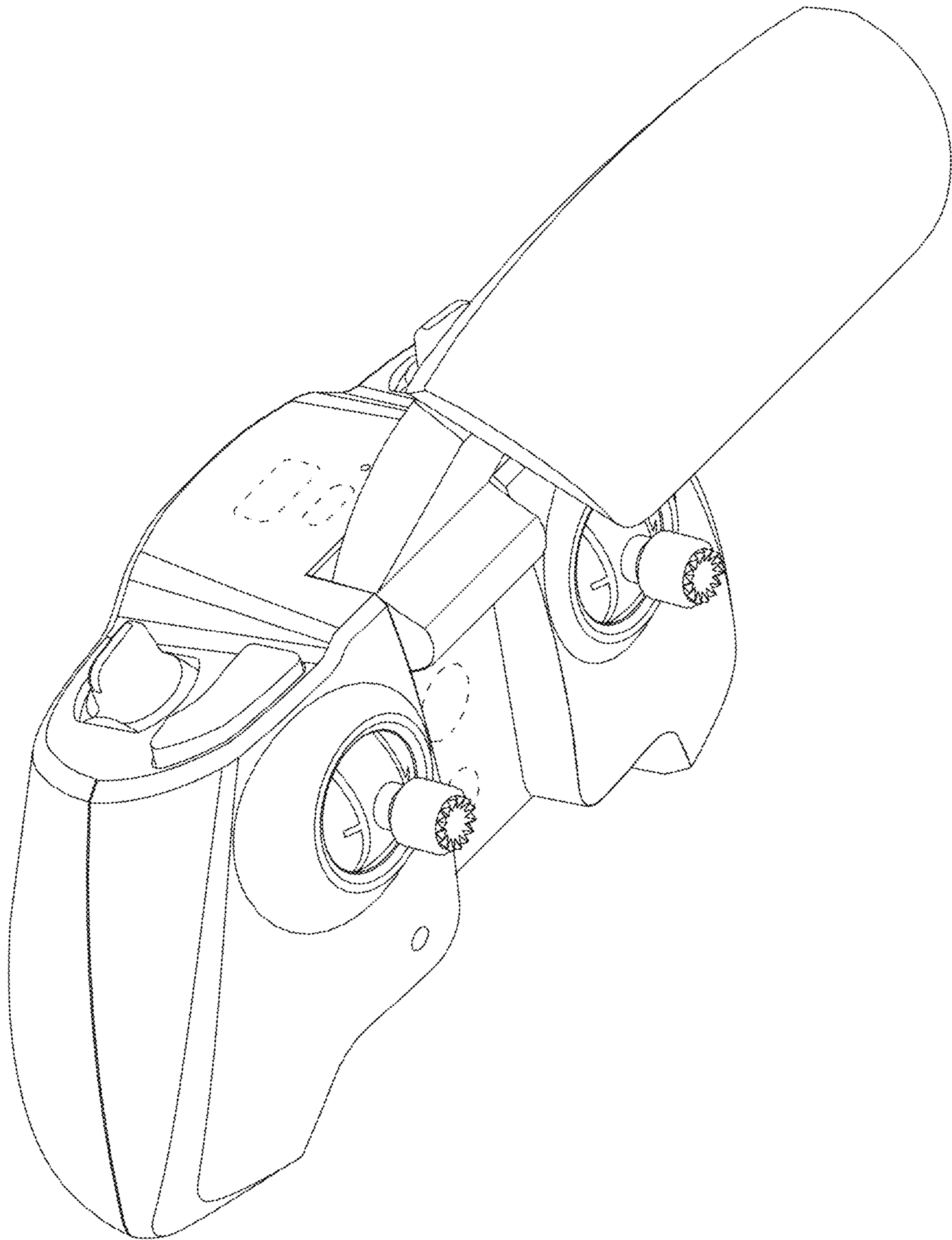


Fig. 2.7