



US00D948500S

(12) **United States Design Patent**
Huang et al.

(10) **Patent No.:** **US D948,500 S**
(45) **Date of Patent:** **** Apr. 12, 2022**

(54) **DUAL-DISPLAY LAPTOP**

(71) Applicant: **Acer Incorporated**, New Taipei (TW)

(72) Inventors: **Fang-Ying Huang**, New Taipei (TW);
Kai-Teng Cheng, New Taipei (TW)

(73) Assignee: **Acer Incorporated**, New Taipei (TW)

(**) Term: **15 Years**

(21) Appl. No.: **29/739,837**

(22) Filed: **Jun. 30, 2020**

(30) **Foreign Application Priority Data**

Feb. 19, 2020 (TW) 109300775

(51) **LOC (13) Cl.** **14-02**

(52) **U.S. Cl.**
USPC **D14/316**

(58) **Field of Classification Search**

USPC D14/315-327, 371, 448, 126-127,
D14/339-340, 450, 373; D18/1, 4.3, 7,
D18/12.2-12.3

CPC G06F 1/166; G06F 1/1613; G06F 1/1616;
G06F 1/1618; G06F 1/162; G06F 1/1622;
G06F 1/1624; G06F 1/1633; G06F
1/1615; G06F 1/1643; G06F 1/1654;
G06F 1/1656; G06F 1/1669; G06F 1/203;
G06F 1/1688; G06F 1/1601; G06F
1/1637; G06F 1/181; G06F 1/1641; G06F
1/1647; G06F 1/1649; G06F 1/165; G06F
1/1662; G06F 1/1671;

(Continued)

(56) **References Cited**

U.S. PATENT DOCUMENTS

D688,237 S * 8/2013 Paulhac D14/315
D706,766 S * 6/2014 Lee D14/316
D721,698 S * 1/2015 Lee D14/316

(Continued)

FOREIGN PATENT DOCUMENTS

JP D1366335 8/2009
TW D202303 1/2020

OTHER PUBLICATIONS

Limer, Eric, Bring on the Wacky Convertible Gaming Laptops, posted at Popular Mechanics, posting date Jan. 7, 2019. Site visited Oct. 8, 2021. URL: <https://www.popularmechanics.com/technology/gadgets/a25778194/ces-2019-gaming-laptops/> (Year: 2019).*

(Continued)

Primary Examiner — Kathleen L Jones

(74) *Attorney, Agent, or Firm* — JCIPRNET

(57) **CLAIM**

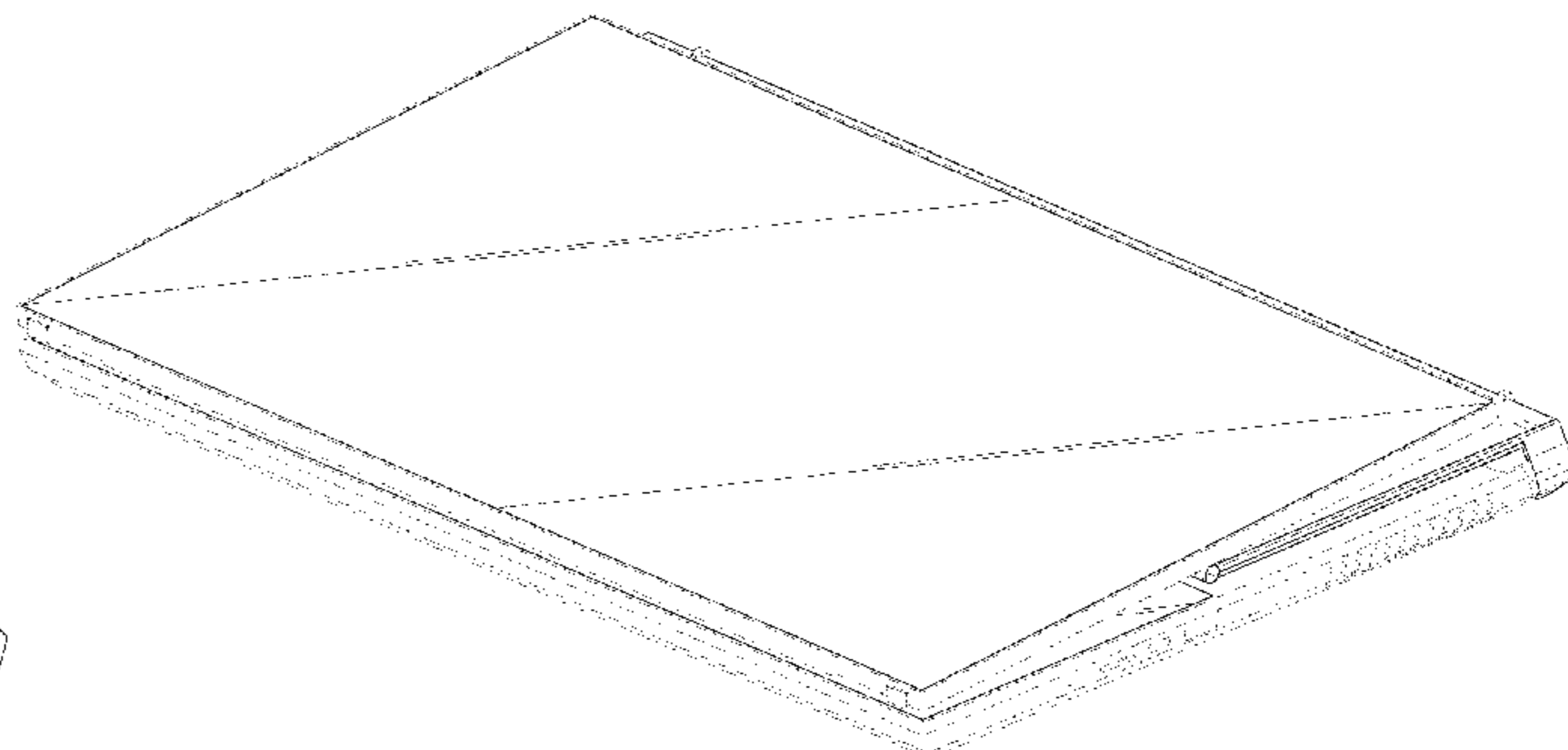
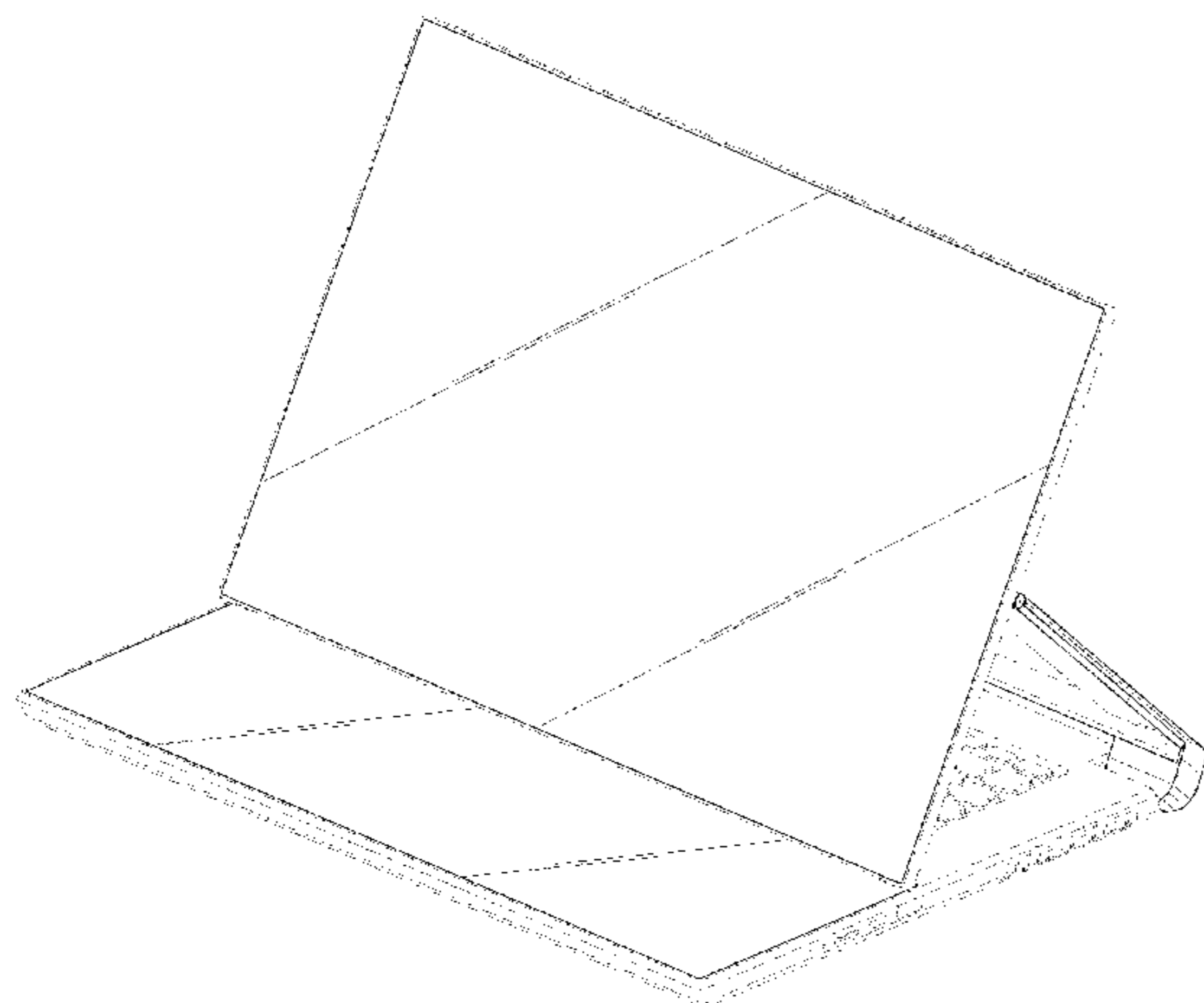
The ornamental design for a dual-display laptop, as shown and described.

DESCRIPTION

FIG. 1 is a perspective view of a dual-display laptop showing our new design;
FIG. 2 is another perspective view thereof;
FIG. 3 is a front view thereof;
FIG. 4 is a rear view thereof;
FIG. 5 is a left side view thereof;
FIG. 6 is a right side view thereof;
FIG. 7 is a top view thereof;
FIG. 8 is a bottom view thereof;
FIG. 9 is a perspective view thereof, shown in another alternate position of use;
FIG. 10 is a perspective view thereof, shown in another alternate position of use;
FIG. 11 is a perspective view thereof, shown in a closed position; and,
FIG. 12 is another perspective view thereof; shown in a closed position.

The broken lines illustrate portions of the dual-display laptop that form no part of the claimed design.

1 Claim, 12 Drawing Sheets



(58) **Field of Classification Search**

CPC G06F 1/169; G06F 1/1692; G06F 1/1652;
H05K 5/0047; H05K 5/0052

See application file for complete search history.

(56) **References Cited**

U.S. PATENT DOCUMENTS

8,995,117 B1 * 3/2015 Hayashida G06F 1/1616
361/679.27
D727,310 S * 4/2015 Senatori D14/315
D727,313 S * 4/2015 Lim D14/316
D731,476 S * 6/2015 Lee D14/316
D732,523 S * 6/2015 Riddiford D14/315
D733,120 S * 6/2015 Lee D14/316
D820,828 S * 6/2018 Li D14/316
D872,073 S * 1/2020 Cha D14/327
D881,873 S * 4/2020 Li D14/316
10,678,300 B2 * 6/2020 Perelli G06F 1/1615
D912,662 S * 3/2021 Kurma Raju D14/331
D920,969 S * 6/2021 Tzou D14/315
D922,390 S * 6/2021 Cheng D14/440
D922,391 S * 6/2021 Cheng D14/440
D923,011 S * 6/2021 Cheng D14/440
D923,617 S * 6/2021 Wu D14/315
D926,751 S * 8/2021 Collins D14/320
D934,826 S * 11/2021 Wang D14/126
D934,854 S * 11/2021 Chu D14/315
2008/0024388 A1 * 1/2008 Bruce G06F 1/1622
345/1.1
2008/0062625 A1 * 3/2008 Batio G06F 1/1615
361/679.29
2013/0044415 A1 * 2/2013 Peng G06F 1/1679
361/679.01

2014/0071607 A1 * 3/2014 Frinak G06F 1/1628
361/679.09
2014/0340843 A1 * 11/2014 Huang G06F 1/162
361/679.55
2019/0278322 A1 * 9/2019 Huang G06F 1/1662
2020/0064884 A1 * 2/2020 Liu G06F 1/1662
2020/0081498 A1 * 3/2020 Chang G06F 1/1616
2020/0117244 A1 * 4/2020 Chu G06F 1/1647
2020/0319679 A1 * 10/2020 Knoppert G06F 1/1641
2020/0341515 A1 * 10/2020 Moser H05K 7/14
2020/0356141 A1 * 11/2020 Chen G06F 1/1669
2020/0371563 A1 * 11/2020 Collins H05K 5/0226
2021/0041915 A1 * 2/2021 Moser G06F 1/1605
2021/0064096 A1 * 3/2021 Channaiah G06F 1/1616
2021/0319421 A1 * 10/2021 Chen G06Q 20/341

OTHER PUBLICATIONS

Acer ConceptD 3 Ezel CC314-72G-72SX Convertible Creator Laptop, via Amazon, dated Jul. 27, 2020. Site visted Oct. 8, 2021. URL: <https://www.amazon.com/ConceptD-CC314-72G-72SX-Convertible-i7-10750H-Validated/dp/B0891RM7DM/ref=sr_1_8?dchild=1&keywords=acer+convertible+laptop&qid=1633745584&sr=8-8> (Year: 2020).*

Purcell, Kevin, Acer Aspire R13 Convertible Windows Notebook Review, posted at Notebooks, posting date May 9, 2015. Site visited Oct. 8, 2021. URL: <<https://notebooks.com/2015/05/09/acer-aspire-r13-convertible-windows-notebook-review/>> (Year: 2015).*

Cohn, David, Divide and Conquer: Review of the HP ZBook x2 with DreamColor, posted at DE24/7, posting date Jul. 1, 2018. Site visited Oct. 8, 2021. URL: <<https://www.digitalengineering247.com/article/divide-and-conquer-hp-zbook-x2-with-dreamcolor/>> (Year: 2018).*

* cited by examiner

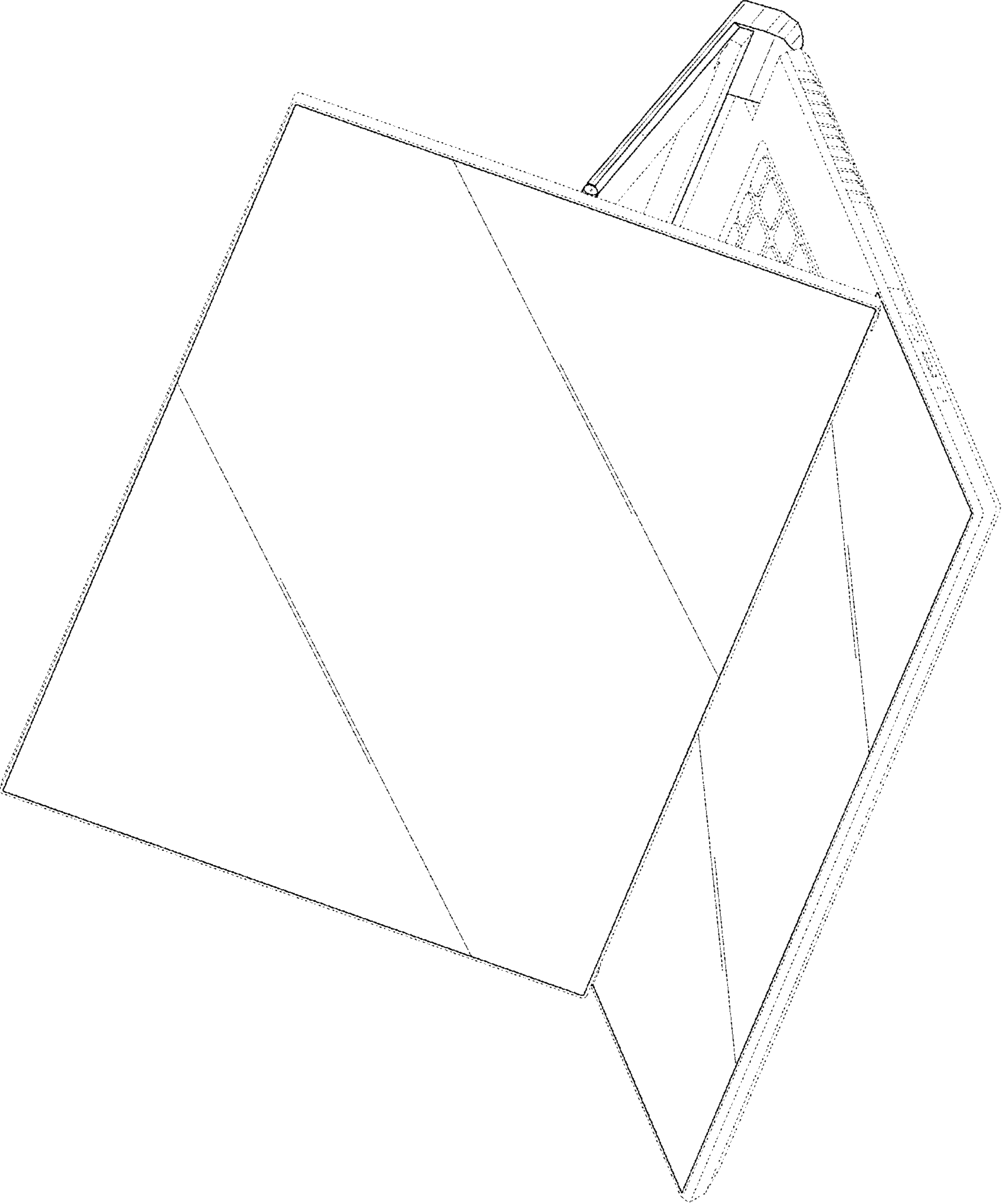


FIG. 1

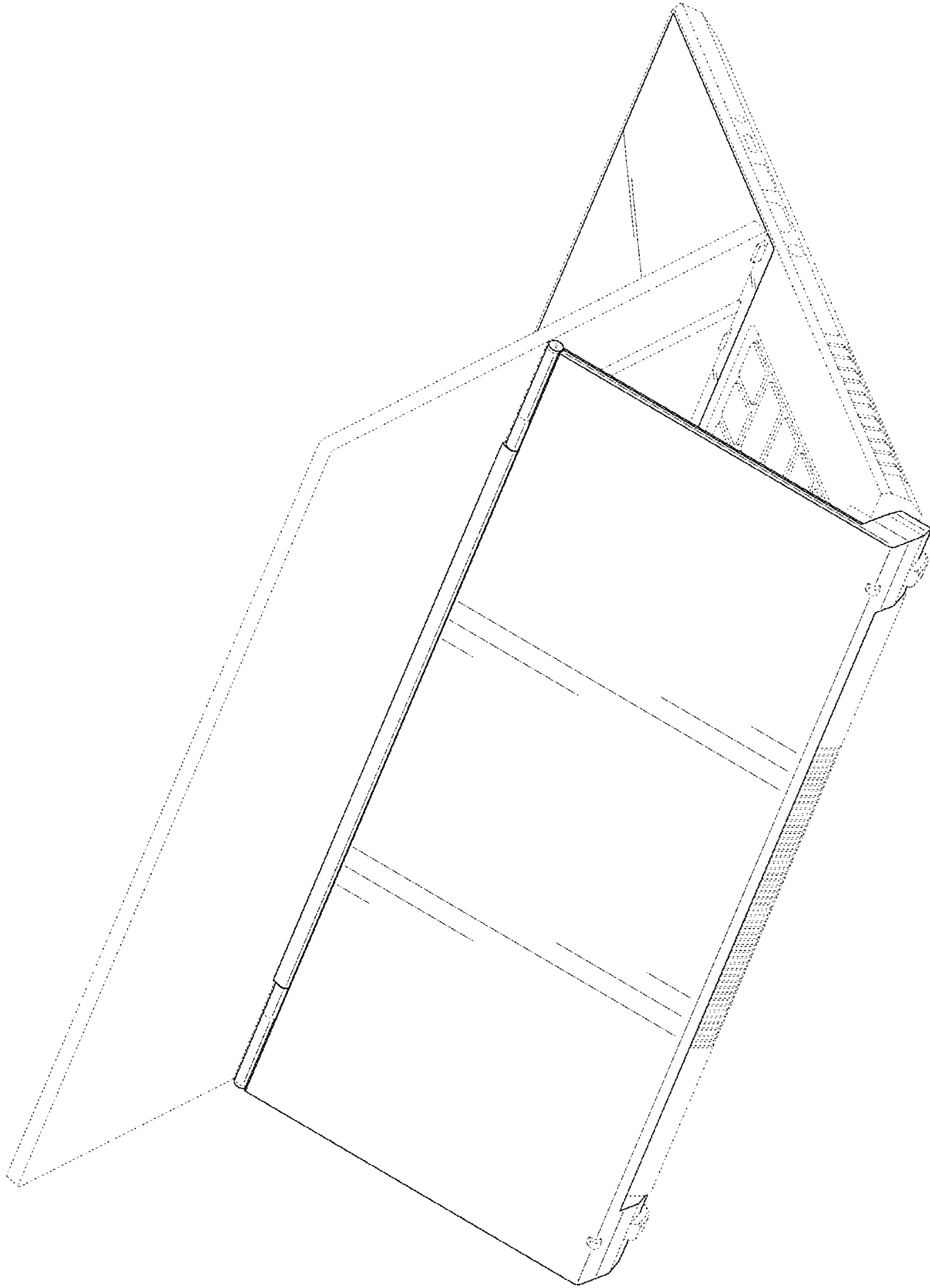


FIG. 2

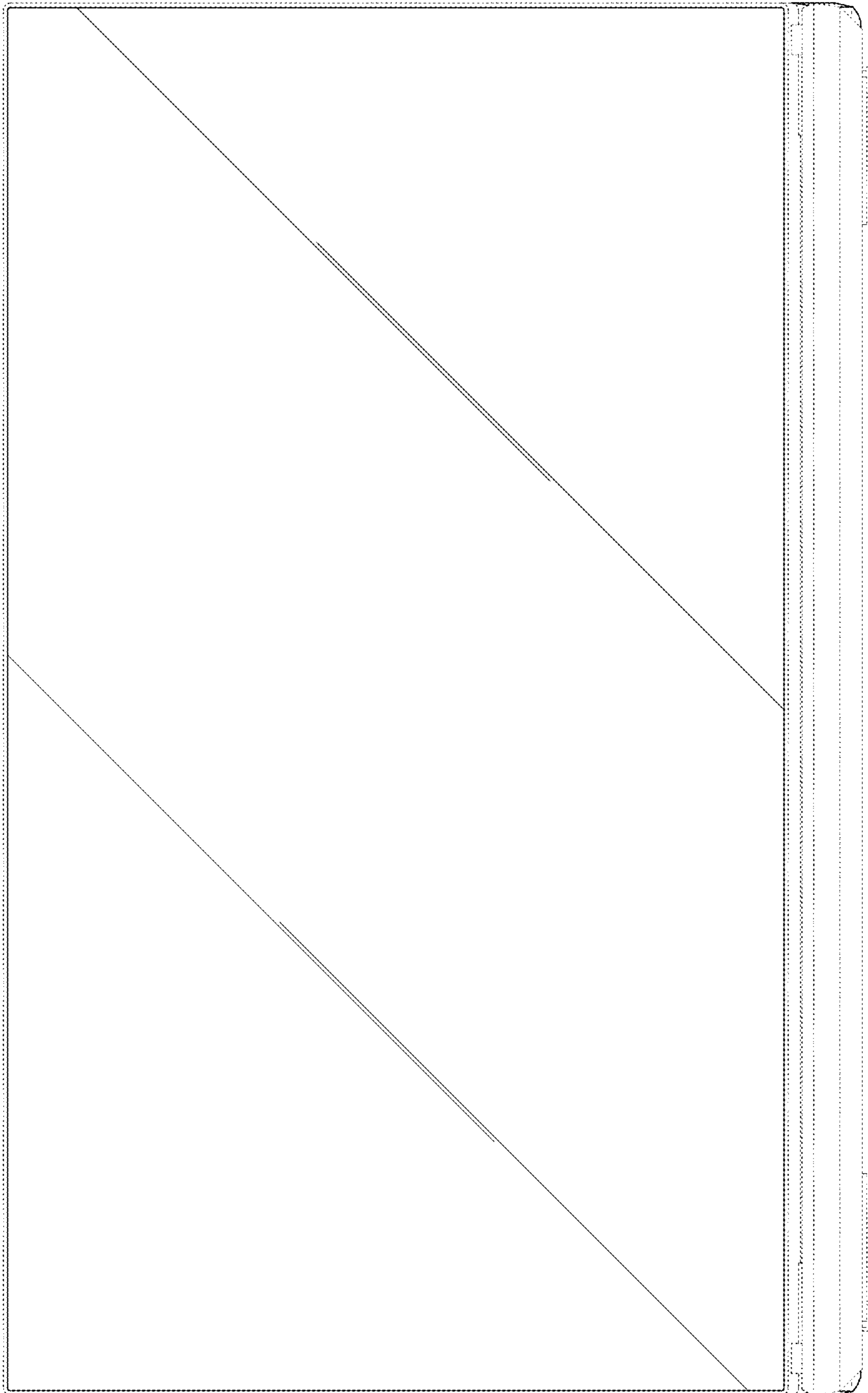


FIG. 3

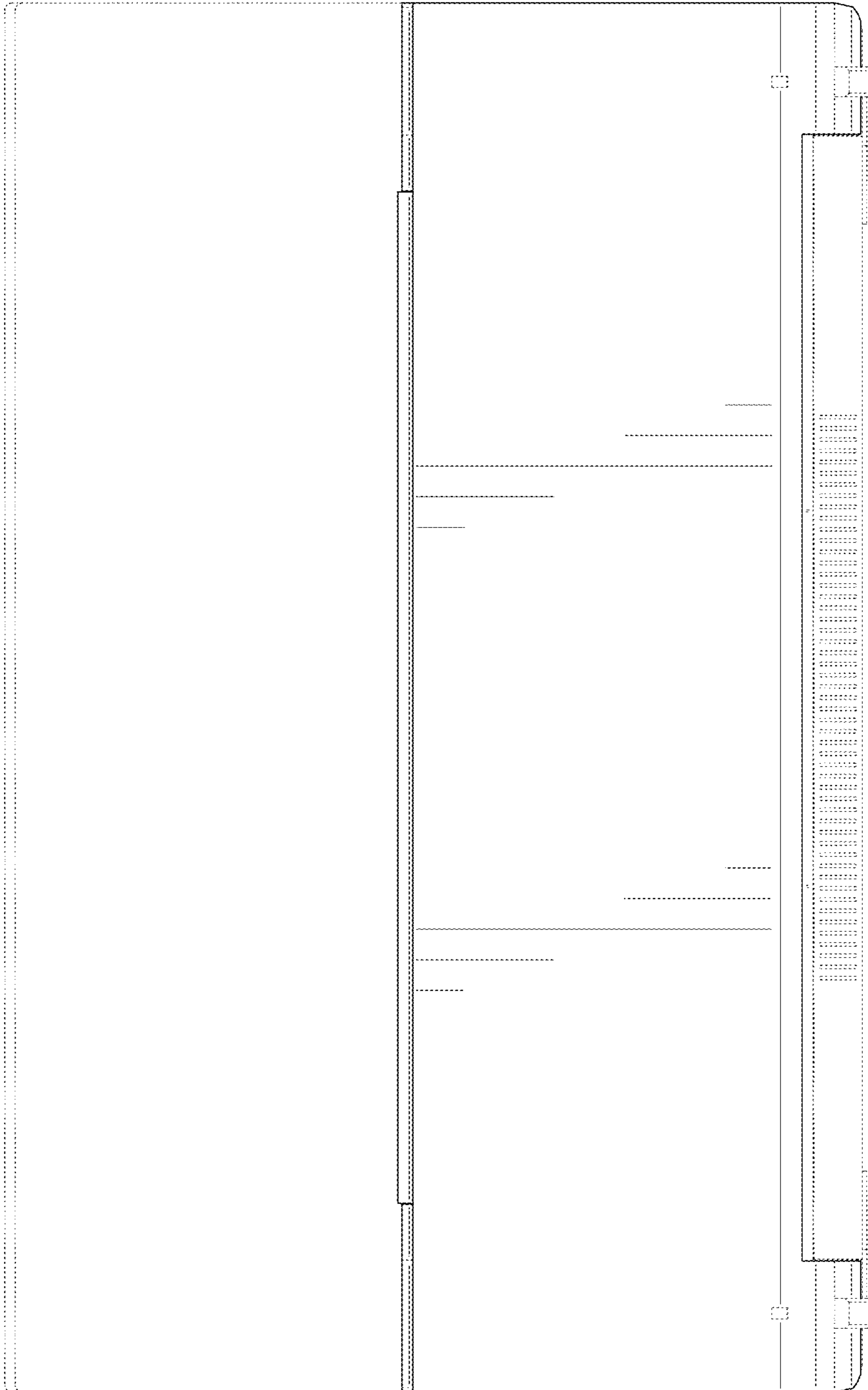


FIG. 4

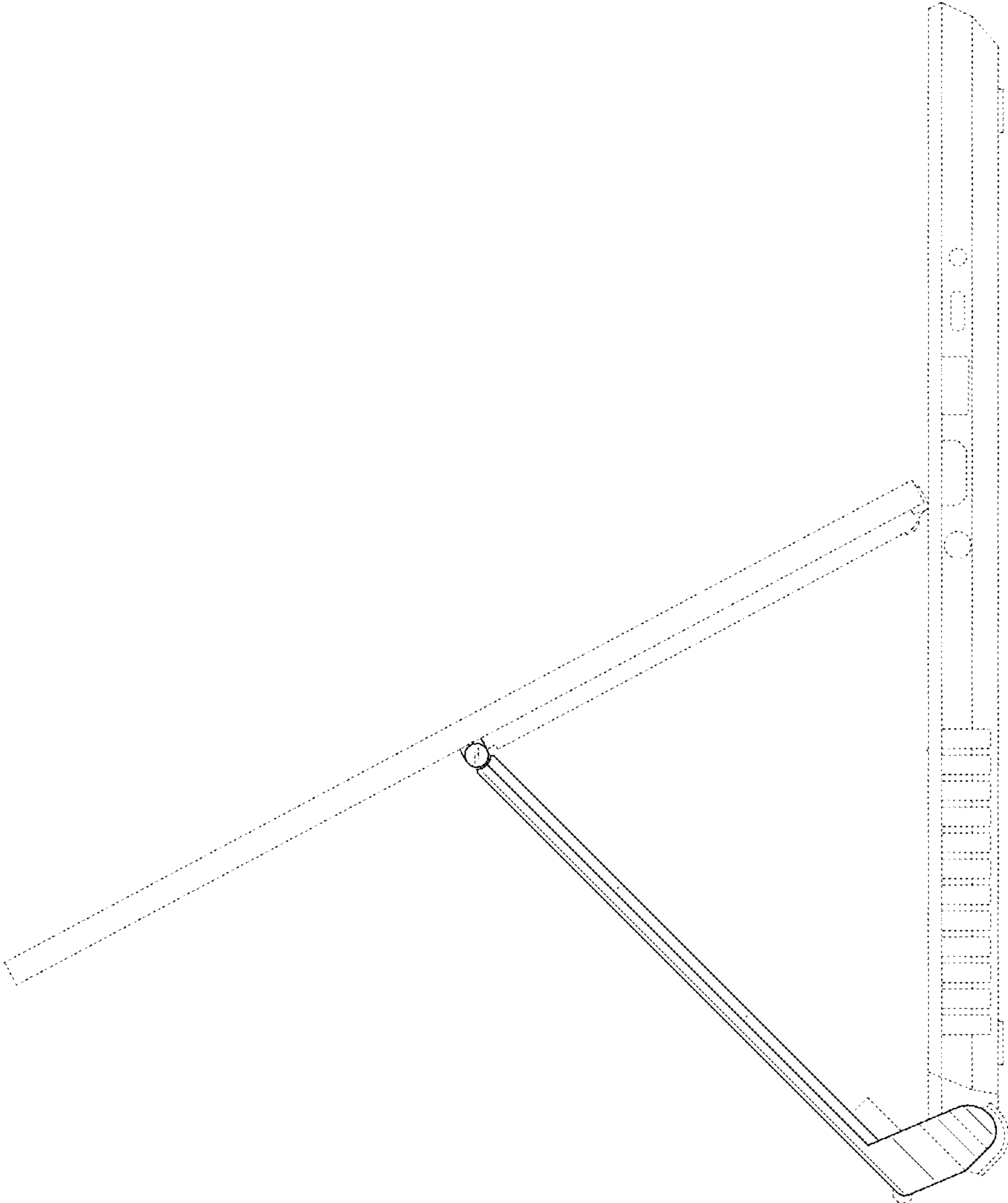


FIG. 5

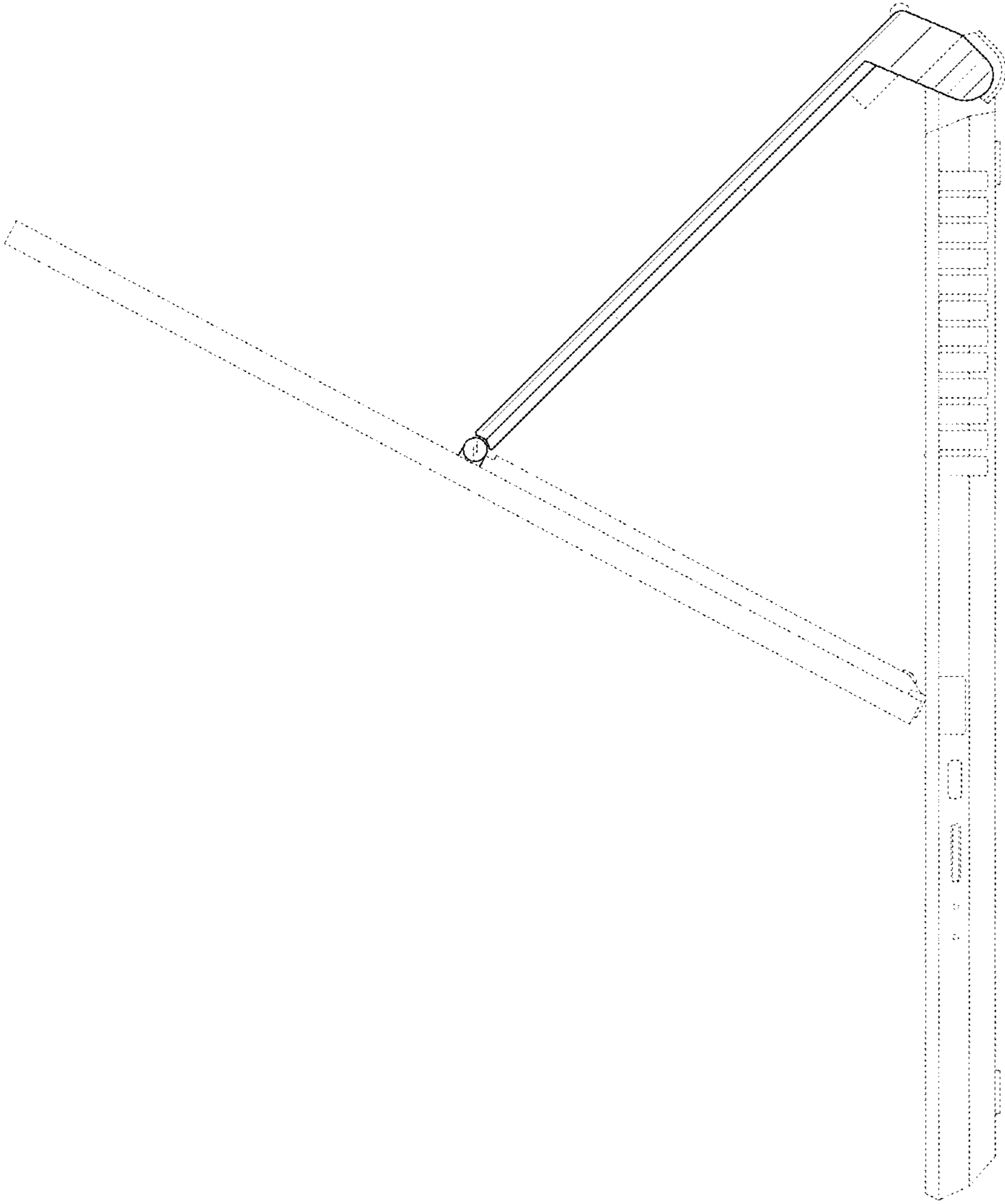


FIG. 6

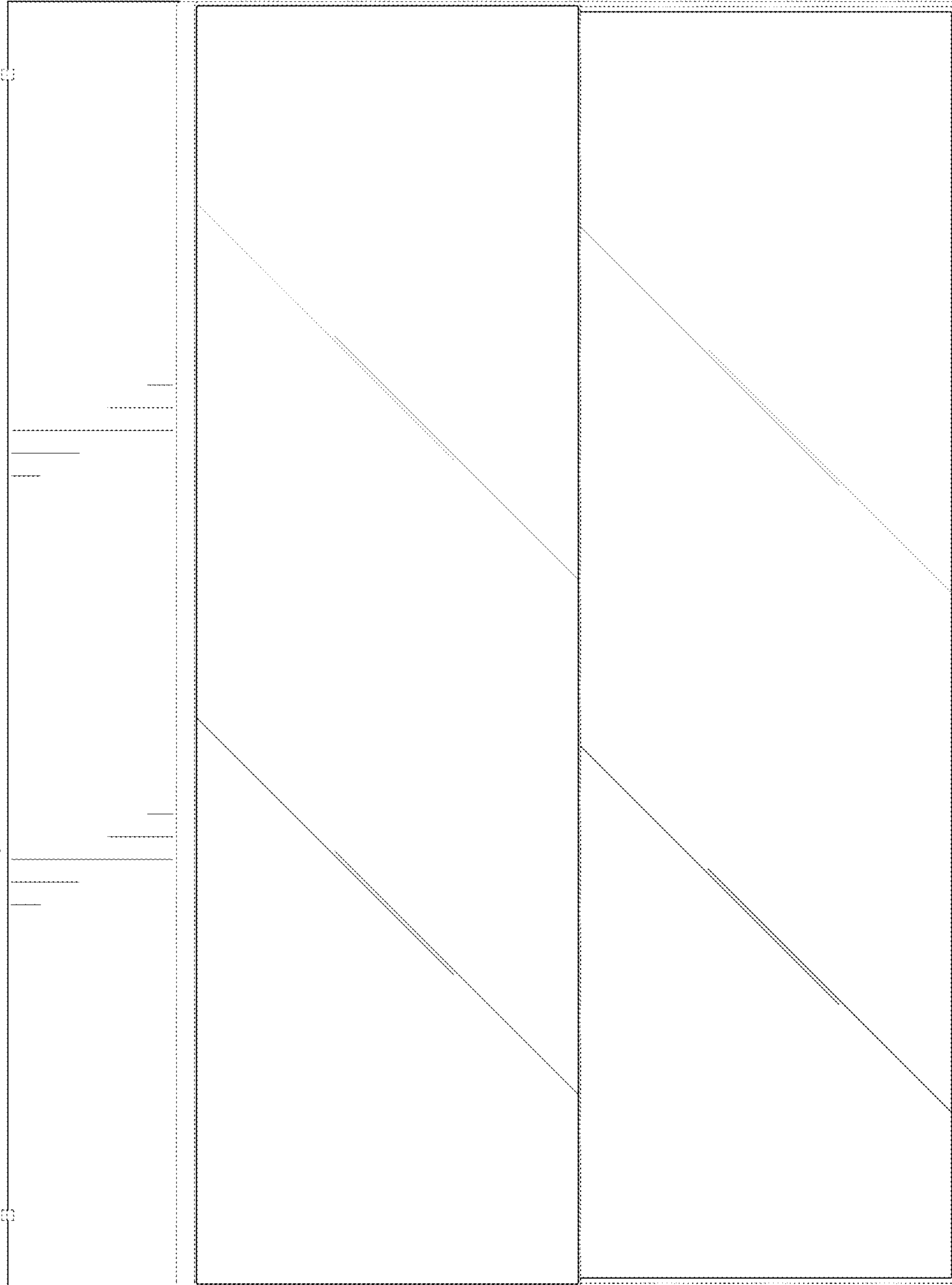


FIG. 7

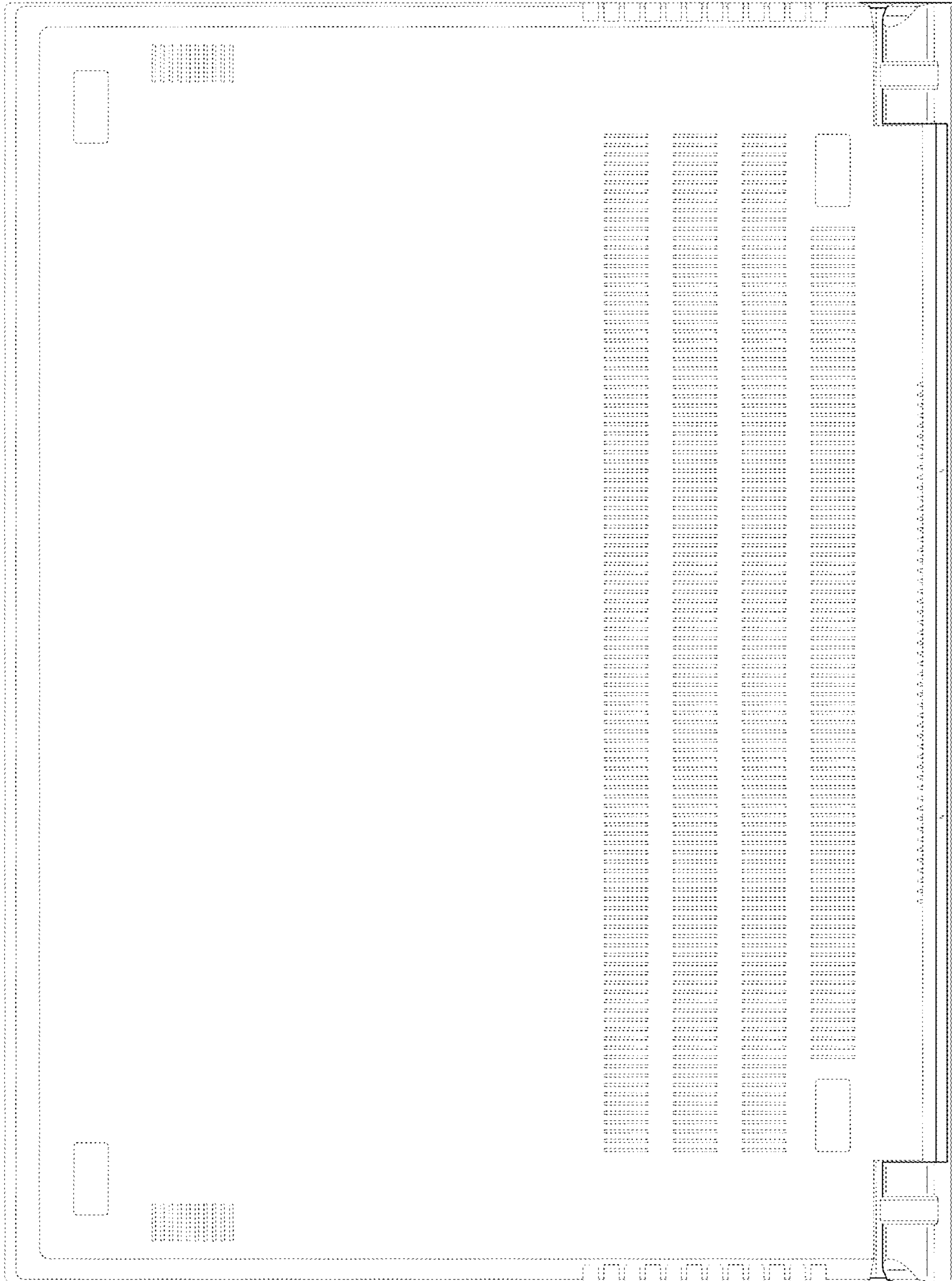


FIG. 8

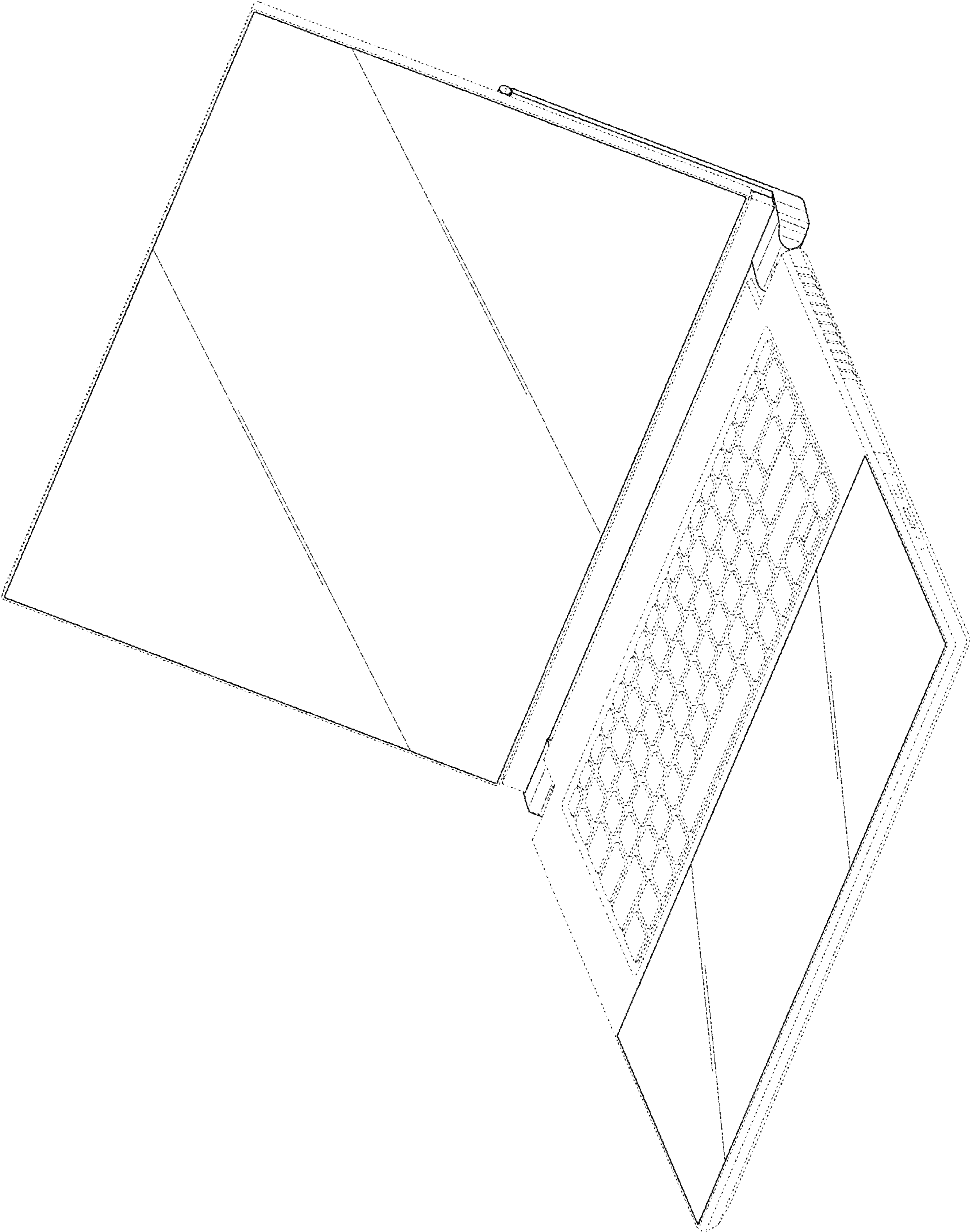


FIG. 9

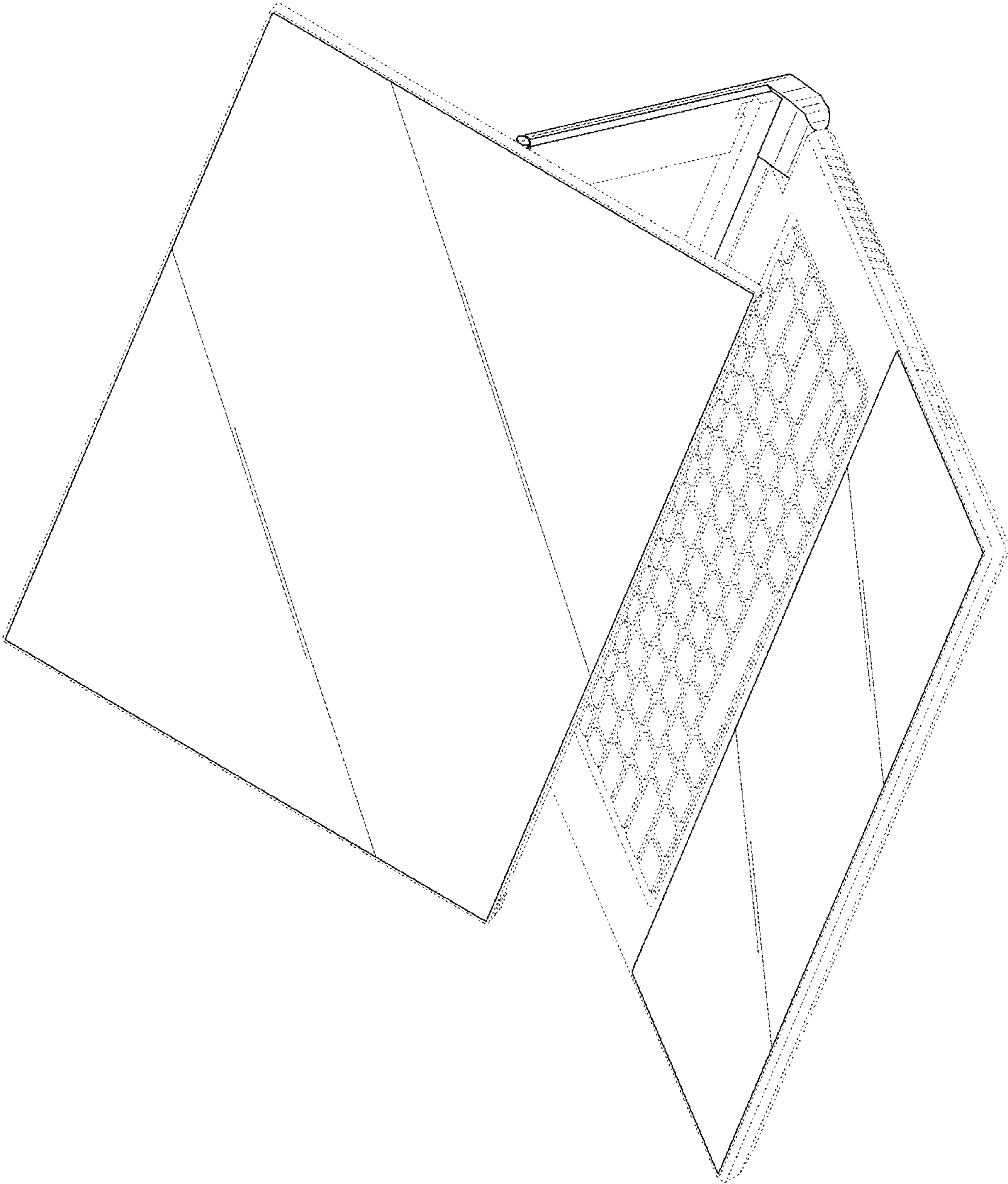


FIG. 10

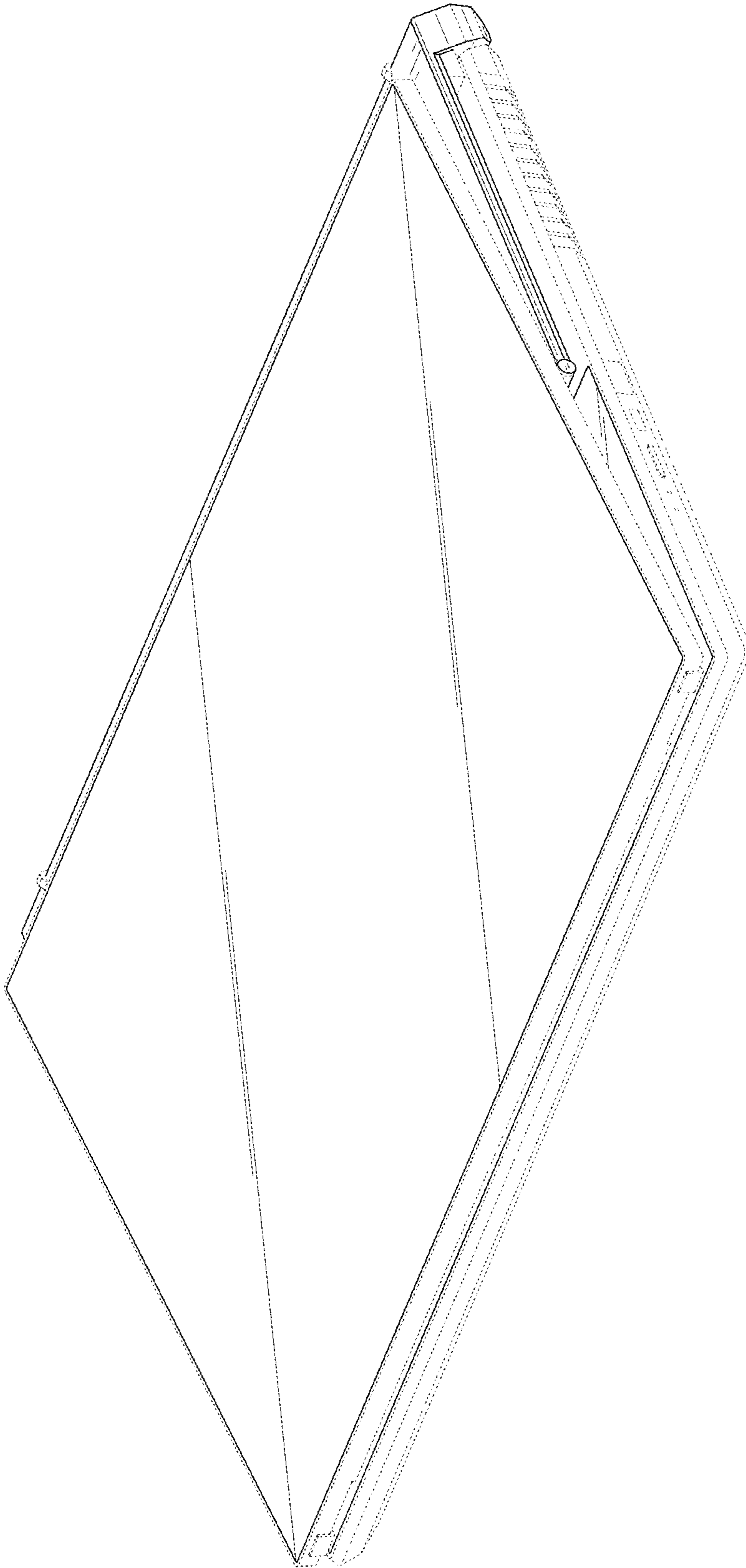


FIG. 11

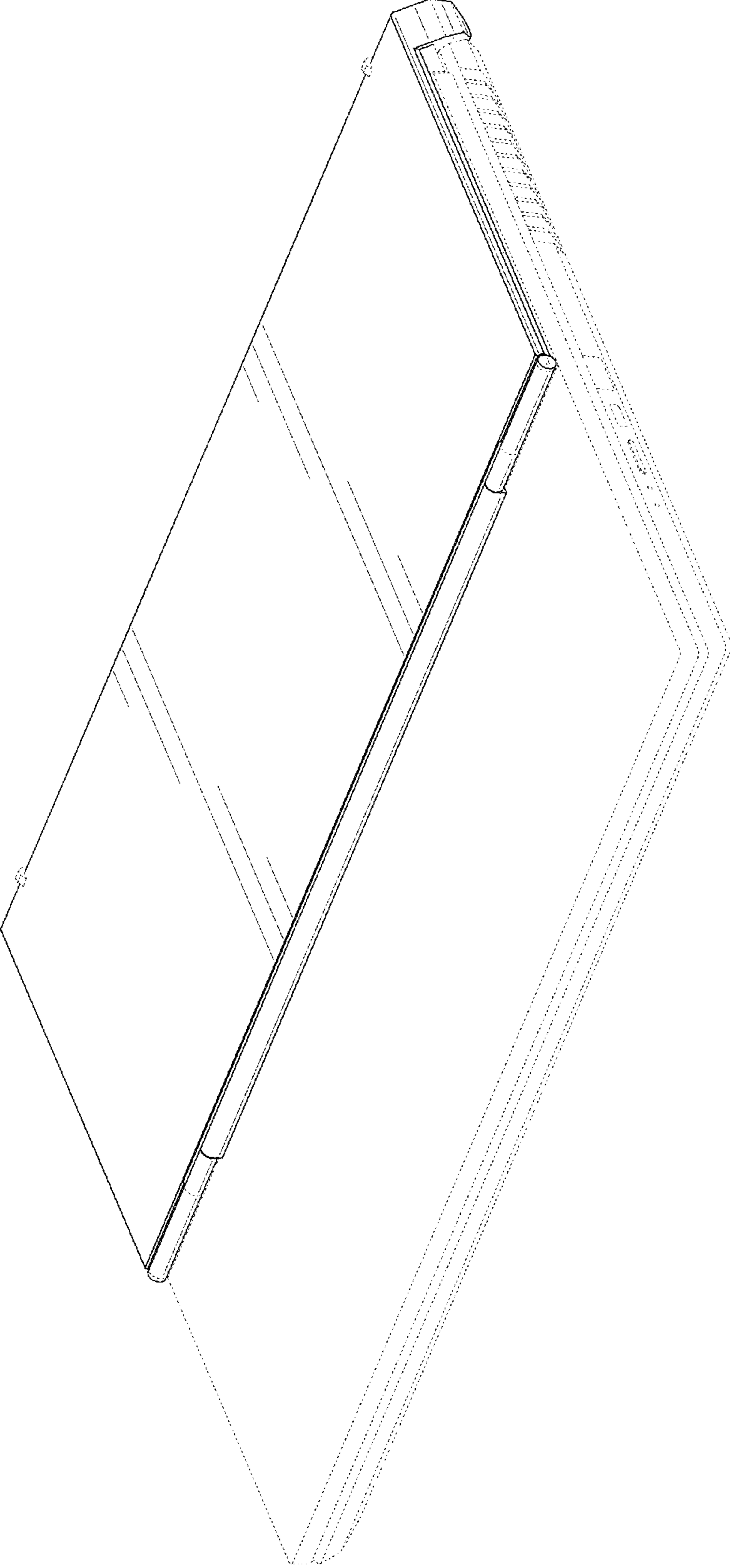


FIG. 12