



US00D948499S

(12) **United States Design Patent** (10) **Patent No.:** **US D948,499 S**
Inouye et al. (45) **Date of Patent:** **** Apr. 12, 2022**

(54) **RETAIL DISPLAY**

CPC G08B 13/1672; G08B 13/19645; G08B 25/006; H04M 11/04

(71) Applicant: **Apple Inc.**, Cupertino, CA (US)

See application file for complete search history.

(72) Inventors: **Allison Inouye**, San Francisco, CA (US); **Jean-Marc Gady**, Los Altos, CA (US); **Ismael Flores Trujano**, San Jose, CA (US); **Gregory Guillaume Lespinard**, San Jose, CA (US); **Mi Zou**, San Francisco, CA (US); **Po Huang**, San Jose, CA (US); **Wesley Bryan Hamm**, San Francisco, CA (US); **Russell John Kaaihue Heirakuji**, Cupertino, CA (US); **Joshua Robert Edwards**, Santa Cruz, CA (US); **Nicholas E. Corti**, San Francisco, CA (US); **Manuel Dejesus**, San Francisco, CA (US); **Alice Marlin Brugger**, San Francisco, CA (US); **Alexandra R. Bottomley**, San Francisco, CA (US)

(56)

References Cited

U.S. PATENT DOCUMENTS

D355,676	S	*	2/1995	Wilson	D14/373
D626,353	S	*	11/2010	Magruder	D14/307
D639,800	S	*	6/2011	Magruder	D14/307
D646,269	S	*	10/2011	Crick, Jr.	D14/307
D661,291	S		6/2012	Renukanand et al.		
D671,535	S		11/2012	Terashima et al.		
D691,204	S	*	10/2013	d'Amore	D20/1
D722,313	S		2/2015	Birgeoglu		
D732,015	S		6/2015	Alekhin		
D734,074	S	*	7/2015	Jouin	D6/672
D739,464	S	*	9/2015	Liu	D19/113
D745,418	S	*	12/2015	Indio da Costa	D10/24

(Continued)

Primary Examiner — Austin Murphy

(74) *Attorney, Agent, or Firm* — Sterne, Kessler, Goldstein & Fox P.L.L.C.

(73) Assignee: **Apple Inc.**, Cupertino, CA (US)

(**) Term: **15 Years**

(57)

CLAIM

(21) Appl. No.: **29/776,223**

The ornamental design for a retail display, as shown and described.

(22) Filed: **Mar. 29, 2021**

DESCRIPTION

Related U.S. Application Data

(63) Continuation of application No. 29/713,512, filed on Nov. 15, 2019, now Pat. No. Des. 914,666.

(51) **LOC (13) Cl.** **14-02**

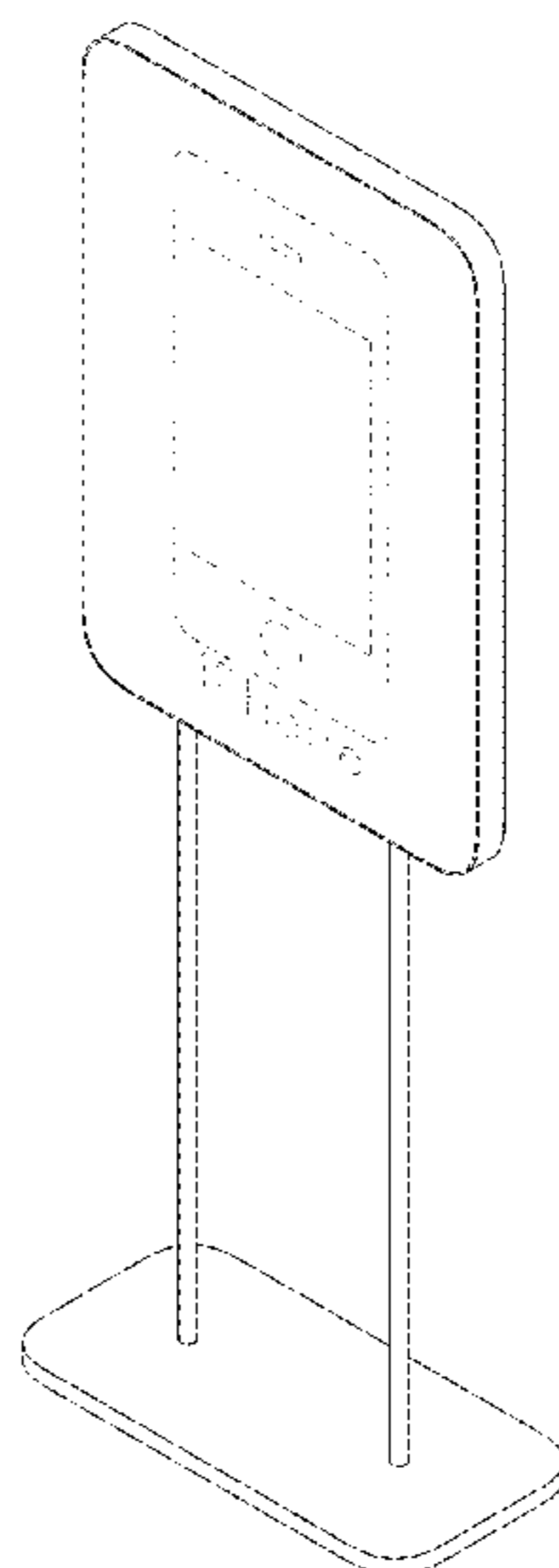
(52) **U.S. Cl.**
USPC **D14/307**

(58) **Field of Classification Search**
USPC D14/167, 154, 168, 188, 496, 156, 160, D14/161, 162, 163, 164, 165, 158, 253, D14/192, 159, 155, 138 AB, 137, 104.1, D14/307; 455/351, 350, 353; D10/104, D10/106, 65, 78; 340/573.4, 573.1

FIG. 1 is a top front perspective view of a retail display showing the claimed design;
FIG. 2 is a front view thereof;
FIG. 3 is a rear view thereof;
FIG. 4 is a left side view thereof;
FIG. 5 is a right side view thereof;
FIG. 6 is a top view thereof; and,
FIG. 7 is a bottom view thereof.

The broken lines in the figures show portions of the retail display that form no part of the claimed design.

1 Claim, 5 Drawing Sheets



(56)

References Cited

U.S. PATENT DOCUMENTS

D752,573	S	*	3/2016	Ballman	D14/307
D776,651	S	*	1/2017	Yates	D14/307
D789,100	S		6/2017	Gorman et al.		
D808,965	S		1/2018	Bergeron-Mirsky et al.		
D815,629	S	*	4/2018	Jones, Sr.	D14/307
D825,234	S	*	8/2018	He	D6/675.4
D877,104	S	*	3/2020	Khan	D14/126
D884,693	S	*	5/2020	Mangeot	D14/307
D884,694	S	*	5/2020	Mangeot	D14/307
D886,096	S	*	6/2020	Mangeot	D14/307
D894,894	S	*	9/2020	Corre	D14/307
D896,806	S	*	9/2020	Zheng	D14/307
D902,919	S	*	11/2020	Carmona	D14/307
D908,690	S	*	1/2021	Zheng	D14/307
D914,666	S	*	3/2021	Inouye	D14/307
D920,323	S	*	5/2021	Lee	D14/307
D922,995	S	*	6/2021	Lin	D14/307
D928,869	S	*	8/2021	Zhang	D18/4.5
D935,426	S	*	11/2021	Stinson	D14/126

* cited by examiner

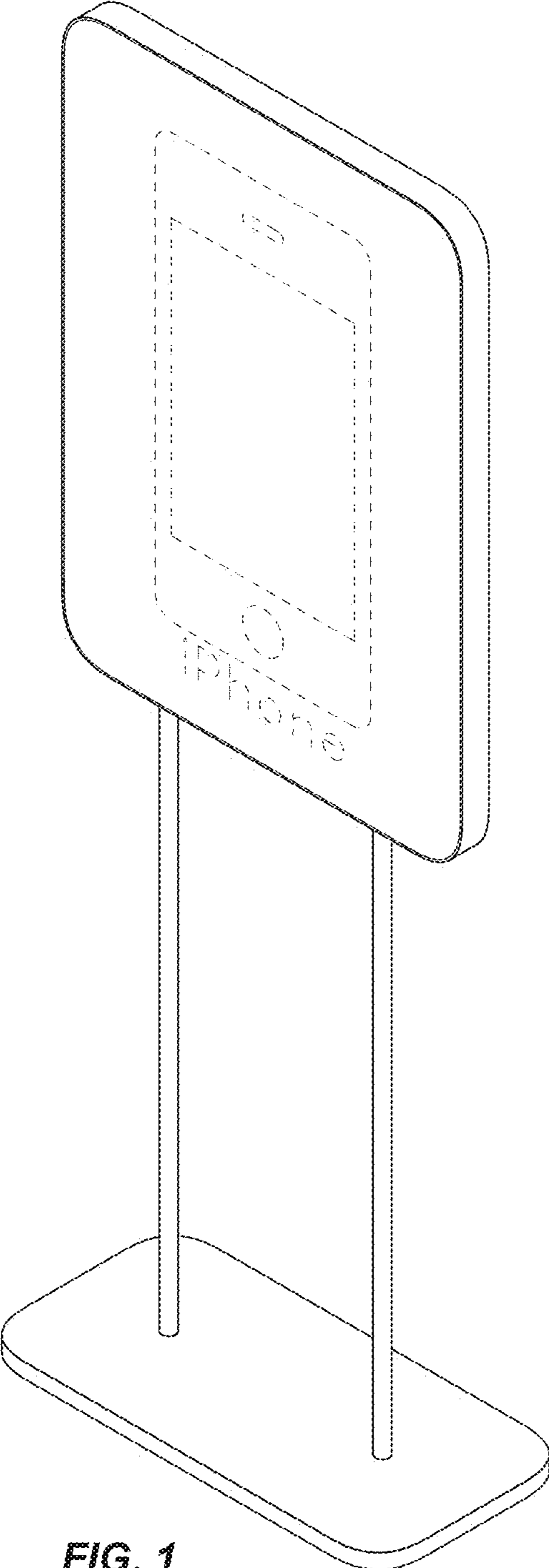


FIG. 1

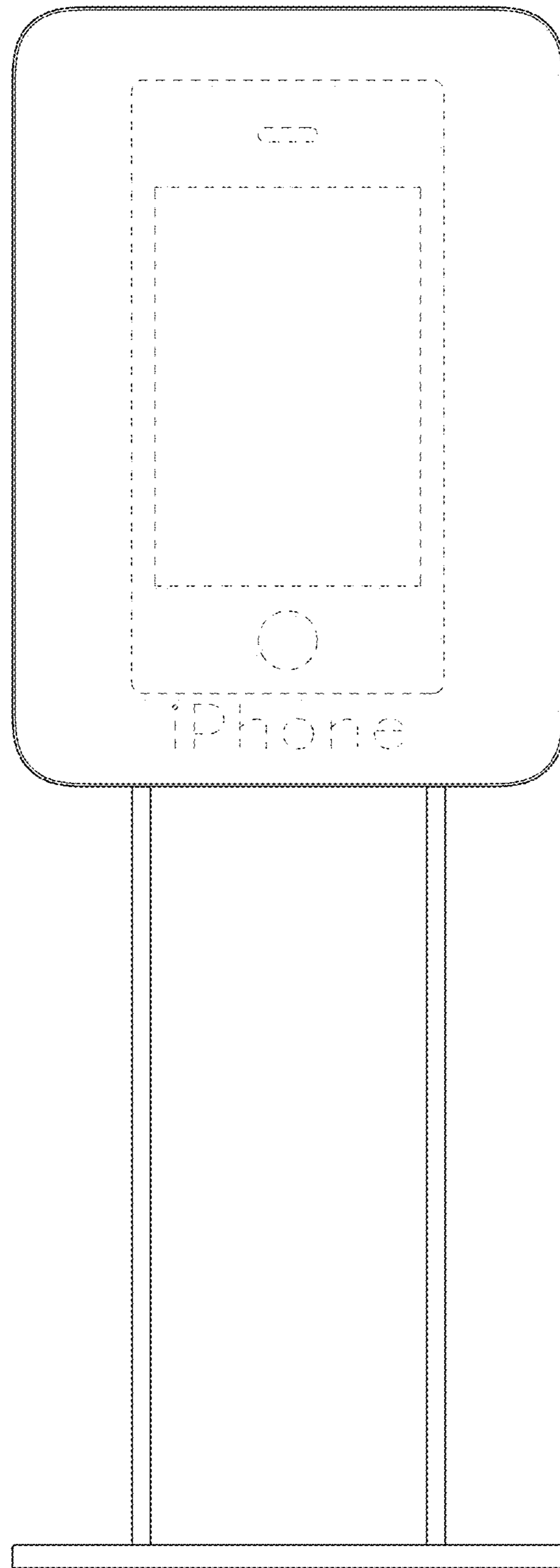


FIG. 2

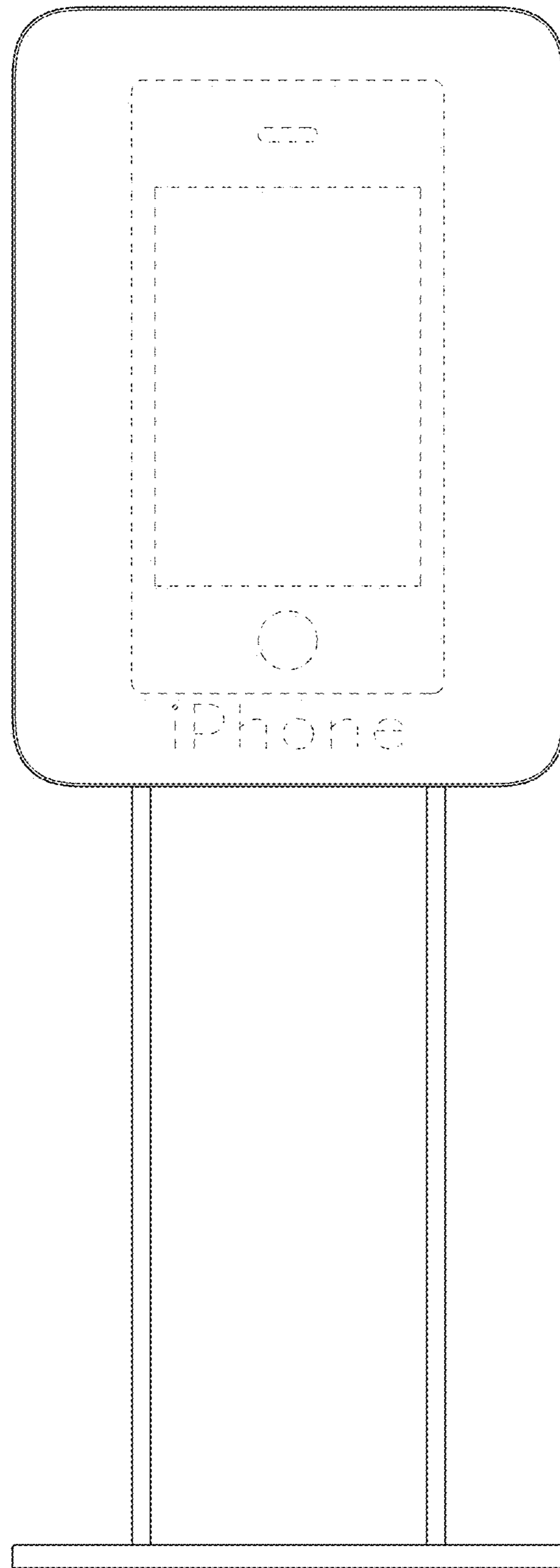


FIG. 3

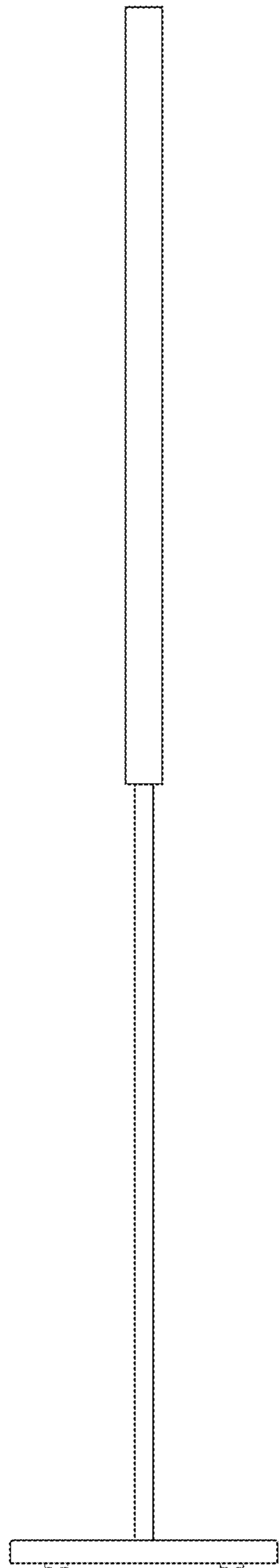


FIG. 4

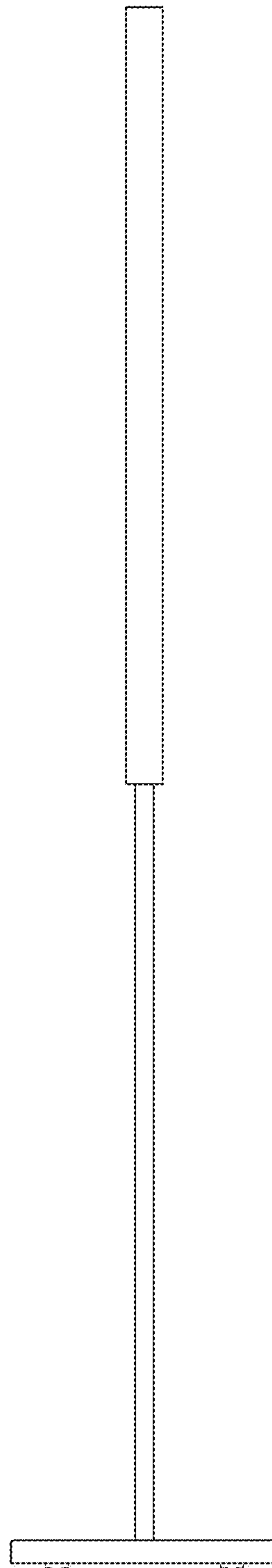


FIG. 5

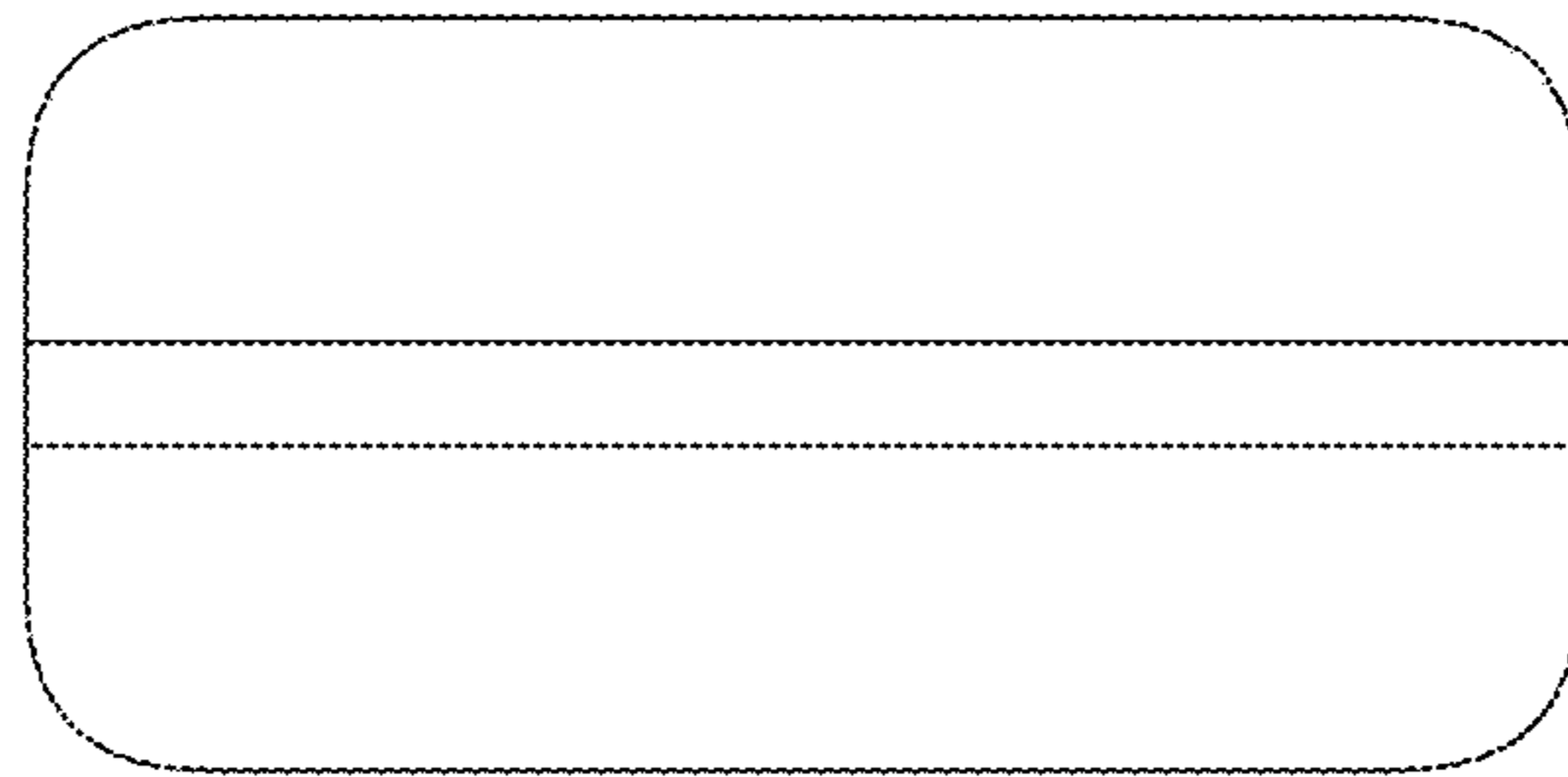


FIG. 6

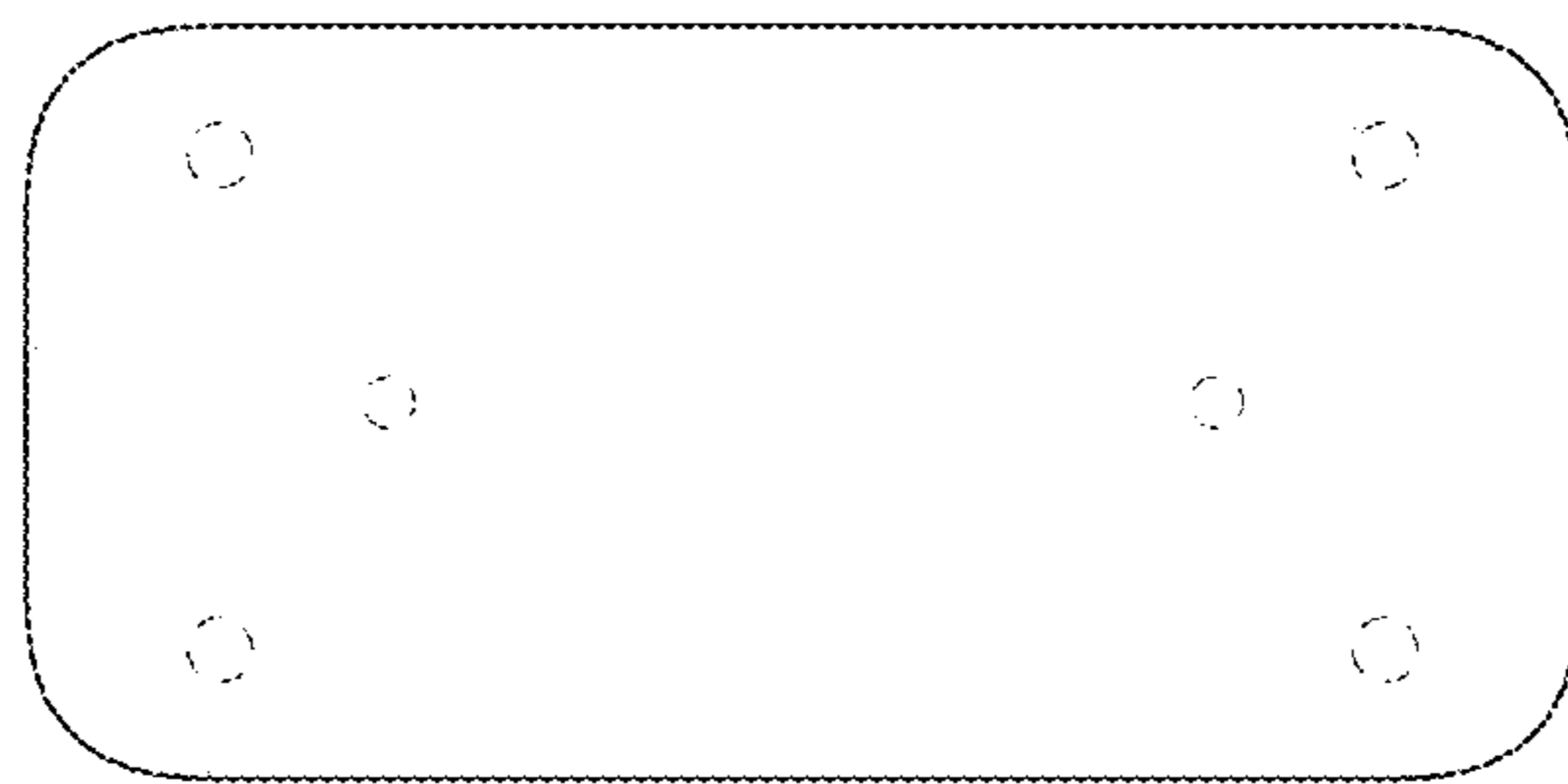


FIG. 7