



US00D948498S

(12) **United States Design Patent**
Okawa

(10) **Patent No.:** **US D948,498 S**

(45) **Date of Patent:** **** Apr. 12, 2022**

(54) **CHECK-IN KIOSK**

(71) Applicant: **Panasonic Intellectual Property Management Co., Ltd., Osaka (JP)**

(72) Inventor: **Takayuki Okawa, Tokyo (JP)**

(73) Assignee: **Panasonic Intellectual Property Management Co., Ltd., Osaka (JP)**

(**) Term: **15 Years**

(21) Appl. No.: **29/741,451**

(22) Filed: **Jul. 13, 2020**

(30) **Foreign Application Priority Data**

Jan. 22, 2020 (JP) 2020-000973 D

(51) **LOC (13) Cl.** **14-02**

(52) **U.S. Cl.**
USPC **D14/307**

(58) **Field of Classification Search**

USPC D14/302-307, 900-902; D13/163;
D20/10; D21/332, 325, 369, 370;
D99/28; D6/397, 466; 194/206;
361/679.01, 679.02, 679.04, 679.21,
361/679.57, 725
CPC G06Q 20/18; G06Q 20/10; G06Q 20/123;
G06Q 20/20; G06Q 30/02; G06Q 30/06;
A47F 9/047

See application file for complete search history.

(56) **References Cited**

U.S. PATENT DOCUMENTS

D751,061 S 3/2016 Berini
D774,029 S 12/2016 Kim et al.
D836,625 S * 12/2018 Szeredi D14/307

D864,193 S * 10/2019 Oosawa D14/307
D883,278 S * 5/2020 Yopez D14/307
D888,705 S * 6/2020 Saito D14/307
D902,918 S * 11/2020 Friedli D14/307
D904,394 S * 12/2020 Friedli D14/307
D912,655 S * 3/2021 Ahn D14/307
D922,369 S * 6/2021 Hirvesaar D14/307
D923,094 S * 6/2021 Adams D20/1
D928,141 S * 8/2021 Huang D14/303
D928,772 S * 8/2021 Ahn D14/307
D934,236 S * 10/2021 Giacomini D14/307
D937,823 S * 12/2021 Ahn D14/307

* cited by examiner

Primary Examiner — Austin Murphy

(74) *Attorney, Agent, or Firm* — Crowell & Moring LLP

(57) **CLAIM**

I claim the ornamental design for a check-in kiosk, as shown and described.

DESCRIPTION

FIG. 1 is a front perspective view of a check-in kiosk according to the invention;
FIG. 2 is a rear perspective view thereof;
FIG. 3 is a front view thereof;
FIG. 4 is a rear view thereof;
FIG. 5 is a left side view thereof;
FIG. 6 is a right side view thereof;
FIG. 7 is a top view thereof; and,
FIG. 8 is a bottom view thereof.

The ornamental design which is claimed is shown in solid lines in the drawings. The broken lines in the drawings form no part of the claimed design. Broken lines formed by equal length dashes show unclaimed subject matter. Broken lines formed of unequal length dashes (i.e., dash-dot) define bounds of the claimed design.

1 Claim, 8 Drawing Sheets

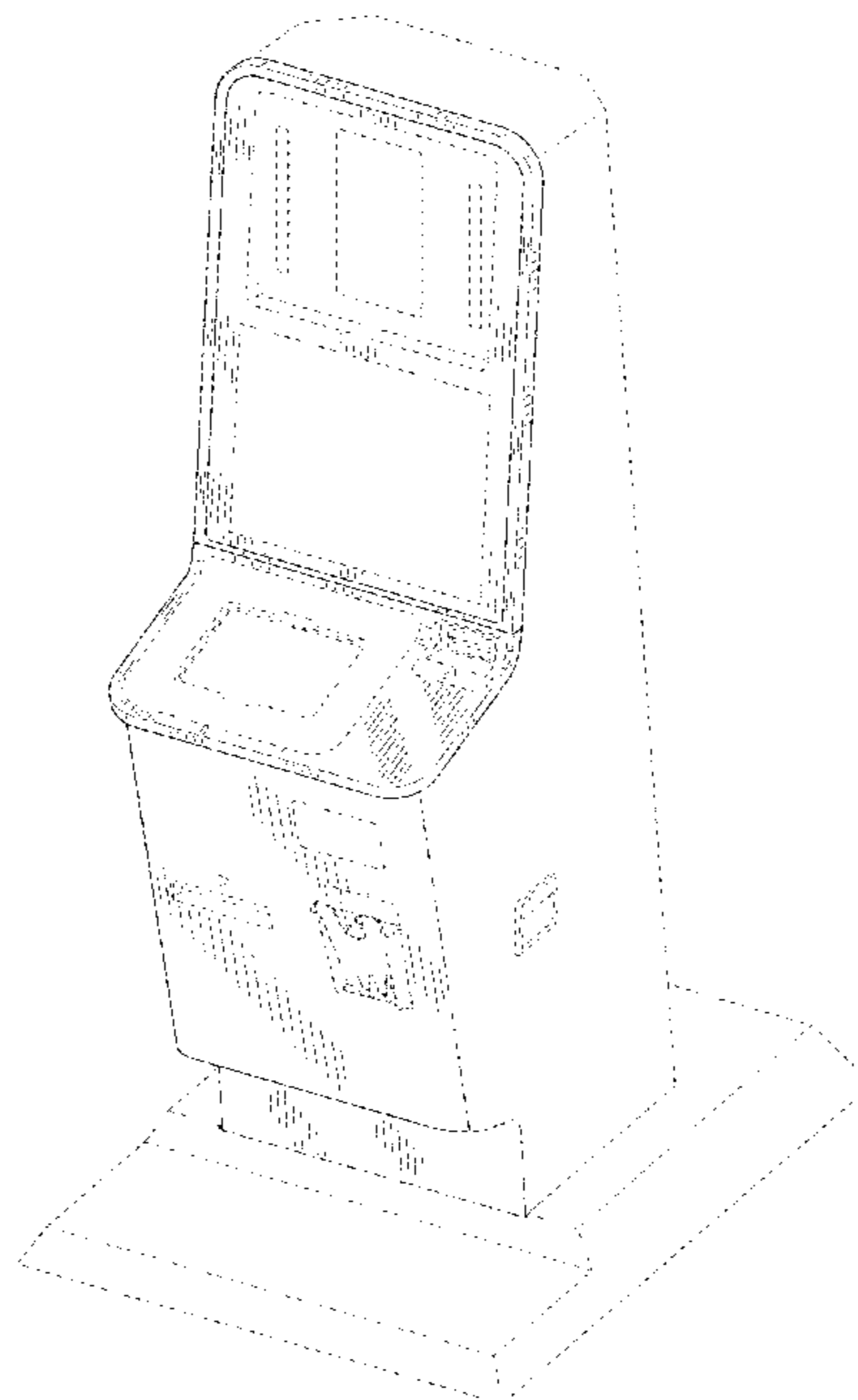


FIG. 1

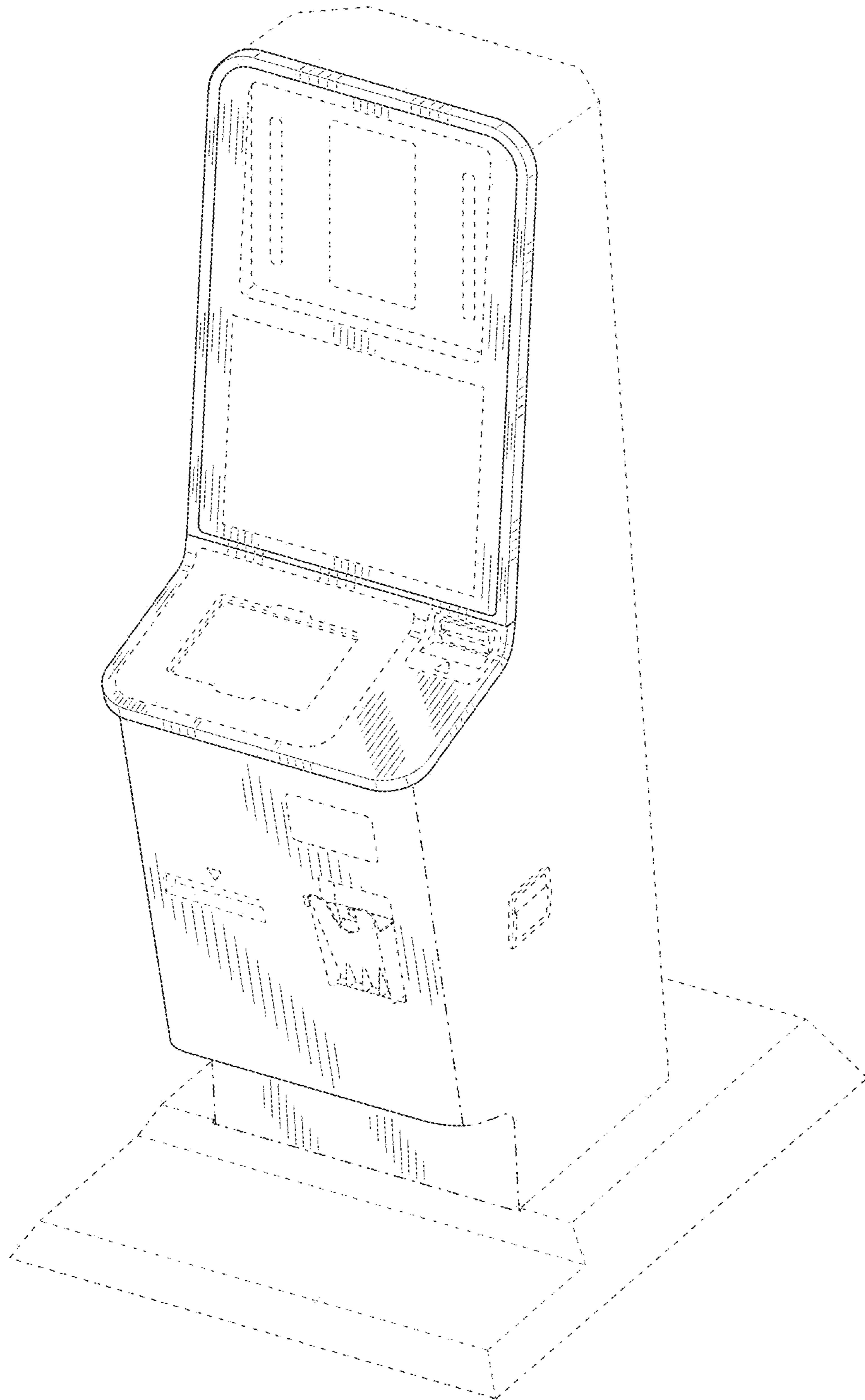


FIG. 2

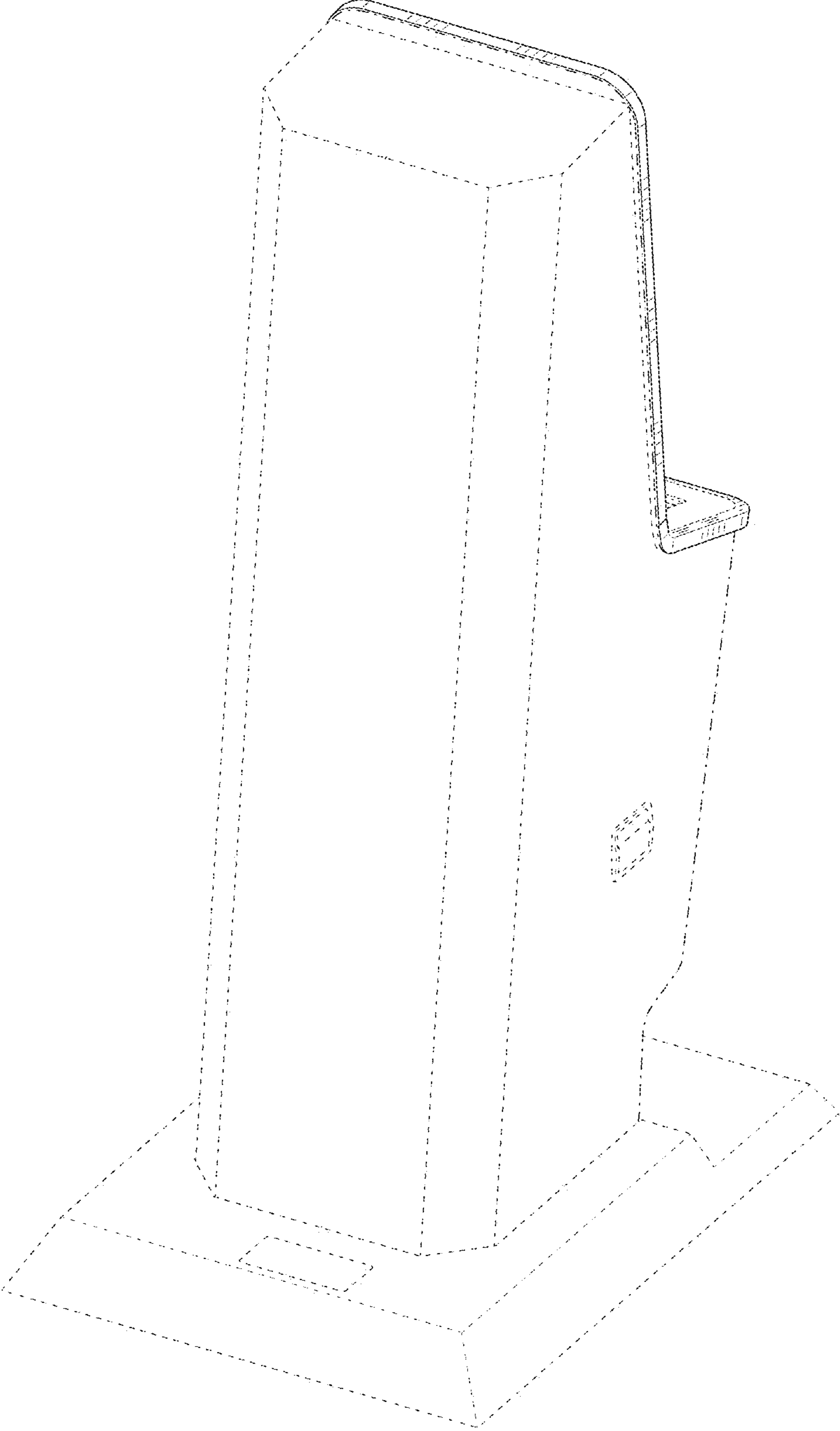


FIG. 3

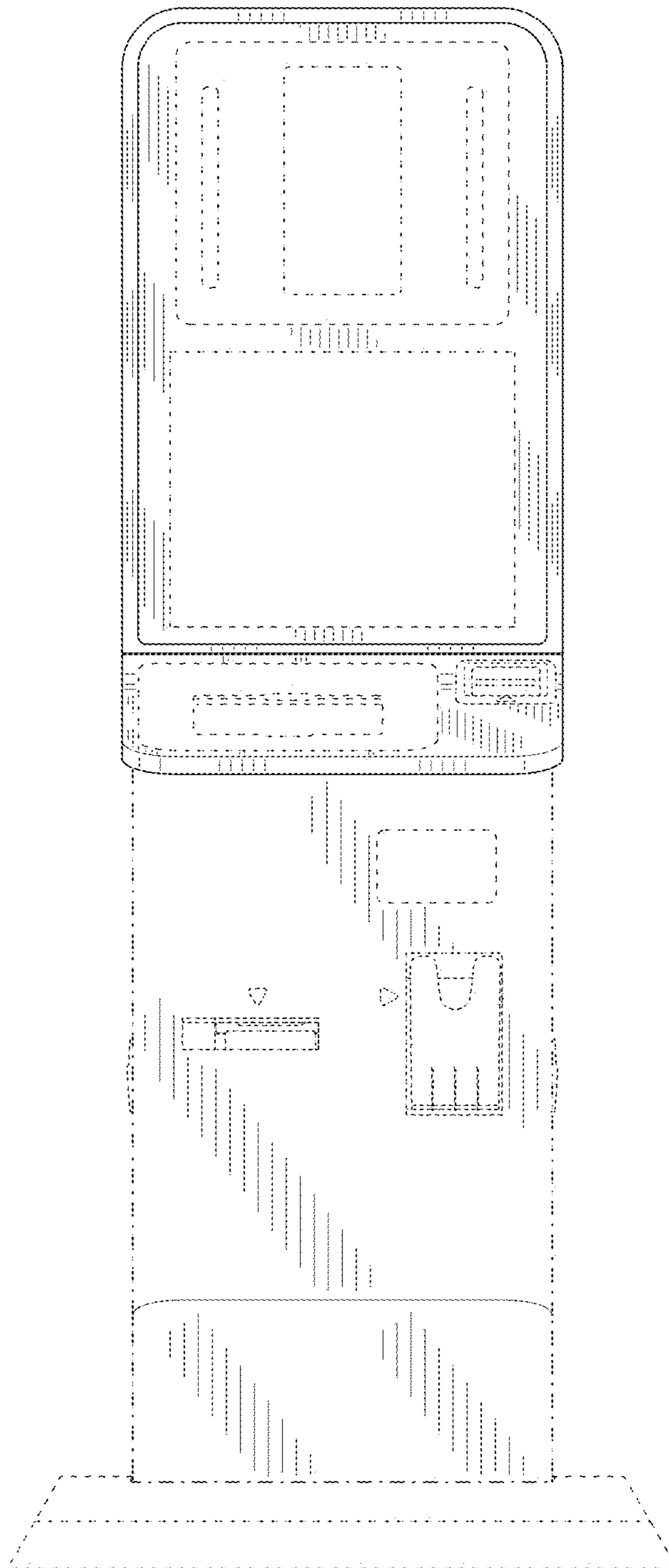


FIG. 4

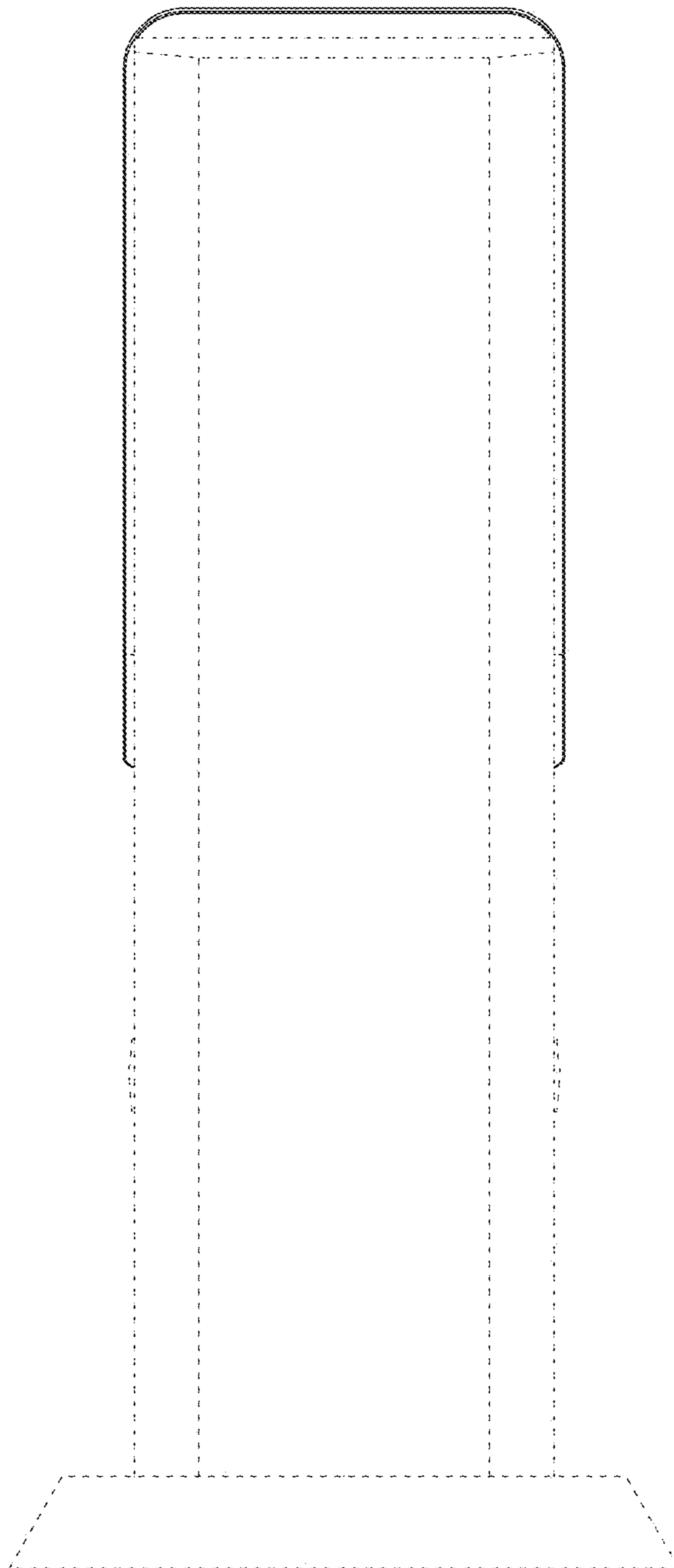


FIG. 5

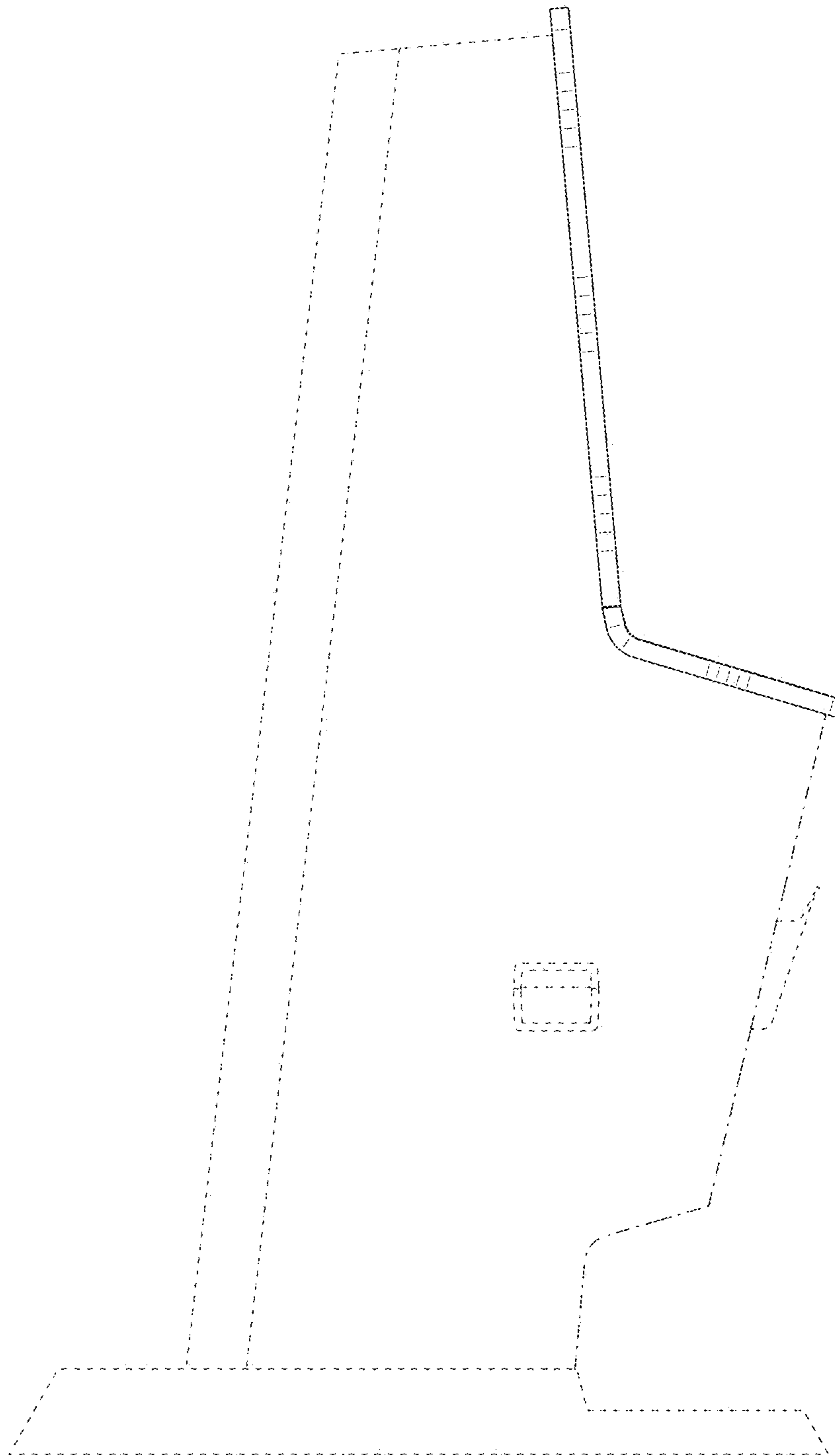


FIG. 6

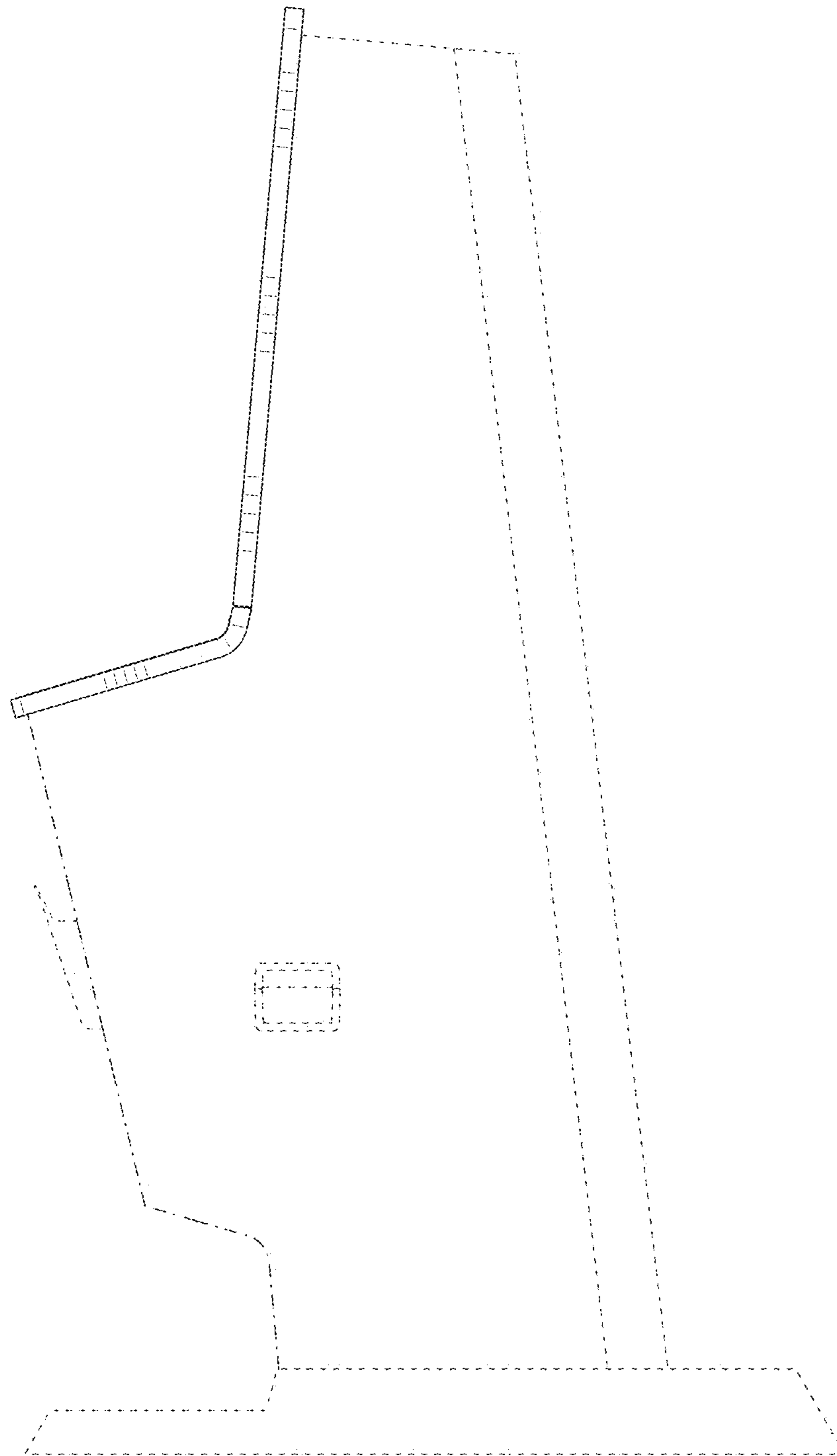


FIG. 7

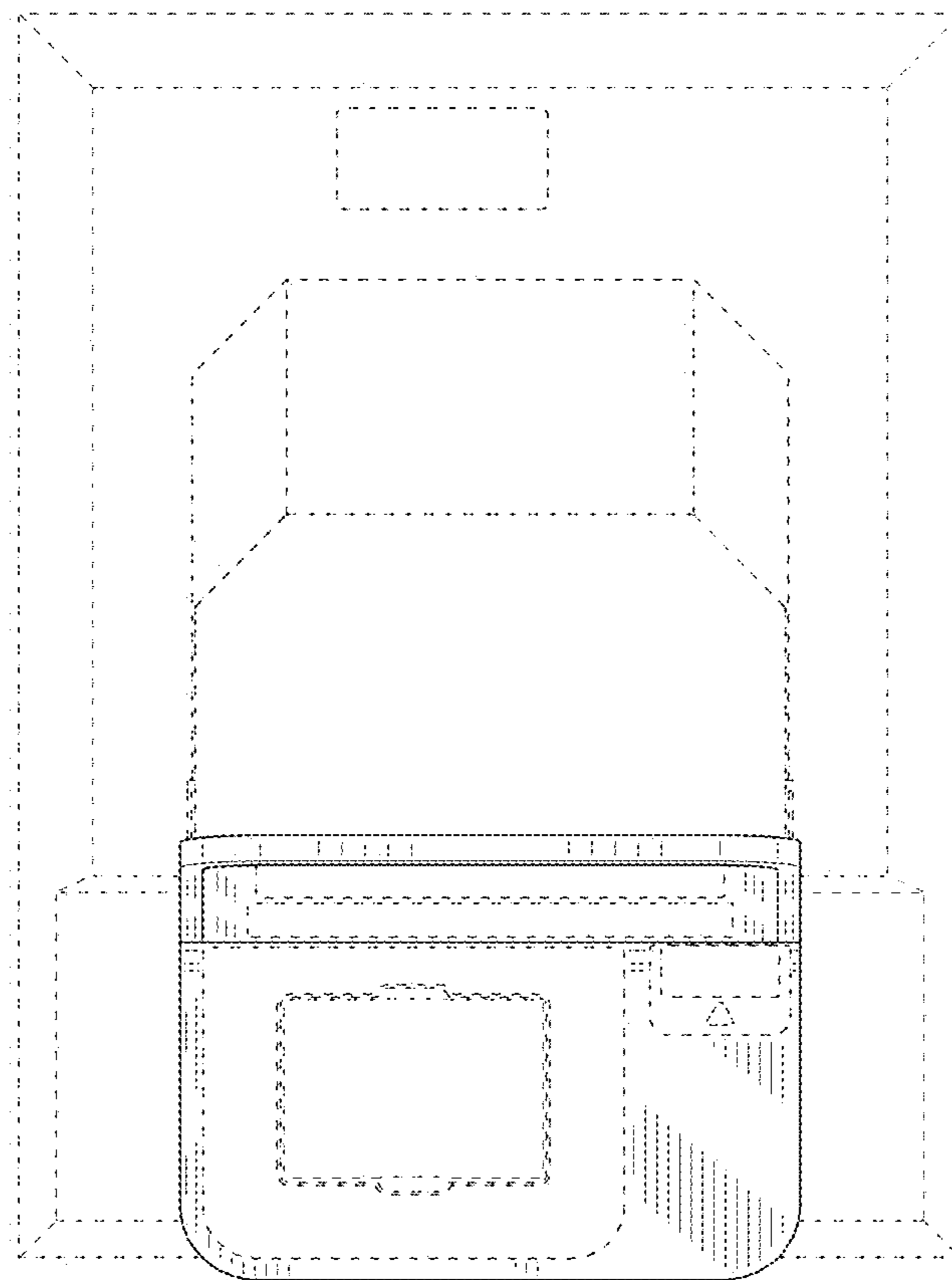


FIG. 8

