



US00D948497S

(12) **United States Design Patent**
Heroux

(10) **Patent No.:** **US D948,497 S**
(45) **Date of Patent:** **** Apr. 12, 2022**

- (54) **COMBINED STAND AND EXTENDABLE MEMBER FOR MOBILE DEVICES**
- (71) Applicant: **Hip Innovations, LLC**, Calabasas, CA (US)
- (72) Inventor: **Steve Heroux**, Hidden Hills, CA (US)
- (73) Assignee: **HIP INNOVATIONS, LLC**, Calabasas, CA (US)

- 8,016,107 B2 9/2011 Emsky
- 8,651,529 B2 2/2014 Yair
- 9,155,213 B2 * 10/2015 Jones F16M 11/041
- 9,300,346 B2 * 3/2016 Hirsch H04B 1/385
- 9,301,584 B2 * 4/2016 Butts H05K 5/023
- D756,339 S 5/2016 Tussy
- 9,473,190 B1 10/2016 Sandlofer
- D771,030 S 11/2016 Tussy
- D775,114 S * 12/2016 Khalili D14/250
- D778,275 S * 2/2017 Gabriel D14/250

(Continued)

- (**) Term: **15 Years**
- (21) Appl. No.: **29/751,830**
- (22) Filed: **Sep. 23, 2020**

FOREIGN PATENT DOCUMENTS

JP 2017158165 7/2017

Primary Examiner — Janice Hallmark

(74) *Attorney, Agent, or Firm* — Cislo & Thomas, LLP

Related U.S. Application Data

- (63) Continuation-in-part of application No. 16/735,321, filed on Jan. 6, 2020, now Pat. No. 11,128,337, which is a continuation-in-part of application No. 16/579,477, filed on Sep. 23, 2019, now Pat. No. 10,920,929.

(51) **LOC (13) Cl.** **14-03**

(52) **U.S. Cl.**
USPC **D14/253**

(58) **Field of Classification Search**
USPC D14/251–253, 447, 250; D12/415; D3/218
CPC H04M 1/02; H04M 1/04; A45C 11/00; F16M 11/04; F16M 11/10; F16M 13/02; H04B 1/3888; F16C 11/04
See application file for complete search history.

(57) **CLAIM**

The ornamental design for a combined stand and extendable member for mobile devices, as shown and described.

DESCRIPTION

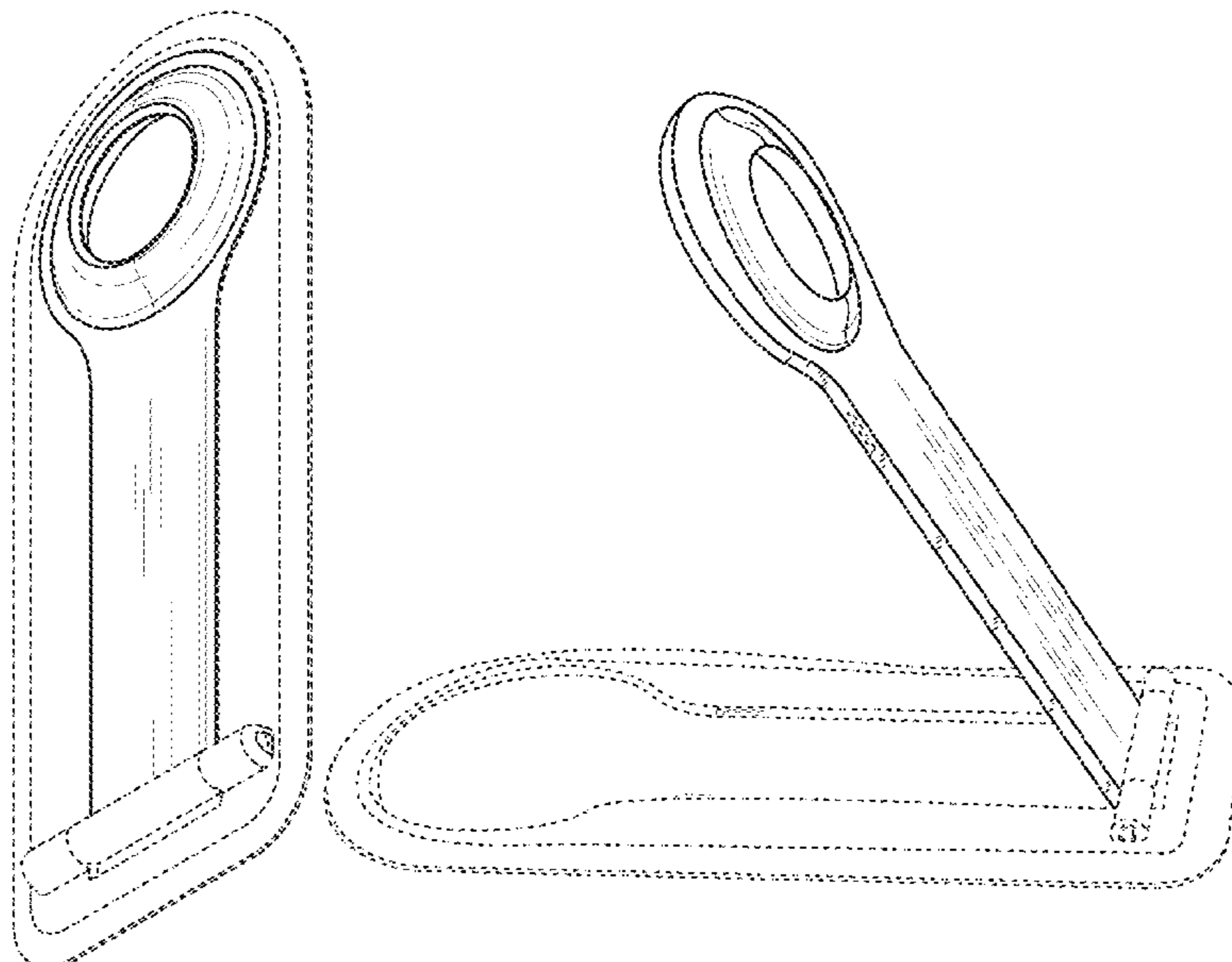
FIG. 1 is a perspective view of my combined stand and extendable member for mobile devices in a closed configuration;
FIG. 2 is another perspective view thereof in an open configuration;
FIG. 3 is a front view thereof in the closed configuration;
FIG. 4 is a rear view thereof in the closed configuration;
FIG. 5 is a right side view thereof in the closed configuration;
FIG. 6 is a left side view thereof in the closed configuration;
FIG. 7 is a top view thereof in the closed configuration; and,
FIG. 8 is a bottom view thereof in the closed configuration.
The broken lines shown in the drawings illustrate portions of my combined stand and extendable member for mobile devices that form no part of the claimed design.

(56) **References Cited**

U.S. PATENT DOCUMENTS

- D559,230 S 1/2008 Griffin et al.
- 7,845,612 B2 12/2010 Mase
- D645,463 S * 9/2011 Kao D14/253

1 Claim, 6 Drawing Sheets



(56)

References Cited

U.S. PATENT DOCUMENTS

D778,899 S *	2/2017	Khalili	D14/253	D896,805 S *	9/2020	Stagge	D14/253
D780,166 S	2/2017	Lin			D899,418 S *	10/2020	Kozelian, Jr.	D14/253
D786,235 S	5/2017	Oy			D904,388 S *	12/2020	Martin	D14/253
9,677,702 B2	6/2017	Kim			D908,688 S *	1/2021	Zhang	D14/253
9,699,283 B2 *	7/2017	Aldana	H04M 1/04	10,920,929 B1 *	2/2021	Heroux	H04B 1/3888
D794,007 S *	8/2017	Zhang	D14/250	D929,985 S *	9/2021	Yeo	D14/251
D795,238 S *	8/2017	Kim	D14/250	D932,482 S *	10/2021	Del Toro	D14/253
9,723,735 B1	8/2017	Kim			2007/0062089 A1	3/2007	Homer et al.		
9,912,368 B2	3/2018	Kim			2012/0025039 A1	2/2012	Segal		
9,917,937 B1	3/2018	Fathollahi et al.			2012/0182680 A1	7/2012	Wetzel		
9,936,780 B2	4/2018	Tu			2012/0190501 A1	8/2012	Le Gette		
D817,316 S *	5/2018	Srour	D14/251	2013/0286623 A1	10/2013	Slipy et al.		
9,985,678 B1	5/2018	Sumida et al.			2015/0244408 A1	8/2015	Chen		
D837,781 S *	1/2019	Ingram	D14/250	2016/0033074 A1	2/2016	Drakos		
D842,851 S *	3/2019	Leitman	D14/253	2016/0066453 A1	3/2016	Quehl et al.		
10,326,487 B2 *	6/2019	Mody	H04B 1/3877	2016/0073749 A1	3/2016	Lach		
10,362,697 B2	7/2019	Yuan			2016/0120297 A1	5/2016	Senoff		
D855,605 S *	8/2019	Kim	D14/250	2016/0183652 A1	6/2016	Strange		
D855,606 S *	8/2019	Kim	D14/250	2016/0286016 A1 *	9/2016	Lee	H05K 5/0234
D857,005 S *	8/2019	Yu	D14/253	2016/0353867 A1	12/2016	Due		
D858,511 S *	9/2019	Yu	D14/253	2018/0041237 A1	2/2018	Mody et al.		
D860,984 S *	9/2019	Stagge	D14/250	2018/0088445 A1	3/2018	Michaud		
D863,287 S *	10/2019	Srour	D14/251	2018/0213664 A1 *	7/2018	Yuan	F16M 13/00
D878,350 S *	3/2020	Stagge	D14/253	2018/0220782 A1	8/2018	Mody et al.		
D883,272 S *	5/2020	Park	D14/253	2018/0248580 A1	8/2018	Edman		
D885,375 S *	5/2020	Haskell	D14/250	2018/0332153 A1	11/2018	Brown		
D894,890 S *	9/2020	Lederer	D14/253	2020/0063915 A1	2/2020	Lederer		
D895,600 S *	9/2020	Lancet	D14/253	2021/0059370 A1 *	3/2021	Del Toro	F16M 13/005
					2021/0091817 A1 *	3/2021	Heroux	F16C 11/04
					2021/0100343 A1 *	4/2021	Murphy	F16M 13/04

* cited by examiner

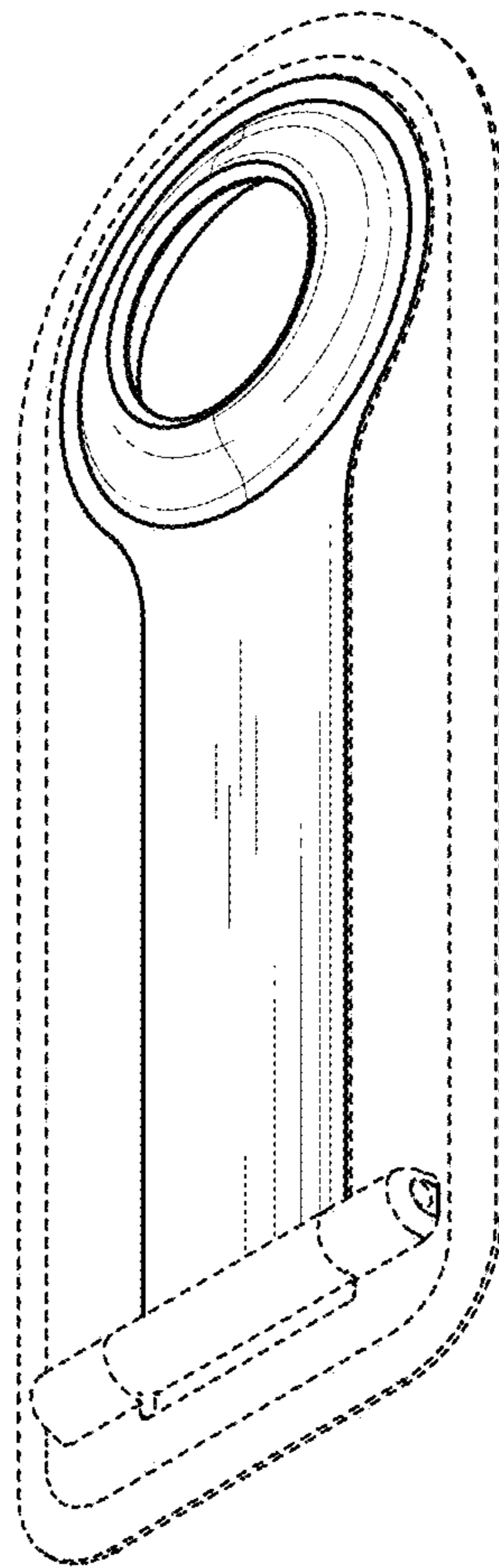


Fig. 1

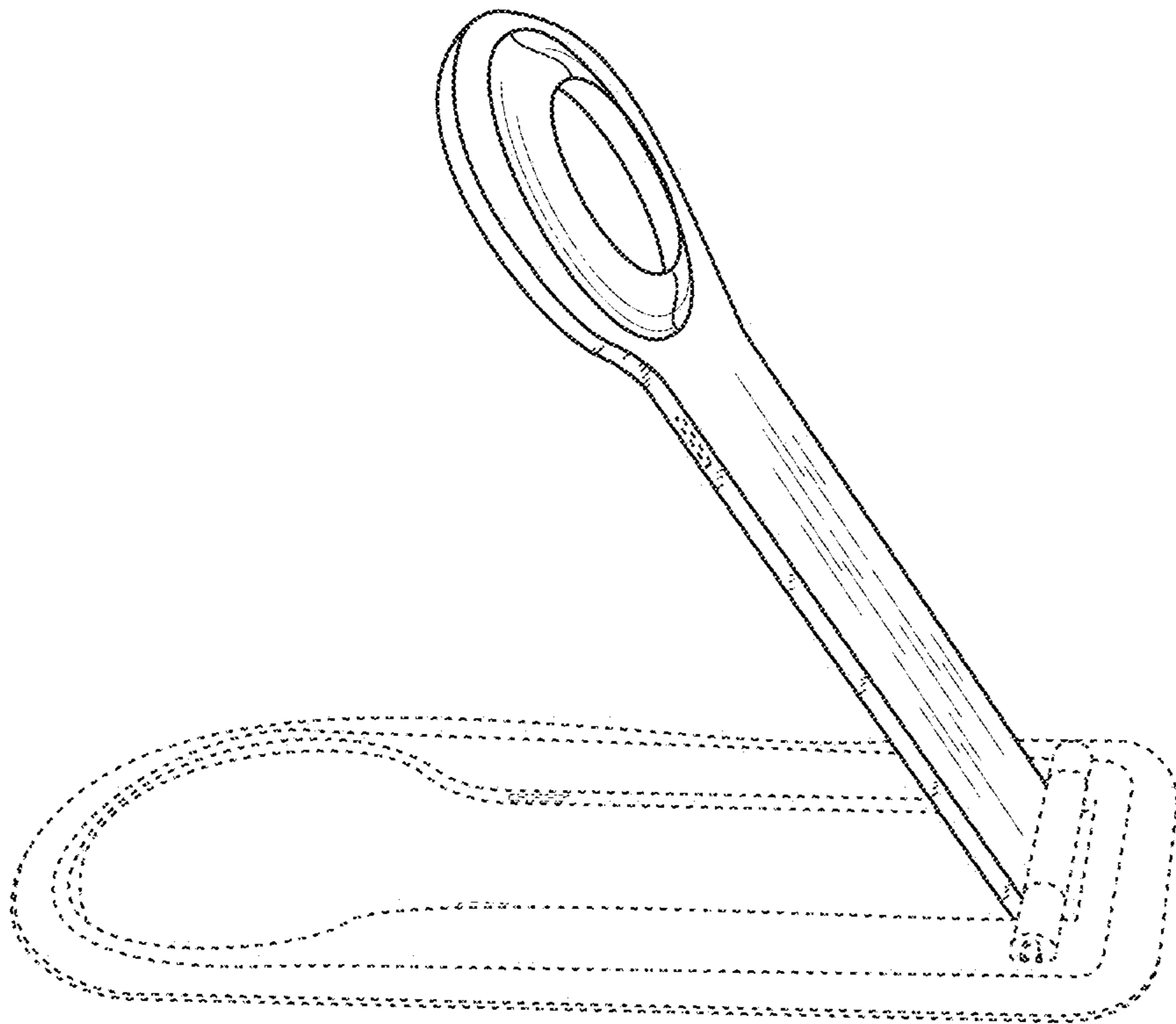


Fig. 2

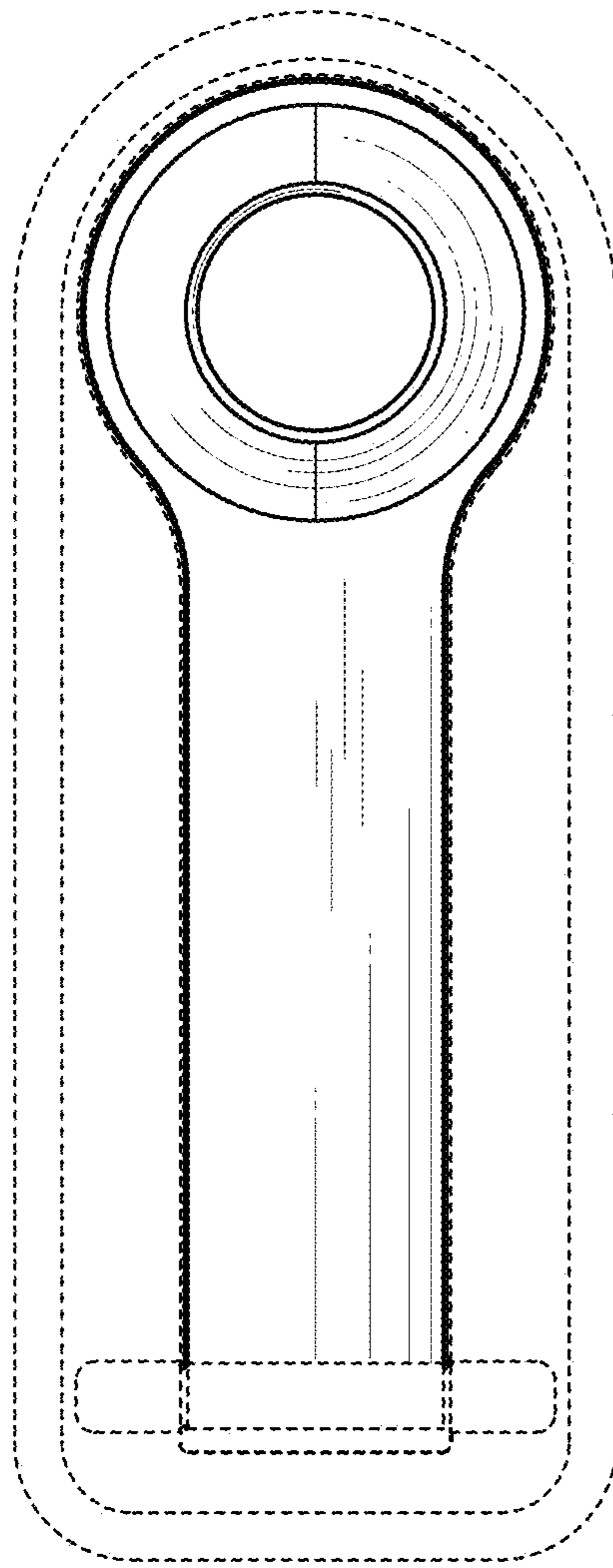


Fig. 3

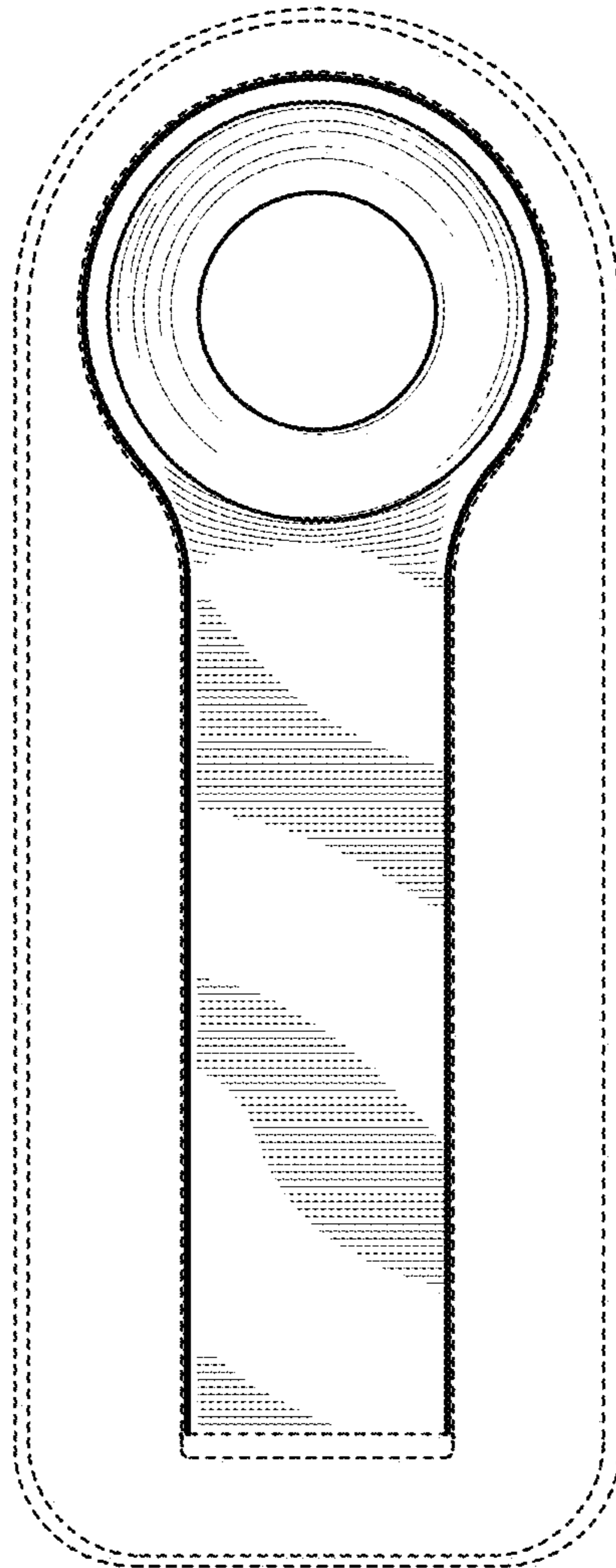


Fig. 4

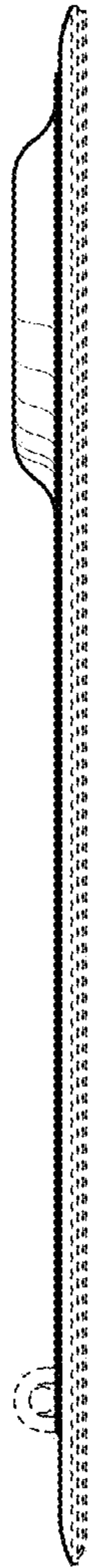


Fig. 5

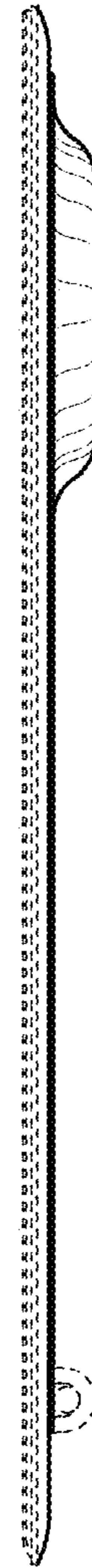


Fig. 6



Fig. 7



Fig. 8