



US00D948492S

(12) **United States Design Patent**
Akana et al.

(10) **Patent No.:** **US D948,492 S**
(45) **Date of Patent:** **** Apr. 12, 2022**

(54) **CASE FOR AN ELECTRONIC DEVICE**

(71) Applicant: **Apple Inc.**, Cupertino, CA (US)

(72) Inventors: **Jody Akana**, San Francisco, CA (US); **Molly Anderson**, San Francisco, CA (US); **Bartley K. Andre**, Palo Alto, CA (US); **Shota Aoyagi**, San Francisco, CA (US); **Anthony Michael Ashcroft**, San Francisco, CA (US); **Marine C. Bataille**, San Francisco, CA (US); **Jeremy Bataillou**, San Francisco, CA (US); **Abidur Rahman Chowdhury**, San Francisco, CA (US); **Clara Geneviève Marine Courtaigne**, Palo Alto, CA (US); **Markus Diebel**, San Francisco, CA (US); **Jonathan Gomez Garcia**, San Francisco, CA (US); **M. Evans Hankey**, San Francisco, CA (US); **Richard P. Howarth**, San Francisco, CA (US); **Jonathan P. Ive**, San Francisco, CA (US); **Julian Jaede**, San Francisco, CA (US); **Duncan Robert Kerr**, San Francisco, CA (US); **Peter Russell-Clarke**, San Francisco, CA (US); **Benjamin Andrew Shaffer**, San Jose, CA (US); **Joe Sung-Ho Tan**, San Francisco, CA (US); **Clement Tissandier**, San Francisco, CA (US); **Eugene Antony Whang**, San Francisco, CA (US)

(73) Assignee: **Apple Inc.**, Cupertino, CA (US)

(**) Term: **15 Years**

(21) Appl. No.: **29/745,410**

(22) Filed: **Aug. 5, 2020**

(51) **LOC (13) Cl.** **14-03**

(52) **U.S. Cl.**
USPC **D14/250**

(58) **Field of Classification Search**

USPC D14/203.3–203.7, 439, 251–253, 447,
D14/217, 240, 238.1, 250, 440, 248;
(Continued)

(56) **References Cited**

U.S. PATENT DOCUMENTS

D547,057 S * 7/2007 Griffin D3/218
D551,856 S * 10/2007 Ko D3/201
(Continued)

FOREIGN PATENT DOCUMENTS

CN 305309648 S 8/2019
CN 305899910 S 7/2020
(Continued)

Primary Examiner — Carla J Wright

(74) *Attorney, Agent, or Firm* — Sterne, Kessler,
Goldstein & Fox P.L.L.C.

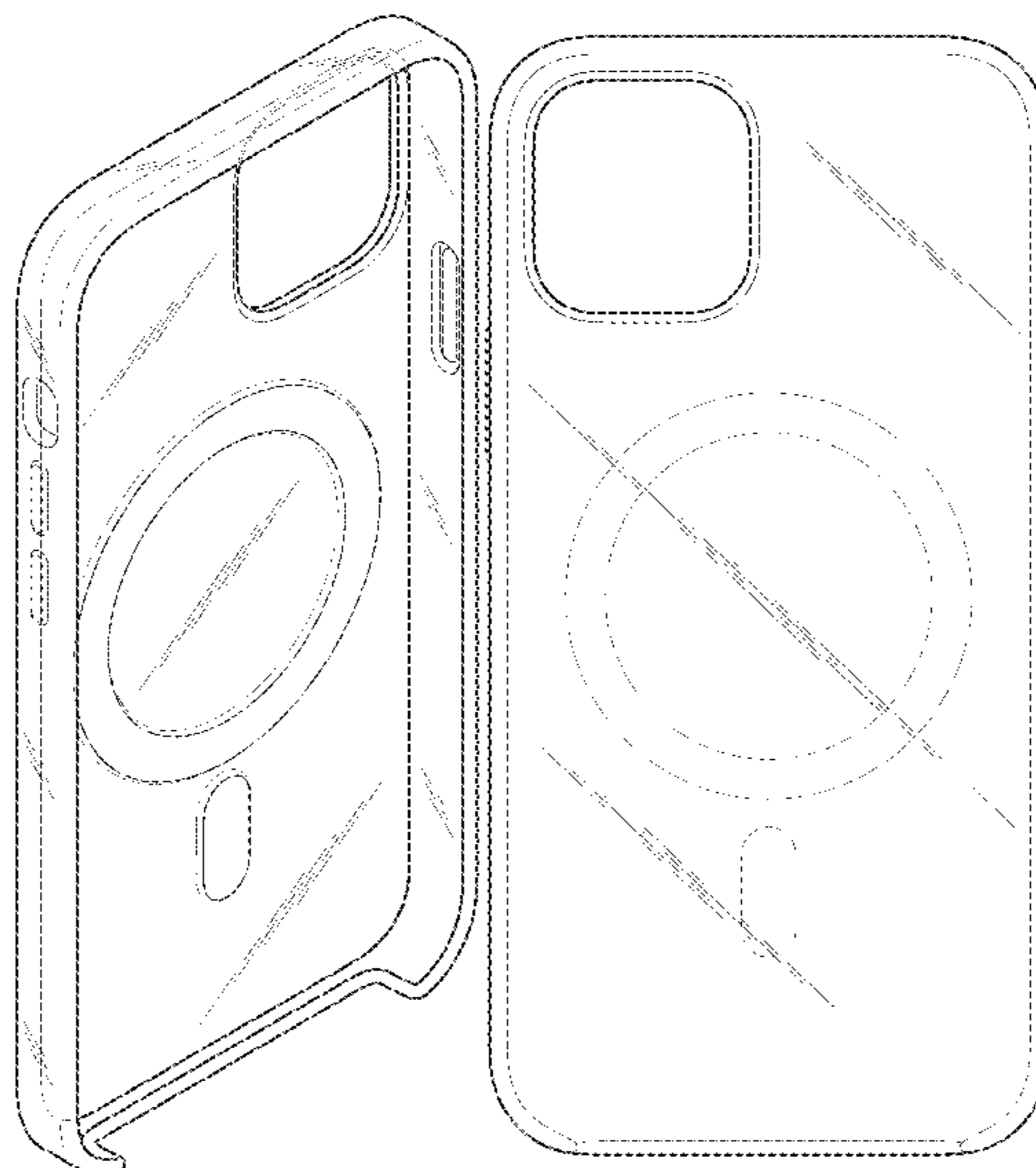
(57) **CLAIM**

The ornamental design for a case for an electronic device, as shown.

DESCRIPTION

FIG. 1 is a top front, top, and left-side perspective view of a case for an electronic device showing the claimed design; FIG. 2 is a bottom rear, bottom, and right-side perspective view thereof; FIG. 3 is a front view thereof; FIG. 4 is a rear view thereof; FIG. 5 is a left side view thereof; FIG. 6 is a right side view thereof; FIG. 7 is a top view thereof; and, FIG. 8 is a bottom view thereof.

1 Claim, 6 Drawing Sheets



(58) **Field of Classification Search**
 USPC D13/107-108, 103, 119; D3/201, 218,
 D3/247, 249, 269, 273, 301, 303
 CPC . H04B 1/3888; A45C 13/02; A45C 2011/002;
 A45C 1/06; A45C 11/00; A45F 2005/026;
 A45F 2200/0525; A45F 2200/0516;
 H04M 1/0283; H04M 1/0202
 See application file for complete search history.

(56) **References Cited**

U.S. PATENT DOCUMENTS

D569,607 S * 5/2008 Calco D3/201
 D574,819 S 8/2008 Andre et al.
 D575,056 S 8/2008 Tan
 D593,750 S 6/2009 Song
 D594,849 S * 6/2009 Ko D14/217
 D606,751 S 12/2009 Andre et al.
 D619,361 S 7/2010 Andre et al.
 D622,716 S 8/2010 Andre et al.
 D623,180 S 9/2010 Diebel
 D628,799 S * 12/2010 Andre D3/269
 D644,218 S 8/2011 Akana et al.
 D649,539 S 11/2011 Hong
 D657,782 S * 4/2012 Biller D14/250
 D668,458 S * 10/2012 Lee D3/303
 D669,458 S 10/2012 Wilson et al.
 8,286,789 B2 10/2012 Wilson et al.
 D671,930 S 12/2012 Akana et al.
 D673,554 S 1/2013 Simmer
 D675,198 S 1/2013 Andre et al.
 D682,817 S 5/2013 Murchison et al.
 D686,605 S * 7/2013 Palmeri D14/250
 D686,606 S 7/2013 Hong
 D694,743 S 12/2013 Monaco et al.
 D697,503 S 1/2014 Melanson et al.
 D699,717 S 2/2014 Akana et al.
 D709,439 S 7/2014 Ferber et al.
 D712,892 S 9/2014 Hong et al.
 D714,276 S * 9/2014 Hu D14/250
 D721,359 S 1/2015 Kim
 D722,043 S 2/2015 Requa
 D723,531 S * 3/2015 Katzke D14/250
 D723,535 S 3/2015 Minn et al.
 D726,703 S 4/2015 Akana et al.
 D730,340 S 5/2015 Akana et al.
 D732,518 S 6/2015 Akana et al.
 D735,182 S 7/2015 Watkins et al.

D735,184 S * 7/2015 Lee D14/250
 D739,394 S * 9/2015 Rayner D14/250
 D741,312 S * 10/2015 Kim D14/250
 D743,389 S 11/2015 Akana
 D749,067 S * 2/2016 Choe D14/250
 D749,596 S * 2/2016 Khodapanah D14/447
 D759,644 S 6/2016 Penn
 D763,841 S 8/2016 Kim
 9,451,066 B1 * 9/2016 Jia H04M 1/04
 D777,152 S 1/2017 Kim et al.
 D780,742 S * 3/2017 Guerdrum D14/250
 D781,832 S * 3/2017 Snitko D14/250
 D795,237 S * 8/2017 Jung D14/250
 D797,070 S * 9/2017 Lee D14/138 AB
 D823,289 S 7/2018 Akana et al.
 D831,632 S * 10/2018 Jung D14/250
 D836,620 S * 12/2018 Ehrlich D14/250
 D839,858 S 2/2019 Kim
 D840,988 S * 2/2019 Kim D14/250
 D840,989 S * 2/2019 Kim D14/250
 D843,993 S * 3/2019 Jeong D14/250
 D854,004 S * 7/2019 Jung D14/250
 D867,354 S * 11/2019 Choi D14/250
 2008/0251512 A1 * 10/2008 Griffin A45C 11/00
 220/4.02
 2010/0244638 A1 9/2010 Law
 2011/0297578 A1 * 12/2011 Stiehl A45F 5/00
 206/701
 2013/0065647 A1 3/2013 Williams
 2014/0078671 A1 3/2014 Hong
 2014/0110275 A1 4/2014 Wu et al.
 2014/0187297 A1 7/2014 Chang et al.
 2014/0221056 A1 * 8/2014 Gandhi H04B 1/3888
 455/575.8
 2014/0364176 A1 * 12/2014 Pintor H04B 1/385
 455/575.6
 2016/0058146 A1 3/2016 Baker et al.
 2016/0069512 A1 * 3/2016 Grieve A45F 5/00
 294/142
 2017/0196327 A1 * 7/2017 Ma H04B 1/3888
 2019/0298023 A1 * 10/2019 Okada H04B 1/3888

FOREIGN PATENT DOCUMENTS

KR 30-0631697 3/2012
 TW D164353 S 11/2014
 TW D165197 S 1/2015

* cited by examiner

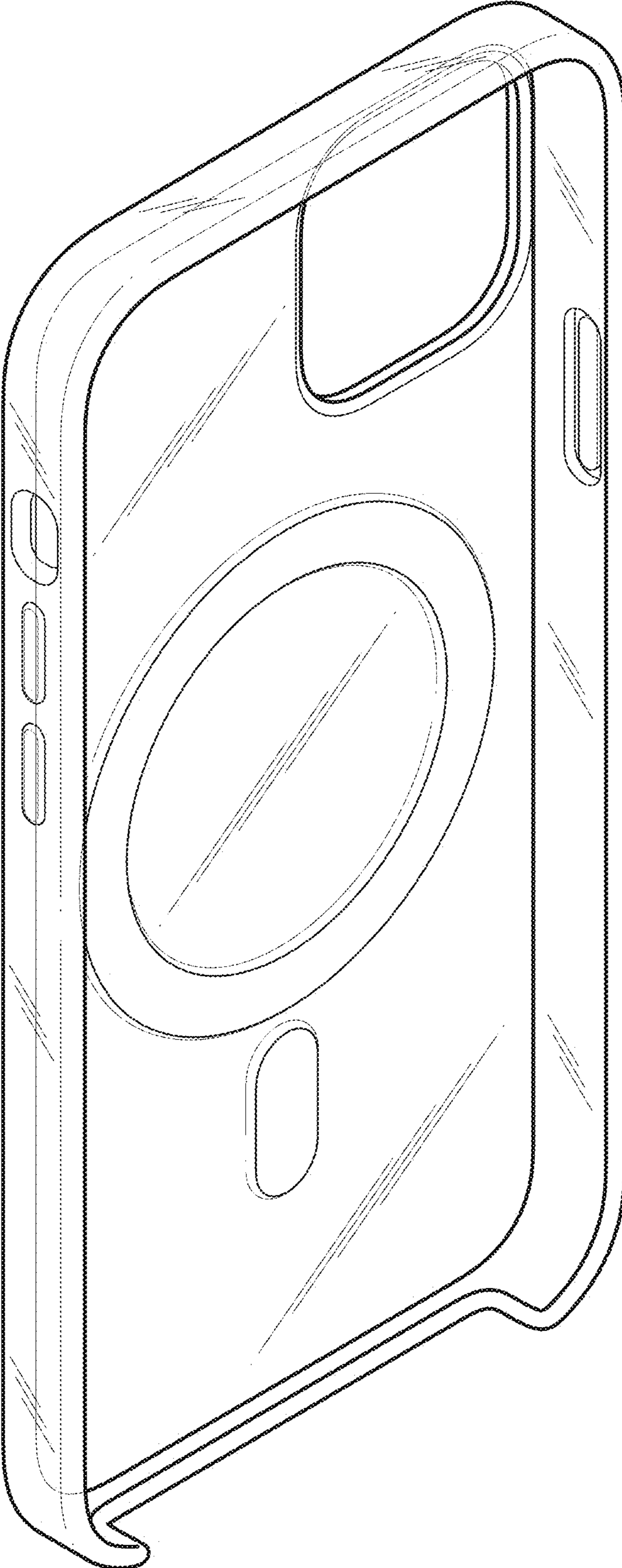


FIG. 1

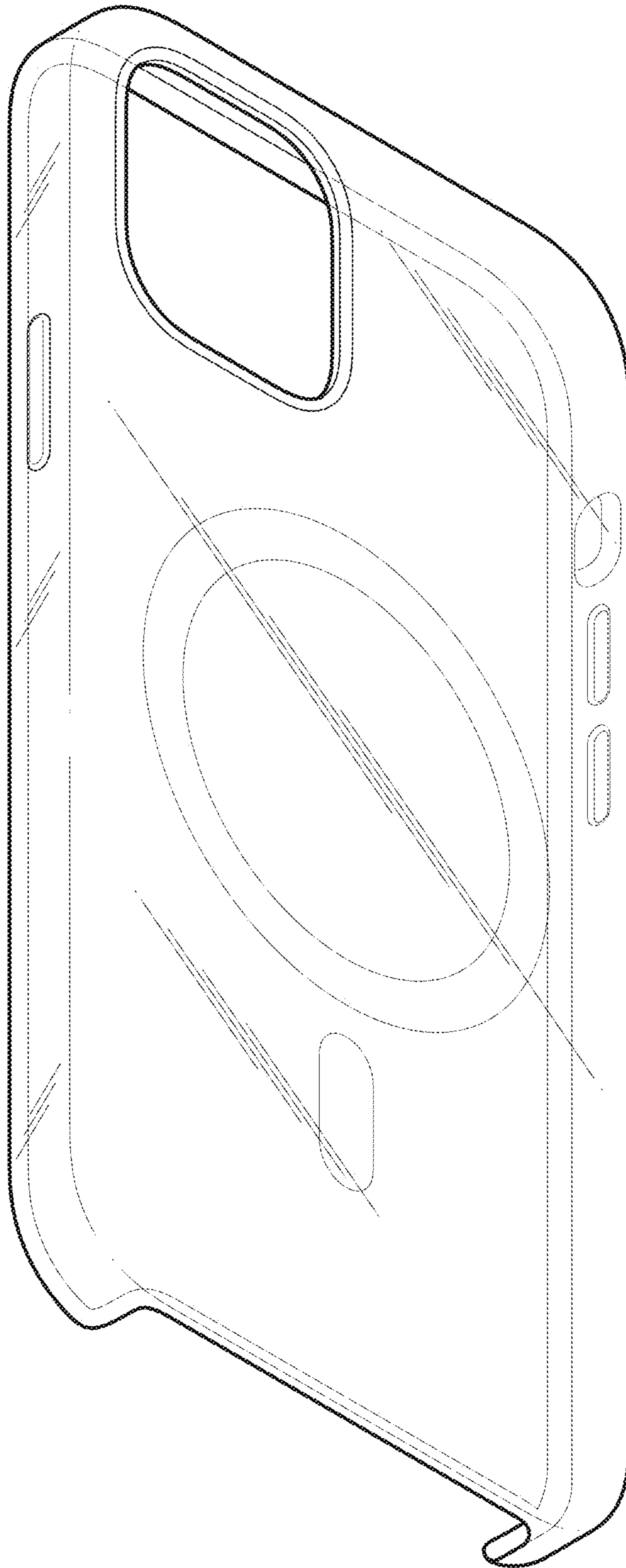


FIG. 2

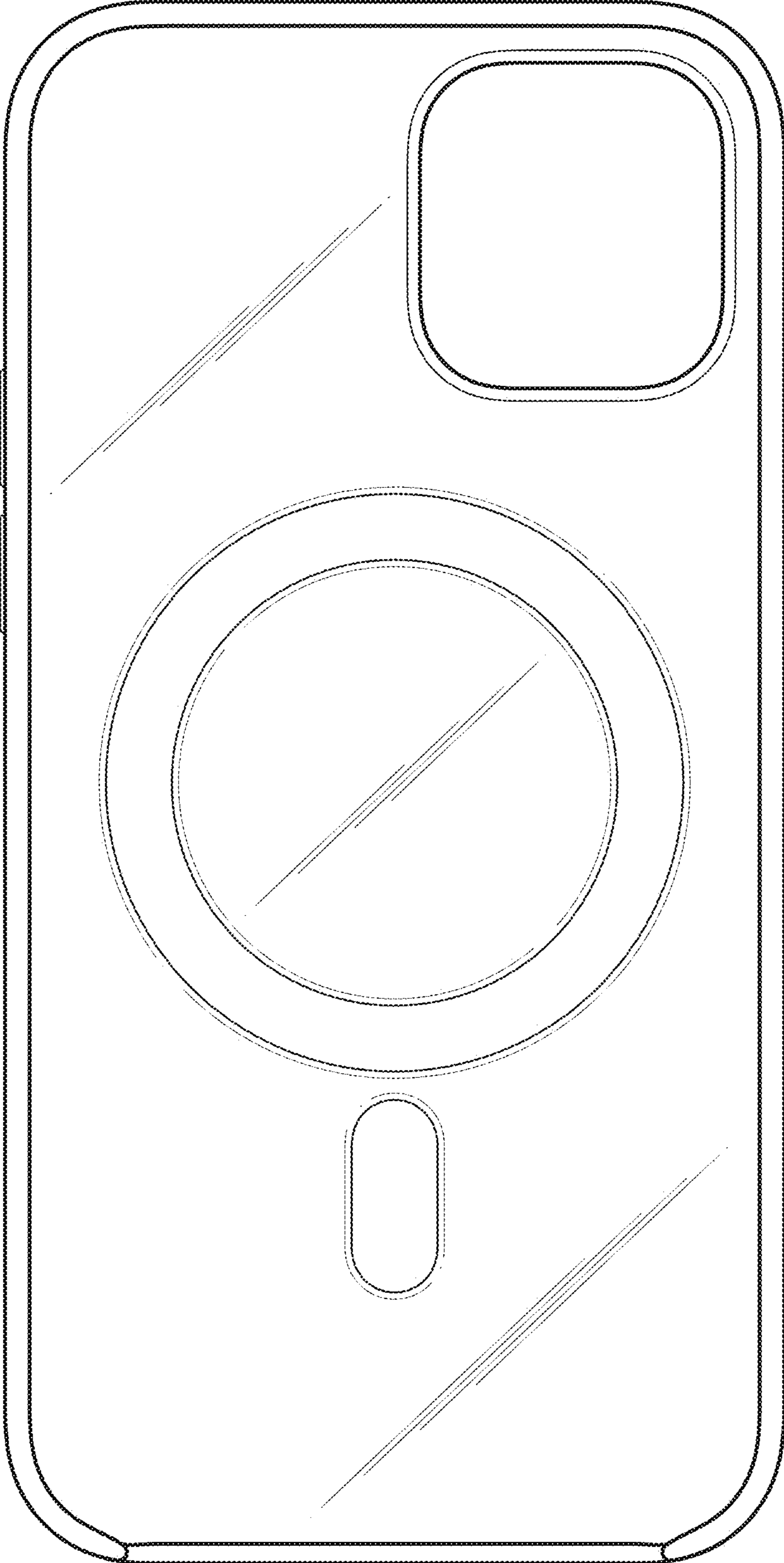


FIG. 3

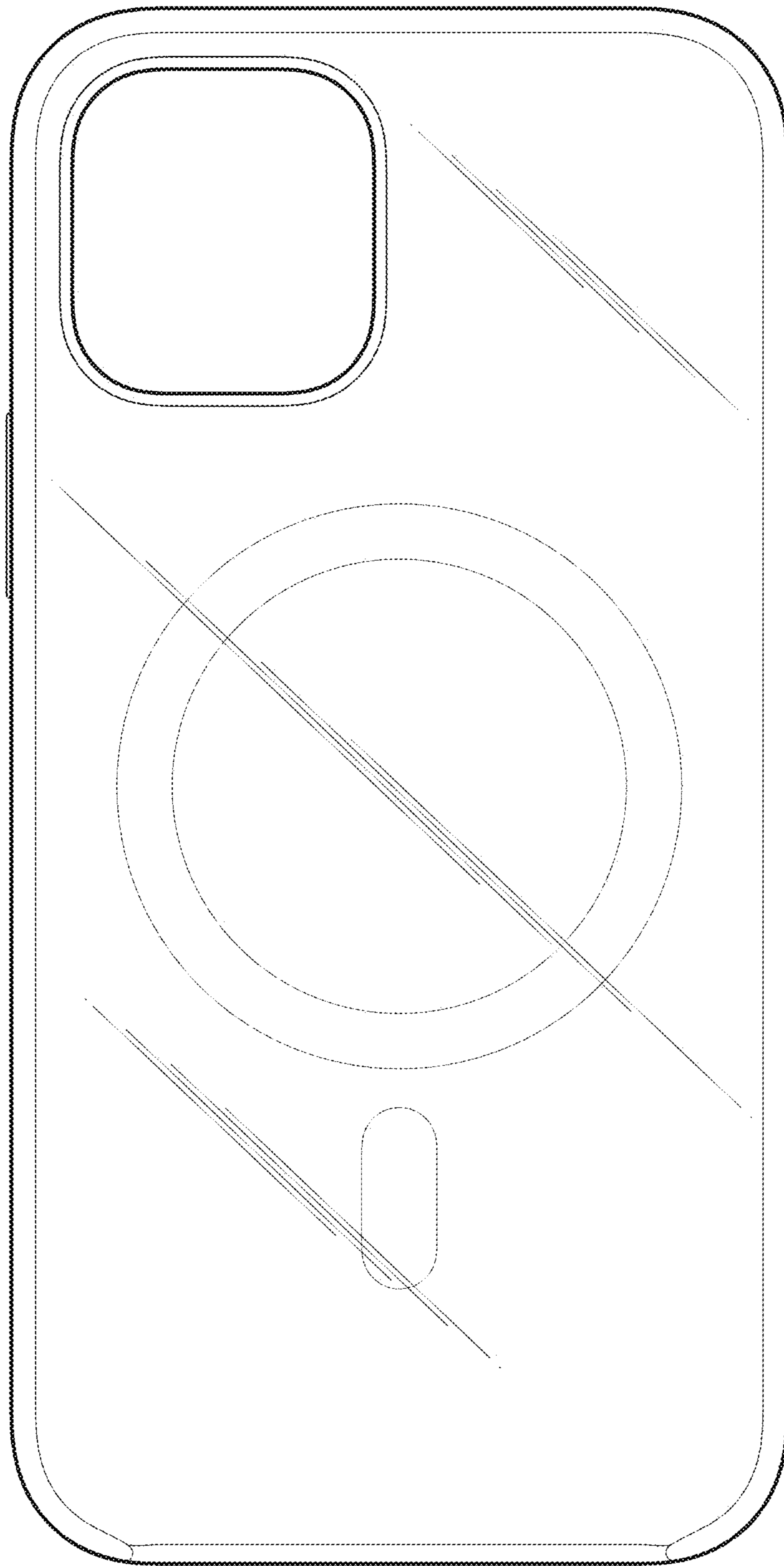


FIG. 4

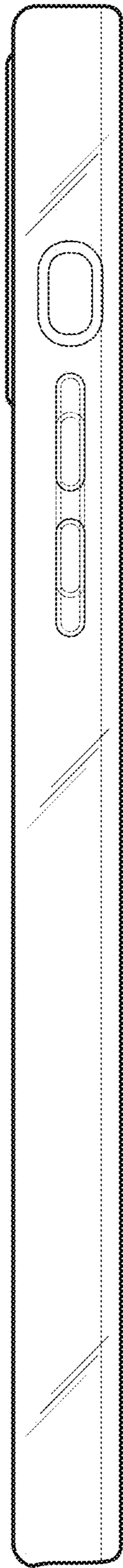


FIG. 5

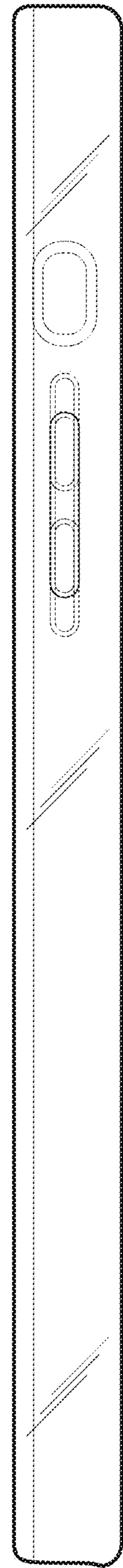


FIG. 6

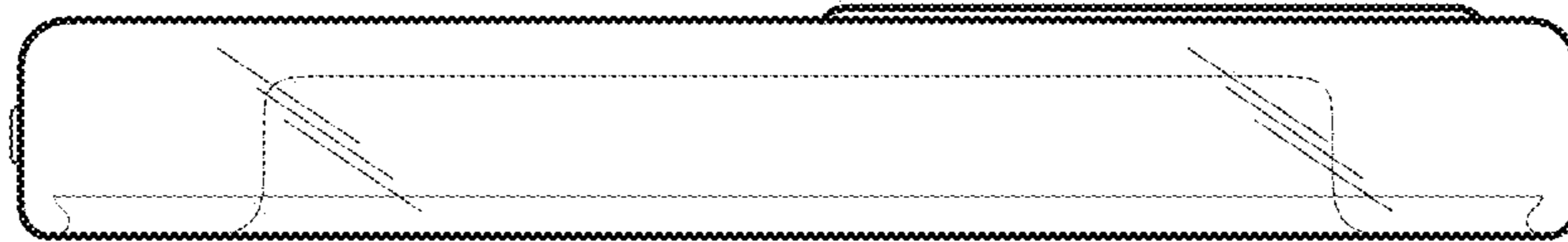


FIG. 7



FIG. 8

UNITED STATES PATENT AND TRADEMARK OFFICE
CERTIFICATE OF CORRECTION

PATENT NO. : D948,492 S
APPLICATION NO. : 29/745410
DATED : April 12, 2022
INVENTOR(S) : Akana et al.

Page 1 of 1

It is certified that error appears in the above-identified patent and that said Letters Patent is hereby corrected as shown below:

On the Title Page

In the Description section, replace:

“FIG. 1 is a top front, top, and left-side perspective view of a case for an electronic device showing the claimed design;

FIG. 2 is a bottom rear, bottom, and right-side perspective view thereof;”

With:

-- FIG. 1 is a front, top, and left-side perspective view of a case for an electronic device showing the claimed design;

FIG. 2 is a rear, bottom, and right-side perspective view thereof; --

Signed and Sealed this
Seventeenth Day of May, 2022



Katherine Kelly Vidal
Director of the United States Patent and Trademark Office