



US00D948488S

(12) **United States Design Patent**
Herpers et al.

(10) **Patent No.:** **US D948,488 S**

(45) **Date of Patent:** **** Apr. 12, 2022**

(54) **WALL MOUNT WITH ARM EXTENSION SUPPORT**

(71) Applicant: **Vogel's Holding B.V.**, Eindhoven (NL)

(72) Inventors: **Tom Herpers**, Eindhoven (NL); **Stefan Luijben**, Helmond (NL)

(73) Assignee: **Vogel's Holding B.V**

(**) Term: **15 Years**

(21) Appl. No.: **29/750,826**

(22) Filed: **Sep. 16, 2020**

(30) **Foreign Application Priority Data**

Mar. 16, 2020 (EM) 007757174-0003

(51) **LOC (13) Cl.** **14-03**

(52) **U.S. Cl.**
USPC **D14/238**

(58) **Field of Classification Search**

USPC D8/354, 349, 355, 363, 373, 380, 387,
D8/388, 389; D20/22, 27, 42, 43;
D14/452, 451, 448, 447, 239

CPC H05K 5/0204; H05K 7/14; F16M 13/02;
H04N 5/655; H04N 5/64; G06F 1/1601;
G06F 1/16; A45F 5/00; A45F 5/021;
A45F 2200/0516; A45F 2200/0508; A45F
2200/0525

See application file for complete search history.

(56) **References Cited**

U.S. PATENT DOCUMENTS

D634,309 S * 3/2011 Bendien D14/239
D858,493 S * 9/2019 Pei D14/239
D888,027 S * 6/2020 Pei D14/239
D904,360 S * 12/2020 Pei D14/239
D912,022 S * 3/2021 Lyu D14/239
D914,660 S * 3/2021 Chen D14/239

D916,063 S * 4/2021 Lyu D14/239
D916,710 S * 4/2021 Jia D14/452
D928,753 S * 8/2021 Lyu D14/239
D931,708 S * 9/2021 Jorgensen D8/349
D933,671 S * 10/2021 Lyu D14/452
D934,209 S * 10/2021 Lyu D14/239
D935,871 S * 11/2021 Lu D8/363
D935,872 S * 11/2021 Chen D8/363
D936,044 S * 11/2021 Feng D14/239

(Continued)

Primary Examiner — Keli L Hill

Assistant Examiner — Harold E Blackwell, II

(74) *Attorney, Agent, or Firm* — Miller & Martin PLLC

(57) **CLAIM**

The ornamental design for the wall mount with arm extension support, as shown and described.

DESCRIPTION

FIG. 1 is a top front left perspective view of the wall mount with arm extension support fully extended;

FIG. 2 is a top rear left perspective view of the wall mount with arm extension support shown in FIG. 1;

FIG. 3 is a front plan view of the wall mount with arm extension support shown in FIG. 1;

FIG. 4 is a rear plan view of the wall mount with arm extension support shown in FIG. 1;

FIG. 5 is a left plan view of the wall mount with arm extension support shown in FIG. 1, the right plan view being a mirror image thereof;

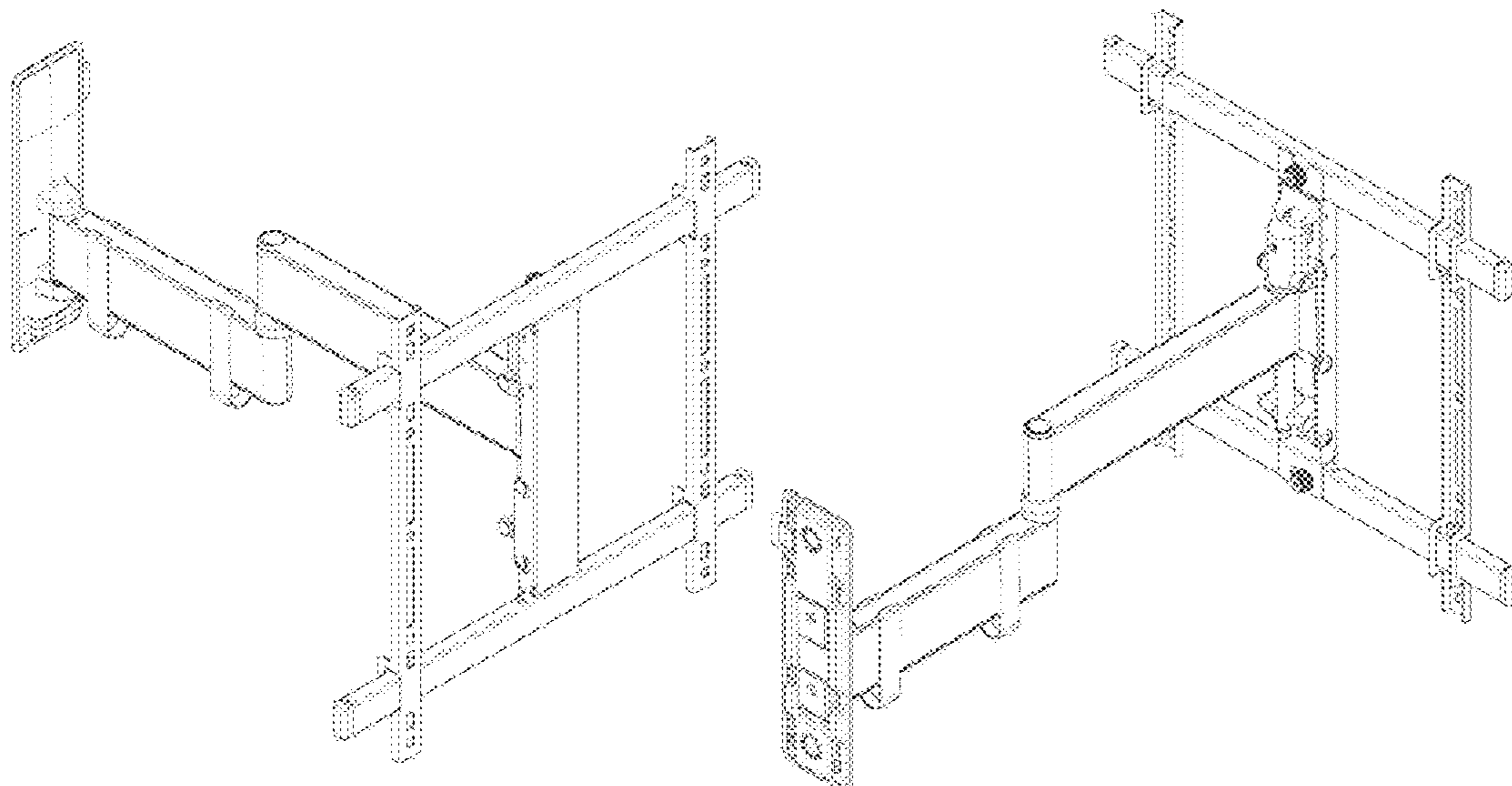
FIG. 6 is a front plan view of the wall mount with arm extension support shown in FIG. 1 with folded arm;

FIG. 7 is a rear plan view of the wall mount with arm extension support shown in FIG. 1 with folded arm;

FIG. 8 is a top front left perspective view of the wall mount with arm extension support shown in FIG. 1 with folded arm; and,

FIG. 9 is a left plan view of the wall mount with arm extension support shown in FIG. 1 with folded arm.

1 Claim, 9 Drawing Sheets



(56)

References Cited

U.S. PATENT DOCUMENTS

D937,281 S * 11/2021 Pei D14/452
2019/0390817 A1 * 12/2019 Pei F16M 11/10

* cited by examiner

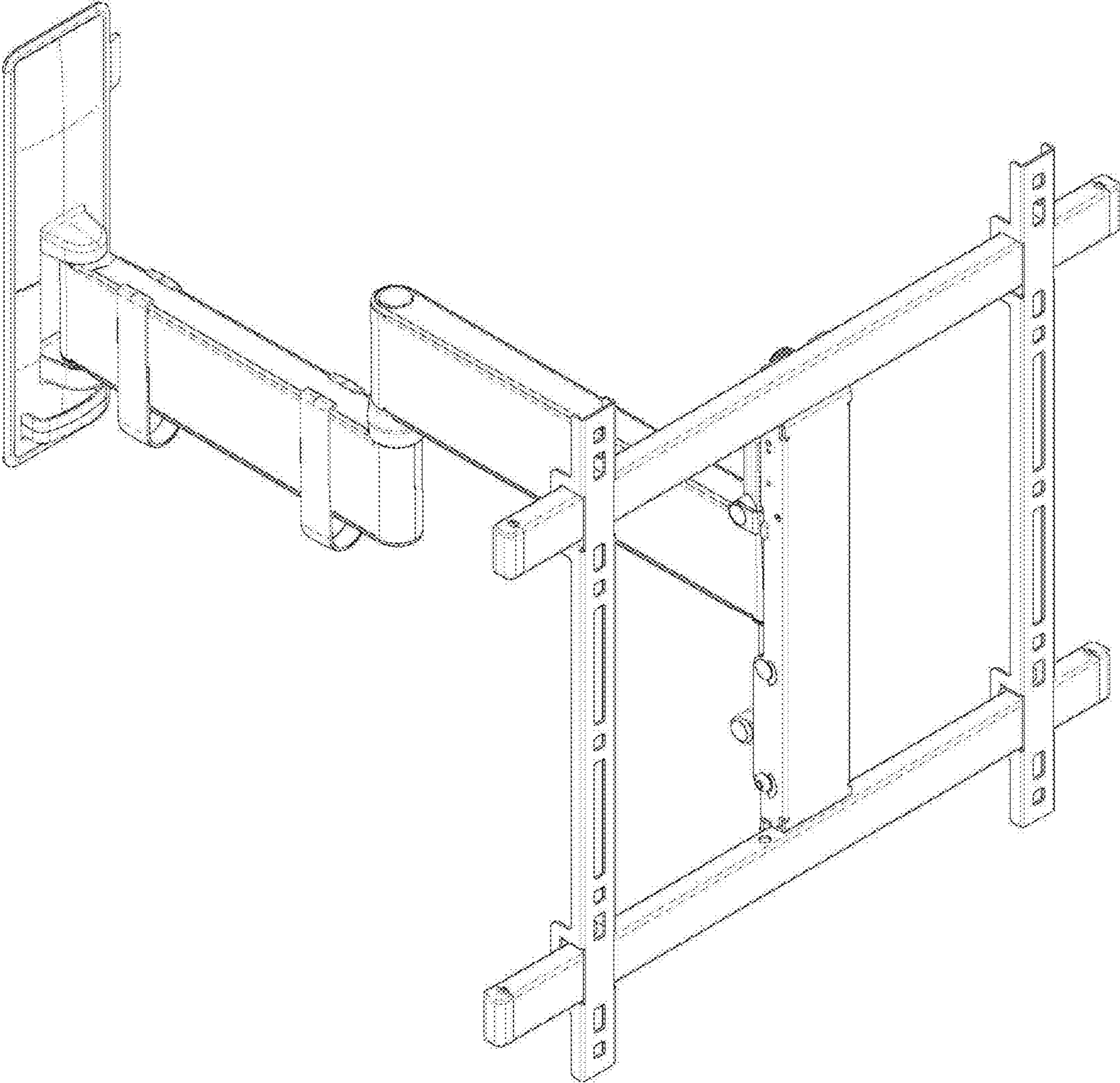


Fig. 1

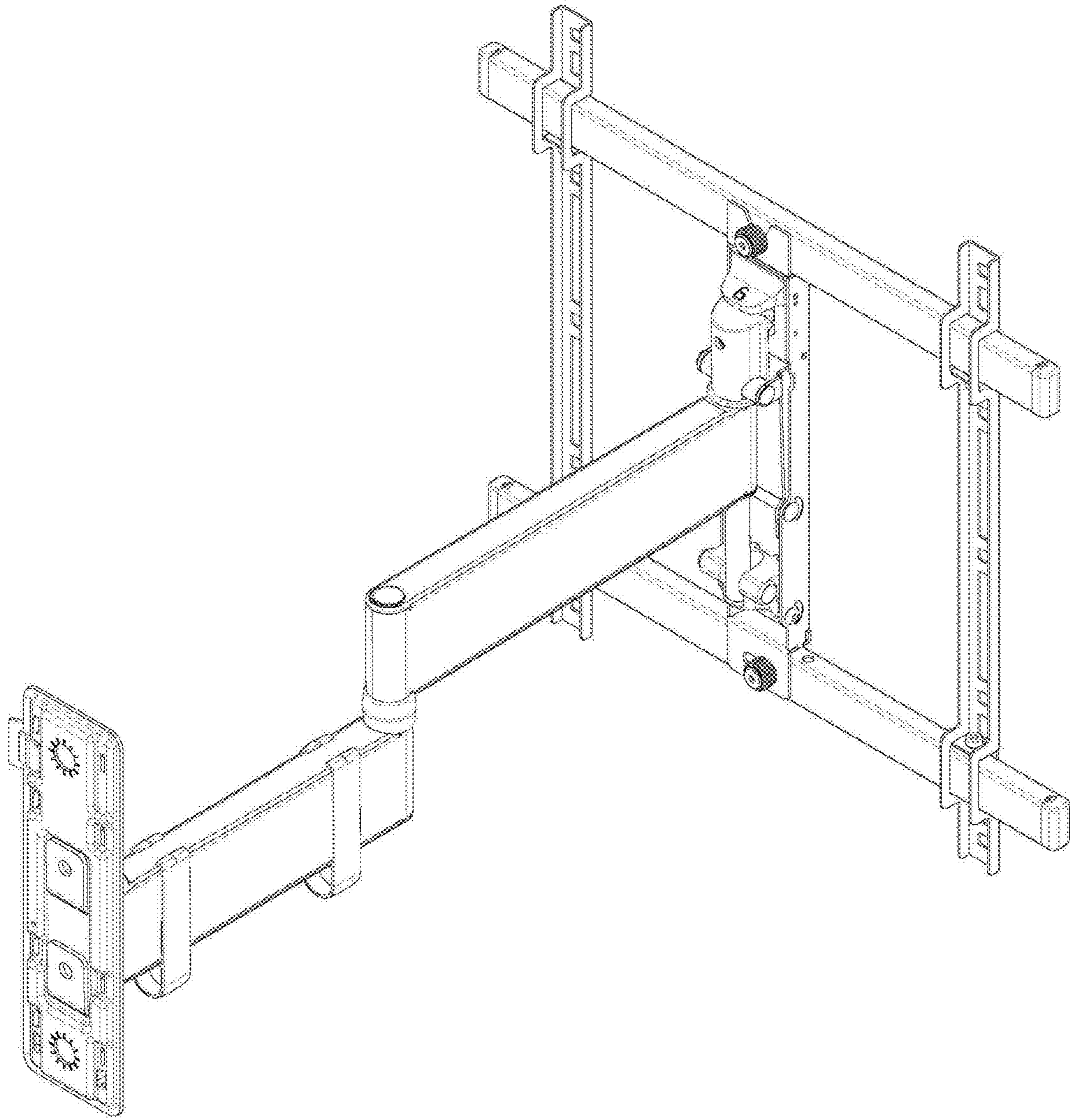


Fig. 2

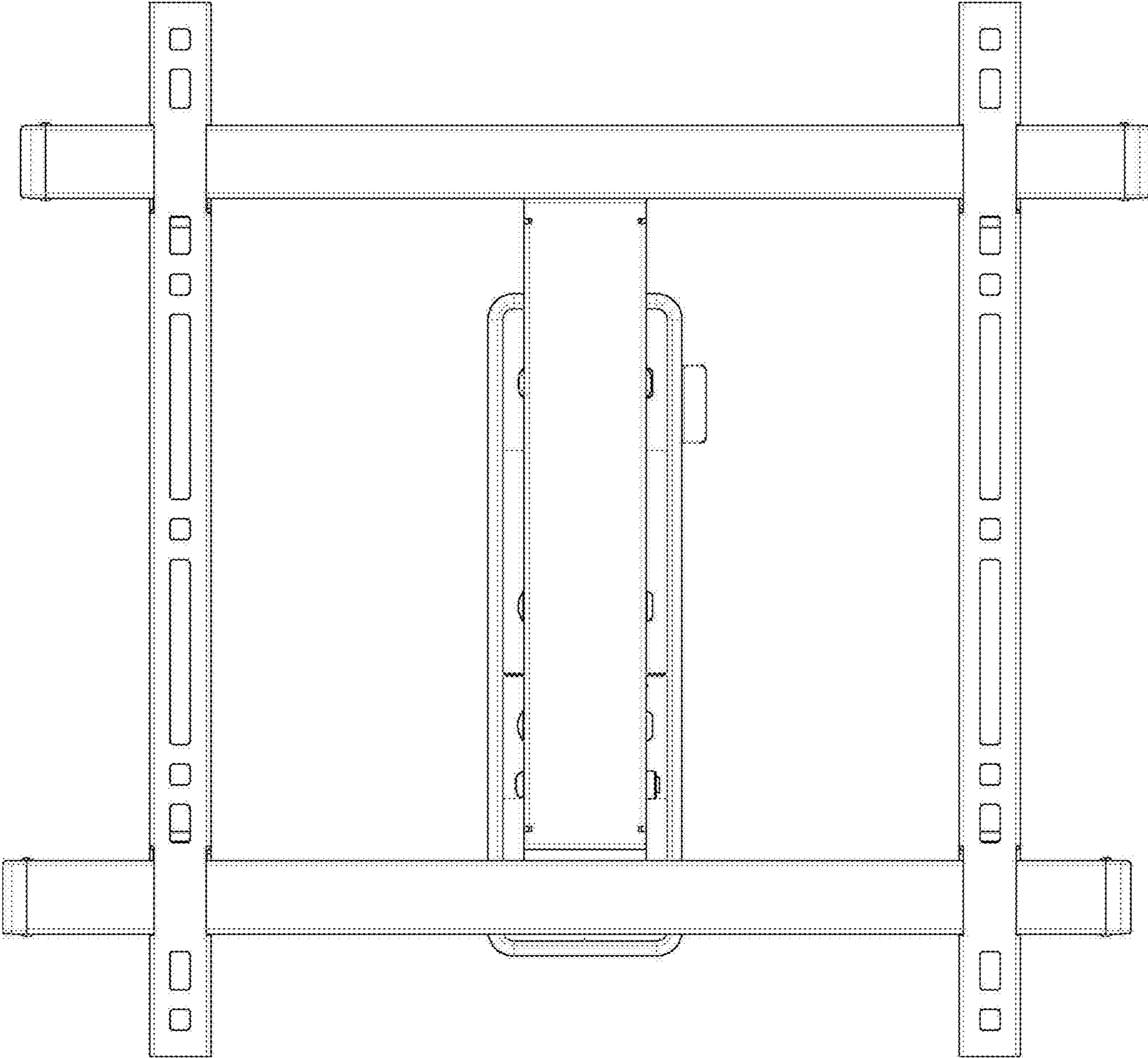


Fig. 3

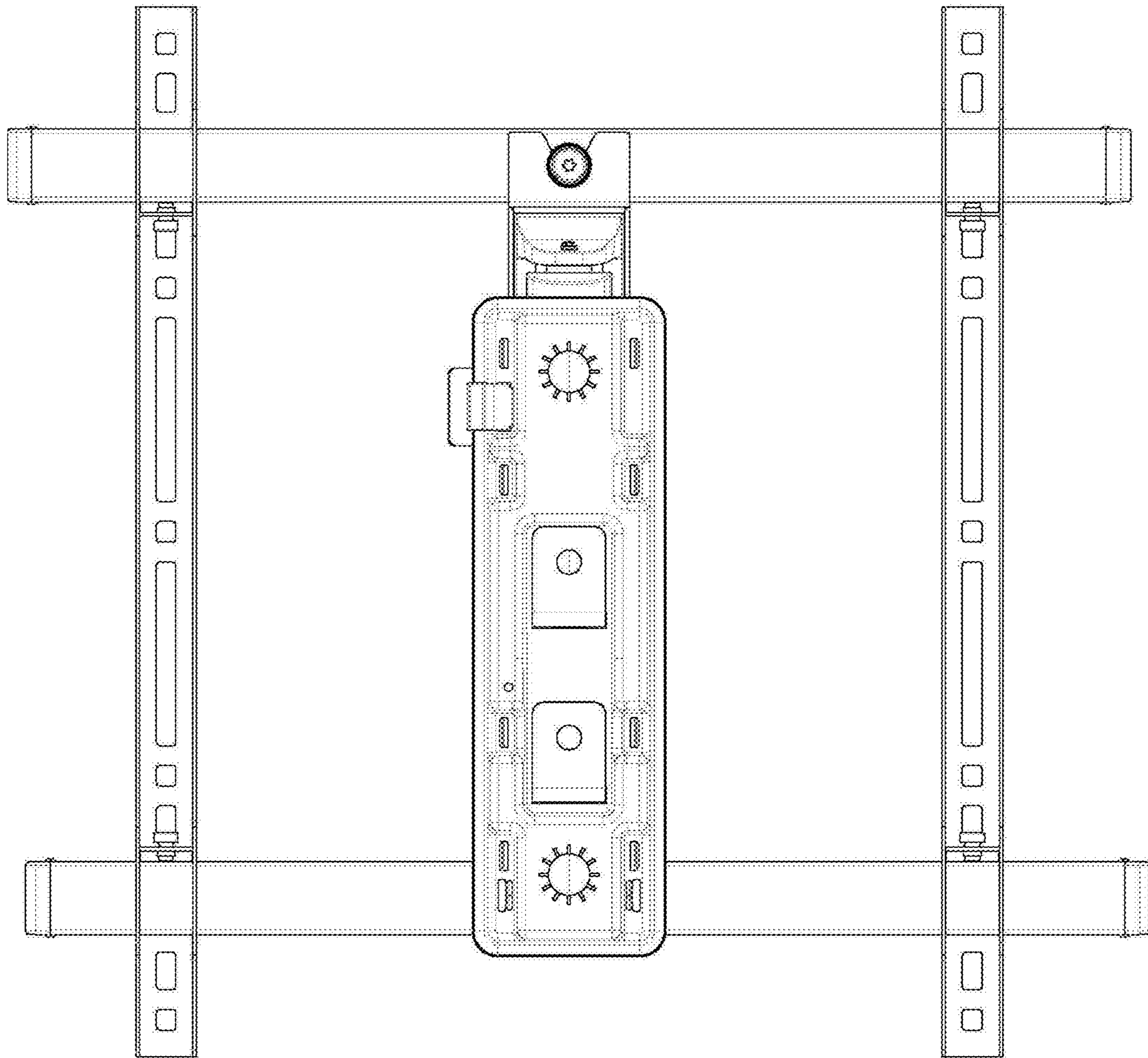


Fig. 4

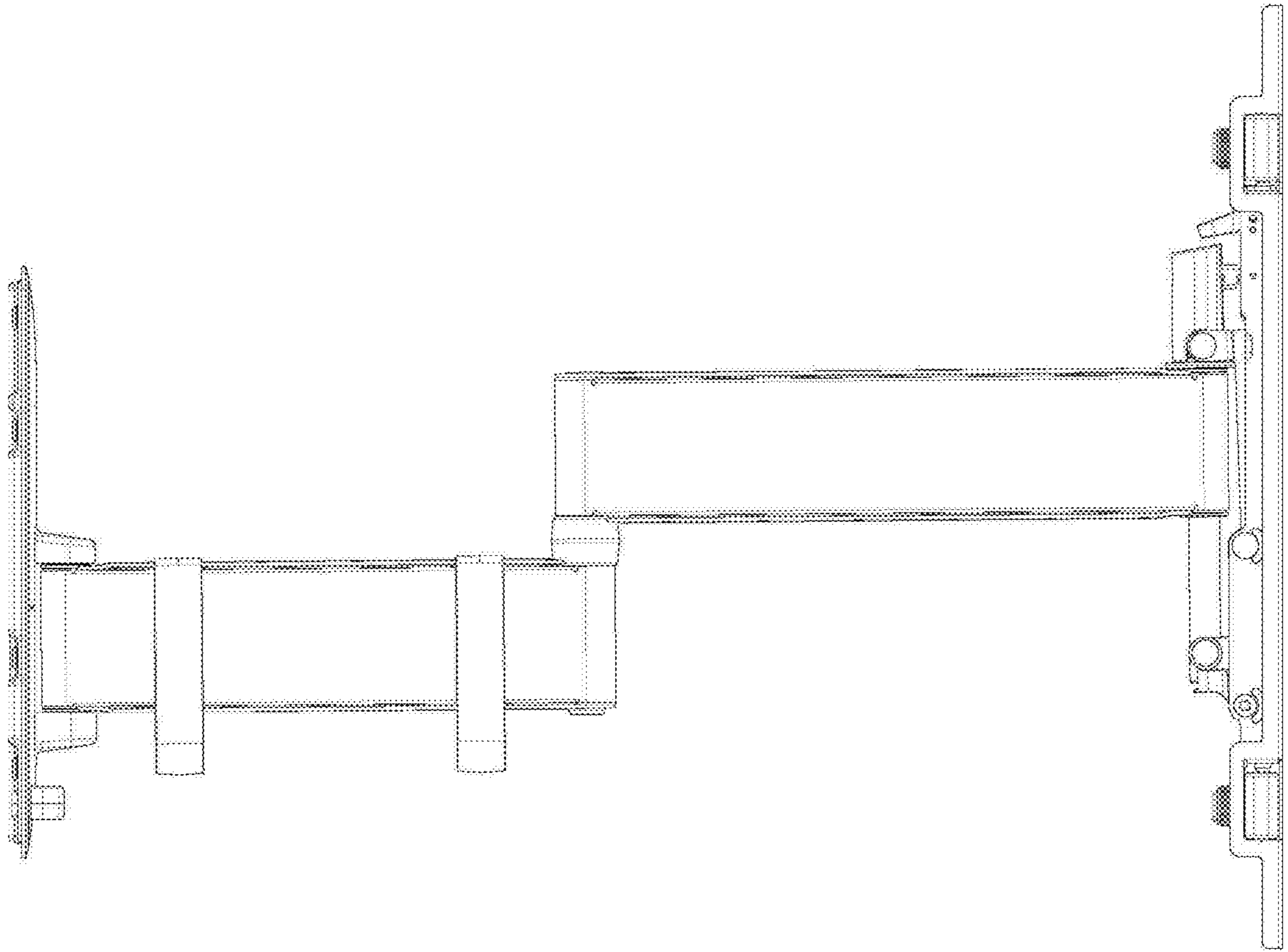


Fig. 5

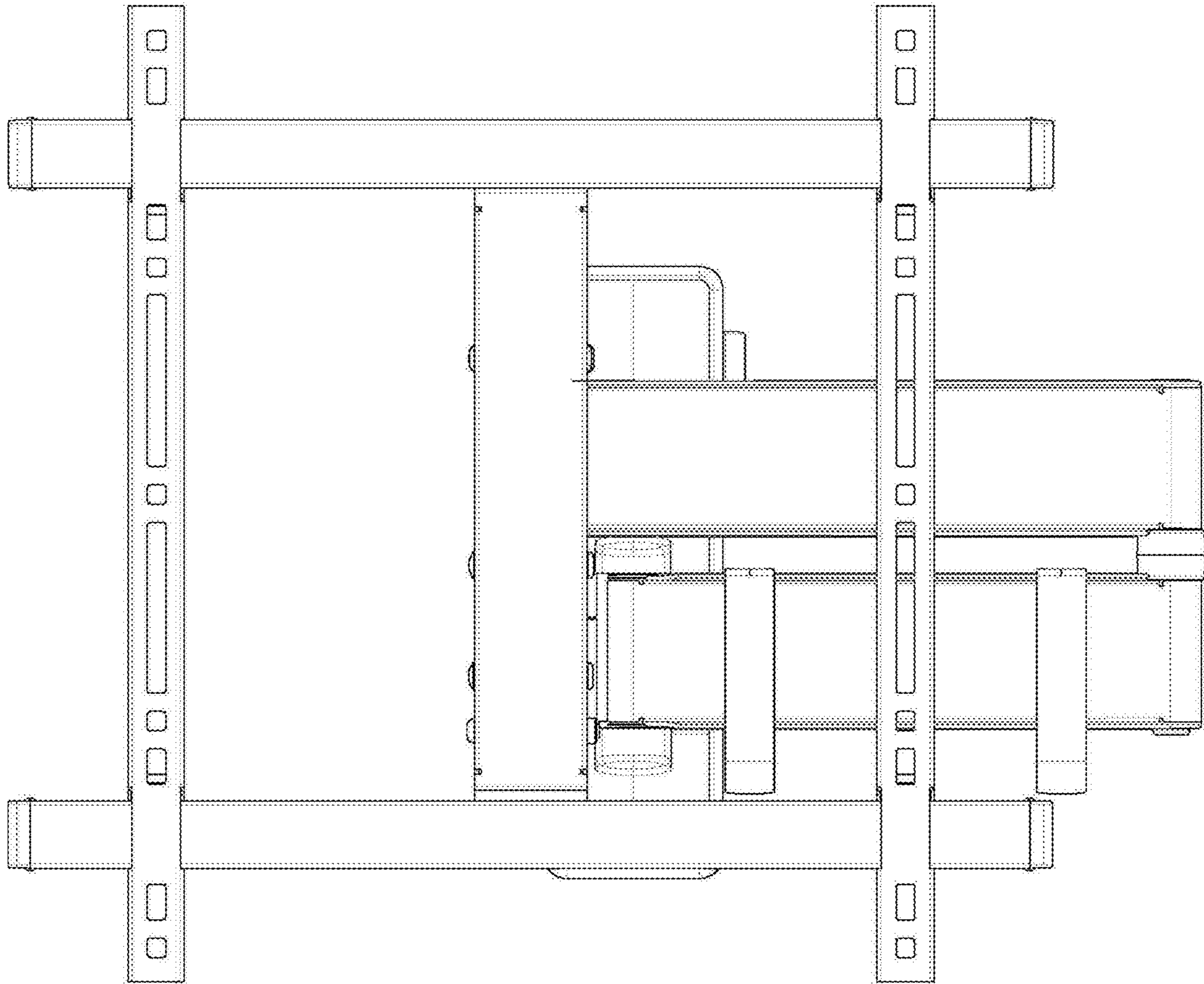


Fig. 6

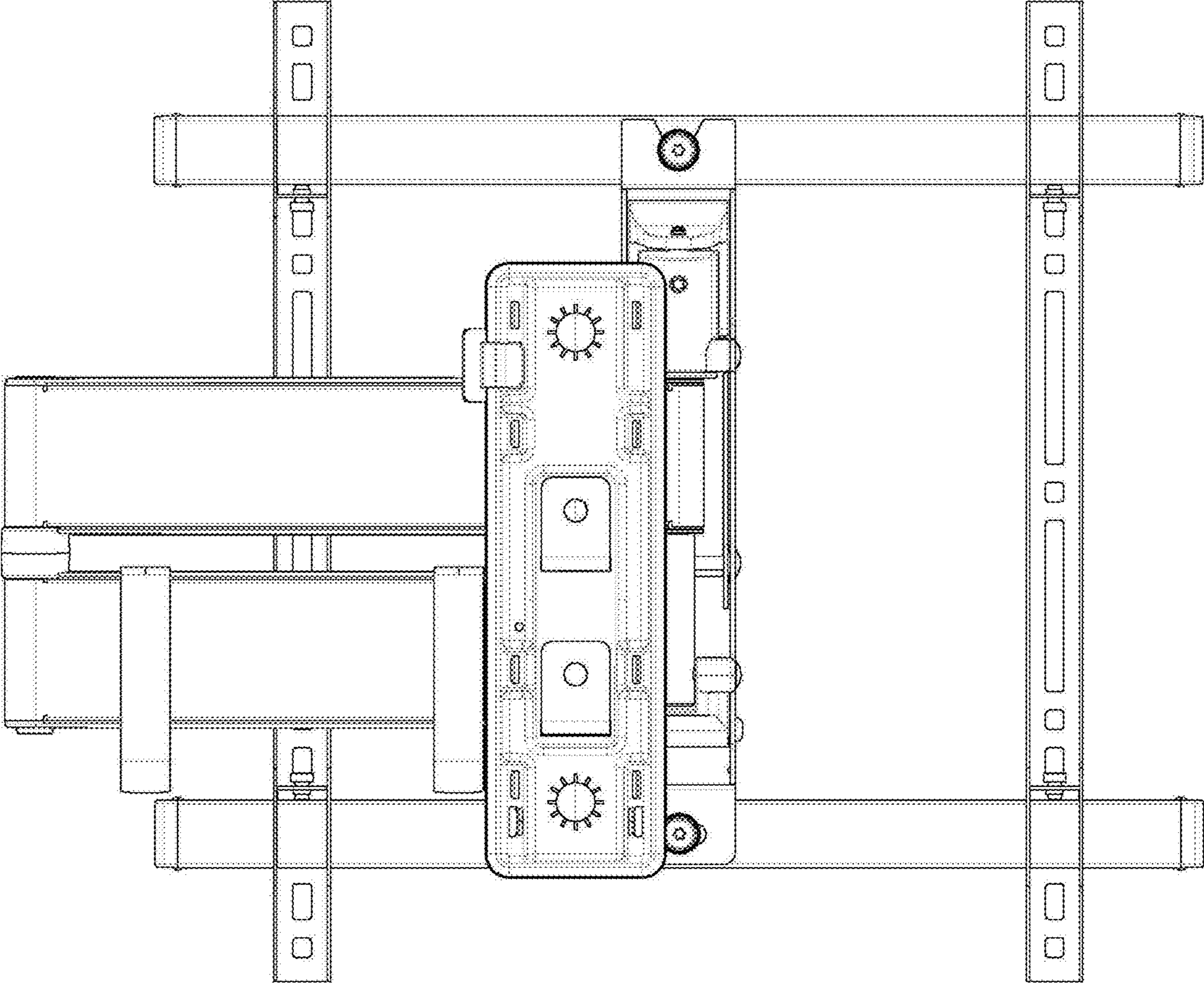


Fig. 7

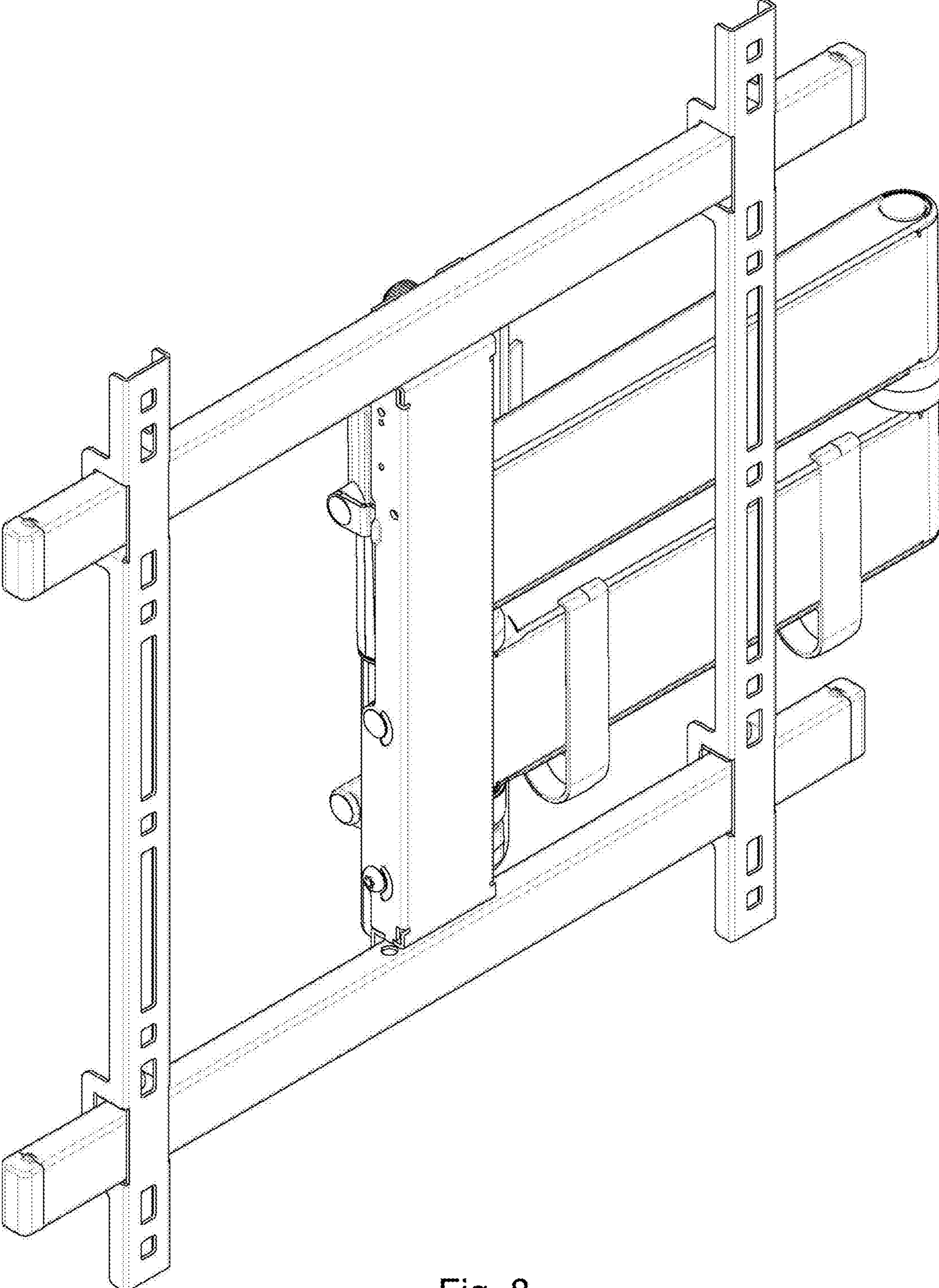


Fig. 8

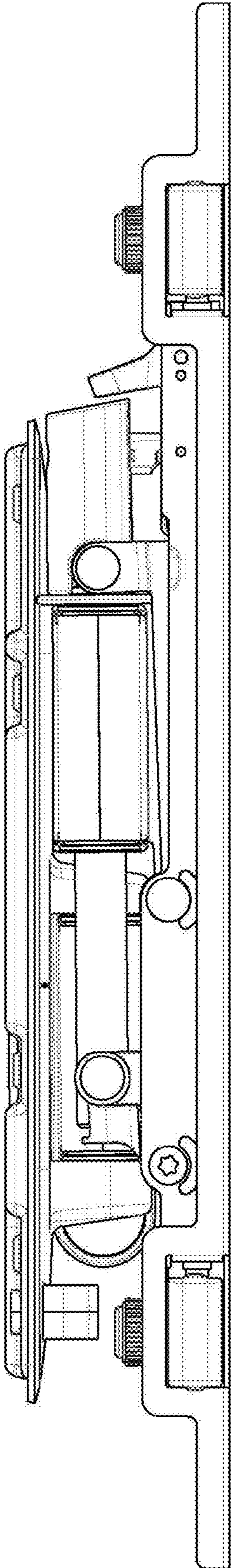


Fig. 9