



US00D948487S

(12) **United States Design Patent**
Flores-Cuadras

(10) **Patent No.:** **US D948,487 S**
(45) **Date of Patent:** **** Apr. 12, 2022**

(54) **5G NR ANTENNA**

(71) Applicant: **2J ANTENNAS USA,**
CORPORATION, Chandler, AZ (US)

(72) Inventor: **Javier Ruben Flores-Cuadras,**
Chandler, AZ (US)

(73) Assignee: **2J ANTENNAS USA,**
CORPORATION, Chandler, AZ (US)

(**) Term: **15 Years**

(21) Appl. No.: **29/751,116**

(22) Filed: **Sep. 18, 2020**

(51) **LOC (13) Cl.** **14-03**

(52) **U.S. Cl.**
USPC **D14/230**

(58) **Field of Classification Search**
USPC D14/220, 224, 230, 232, 233, 238
CPC H01Q 7/00; H01Q 13/10; H01Q 9/285;
H01Q 19/30; H01Q 19/12; H01Q 1/38;
H01Q 1/085; H01Q 1/084; H01Q 19/134;
H04B 1/0475; H04B 1/034; H05K 11/00
See application file for complete search history.

(56) **References Cited**

U.S. PATENT DOCUMENTS

D325,384 S *	4/1992	Cooper	D14/234
D371,560 S *	7/1996	Fenton	D14/230
D391,966 S *	3/1998	Mischenko	D14/230
D407,707 S *	4/1999	Jones	D14/230
D418,143 S *	12/1999	Thaw	D14/230
D542,283 S *	5/2007	Cislo	D14/230
D542,783 S *	5/2007	Cislo	D14/230
D696,231 S *	12/2013	Konishi	D14/230
8,779,996 B2 *	7/2014	Martek	H01Q 5/335 343/749
D718,896 S *	12/2014	Foley	D26/93
8,963,786 B2 *	2/2015	Kowalewicz	H01Q 11/08 343/713
D808,939 S *	1/2018	Tinaphong	D14/230

D809,491 S *	2/2018	Tinaphong	D14/230
D813,210 S *	3/2018	Benedetti	D14/230
D874,445 S *	2/2020	Petros	D14/230

(Continued)

FOREIGN PATENT DOCUMENTS

CN	302054306	*	8/2012
CN	303739259	*	7/2016

(Continued)

OTHER PUBLICATIONS

[2J3683M 5G NR Antenna], available at 2J Antennas, announced 2020 [online], [site visited Nov. 12, 2021], <https://www.2j-antennas.com/antennas/single-external-antennas/2j3683m-5gnr-4g-3g-2g-low-profile-sleek-design-magnetic-mount-whip-antenna/350> (Year: 2020).*

(Continued)

Primary Examiner — Daniel J Domino
Assistant Examiner — Samina Vieth
(74) *Attorney, Agent, or Firm* — CP Law Group PC; Cy Bates

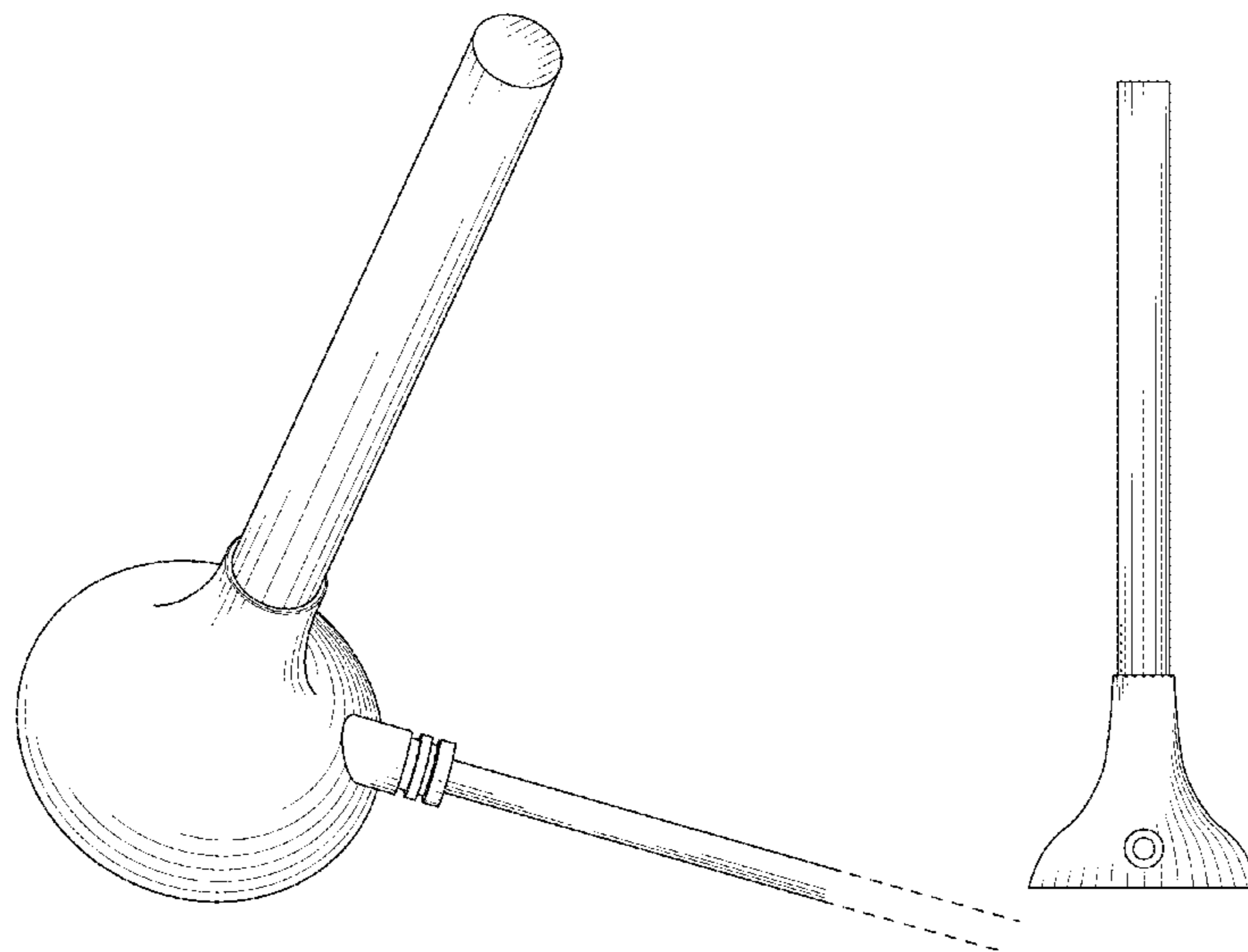
(57) **CLAIM**

I claim the ornamental design for a 5G NR antenna, as shown and described.

DESCRIPTION

FIG. 1 shows a perspective view of a 5G NR antenna; FIG. 2 shows a front plan view of the 5G NR antenna; FIG. 3 shows a rear plan view of the 5G NR antenna; FIG. 4 shows a right plan view of the 5G NR antenna; FIG. 5 shows a left plan view of the 5G NR antenna; FIG. 6 shows a top plan view of the 5G NR antenna; and, FIG. 7 shows a bottom plan view of the 5G NR antenna. That which is represented by broken lines illustrates environmental subject matter only and does not form part of the claimed invention.

1 Claim, 7 Drawing Sheets



(56)

References Cited

U.S. PATENT DOCUMENTS

D895,737 S * 9/2020 Russell D21/573
2015/0244067 A1 * 8/2015 Nakada H01Q 1/1214
343/713
2017/0350671 A1 * 12/2017 Larue F41A 29/02
2019/0356043 A1 * 11/2019 Kiss H01Q 1/40
2020/0328514 A1 * 10/2020 Pasko H01Q 1/3283

FOREIGN PATENT DOCUMENTS

CN 304321985 * 10/2017
EM 008259782-0001 * 11/2020
JP D1324382 * 3/2008
KR 300881380.0000 * 11/2016

OTHER PUBLICATIONS

[2J35224M Antenna], available at 2J Antennas, announced 2020 [online], [site visited Nov. 12, 2021], <https://www.2j-antennas.com/antennas/single-external-antennas/2j3524m-4g-lte-3g-2g-high-performance-antenna/394> (Year: 2020).*

[WeBoost 301126 Wilson Electronics 4-inch 4G Mini Magnet-Mount Antenna w/ SMA Male Connector], available at Amazon.com, date first available Nov. 30, 2009, [Nov. 17, 2021], https://www.amazon.com/weBoost-301126-Electronics-Magnet-Mount-Connector/dp/B003NPYON8/ref=sr_1_3?keywords=mini+magnet+mount+ (Year: 2009).*

* cited by examiner

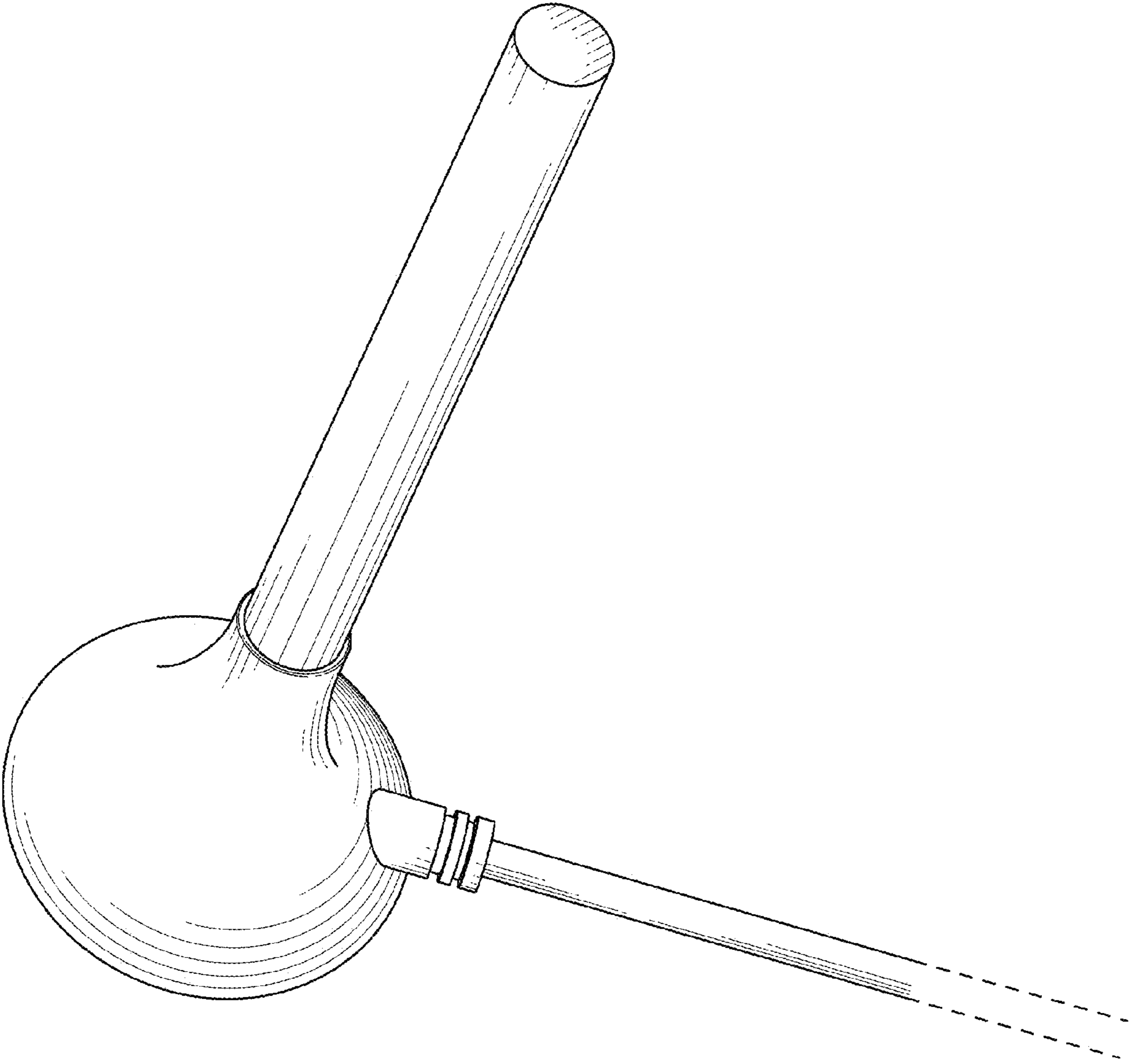


FIG. 1

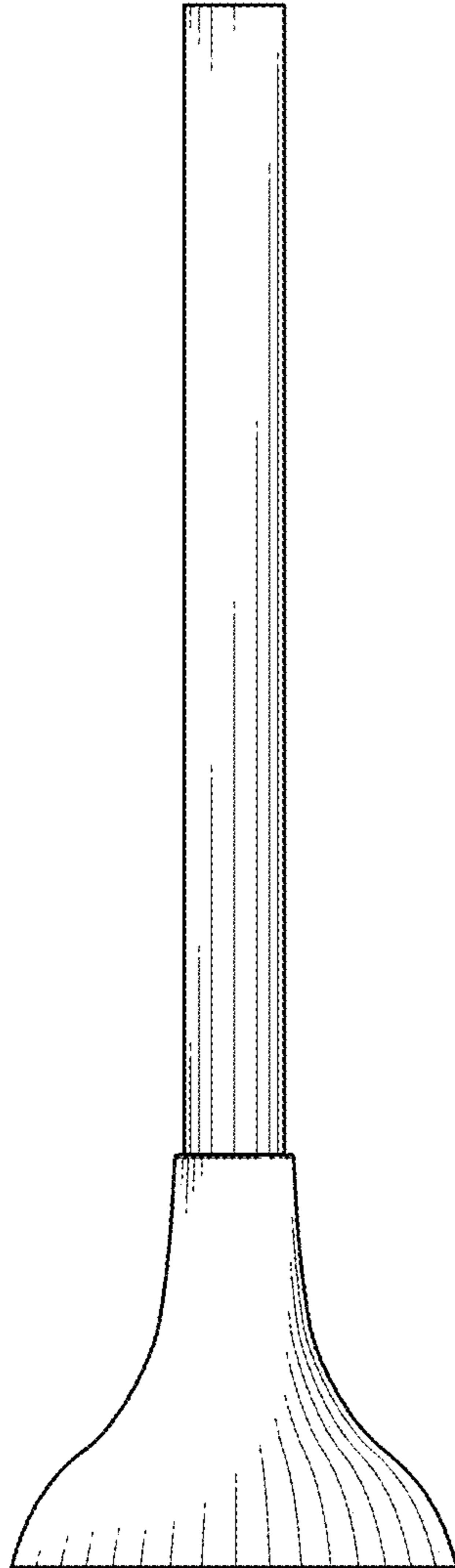


FIG. 2

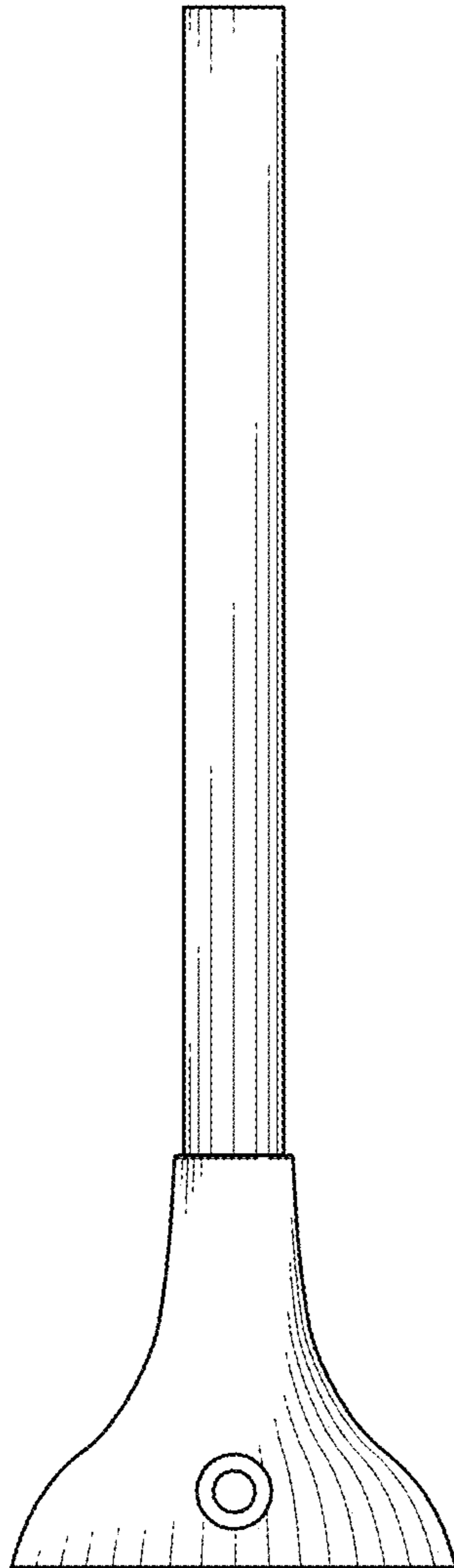


FIG. 3

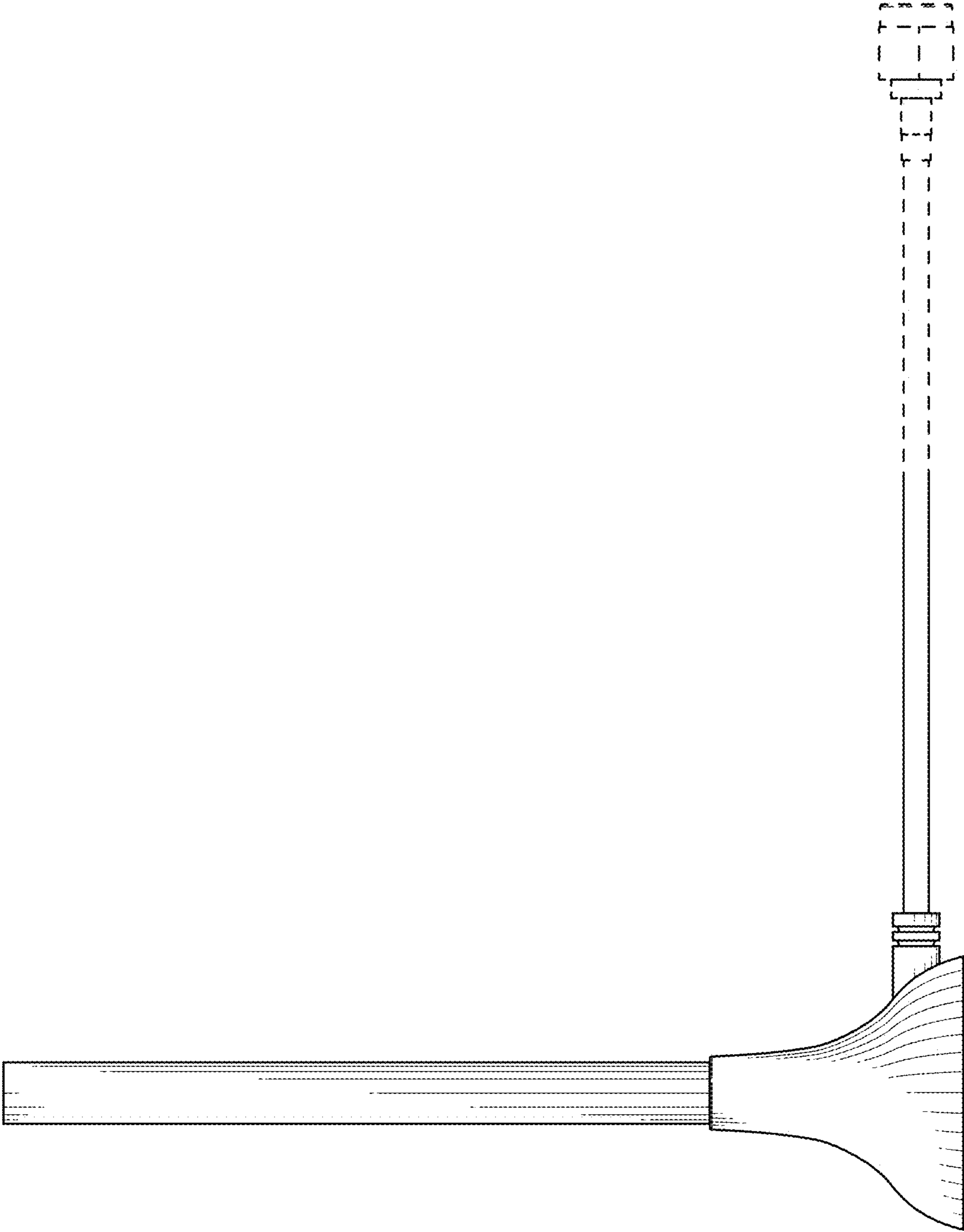


FIG. 4

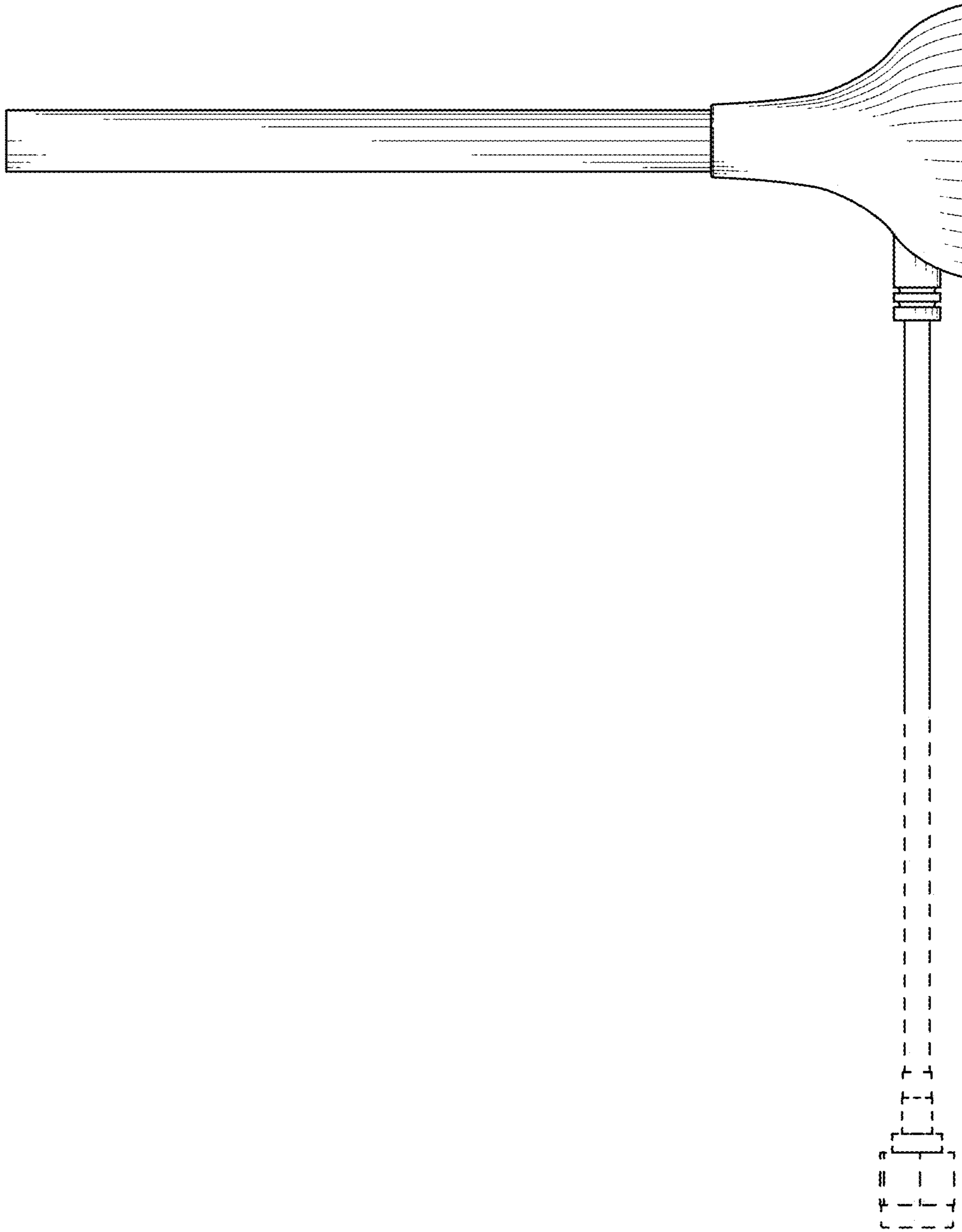


FIG. 5

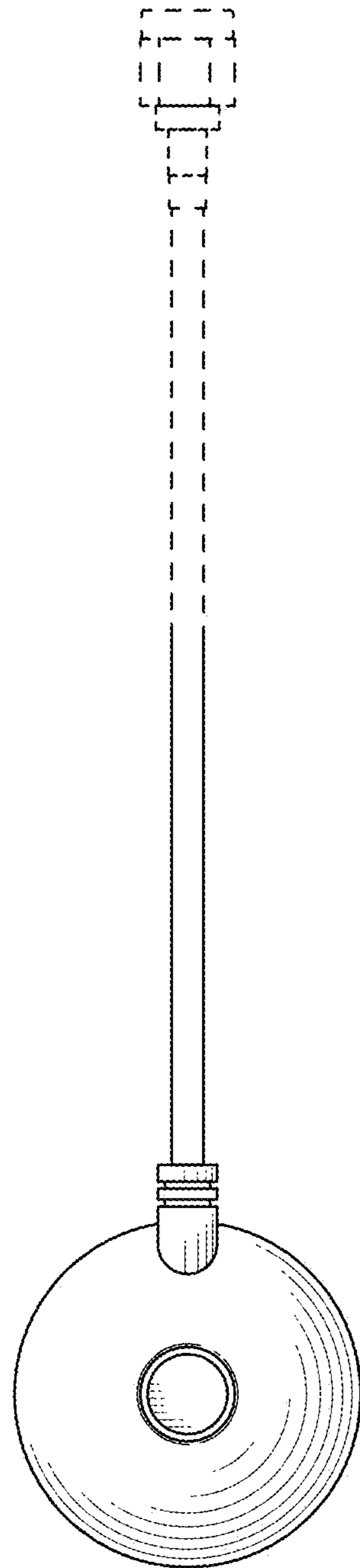


FIG. 6

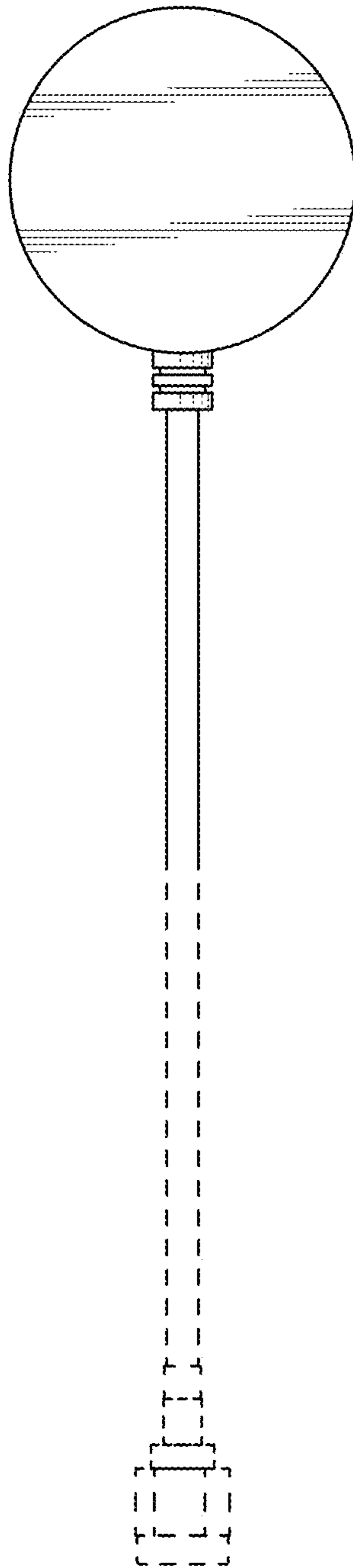


FIG. 7