



US00D948483S

(12) **United States Design Patent**  
**Yoneyama et al.**

(10) **Patent No.:** **US D948,483 S**  
(45) **Date of Patent:** **\*\* Apr. 12, 2022**

(54) **EARPHONE**

(71) Applicant: **Audio-Technica Corporation**, Tokyo (JP)

(72) Inventors: **Daisuke Yoneyama**, Kanagawa (JP); **Takashi Nara**, Kanagawa (JP); **Naoto Nakamura**, Stockholm (SE)

(73) Assignee: **Audio-Technica Corporation**, Tokyo (JP)

(\*\*) Term: **15 Years**

(21) Appl. No.: **29/742,162**

(22) Filed: **Mar. 4, 2020**

(30) **Foreign Application Priority Data**

Sep. 5, 2019 (JP) ..... 2019-019884

(51) **LOC (13) Cl.** ..... **14-01**

(52) **U.S. Cl.**  
USPC ..... **D14/223**

(58) **Field of Classification Search**  
USPC ... D14/205, 207, 217, 221, 223, 224, 224.1, D14/225, 216; D24/173, 174  
CPC ..... H04R 1/10; H04R 1/1016; H04R 1/1066; H04R 1/1033; H04R 1/08; H04R 5/033; H04R 5/0335; H04R 25/00  
See application file for complete search history.

(56) **References Cited**

**U.S. PATENT DOCUMENTS**

D733,103 S *	6/2015	Jeong	.....	D14/224
D806,879 S *	1/2018	Horbinski	.....	D24/174
D817,309 S *	5/2018	Czaniecki	.....	D14/223
D843,353 S *	3/2019	Zhang	.....	D14/223
D845,932 S *	4/2019	Lu	.....	D14/223
D846,532 S *	4/2019	Xiao	.....	D14/223

(Continued)

**FOREIGN PATENT DOCUMENTS**

CN 306092665 \* 10/2020  
CN 306401979 \* 3/2021

(Continued)

**OTHER PUBLICATIONS**

Audio-Technica takes its second swing at true wireless earbuds, announced Sep. 4, 2019 [online], retrieved May 19, 2021, retrieved from internet, <https://www.theverge.com/2019/9/4/20843210/audio-technica-ath-cks5tw-cks3tw-true-wireless-earbuds-battery-life-specs-feature-ifa-2019>.\*

(Continued)

*Primary Examiner* — Dana K Weiland

*Assistant Examiner* — Messina L Smith

(74) *Attorney, Agent, or Firm* — WC&F IP

(57) **CLAIM**

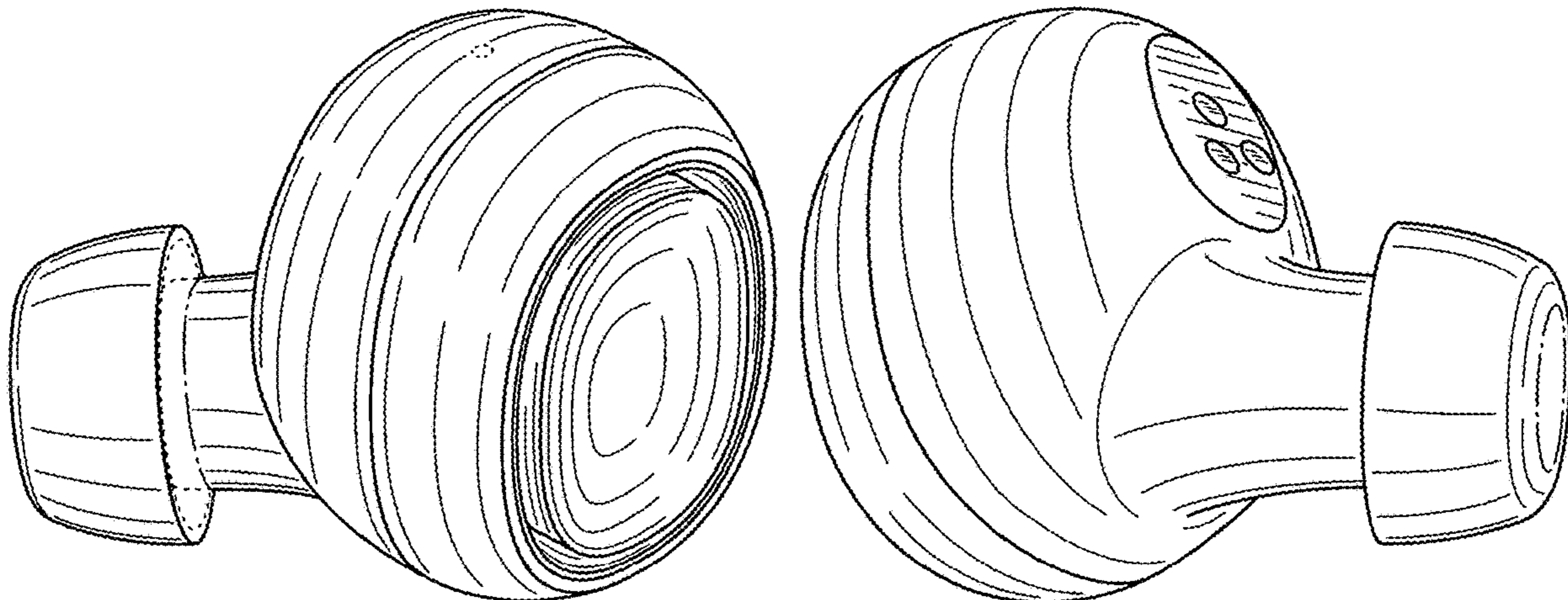
The ornamental design for an earphone, as shown and described.

**DESCRIPTION**

FIG. 1 is a front, top, left side perspective view of an earphone;  
FIG. 2 is a rear, bottom, right side perspective view of the earphone;  
FIG. 3 is a front elevational view of the earphone;  
FIG. 4 is a rear elevational view of the earphone;  
FIG. 5 is a top plan view of the earphone;  
FIG. 6 is a bottom plan view of the earphone;  
FIG. 7 is a right side elevational view of the earphone;  
FIG. 8 is a left side elevational view of the earphone; and,  
FIG. 9 is a cross sectional view of the earphone taken in the direction of line 9-9 of FIG. 3.

The dashed broken lines in the drawings depict portions of the earphone that form no part of the claimed design. The dot-dashed broken line defines the bounds of the claimed design and forms no part thereof.

**1 Claim, 9 Drawing Sheets**



(56)

References Cited

U.S. PATENT DOCUMENTS

D858,489 S \* 9/2019 Hu ..... D14/223  
 D883,262 S \* 5/2020 Wu ..... D14/223  
 D887,395 S \* 6/2020 Wang ..... D14/223  
 D889,441 S \* 7/2020 Lin ..... D14/223  
 D899,405 S \* 10/2020 Vaclavik ..... D14/223  
 D900,064 S \* 10/2020 Laffon de Mazieres .... D14/223  
 D902,182 S \* 11/2020 Wang ..... D14/223  
 D902,892 S \* 11/2020 Liu ..... D14/223  
 D903,638 S \* 12/2020 Li ..... D14/223  
 D904,349 S \* 12/2020 Saxton ..... D14/223  
 D906,292 S \* 12/2020 Wang ..... D14/223  
 D906,298 S \* 12/2020 Wang ..... D14/223  
 D908,667 S \* 1/2021 He ..... D14/223  
 D909,346 S \* 2/2021 Wang ..... D14/223  
 D912,016 S \* 3/2021 Ando ..... D14/223  
 D915,358 S \* 4/2021 Ma ..... D14/223  
 D917,425 S \* 4/2021 Wang ..... D14/223  
 D917,426 S \* 4/2021 Yang ..... D14/223  
 D917,428 S \* 4/2021 Khoi ..... D14/223  
 D918,873 S \* 5/2021 Deng ..... D14/223  
 2021/0099786 A1 \* 4/2021 Sasaki ..... H04R 1/1075

FOREIGN PATENT DOCUMENTS

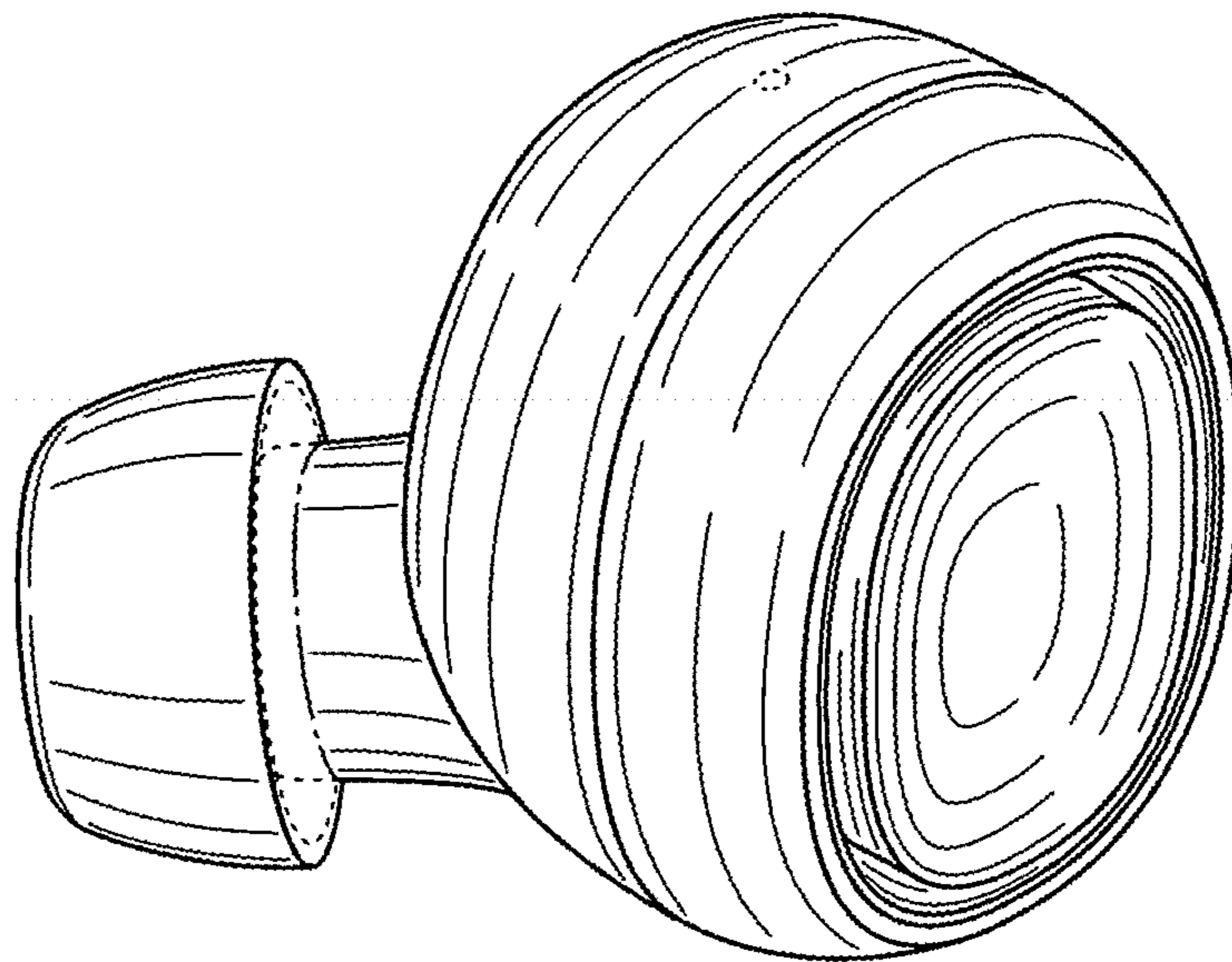
CN 306412412 \* 3/2021  
 CN 306521414 \* 5/2021

OTHER PUBLICATIONS

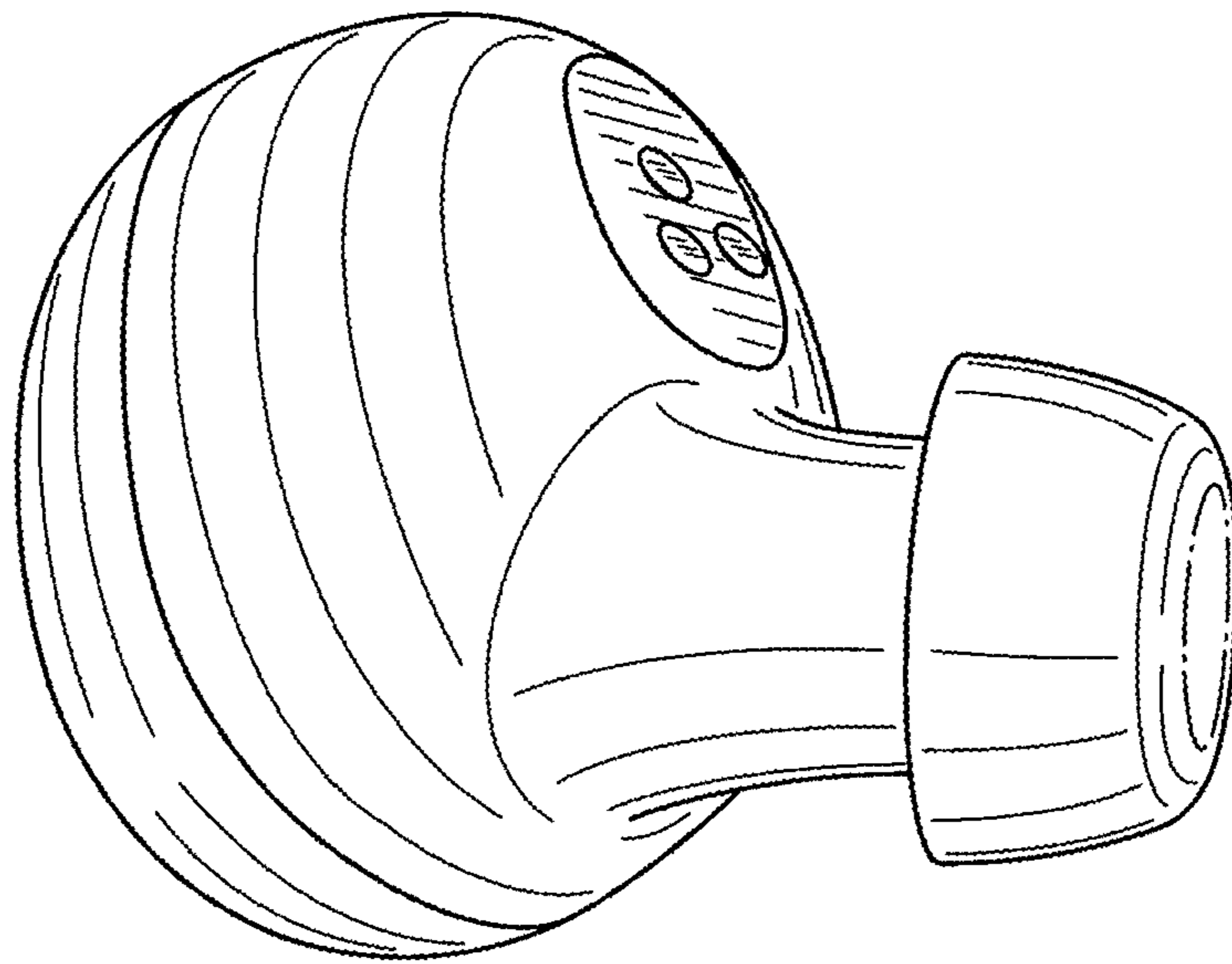
Audio-Technica Consumer ATH-CK3TW True Wireless In-Ear Headphones, announced Jan. 3, 2020 [online], retrieved May 19, 2021, retrieved from internet, [https://www.bhphotovideo.com/c/product/1518568-REG/audio\\_technica\\_consumer\\_ath\\_ck3twwh\\_athck3tw\\_wireless\\_in\\_ear\\_headphone.html/reviews](https://www.bhphotovideo.com/c/product/1518568-REG/audio_technica_consumer_ath_ck3twwh_athck3tw_wireless_in_ear_headphone.html/reviews).  
 See the Two Audio-Technica Wireless Earbuds On Display at IFA 2019, announced Sep. 6, 2019 [online], retrieved May 19, 2021, retrieved from internet, <https://techthelead.com/audio-technica-wireless-earbuds-ifa-2019/>.  
 Hands on: Audio-Technica ATH-SPORT7TW review, announced 2019 [online], retrieved May 19, 2021, retrieved from internet, <https://www.techradar.com/reviews/audio-technica-ath-sport7tw>.

\* cited by examiner

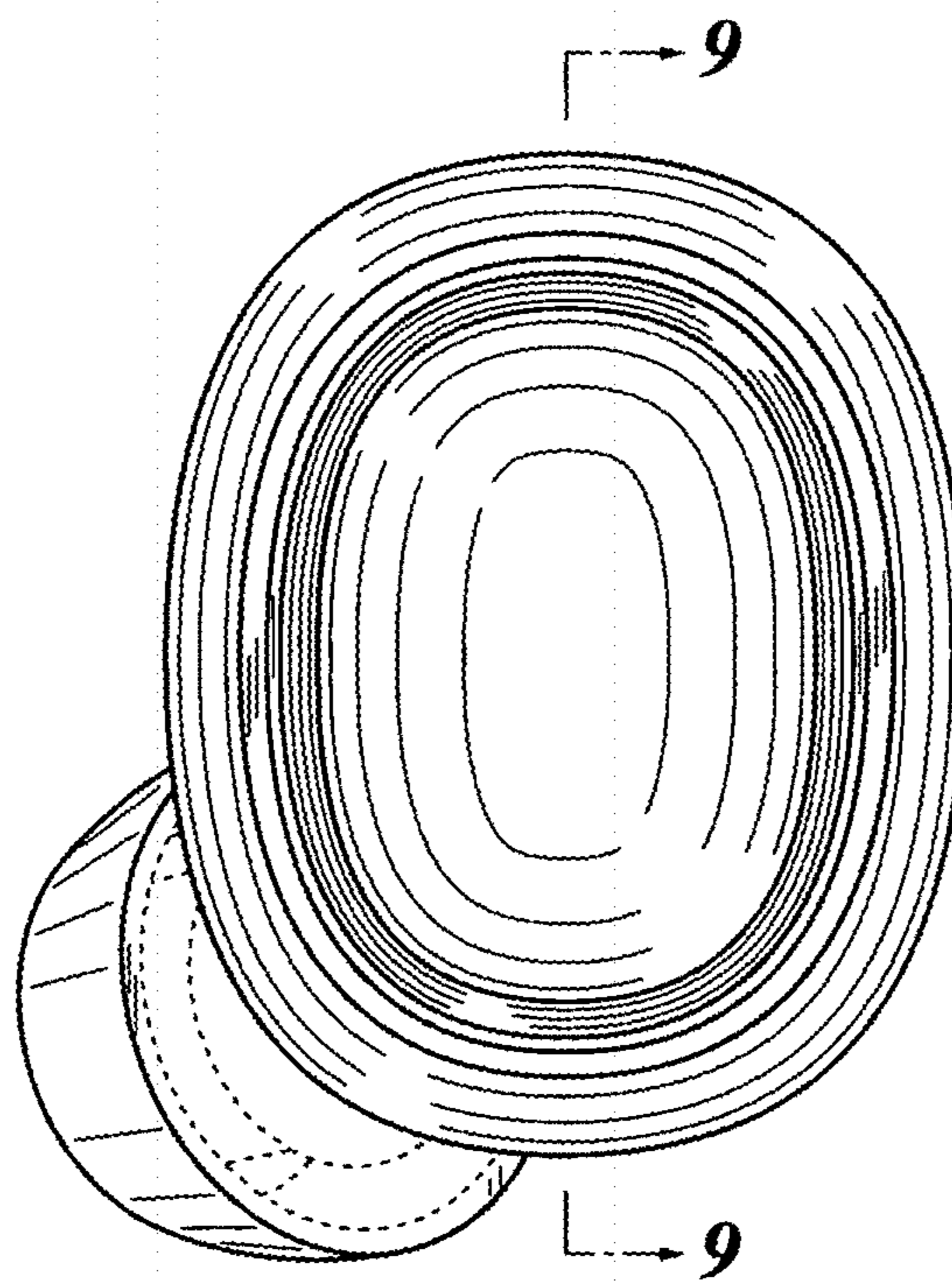
***FIG. 1***



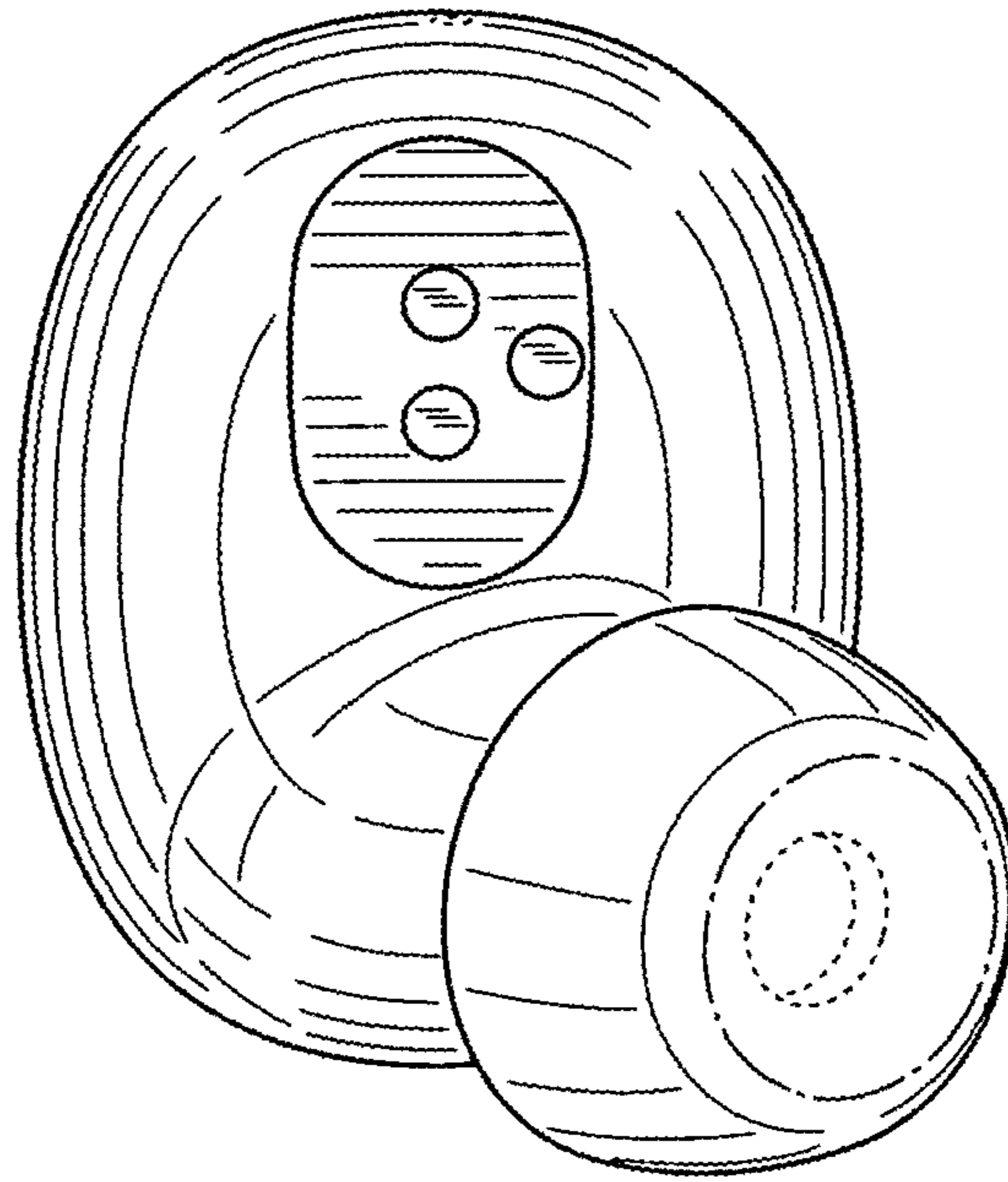
**FIG. 2**



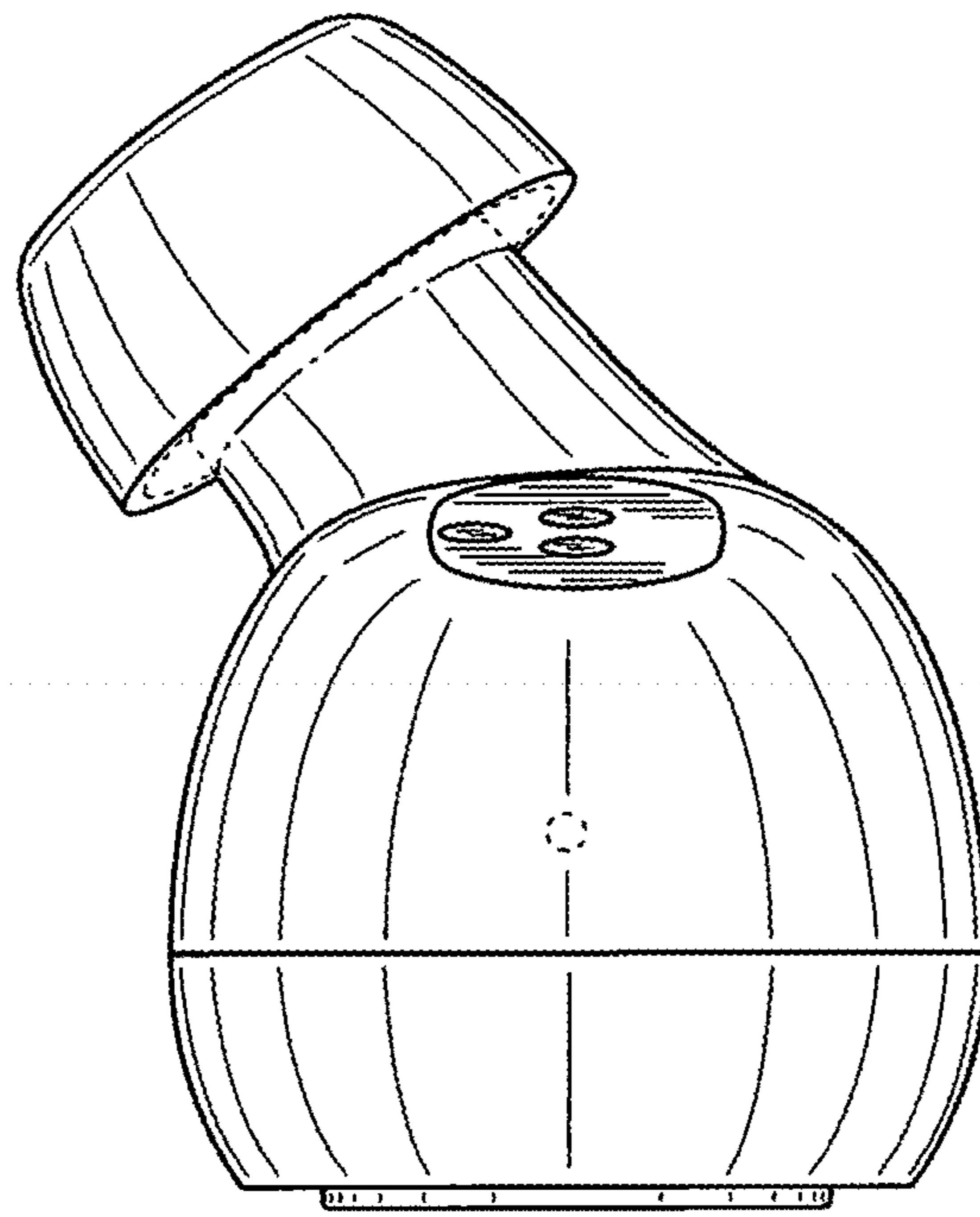
**FIG. 3**



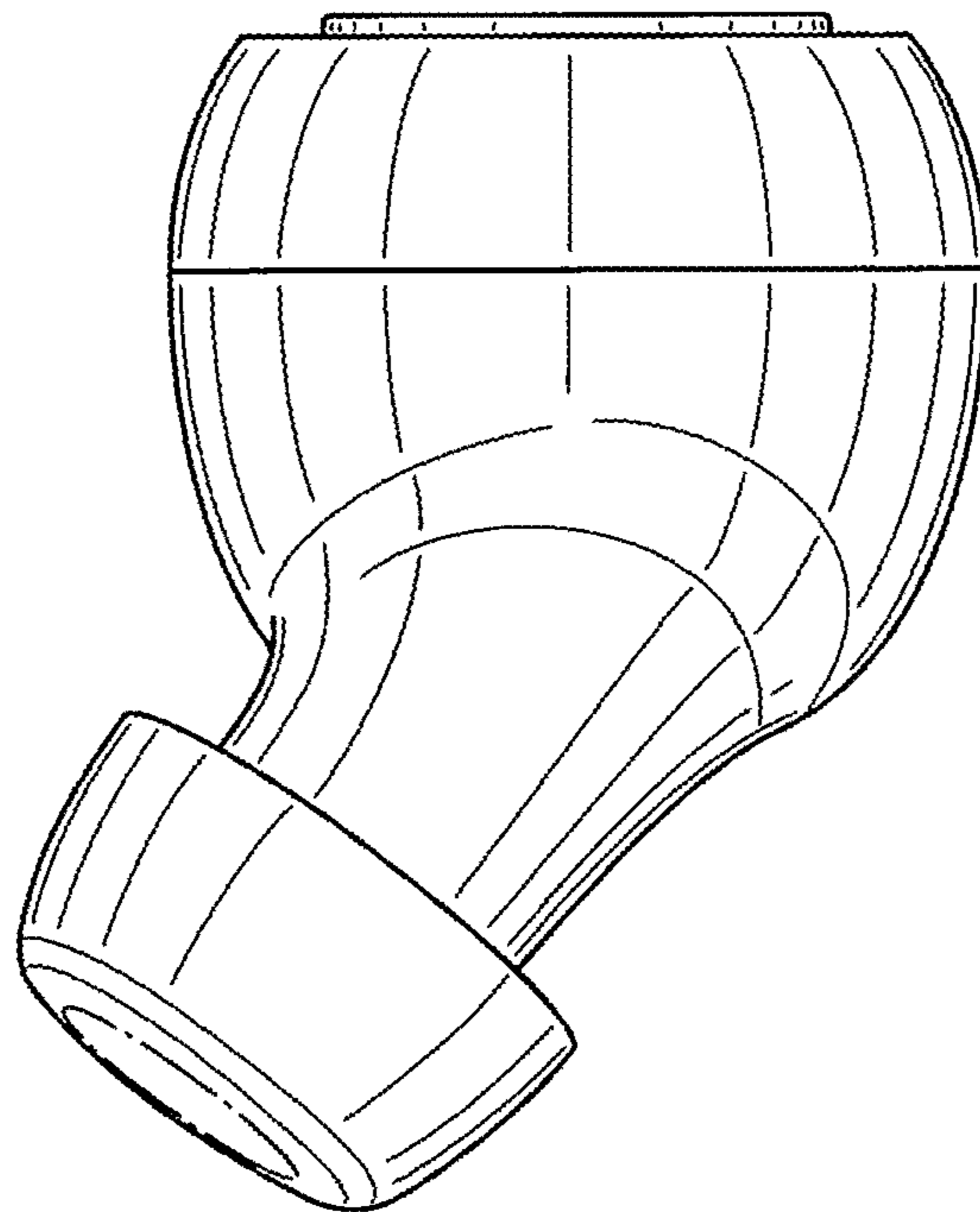
**FIG. 4**



**FIG. 5**

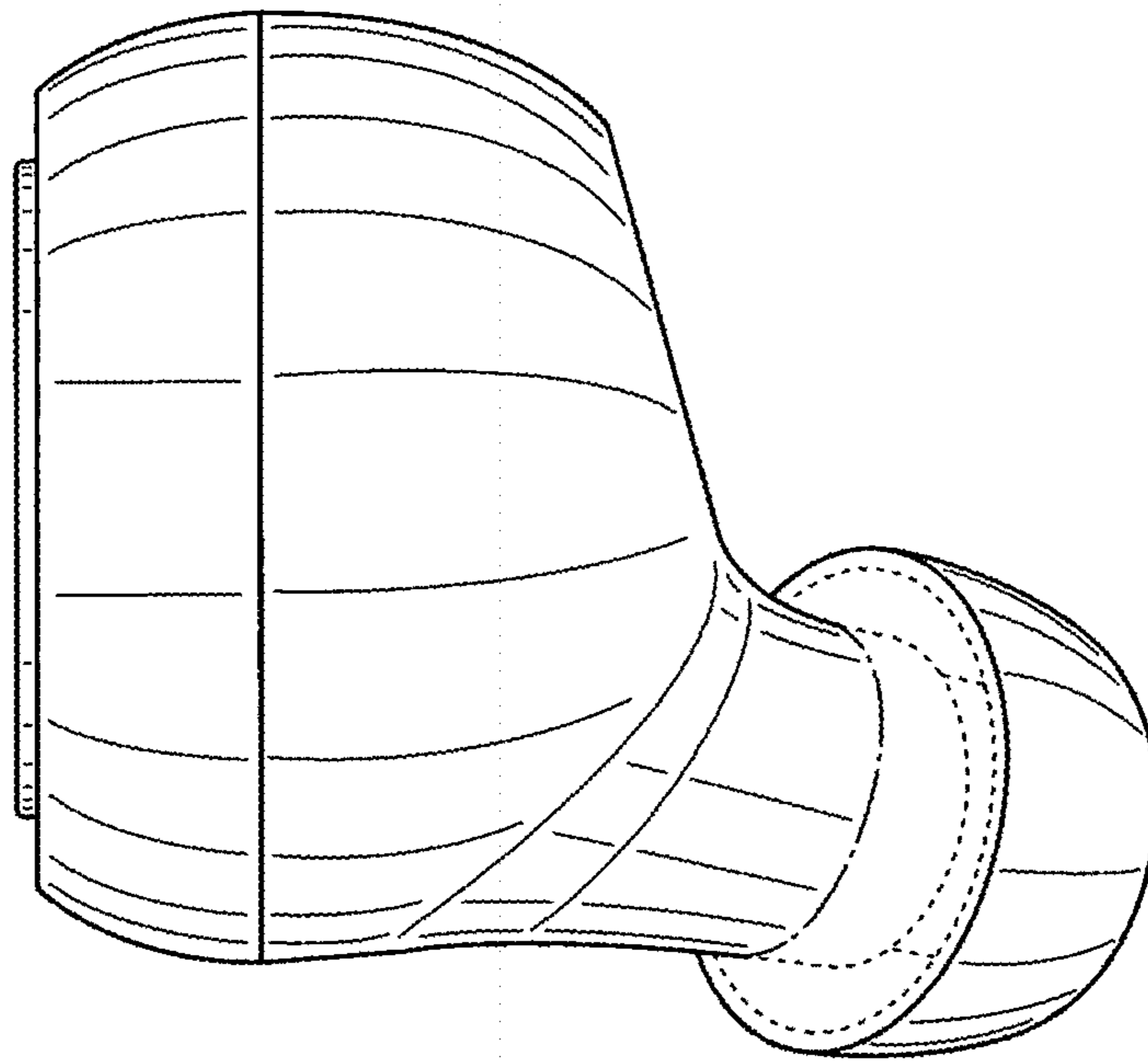


***FIG. 6***

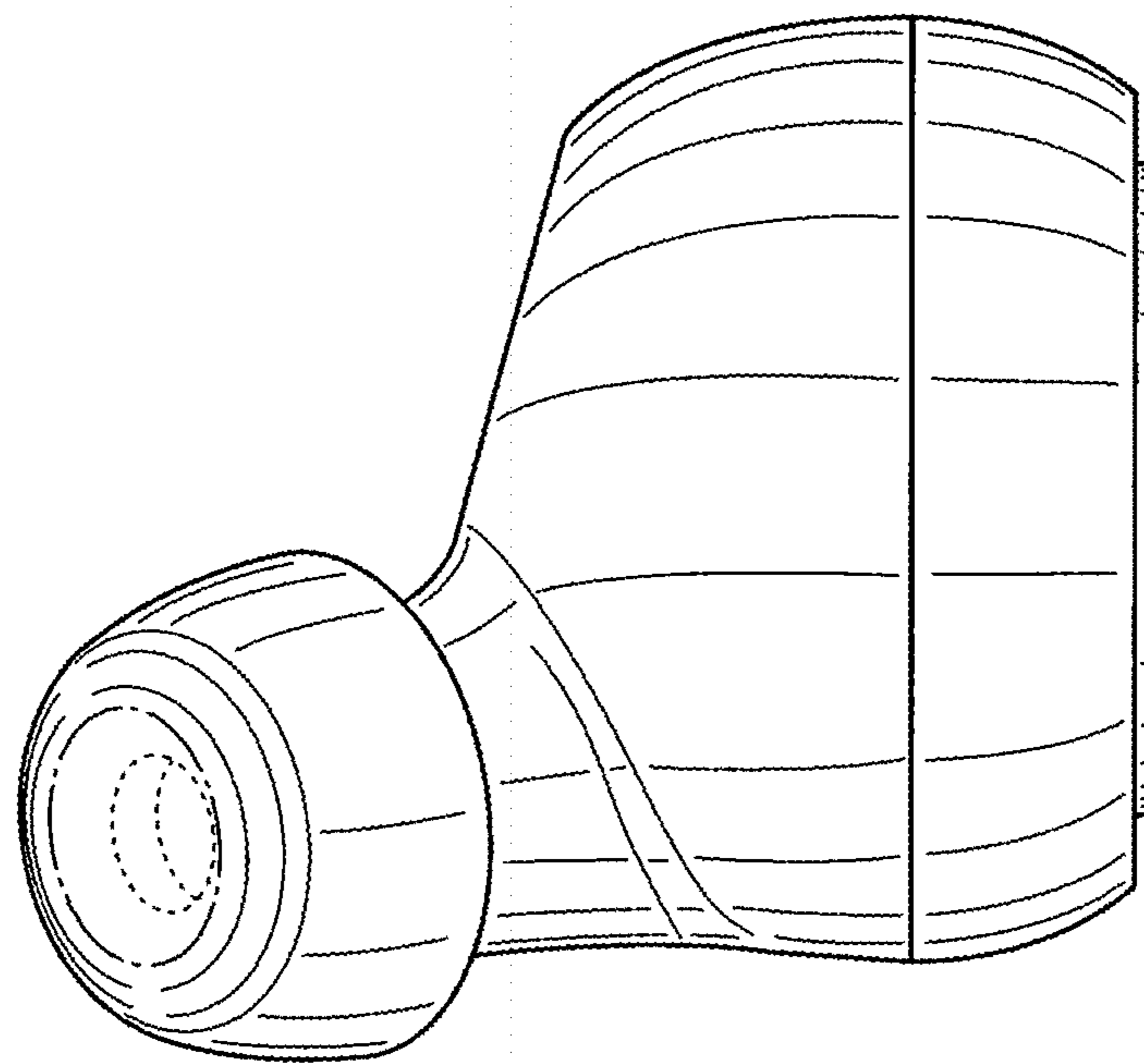




**FIG. 7**



**FIG. 8**



**FIG. 9**

