



US00D948481S

(12) **United States Design Patent**
Czaniecki

(10) **Patent No.:** **US D948,481 S**

(45) **Date of Patent:** **** Apr. 12, 2022**

(54) **HEADPHONE**

(71) Applicant: **Harman International Industries, Incorporated**, Northridge, CA (US)

(72) Inventor: **Rafal Mateusz Czaniecki**, Shenzhen (CN)

(73) Assignee: **Harman International Industries, Incorporated**, Northridge, CA (US)

(**) Term: **15 Years**

(21) Appl. No.: **29/719,419**

(22) Filed: **Jan. 3, 2020**

(51) **LOC (13) Cl.** **14-01**

(52) **U.S. Cl.**
USPC **D14/223**

(58) **Field of Classification Search**
USPC ... D14/205, 207, 217, 221, 223, 224, 224.1,
D14/225, 216; D24/173, 174
CPC H04R 1/10; H04R 1/1016; H04R 1/1066;
H04R 1/105; H04R 1/1033; H04R 1/08;
H04R 5/033; H04R 5/0335; H04R 25/00
See application file for complete search history.

(56) **References Cited**

U.S. PATENT DOCUMENTS

D618,218 S	6/2010	Burgett et al.
D618,219 S	6/2010	Burgett et al.
D673,530 S	1/2013	Feng et al.
D678,856 S	3/2013	Feng et al.
D678,857 S	3/2013	Feng et al.
D678,858 S	3/2013	Feng et al.
D678,868 S	3/2013	Feng et al.
D695,718 S	12/2013	Burgett et al.
D695,719 S	12/2013	Burgett et al.

(Continued)

FOREIGN PATENT DOCUMENTS

CN	306363380	*	3/2021
CN	306412463	*	3/2021

(Continued)

OTHER PUBLICATIONS

JBL announces two new truly wireless earbuds with Active Noise Cancellation for \$149, announced Sep. 2, 2020 [online], retrieved Jun. 3, 2021, retrieved from internet, <https://mspoweruser.com/jbl-truly-wireless-earbuds-anc/>.*

(Continued)

Primary Examiner — Dana K Weiland

Assistant Examiner — Messina L Smith

(74) *Attorney, Agent, or Firm* — Plumsea Law Group, LLC

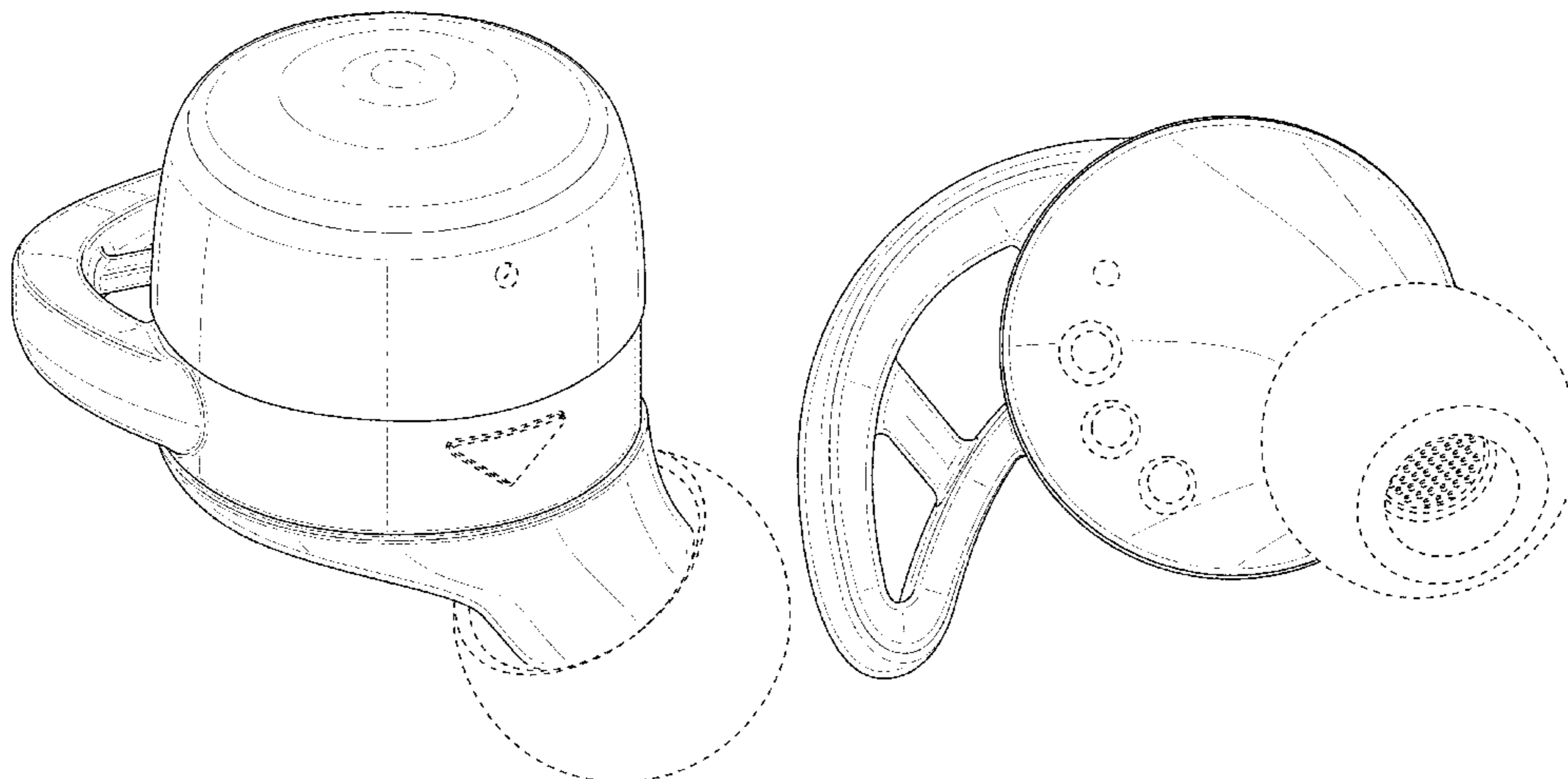
(57) **CLAIM**

The ornamental design for a headphone, as shown and described.

DESCRIPTION

FIG. 1 is a front perspective view of a headphone showing the new design in a first embodiment;
FIG. 2 is a front elevational view thereof;
FIG. 3 is a rear elevational view thereof;
FIG. 4 is a side elevational view thereof;
FIG. 5 is an opposite side elevational view thereof;
FIG. 6 is a top view thereof;
FIG. 7 is a bottom view thereof;
FIG. 8 is a perspective view of the headphone shown in a second embodiment, showing a mirror image of the headphone of FIGS. 1-7;
FIG. 9 is a front elevational view thereof;
FIG. 10 is a rear elevational view thereof;
FIG. 11 is a side elevational view thereof;
FIG. 12 is an opposite side elevational view thereof;
FIG. 13 is a top view thereof; and,
FIG. 14 is a bottom view thereof.
The broken lines in the figures depict portions of the headphone that form no part of the claimed design.

1 Claim, 14 Drawing Sheets



(56)

References Cited

U.S. PATENT DOCUMENTS

D696,230 S 12/2013 Burgett et al.
 D699,213 S 2/2014 Burgett et al.
 D700,905 S 3/2014 Pavitsich
 D710,326 S 8/2014 Burgett et al.
 D711,857 S 8/2014 Burgett et al.
 D713,385 S 9/2014 Burgett et al.
 D716,771 S 11/2014 Burgett et al.
 D725,081 S 3/2015 Burgett et al.
 D725,634 S 3/2015 Burgett et al.
 D725,635 S 3/2015 Burgett et al.
 D746,268 S 12/2015 Karayiannis et al.
 D764,445 S 8/2016 Czaniecki
 D769,220 S 10/2016 Burgett et al.
 D770,426 S 11/2016 LaBerge et al.
 D771,011 S 11/2016 Ott et al.
 D772,844 S 11/2016 Ott et al.
 D773,435 S 12/2016 Ott et al.
 D773,438 S 12/2016 Walker et al.
 D773,439 S 12/2016 Walker
 D796,485 S 9/2017 Sia et al.
 D800,703 S 10/2017 Vaclavik
 D803,816 S 11/2017 Bolster
 D806,059 S 12/2017 Ott et al.
 D806,685 S 1/2018 Park
 D806,686 S 1/2018 Ott et al.
 D810,724 S 2/2018 Czaniecki et al.
 D813,205 S * 3/2018 Palmborg D14/223
 D813,848 S * 3/2018 Palmborg D14/223
 D817,309 S 5/2018 Czaniecki et al.
 D821,362 S 6/2018 Vaclavik
 D824,359 S 7/2018 Czaniecki
 D824,875 S 8/2018 Czaniecki
 D828,826 S * 9/2018 Schaal D14/223
 D833,420 S 11/2018 Lindenberger
 D845,932 S 4/2019 Lu
 D847,779 S * 5/2019 Williamson D14/205
 D850,407 S * 6/2019 Li D14/205
 D853,351 S 7/2019 Ott et al.
 D862,412 S 10/2019 Yook
 D862,422 S 10/2019 Lindenberger
 D863,261 S * 10/2019 Zhu D14/223
 D868,729 S 12/2019 Czaniecki
 D868,752 S * 12/2019 Zhu D14/223
 D869,431 S 12/2019 Czaniecki
 D870,708 S 12/2019 Lindenberger
 D870,709 S 12/2019 Meyer
 D870,711 S 12/2019 Karayiannis et al.
 D871,374 S 12/2019 Karayiannis et al.
 D871,375 S 12/2019 Meyer
 D871,376 S * 12/2019 Zhou D14/223
 D873,248 S * 1/2020 Weicheng D14/223
 D876,398 S * 2/2020 Cai D14/223
 D877,721 S * 3/2020 Jung D14/223
 D880,457 S * 4/2020 Zhu D14/223
 D883,262 S * 5/2020 Wu D14/223
 D892,085 S * 8/2020 Kim D14/223
 D894,158 S * 8/2020 Gu D14/223
 D895,580 S * 9/2020 Yu D14/223
 D896,205 S * 9/2020 Zhang D14/223
 D897,995 S * 10/2020 Duddy D14/223
 D900,064 S * 10/2020 Laffon de Mazieres D14/223
 D902,182 S * 11/2020 Wang D14/223
 D902,890 S * 11/2020 Williamson D14/223
 D903,638 S * 12/2020 Li D14/223
 D904,349 S * 12/2020 Saxton D14/223
 D906,293 S * 12/2020 Williamson D14/223
 D906,298 S * 12/2020 Wang D14/223
 D909,346 S * 2/2021 Wang D14/223
 D909,995 S * 2/2021 Cai D14/223
 D910,602 S * 2/2021 Feng D14/223
 D914,650 S * 3/2021 Hu D14/223
 D916,054 S * 4/2021 Sretovic D14/223
 D917,426 S * 4/2021 Yang D14/223
 2014/0064548 A1 * 3/2014 Chu H04R 1/1091

2016/0261946 A1 * 9/2016 Chen H04R 1/1091
 2017/0264991 A1 * 9/2017 Horst H02J 7/0045
 2018/0376237 A1 * 12/2018 Schlesinger H04R 1/1083
 2019/0014403 A1 * 1/2019 Lee H04R 1/1016
 2019/0231197 A1 * 8/2019 Kirszenblat H04R 1/1016
 2019/0239772 A1 * 8/2019 Grace H04R 3/04
 2020/0037058 A1 * 1/2020 Ueda G06F 3/017
 2021/0044885 A1 * 2/2021 Fukahori G06F 3/044

FOREIGN PATENT DOCUMENTS

EM 008028526-0010 * 7/2020
 KR 300998681.0000 * 3/2019
 RU 00112427 * 12/2018

OTHER PUBLICATIONS

JBL Under Armour FLASH, announced Mar. 26, 2019 [online], retrieved Jun. 3, 2021, retrieved from internet, <https://www.amazon.com/Armour-Wireless-Headphones-Engineered-JBL/dp/B07MBZTLVJ>.*

JBL unveils four new options for true wireless earbuds, announced Jan. 7, 2019 [online], retrieved Jun. 3, 2021, retrieved from internet, https://www.engadget.com/2019-01-07-jbl-true-wireless-earbuds-ces-2019.html?guccounter=1&guce_referrer=aHR0cHM6Ly93d3cuZ29vZ2xILmNvbS8&guce_referrer_sig=AQAAAEgJzGijnln9XSAv_0WUnXgxDAMsKknkdLBVet70jnCh2KDOWGJeYa2wQC-k4yYdPfnSzm075xu2Emi7qglbF7HxxrUf0h6xekw2w5XCmji8mx269Pw5ZsNtzBi7NYBESIiFh1O6DkebX-9rbY3XMAGeNT1sXk5hzyjXL6n1sb4j.*

JBL Under Armour Streak True Wireless In-Ear Sport Headphones, announced © 2000-2021 [online], retrieved Jun. 3, 2021, retrieved from internet, https://www.bhphotovideo.com/c/product/1603442-REG/jbl_uajblstreakblkam_ua_streak_ultra_compactin_ear_sport.html.*

JBL Under Armour True Wireless Streak, announced Nov. 20, 2020 [online], retrieved Jun. 3, 2021, retrieved from internet, https://www.amazon.com/JBL-Under-Armour-Wireless-Streak/dp/B08MBDL293/ref=asc_df_B08MBDL293/?tag=hyprod-20&linkCode=df0&hvadid=475752117837&hvpos=&hvnetw=g&hvrnd=3959172816984622549&hvpone=&hvptwo=&hvqmt=&hvdev=c&hvdvcmdl=&hvlocint=&hvlocphy=1027019&hvtargid=pla-1157022883353&pssc=1.*

Klipsch T5 II True Wireless Sport Earphones, announced May 18, 2020 [online], retrieved Jun. 3, 2021, retrieved from internet, https://www.amazon.com/dp/B088SJ4H9R/ref=sspa_dk_detail_4?psc=1&pd_rd_i=B088SJ4H9Rp13NParams&spLa=ZW5jenlwdGVkUXVhbGlmaWVyPUEwOEg1Q0JN0VWUIg3ImVuY3J5cHRIZElkPUEwNjI3MjA2MIZYRkVINTFEVVFZFMZSIibmNyeXB0ZWRBZEIkPUEwMzYyMTI0WDZWWUJHV0hMWVozJndpZGdldE5hbWU9c3BfZGV0YWIsMmZlY3Rpb249Y2xpY2tSZWRpcmVjdCZkb05vdExvZ0NsaWNRPXRYdWU=.*

Design U.S. Appl. No. 29/631,197, filed Dec. 28, 2017.
 Design U.S. Appl. No. 29/631,265, filed Dec. 28, 2017.
 Design U.S. Appl. No. 29/661,340, filed Aug. 27, 2018.
 Design U.S. Appl. No. 29/661,384, filed Aug. 27, 2018.
 Design U.S. Appl. No. 29/661,456, filed Aug. 28, 2018.
 Design U.S. Appl. No. 29/675,151, filed Dec. 28, 2018.
 Design U.S. Appl. No. 29/675,537, filed Jan. 3, 2019.
 Design U.S. Appl. No. 29/688,619, filed Apr. 23, 2019.
 Design U.S. Appl. No. 29/695,334, filed Jun. 18, 2019.
 Design U.S. Appl. No. 29/711,484, filed Oct. 31, 2019.
 Design U.S. Appl. No. 29/717,872, filed Dec. 19, 2019.
 Design U.S. Appl. No. 29/719,091, filed Dec. 31, 2019.
 Design U.S. Appl. No. 29/720,428, filed Jan. 13, 2020.
 Design U.S. Appl. No. 29/734,436, filed May 12, 2020.
 Design U.S. Appl. No. 29/719,154, filed Dec. 31, 2019.
 Design U.S. Appl. No. 29/719,159, filed Dec. 31, 2019.
 Design U.S. Appl. No. 29/719,185, filed Jan. 1, 2020.
 Design U.S. Appl. No. 29/719,410, filed Jan. 3, 2020.

* cited by examiner

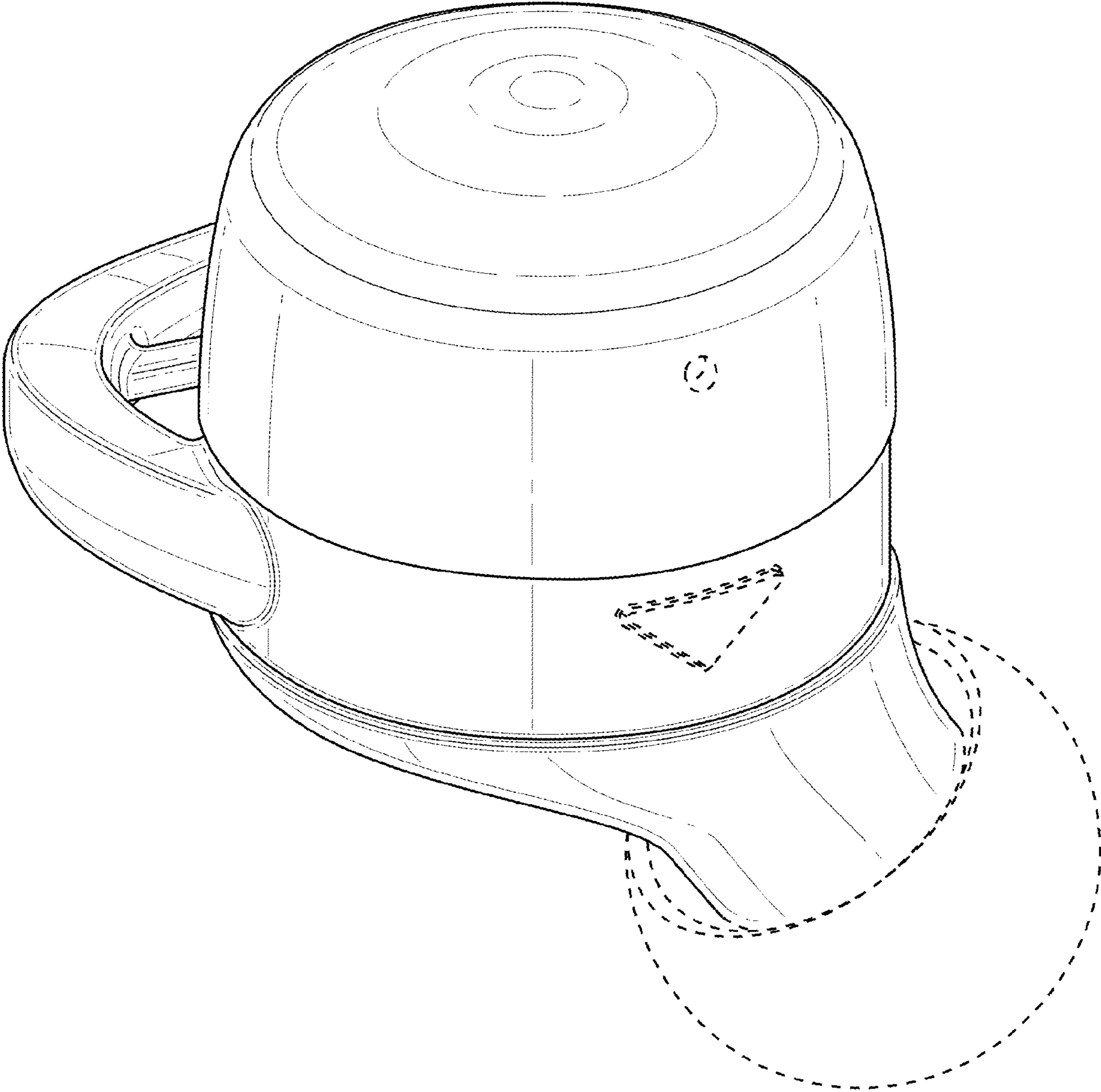


FIG. 1

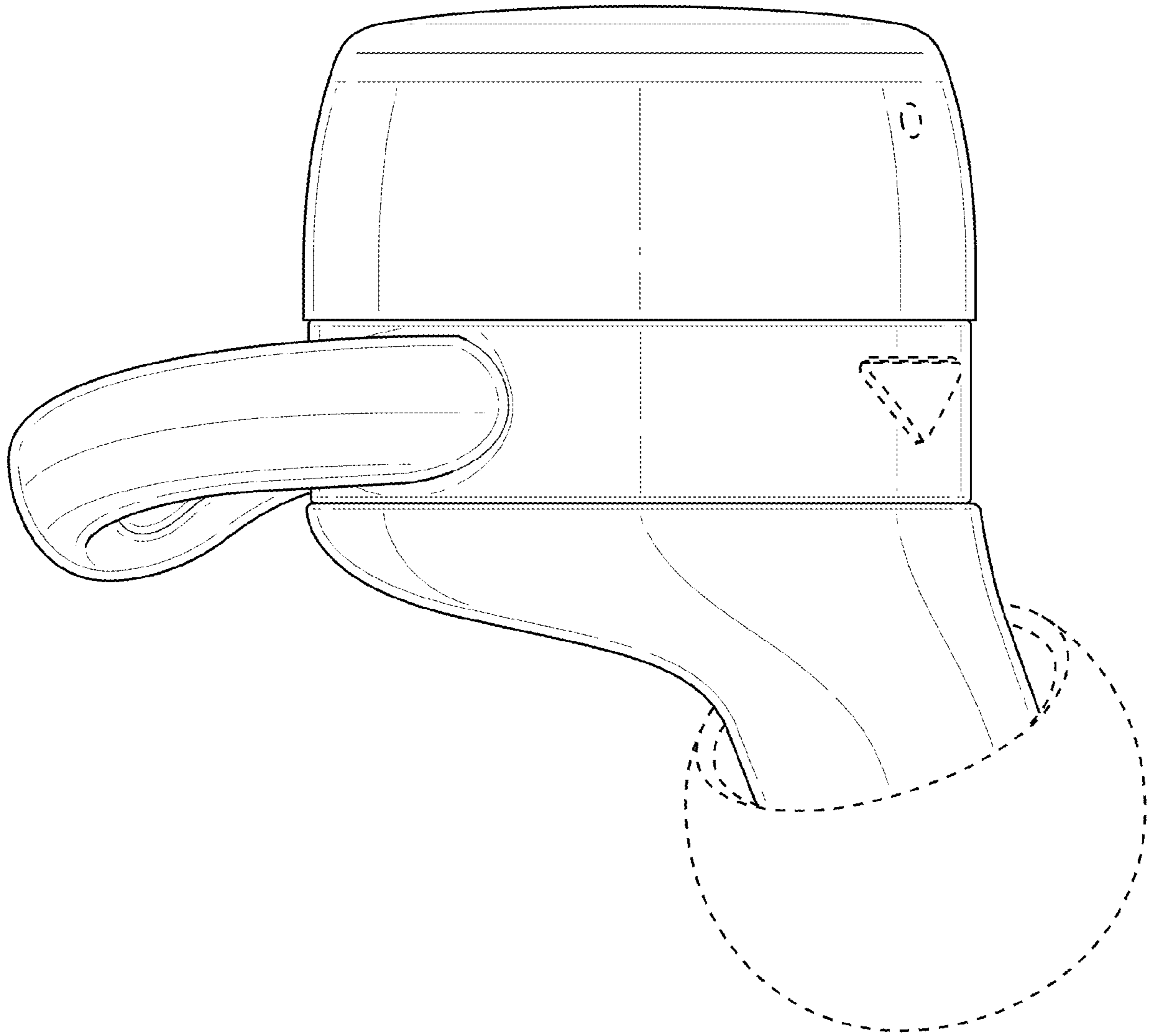


FIG. 2

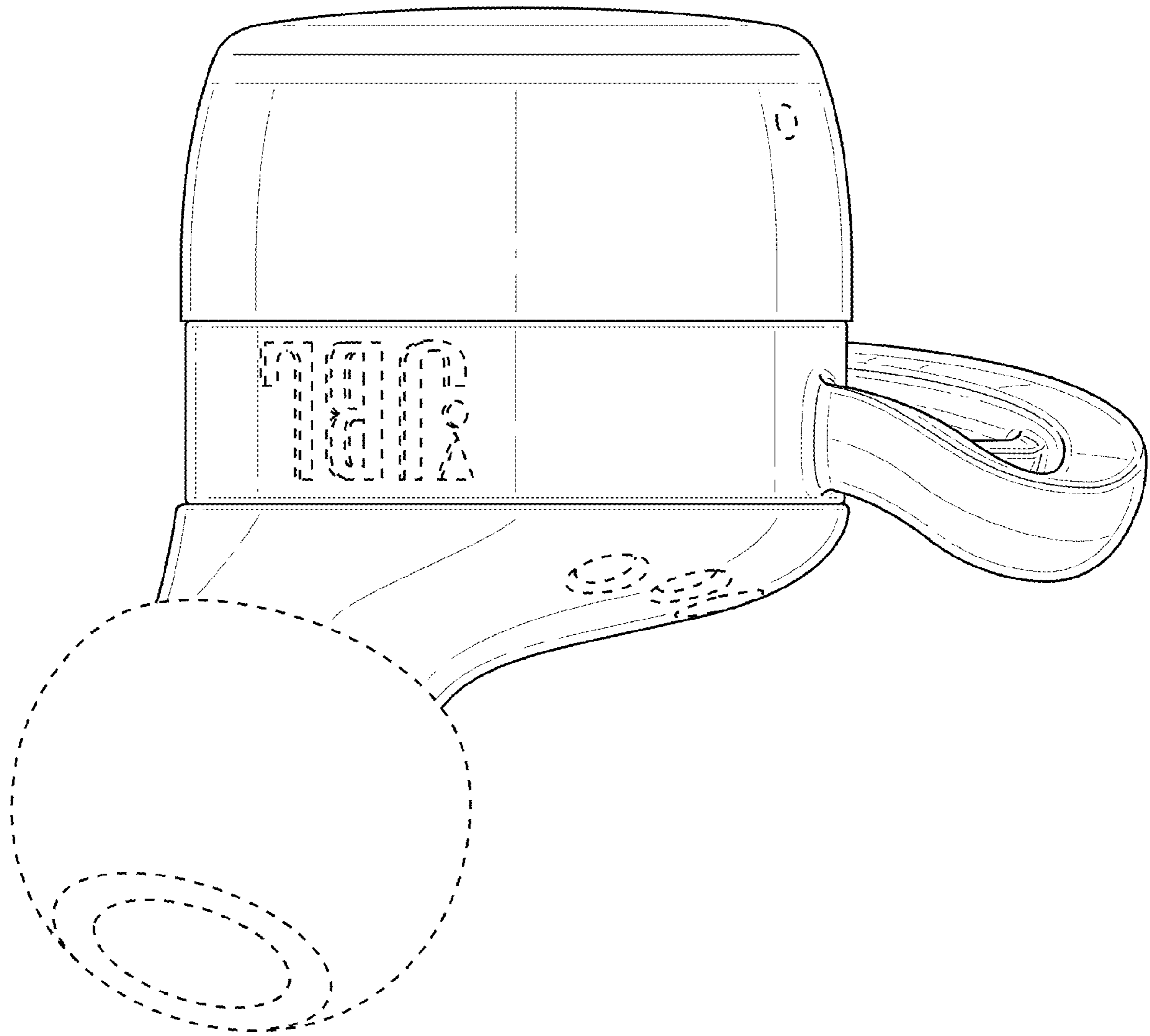


FIG. 3

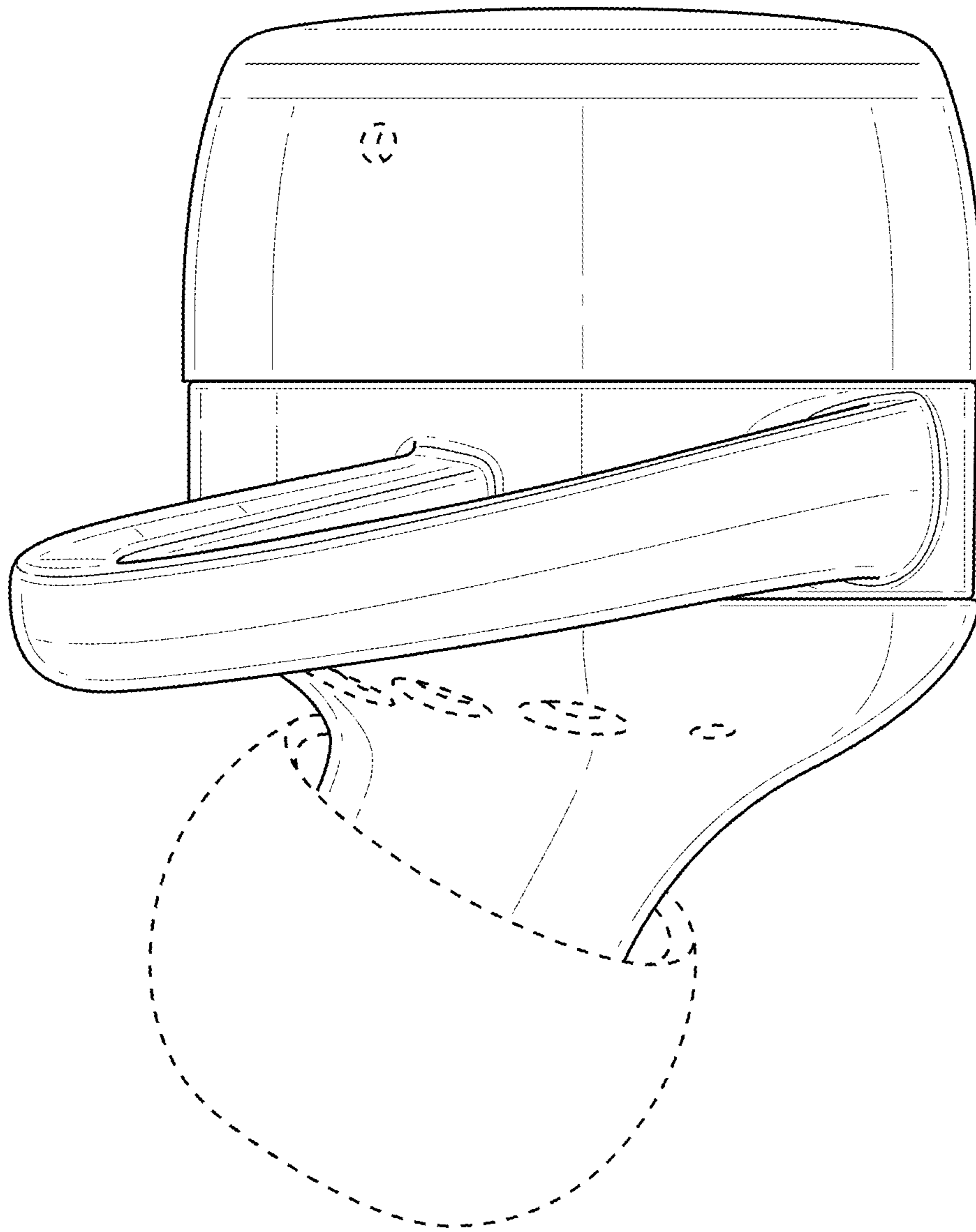


FIG. 4

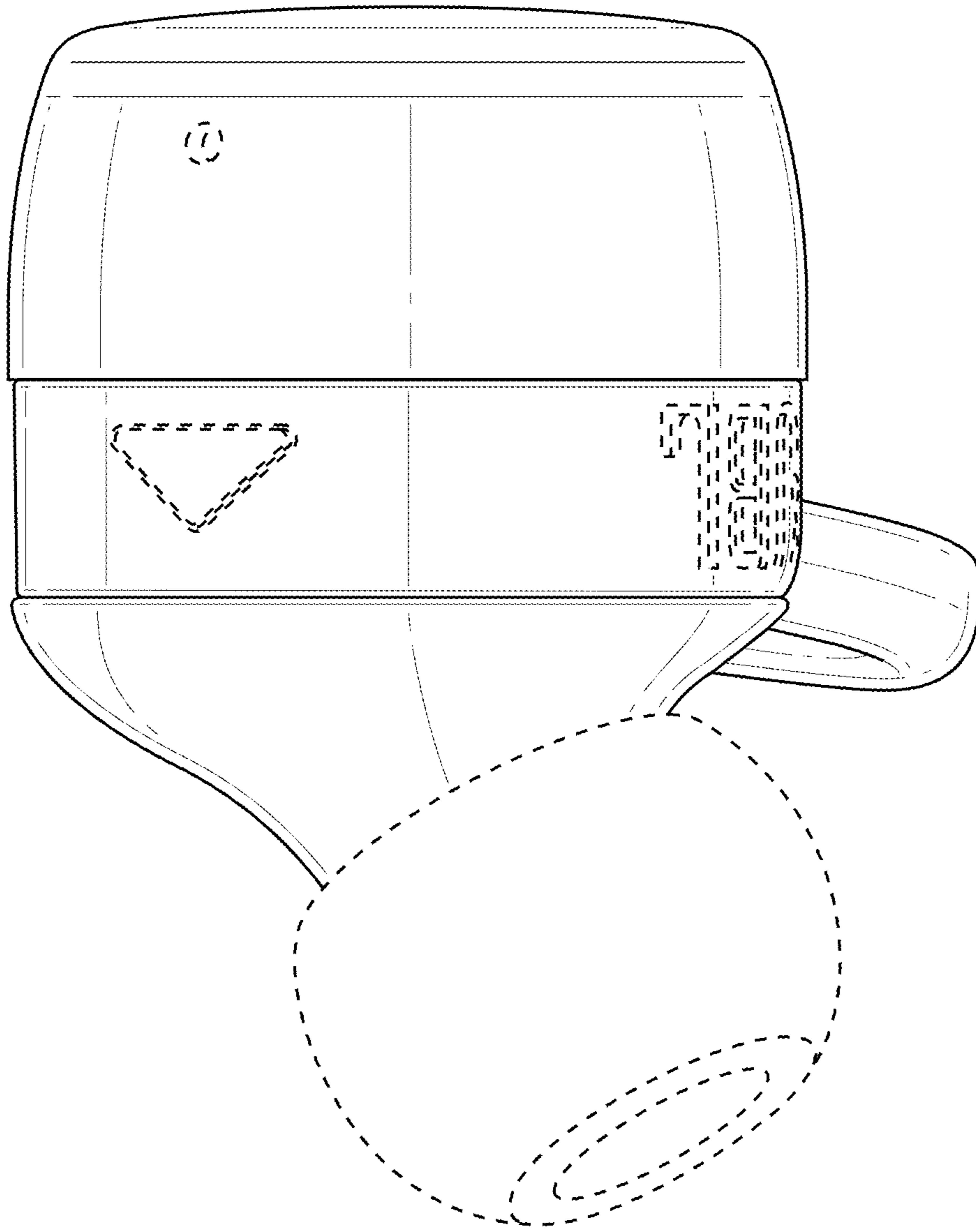


FIG. 5

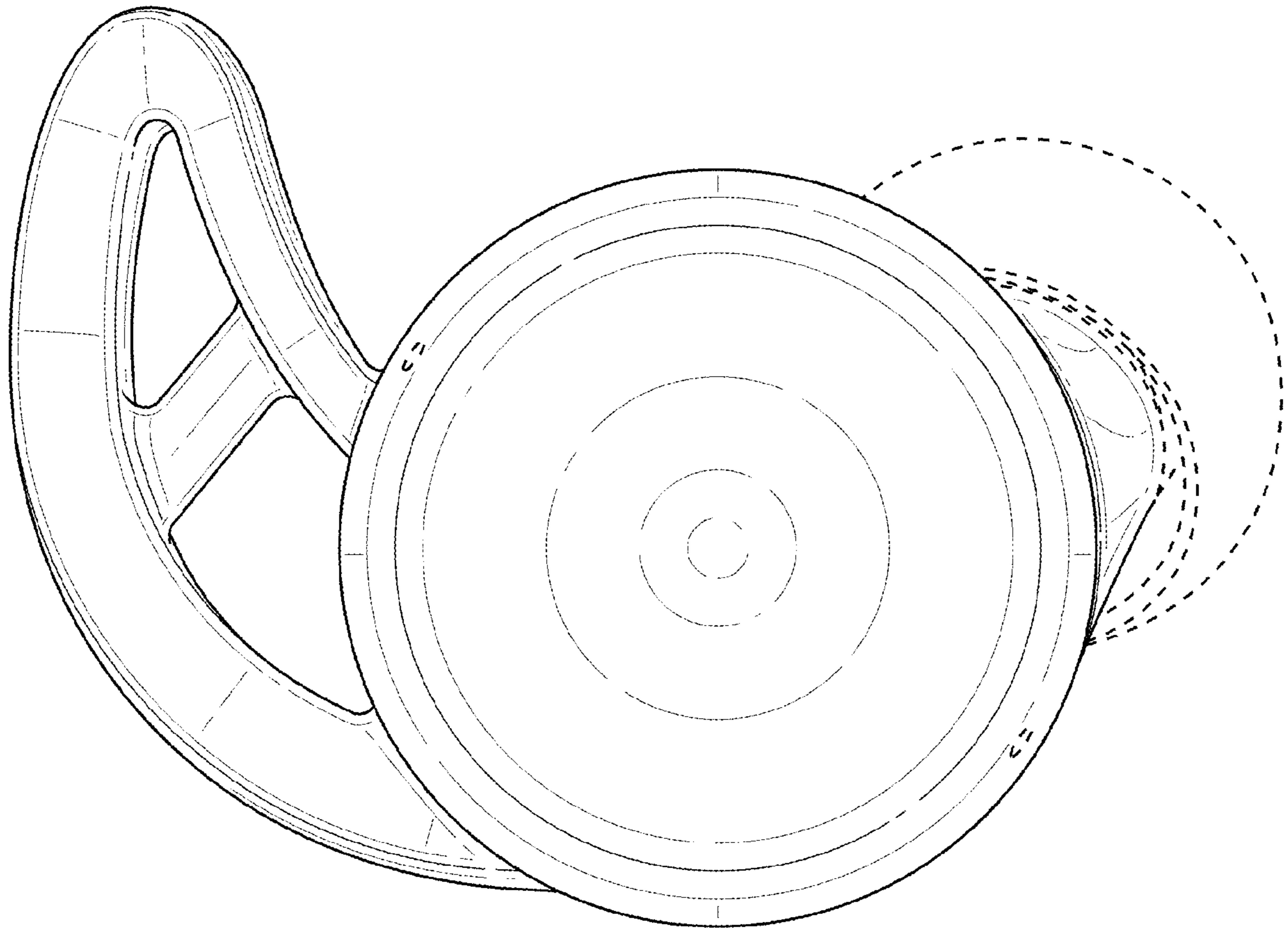


FIG. 6

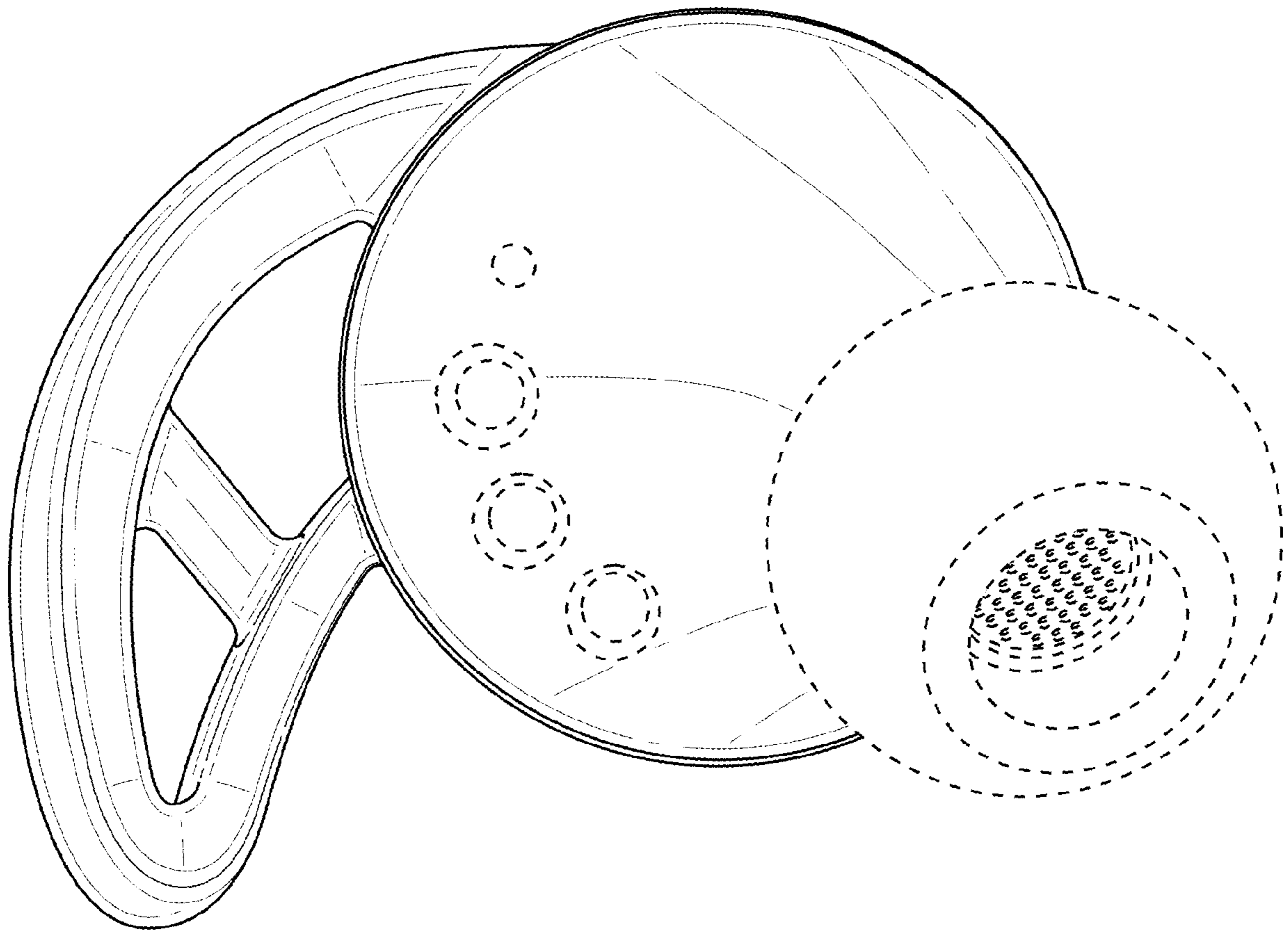


FIG. 7

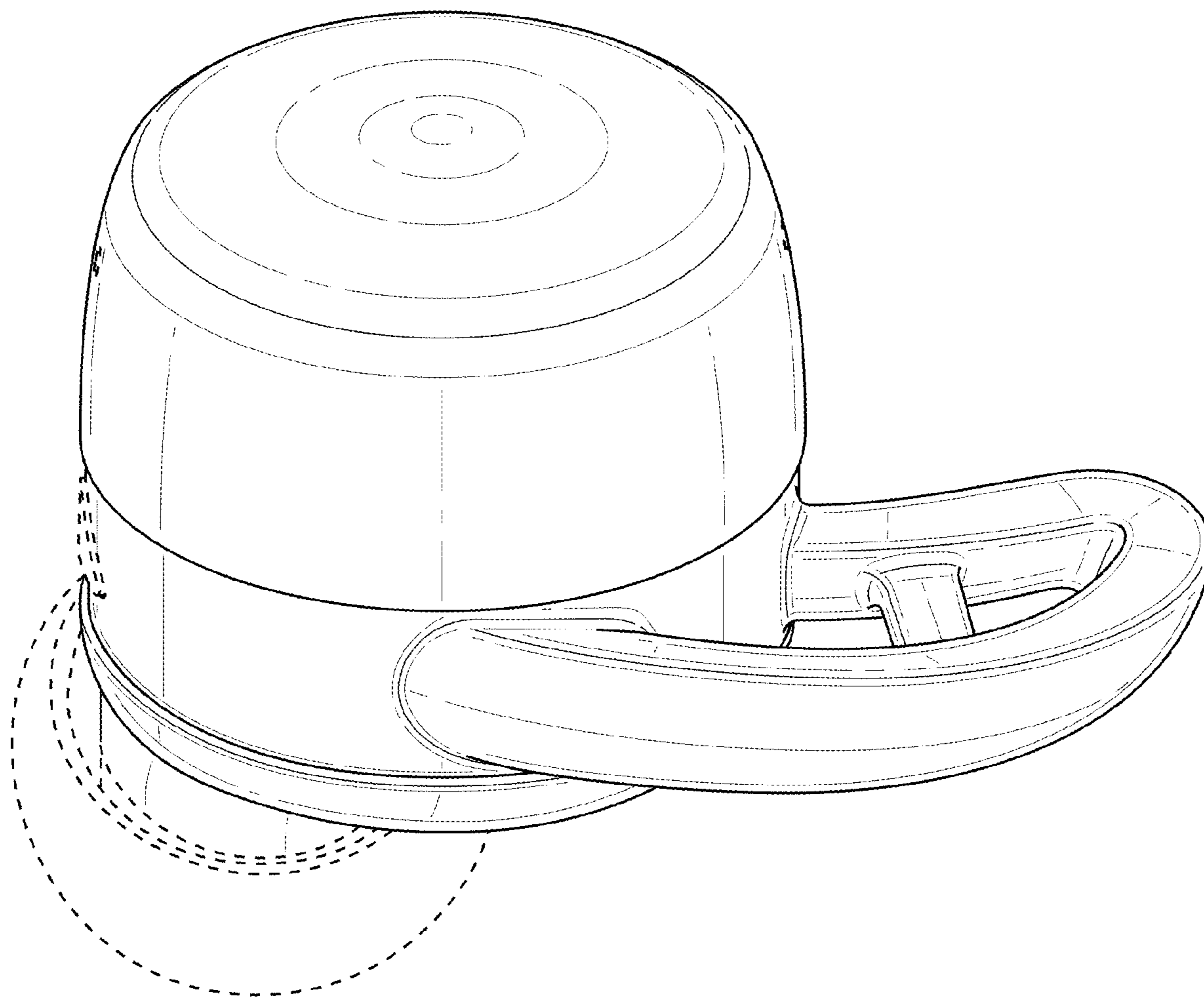


FIG. 8

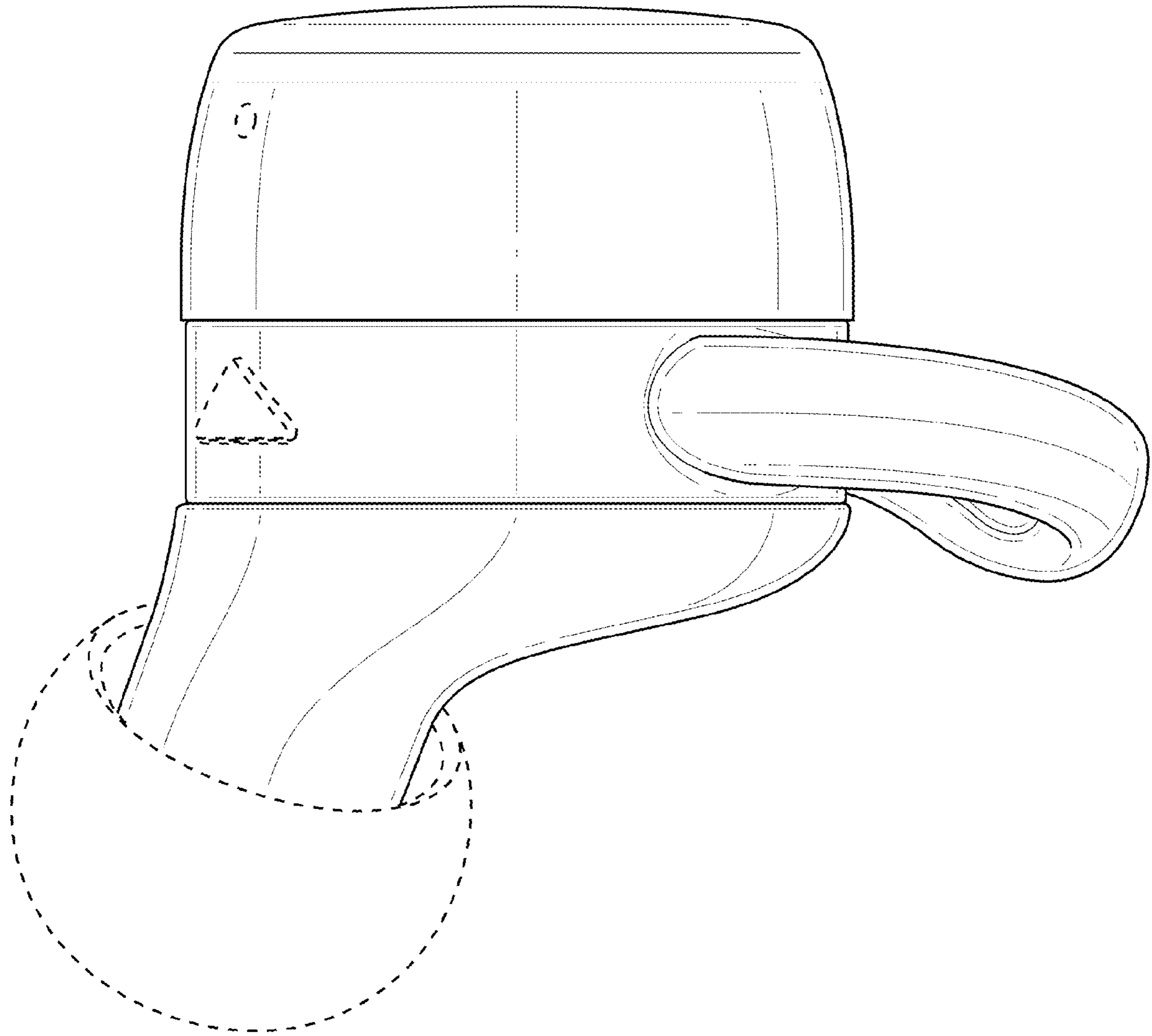


FIG. 9

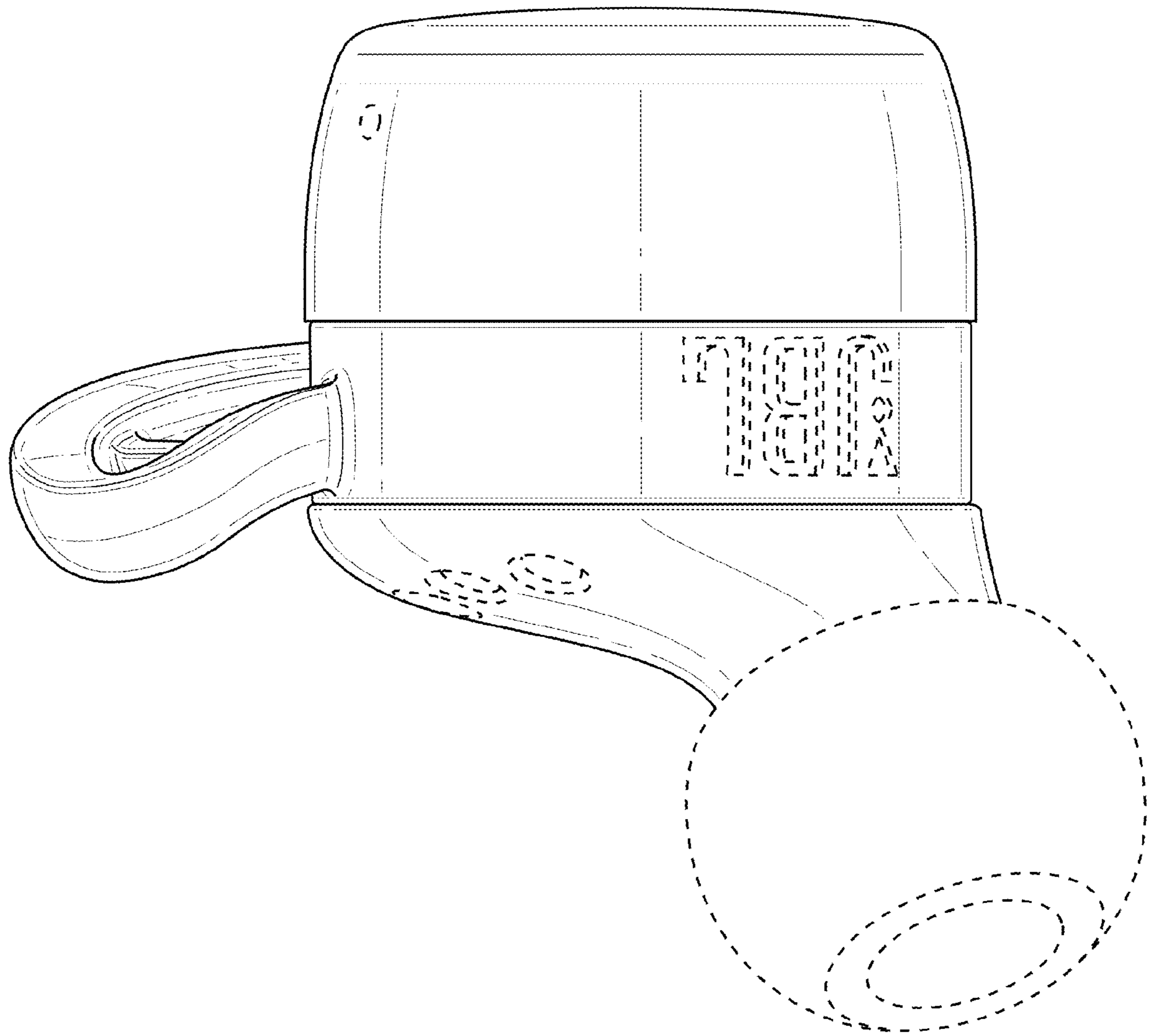


FIG. 10

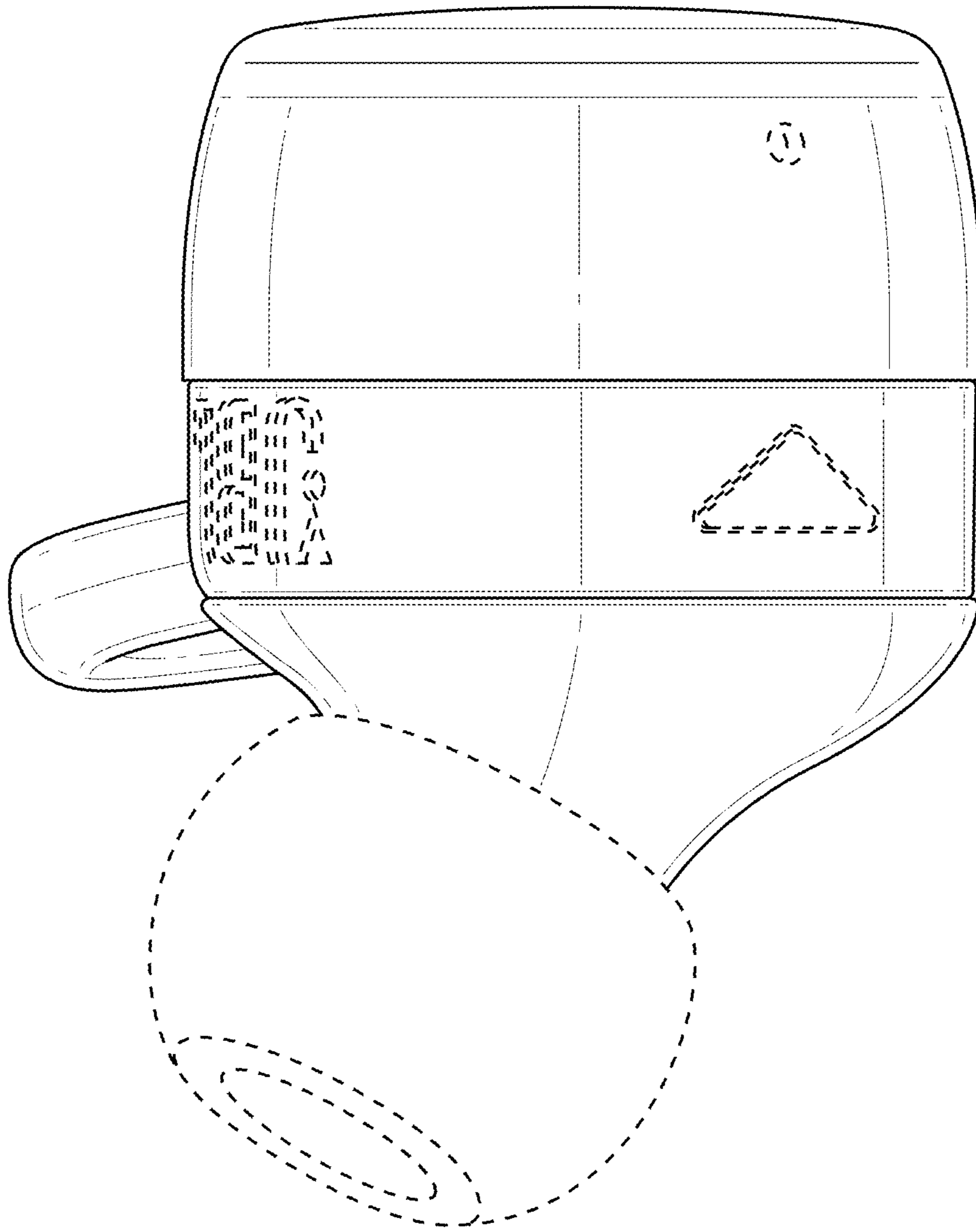


FIG. 11

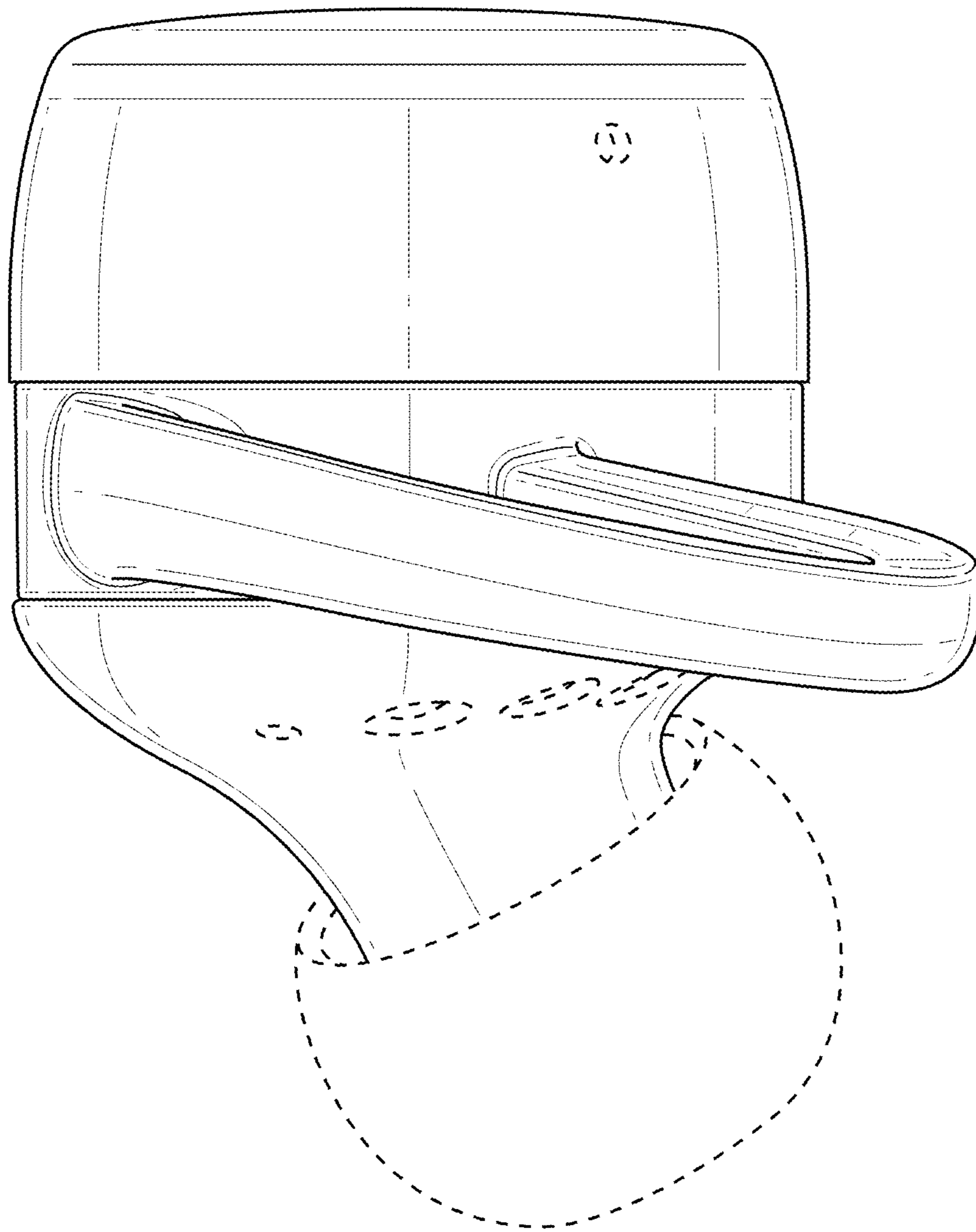


FIG. 12

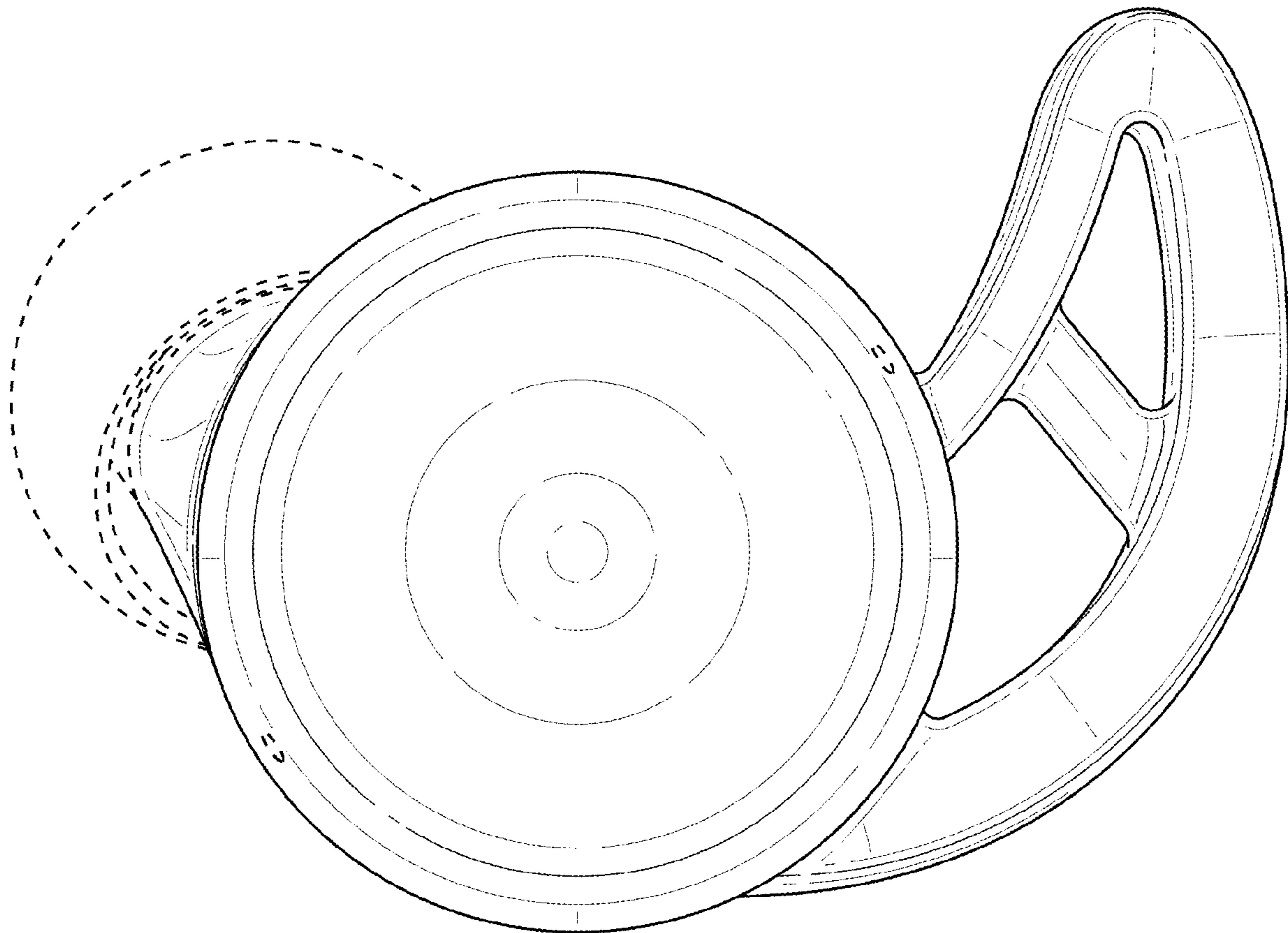


FIG. 13

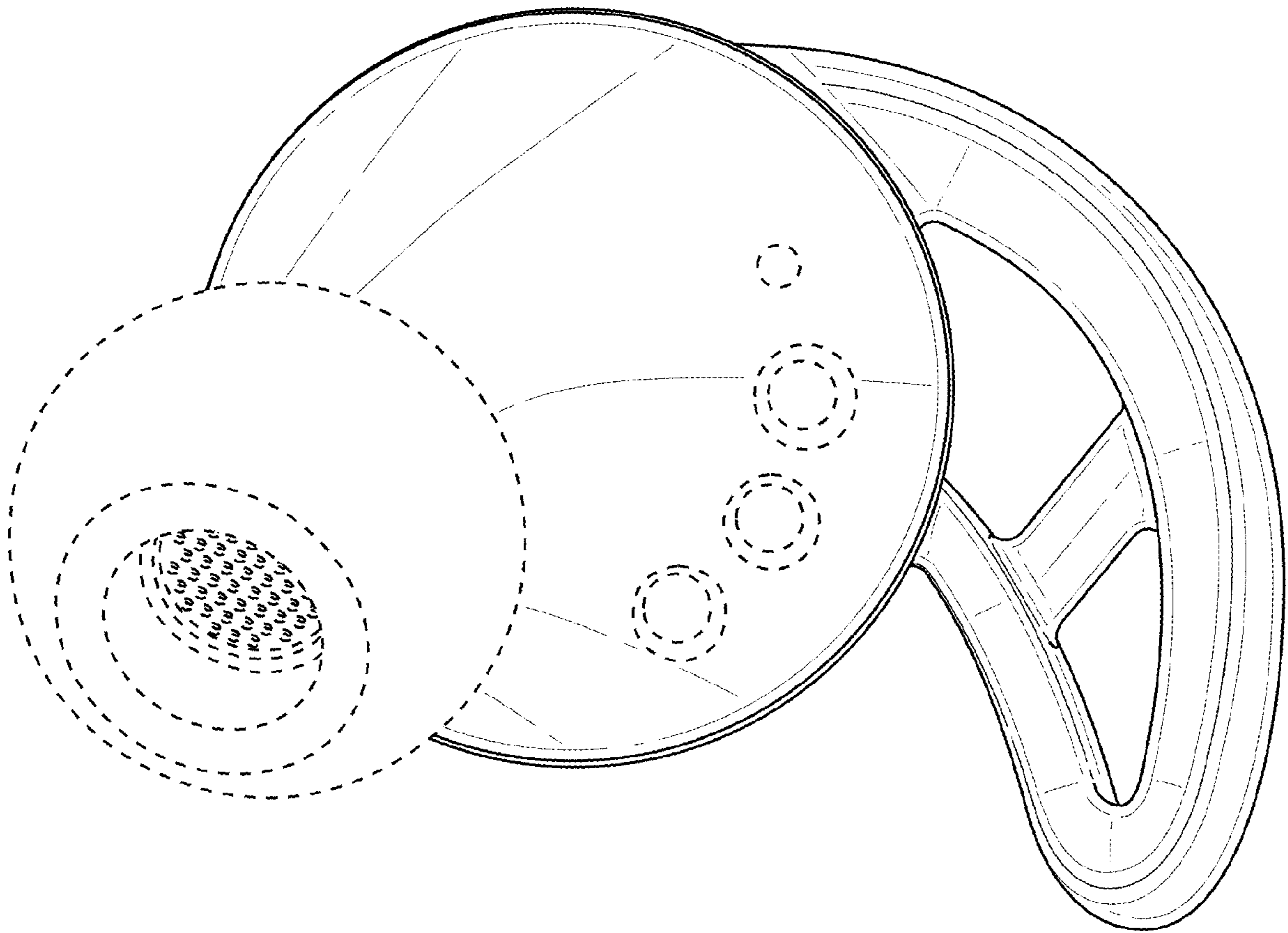


FIG. 14