



US00D948478S

(12) **United States Design Patent**
Walter et al.

(10) **Patent No.:** **US D948,478 S**
(45) **Date of Patent:** **** Apr. 12, 2022**

(54) **PORTABLE SPEAKER**

FOREIGN PATENT DOCUMENTS

(71) Applicant: **POW Audio Inc.**, Cape Neddick, ME
(US)

CN 305509850 S 12/2019
JP 2007129539 A 5/2007
WO 2013078916 A1 6/2013

(72) Inventors: **Glen V. Walter**, Boxford, MA (US);
Cameron V. Walter, Boxford, MA
(US)

OTHER PUBLICATIONS

Drfaulken, Gibberish Is My Native Language, "Powered Portable Speaker Shootout," [online], Dec. 13, 2011 (19 pages), [retrieved on Jul. 15, 2014]; Retrieved from the Internet URL: <http://journal.drfaulken.com/powered-portable-speaker-shootout/>.

(73) Assignee: **POW AUDIO INC.**, Cape Neddick, ME (US)

(Continued)

(**) Term: **15 Years**

Primary Examiner — Keli L Hill

(21) Appl. No.: **29/686,289**

(74) *Attorney, Agent, or Firm* — Hamilton, Brook, Smith & Reynolds, P.C.

(22) Filed: **Apr. 3, 2019**

(57) **CLAIM**

The ornamental design for a portable speaker, as shown and described.

(30) **Foreign Application Priority Data**

Mar. 5, 2019 (EM) 006277927-0004

Mar. 5, 2019 (EM) 006277927-0005

(Continued)

DESCRIPTION

(51) **LOC (13) Cl.** **14-01**

(52) **U.S. Cl.**

USPC **D14/216**; D14/217; D14/243

(58) **Field of Classification Search**

USPC D14/167, 168, 170–172, 188, 194–197,
D14/203.1–203.8, 204, 209.1, 210–216,
D14/219, 221, 222, 224, 239, 496, 243

(Continued)

FIG. 1 is a perspective view of a portable speaker in an expanded state in an embodiment.

FIG. 2 is a front view of the portable speaker in an expanded state showing our new design in an embodiment.

FIG. 3 is a bottom view of the portable speaker in an expanded state showing our new design in an embodiment.

FIG. 4 is a back view of the portable speaker in an expanded state showing our new design in an embodiment.

FIG. 5 is a top view the portable speaker in an expanded state showing our new design in an embodiment.

FIG. 6 is a left side view of the portable speaker in an expanded state showing our new design in an embodiment.

FIG. 7 is a right side view of the portable speaker in an expanded state showing our new design in an embodiment.

FIG. 8 is a perspective view of a portable speaker in a collapsed state in an embodiment.

FIG. 9 is a front view of the portable speaker in a collapsed state showing our new design in an embodiment.

FIG. 10 is a bottom view of the portable speaker in a collapsed state showing our new design in an embodiment.

(Continued)

(56) **References Cited**

U.S. PATENT DOCUMENTS

D192,637 S * 4/1962 Judson H04R 1/2811
D14/243

D346,598 S * 5/1994 McCay H04R 1/02
D14/137

(Continued)

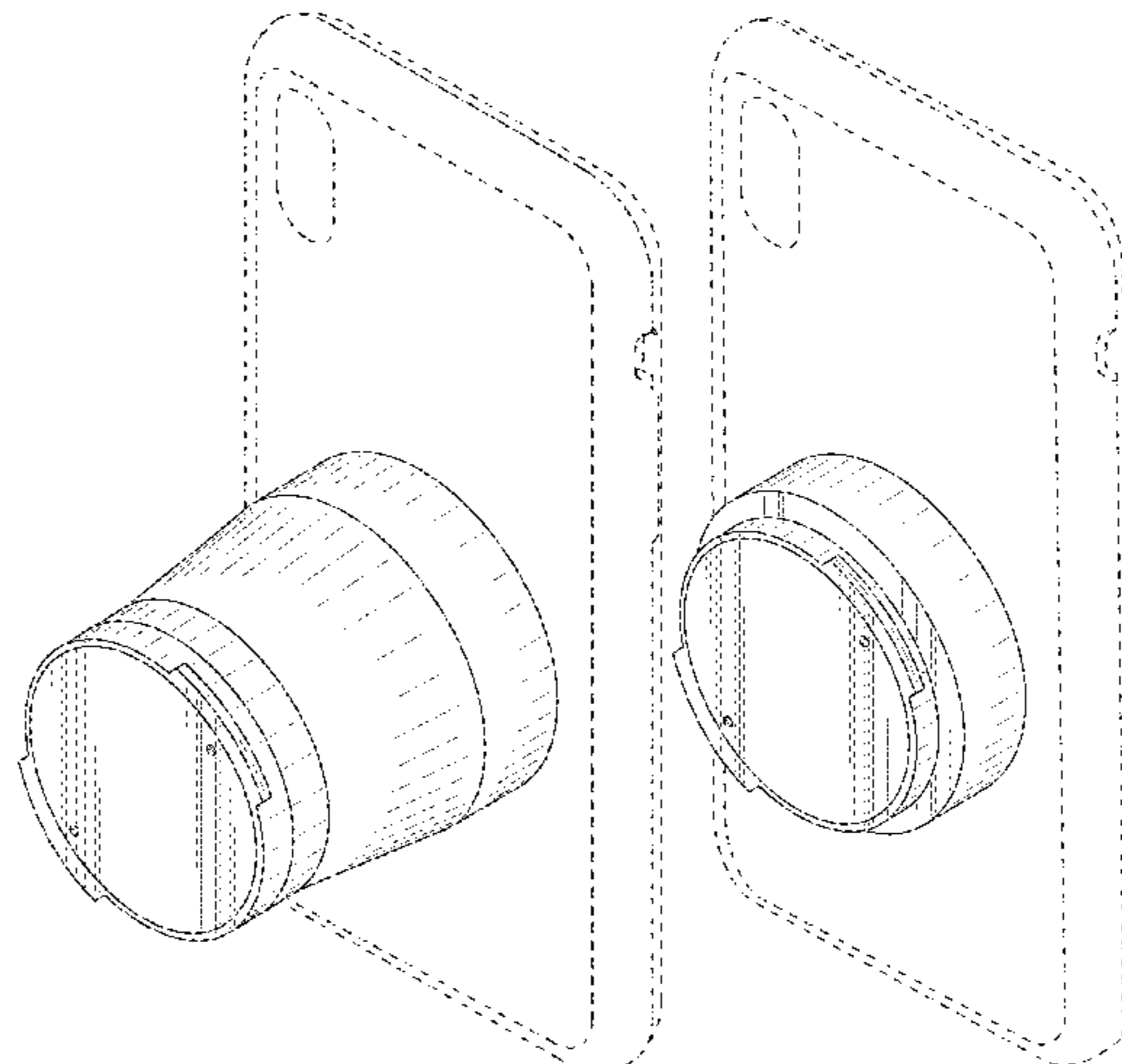


FIG. 11 is a back view of the portable speaker in a collapsed state showing our new design in an embodiment.

FIG. 12 is a top view the portable speaker in a collapsed state showing our new design in an embodiment.

FIG. 13 is a left side view of the portable speaker in a collapsed state showing our new design in an embodiment; and,

FIG. 14 is a right side view of the portable speaker in a collapsed state showing our new design in an embodiment. The broken lines shown are included for the purpose of illustrating portions of the portable speaker that form no part of the claim.

1 Claim, 8 Drawing Sheets

(30) **Foreign Application Priority Data**

Mar. 5, 2019 (EM) 006277927-0006
 Mar. 5, 2019 (EM) 006277927-0007

(58) **Field of Classification Search**

CPC B60R 11/0217; G06F 1/1688; G10K 9/22;
 G10K 11/004; H03F 1/327; H04M 1/03;
 H04M 1/035; H04N 5/642; H04N
 21/4852; H04R 1/02; H04R 1/06; H04R
 1/021; H04R 1/025; H04R 1/026; H04R
 1/028; H04R 1/105; H04R 1/323; H04R
 1/403; H04R 1/2803; H04R 1/2834;
 H04R 5/02; H04R 7/20; H04R 9/06;
 H04R 9/025; H04R 2201/021; H04R
 2400/00; H04R 2400/07; H04R 2499/11;
 H04R 2499/13; H04R 2499/15; H04S
 3/00; H04S 7/30

See application file for complete search history.

(56) **References Cited**

U.S. PATENT DOCUMENTS

D610,572 S * 2/2010 Skurdal D14/216
 D610,573 S * 2/2010 Joseph D14/216

8,284,972 B2 10/2012 Lin
 8,792,232 B2 7/2014 Richardson
 8,976,512 B2 3/2015 Richardson et al.
 D728,520 S 5/2015 Zhang
 D728,521 S 5/2015 Zhang
 D728,522 S 5/2015 Zhang
 D728,525 S 5/2015 Zhang
 D728,526 S 5/2015 Zhang
 D729,204 S * 5/2015 Tze-Yen D14/216
 9,114,923 B2 8/2015 Richardson et al.
 D749,554 S * 2/2016 Park D14/250
 9,295,174 B2 3/2016 Witter et al.
 9,351,066 B2 5/2016 Walter et al.
 9,402,122 B2 7/2016 Richardson et al.
 D780,742 S 3/2017 Guerdrum et al.
 9,654,605 B2 5/2017 Goldfain et al.
 9,716,401 B2 7/2017 Wojcik
 9,774,713 B2 9/2017 Guerdrum et al.
 9,807,211 B2 10/2017 Guerdrum et al.
 D807,328 S * 1/2018 Garrett D14/216
 D833,423 S 11/2018 Guerdrum et al.
 D922,353 S * 6/2021 Liniado D14/216
 D926,727 S * 8/2021 Walter D14/214
 2004/0252859 A1 12/2004 Saiki
 2008/0118098 A1 5/2008 Irby et al.
 2008/0279406 A1 11/2008 D'Hoogh
 2010/0194578 A1 8/2010 Zhang
 2012/0063626 A1 3/2012 Peng
 2012/0163620 A1 6/2012 Zhang
 2013/0003984 A1 1/2013 Belafonte et al.
 2014/0093097 A1 4/2014 Zhang
 2015/0049895 A1 * 2/2015 Walter H04R 1/02
 381/345
 2020/0084527 A1 * 3/2020 Walter H04R 1/2811

OTHER PUBLICATIONS

Otter Box, "Universe Case System," <https://www.otterbox.com/en-us/universe-case-system> (5 pages) retrieved on Sep. 7, 2018.

Smartv Ltd, "TranXformerTM," <http://www.tranxformer.com> (6 pages) (last visited Jun. 2015).

Notification of Transmittal of the International Search Report and the Written Opinion of the International Searching Authority for PCT/US2014/051037, "Expandable Speaker," dated Nov. 24, 2014, 11 pages.

<https://www.otterbox.com/en-us/ip.html>, Jun. 2017 (6 pages).

* cited by examiner

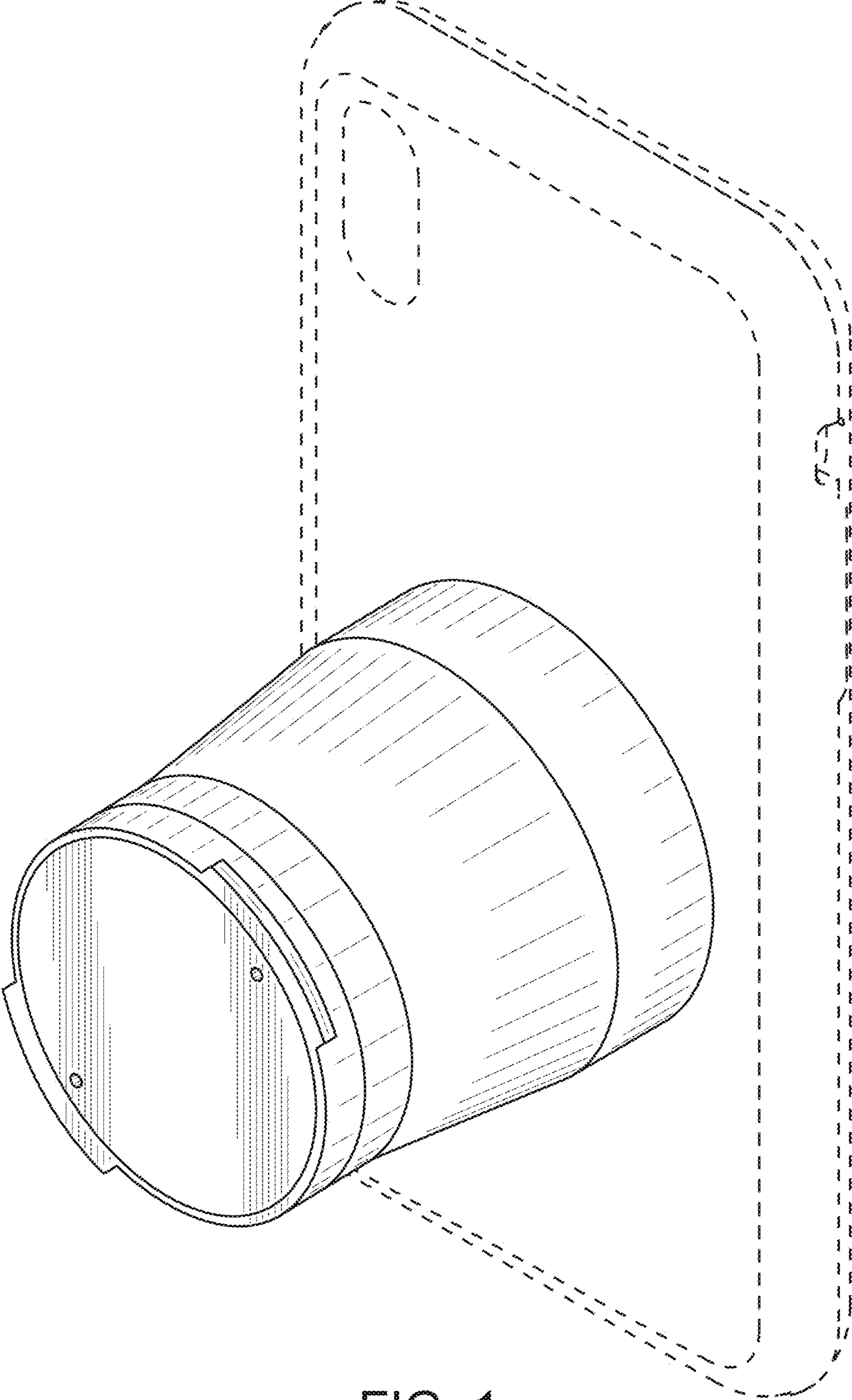


FIG. 1

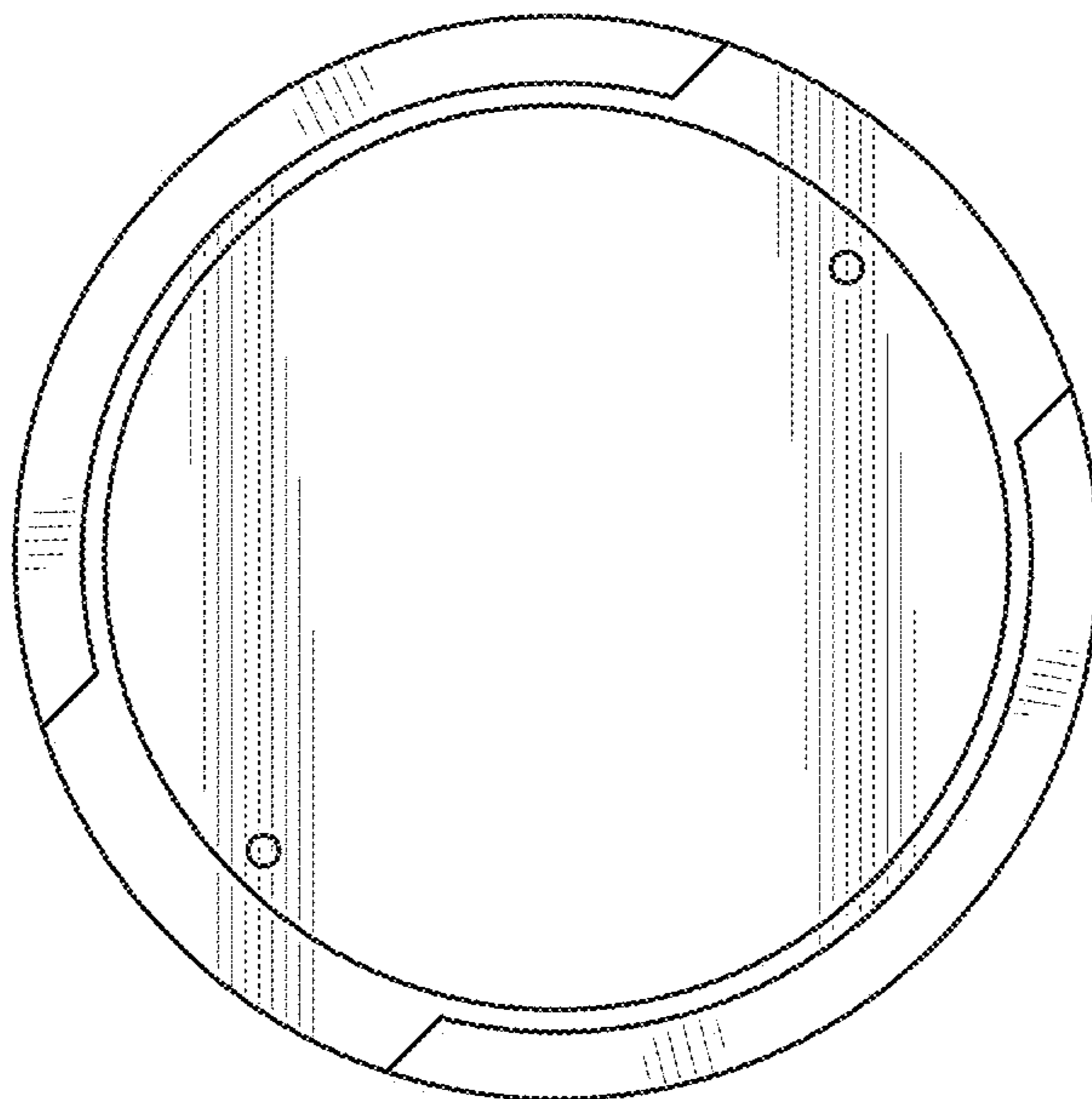


FIG. 2

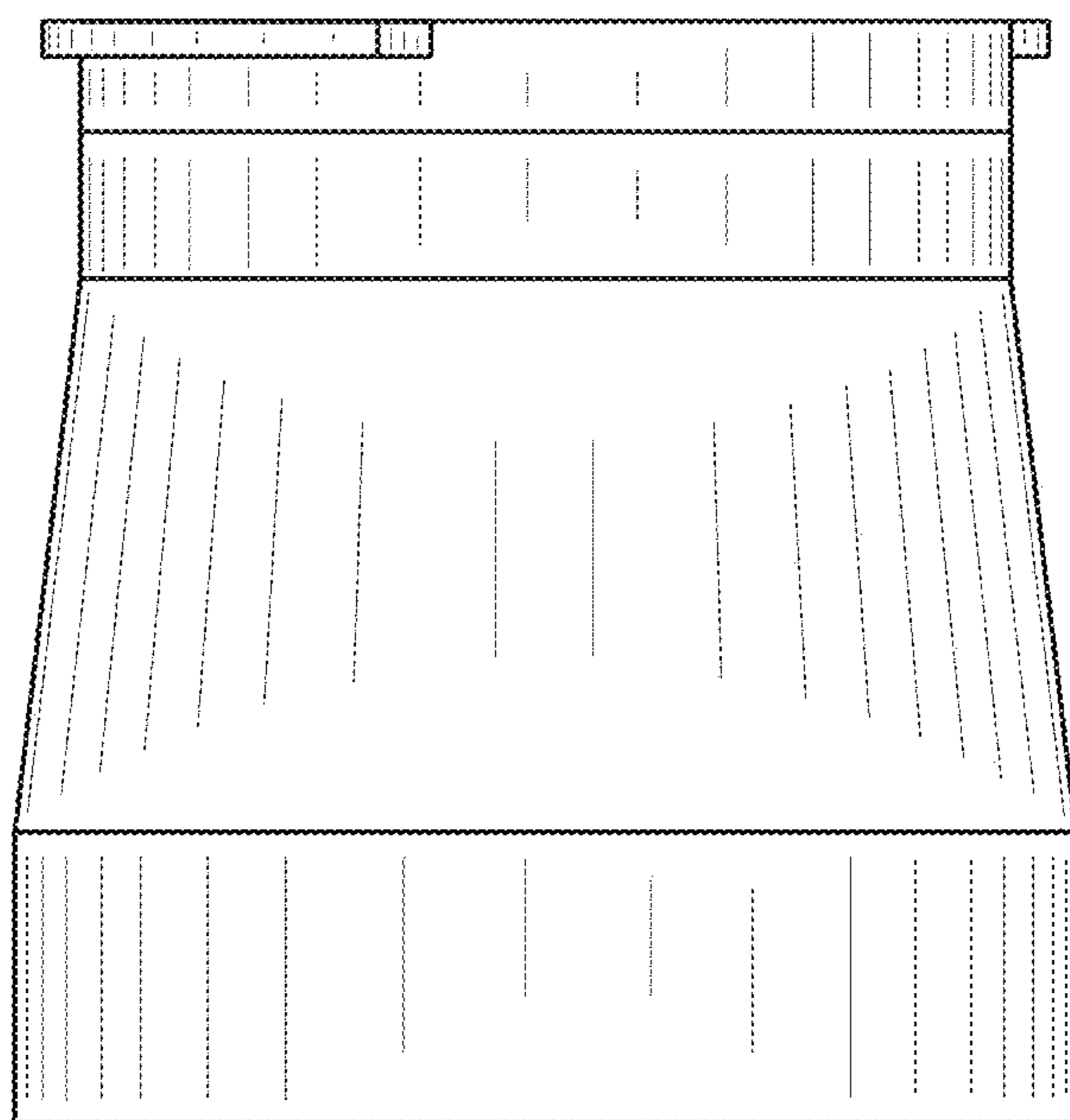


FIG. 3

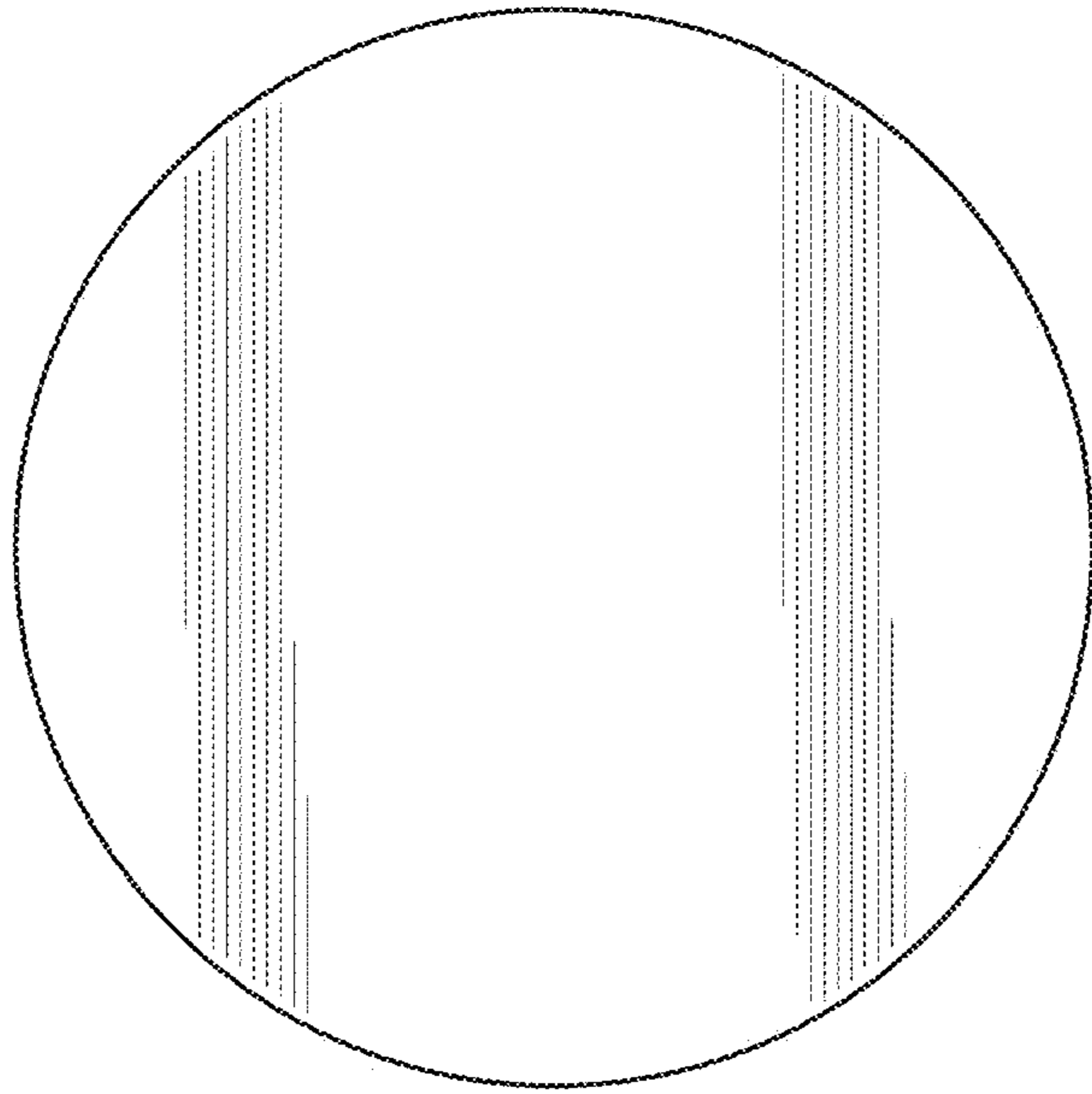


FIG. 4

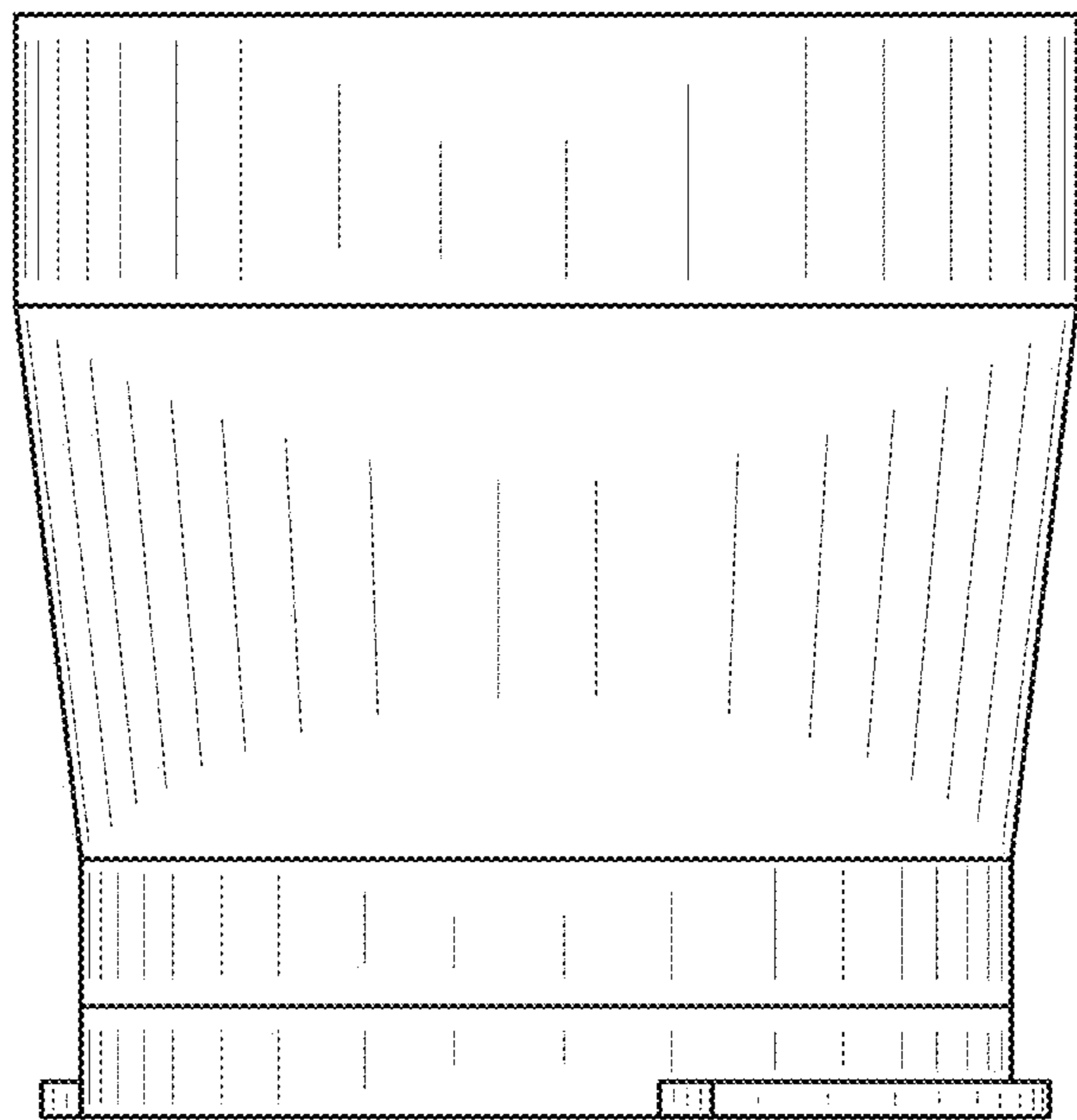


FIG. 5

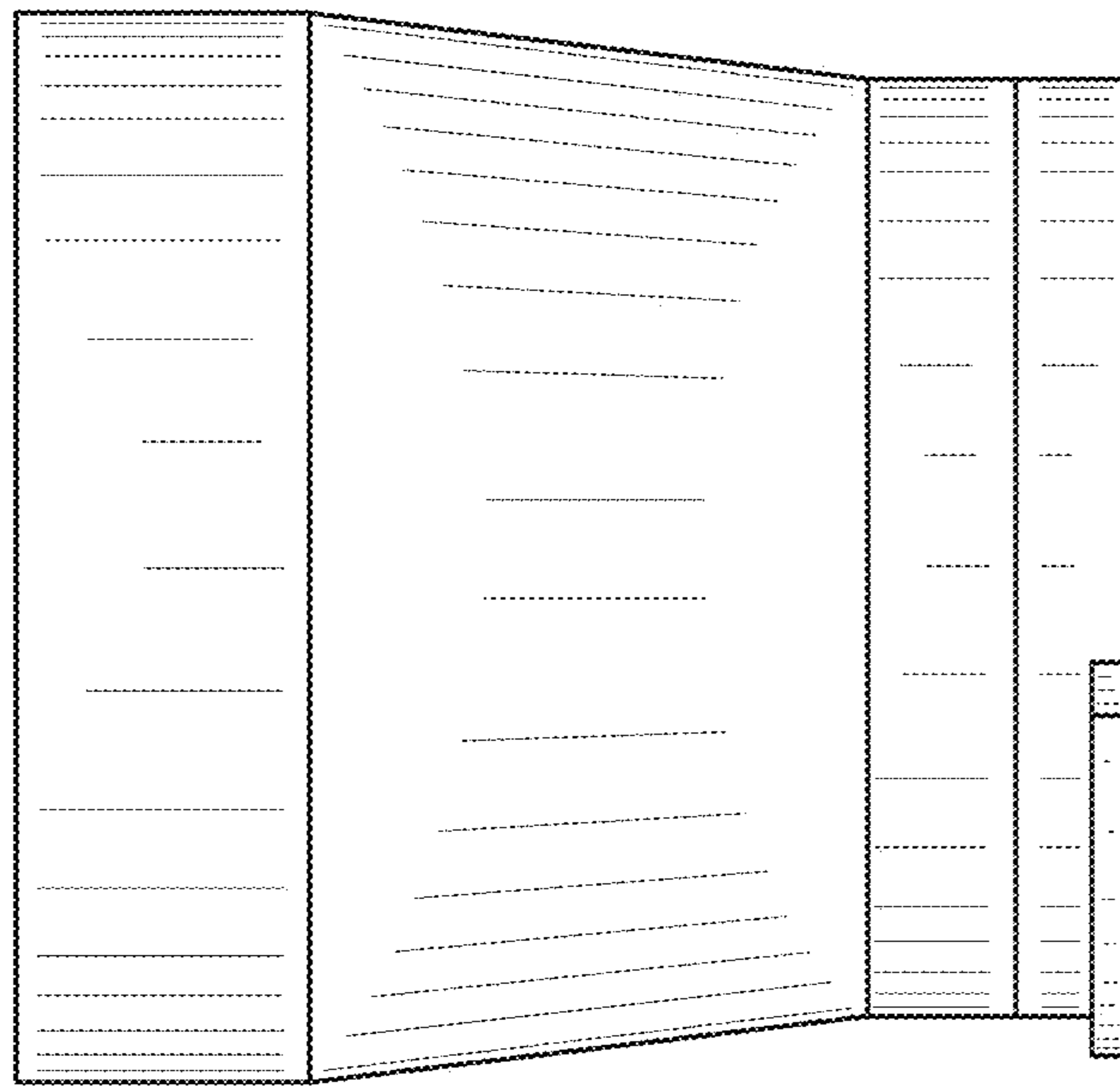


FIG. 6

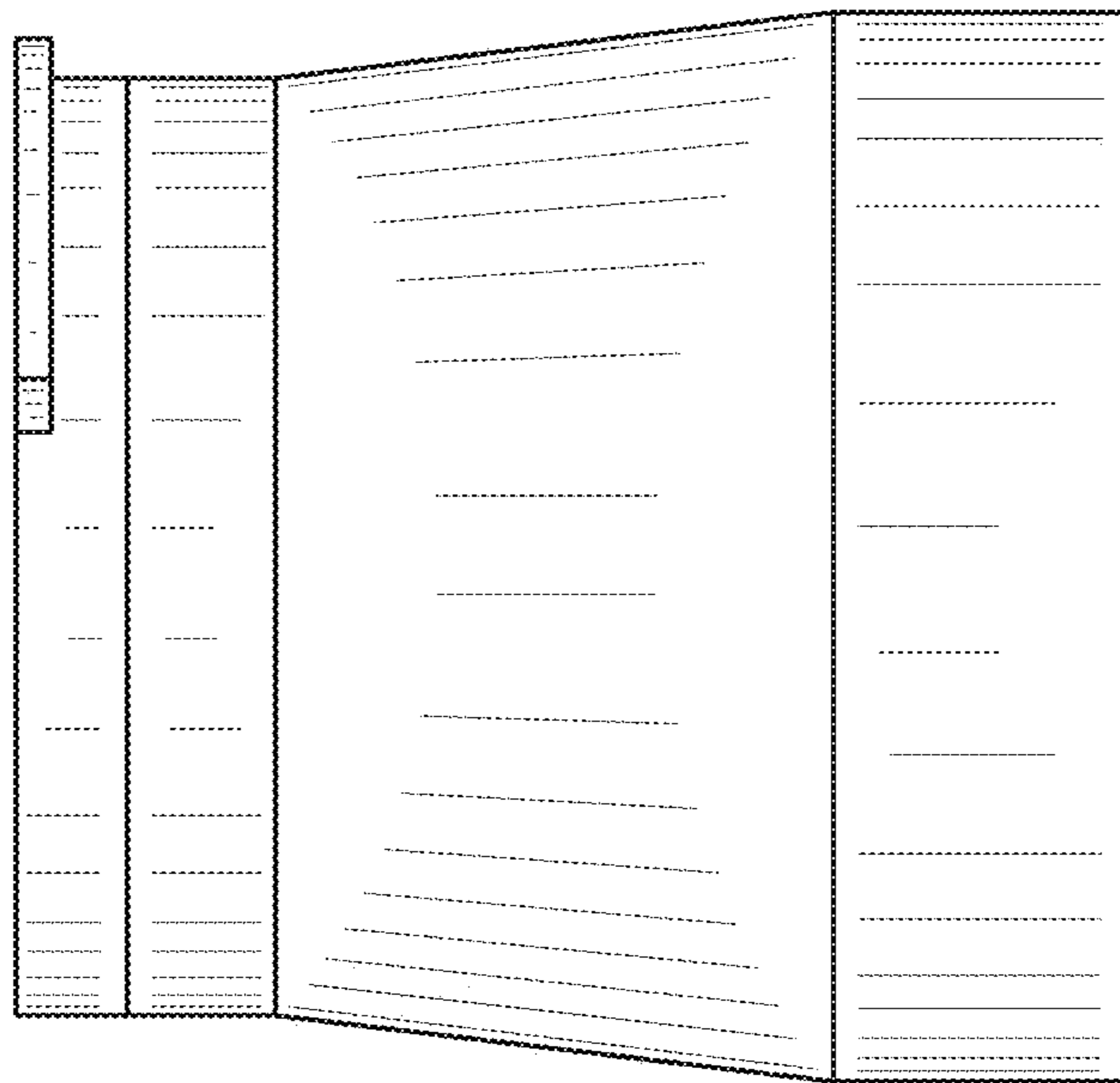


FIG. 7

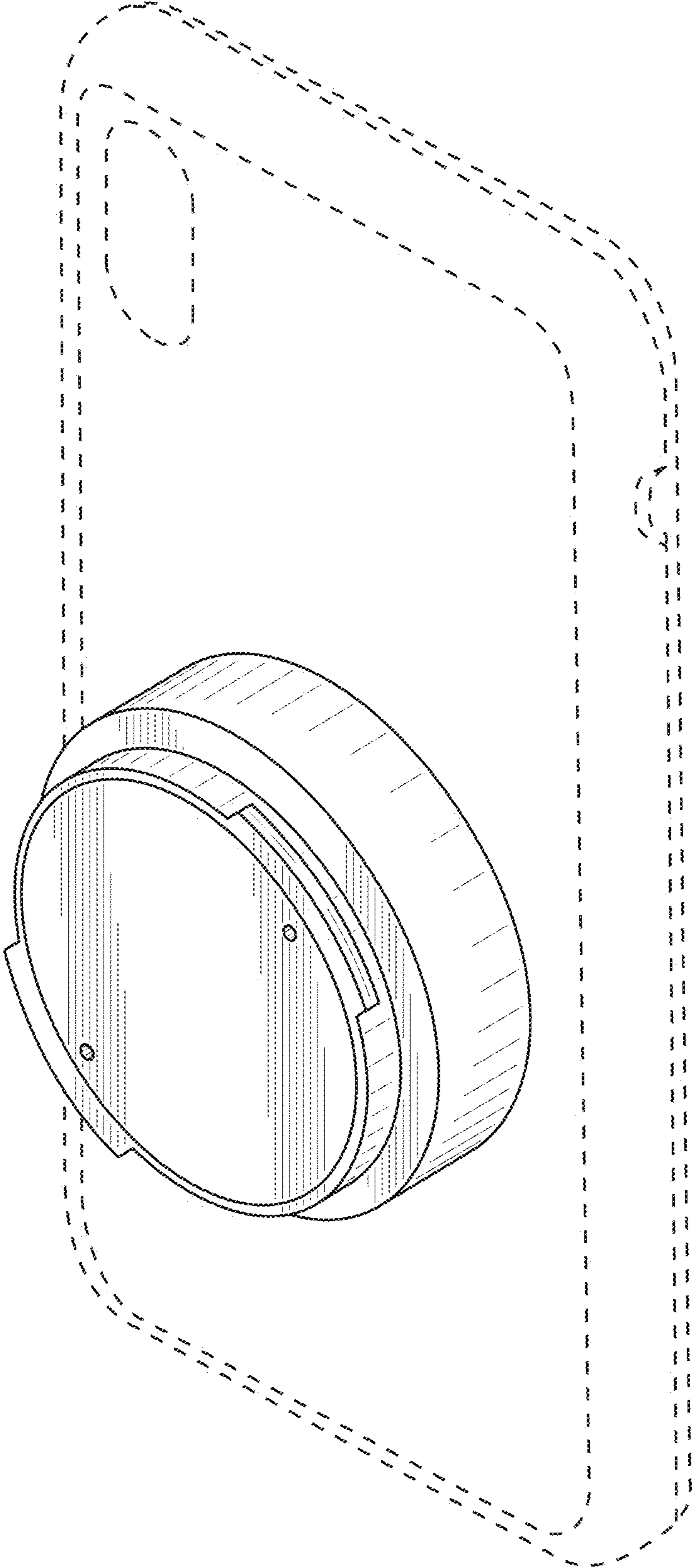


FIG. 8

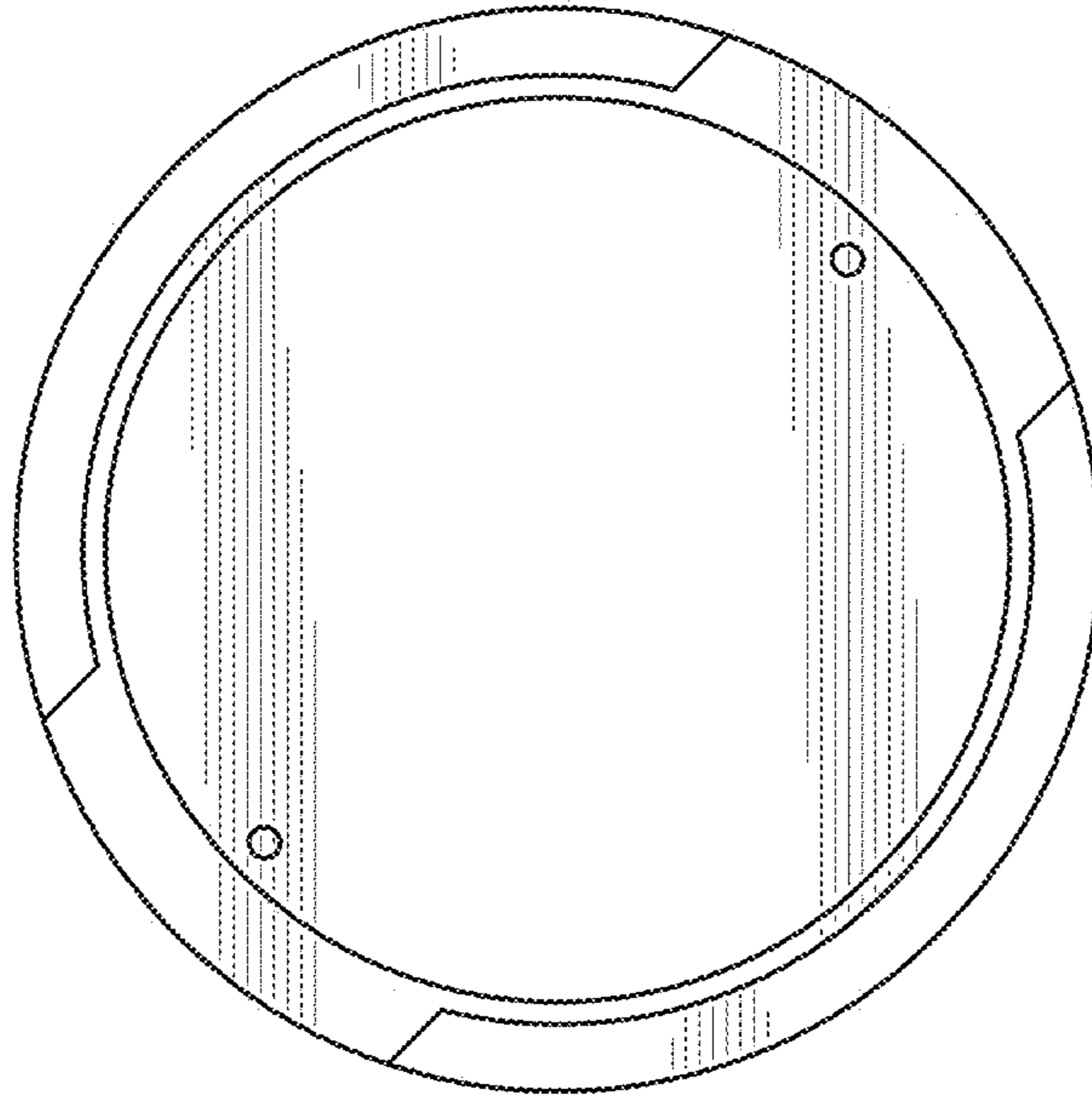


FIG. 9

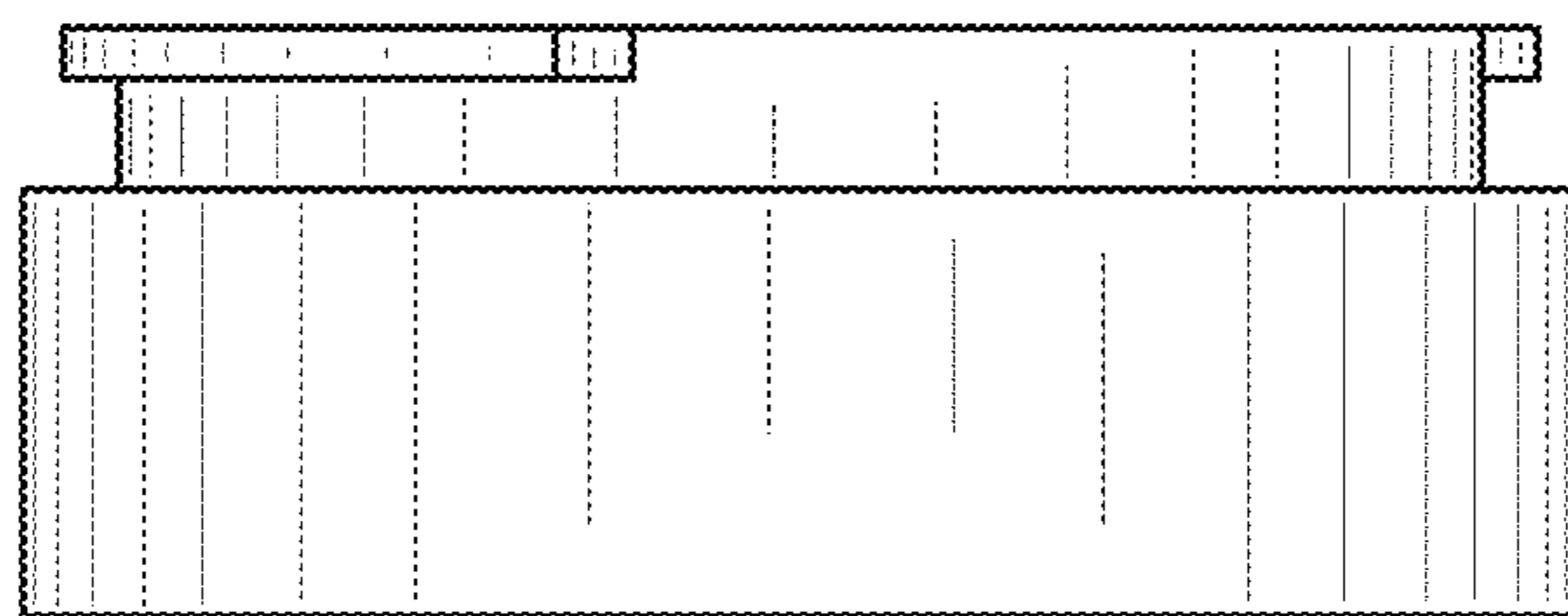


FIG. 10

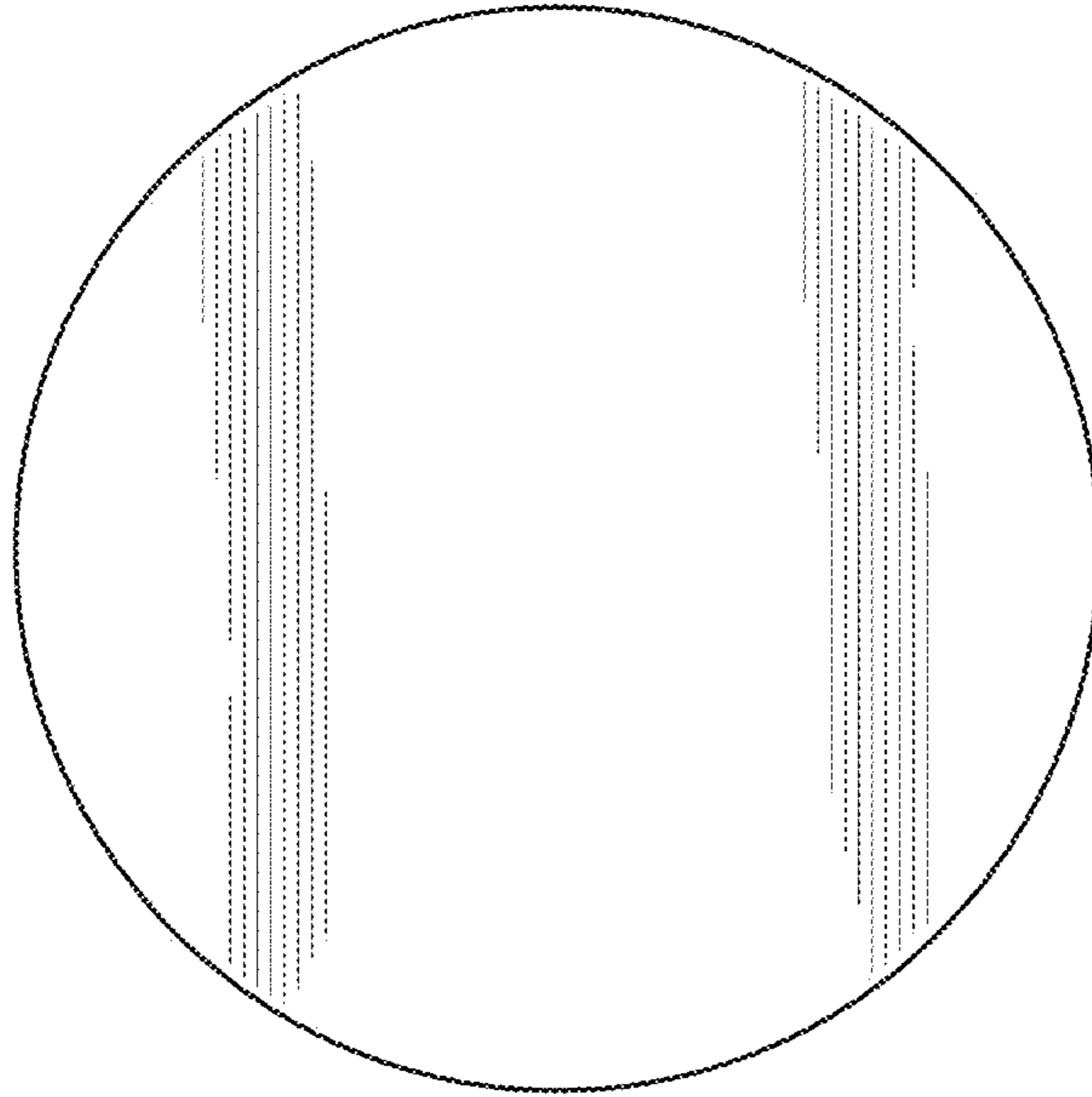


FIG. 11

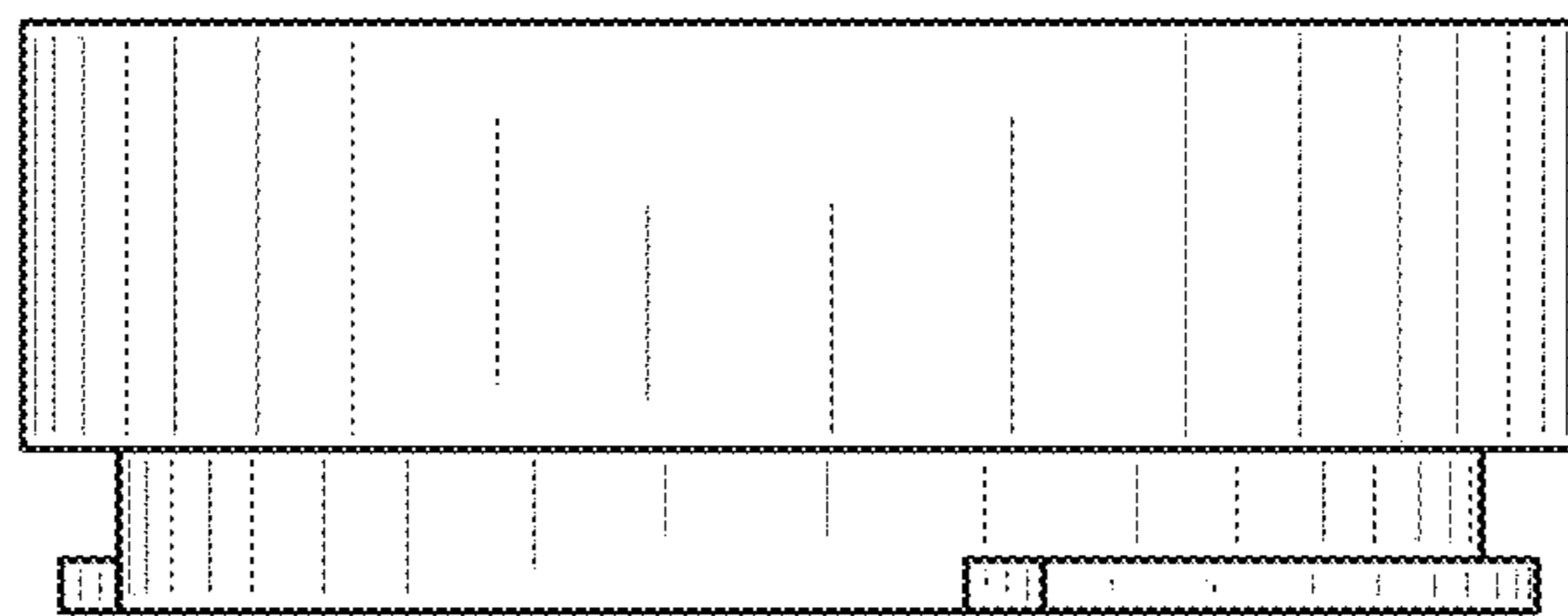


FIG. 12

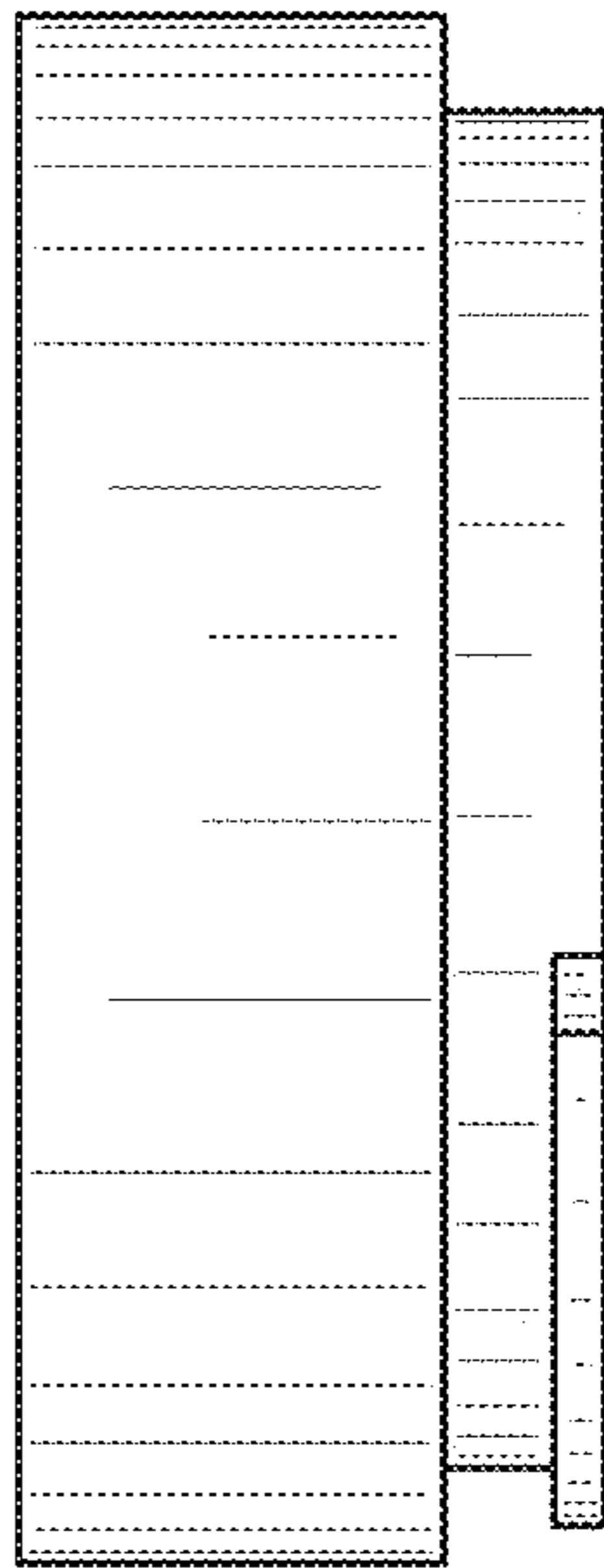


FIG. 13

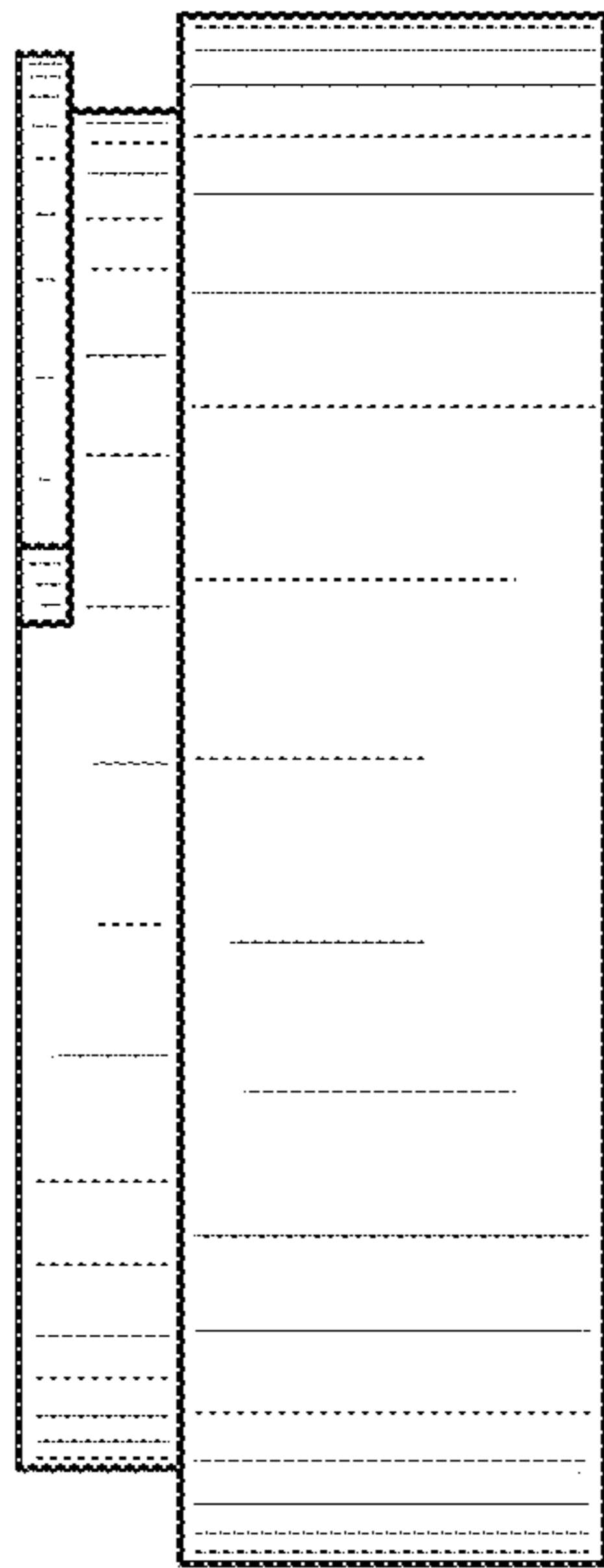


FIG. 14