



US00D948477S

(12) **United States Design Patent**
Lu

(10) **Patent No.:** **US D948,477 S**
(45) **Date of Patent:** **** Apr. 12, 2022**

(54) **EARPHONE**

(71) Applicant: **SHENZHEN QUANMENG TECHNOLOGY CO., LTD.**, Shenzhen (CN)

(72) Inventor: **Xiying Lu**, Yiyang (CN)

(73) Assignee: **SHENZHEN QUANMENG TECHNOLOGY CO., LTD.**, Shenzhen (CN)

(**) Term: **15 Years**

(21) Appl. No.: **29/784,488**

(22) Filed: **May 19, 2021**

(30) **Foreign Application Priority Data**

Mar. 16, 2021 (CN) 202130140637.1

(51) **LOC (13) Cl.** **14-01**

(52) **U.S. Cl.**
USPC **D14/206; D14/226**

(58) **Field of Classification Search**
USPC D14/206, 226, 225, 205; D24/174;
128/864-866; 381/380, 381, 374;
455/90.3, 575.1, 569.1
CPC H04R 25/00; H04R 25/02; H04R 1/10;
H04R 1/1066; H04R 1/1016; H04R
5/033; H04R 1/1083; H04R 19/04; H04R
11/04; H04R 1/1091
See application file for complete search history.

(56) **References Cited**

U.S. PATENT DOCUMENTS

D508,485 S * 8/2005 Katsumata D14/223
D510,082 S * 9/2005 Olson D14/206
D512,991 S * 12/2005 Yano D14/223
D517,054 S * 3/2006 Yang D14/205
D519,498 S * 4/2006 Ham D14/225

D526,313 S * 8/2006 Murray D14/223
7,089,042 B2 * 8/2006 Bodley H04M 1/05
381/370
D533,540 S * 12/2006 Murray D14/205
D538,792 S * 3/2007 Kim D14/223
D542,267 S * 5/2007 Cha D14/206
D555,151 S * 11/2007 Eklund D14/223
D555,153 S * 11/2007 Wilson D14/223
D566,105 S * 4/2008 Yang D14/223
D573,983 S * 7/2008 Bang D14/223
D574,366 S * 8/2008 Sade D14/223

(Continued)

FOREIGN PATENT DOCUMENTS

CN 305567878 * 1/2020
CN 307041709 * 12/2021

(Continued)

Primary Examiner — Paula Allen Greene

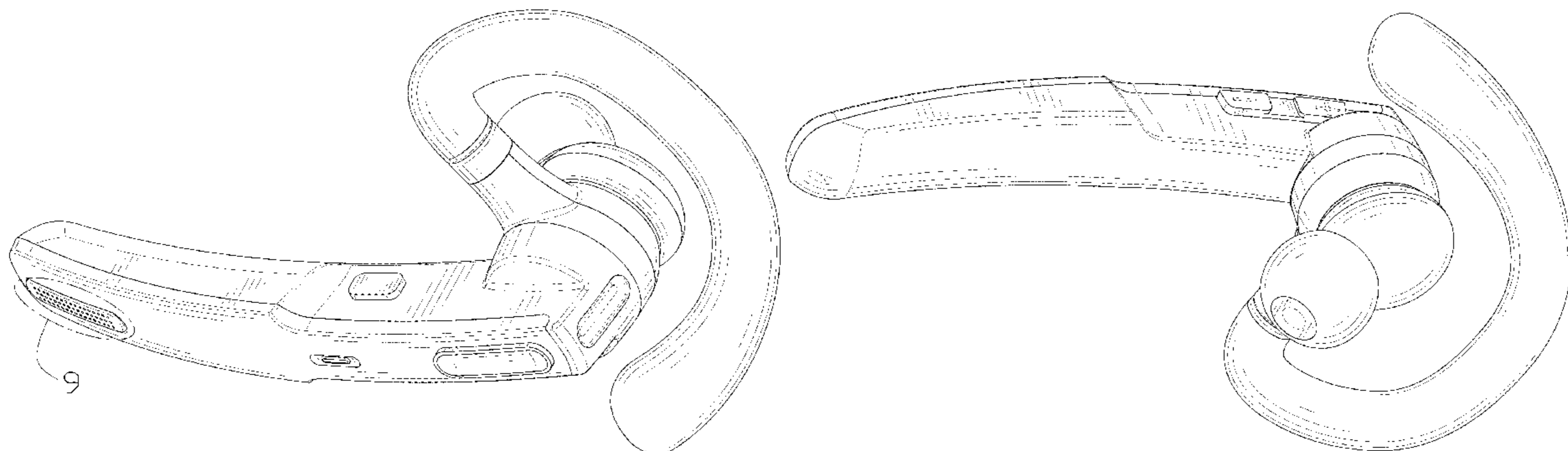
(57) **CLAIM**

The ornamental design for an earphone, as shown and described.

DESCRIPTION

FIG. 1 is a perspective view of an earphone showing my new design;
FIG. 2 is another perspective view thereof;
FIG. 3 is a front elevational view thereof;
FIG. 4 is a rear elevational view thereof;
FIG. 5 is a left side elevational view thereof;
FIG. 6 is a right side elevational view thereof;
FIG. 7 is a top plan view thereof;
FIG. 8 is a bottom plan view thereof; and,
FIG. 9 is an enlarged view of portion 9 shown in FIG. 1.
The broken lines in the drawings depict portions of the earphone that form no part of the claimed design.
The dot-dash-dot broken lines encircling portions of the earphone in FIG. 1 and illustrated in the enlarged view of FIG. 9 form no part of the claimed design.

1 Claim, 9 Drawing Sheets



(56)

References Cited

U.S. PATENT DOCUMENTS

D582,388 S * 12/2008 Nielsen D14/223
 D590,813 S * 4/2009 Bradford D14/223
 D603,372 S * 11/2009 Bentley D14/206
 8,265,328 B2 * 9/2012 Milde H04R 1/1066
 381/381
 D670,267 S * 11/2012 Maddern D14/206
 D681,014 S * 4/2013 Ham D14/206
 D717,767 S * 11/2014 Mistry D14/206
 D726,147 S * 4/2015 Tran D14/206
 D750,043 S * 2/2016 Birger D14/206
 9,307,311 B2 * 4/2016 Tran H04R 1/1066
 D784,290 S * 4/2017 Paterson D14/223
 D784,291 S * 4/2017 Paterson D14/206
 D789,331 S * 6/2017 Paterson D14/225
 D797,076 S * 9/2017 Zhang D14/206
 D809,486 S * 2/2018 Arimoto D14/223
 D809,487 S 2/2018 Lee et al.
 D812,040 S * 3/2018 Yan D14/206
 D814,444 S * 4/2018 Liu D14/223
 D815,069 S 4/2018 Xiong
 D817,935 S * 5/2018 Zukowski D14/228
 D828,327 S * 9/2018 Birger D14/206
 D830,337 S * 10/2018 Yan D14/206
 D838,688 S * 1/2019 Liu D14/206
 D850,408 S * 6/2019 Kawabata D14/206
 D851,065 S * 6/2019 Yan D14/206
 D855,036 S * 7/2019 Yan D14/206
 10,382,851 B1 * 8/2019 Smith H04R 1/1016
 D863,254 S * 10/2019 Hu D14/206

D872,707 S * 1/2020 Liu D14/206
 D879,068 S * 3/2020 Yan D14/206
 D883,259 S * 5/2020 Ma D14/206
 D883,951 S * 5/2020 Yan D14/206
 D886,798 S * 6/2020 Yan D14/206
 D900,784 S * 11/2020 Yan D14/206
 D903,634 S * 12/2020 Lu D14/206
 D903,635 S * 12/2020 Liu D14/206
 D913,263 S * 3/2021 Yang D14/206
 D924,201 S * 7/2021 Yan D14/206
 D926,152 S * 7/2021 Yan D14/206
 D926,730 S * 8/2021 Ke D14/223
 D929,968 S * 9/2021 Yan D14/223
 2005/0259812 A1 * 11/2005 Chen H04M 1/05
 379/431
 2009/0318081 A1 * 12/2009 Winter H04L 12/66
 381/104
 2013/0010997 A1 * 1/2013 Tanaka A61B 5/6817
 381/380
 2015/0237434 A1 * 8/2015 Tran H04R 1/1016
 381/380
 2016/0181718 A1 * 6/2016 Kann H01R 13/447
 439/142

FOREIGN PATENT DOCUMENTS

EM 008671234-0001 * 9/2021
 GB 6158267 * 9/2021
 JP D1693311 * 8/2021
 JP D1694261 * 8/2021

* cited by examiner

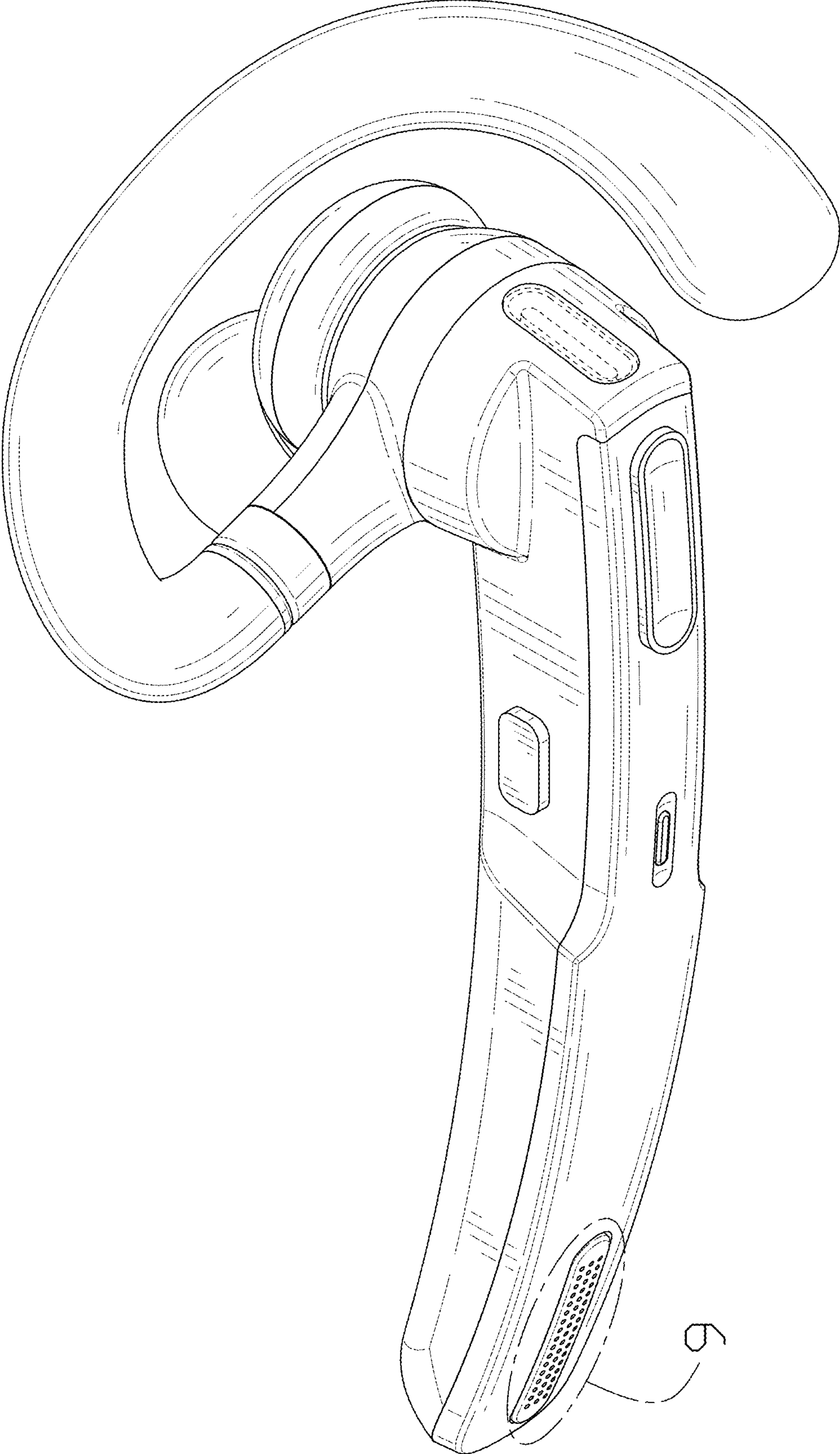


FIG. 1

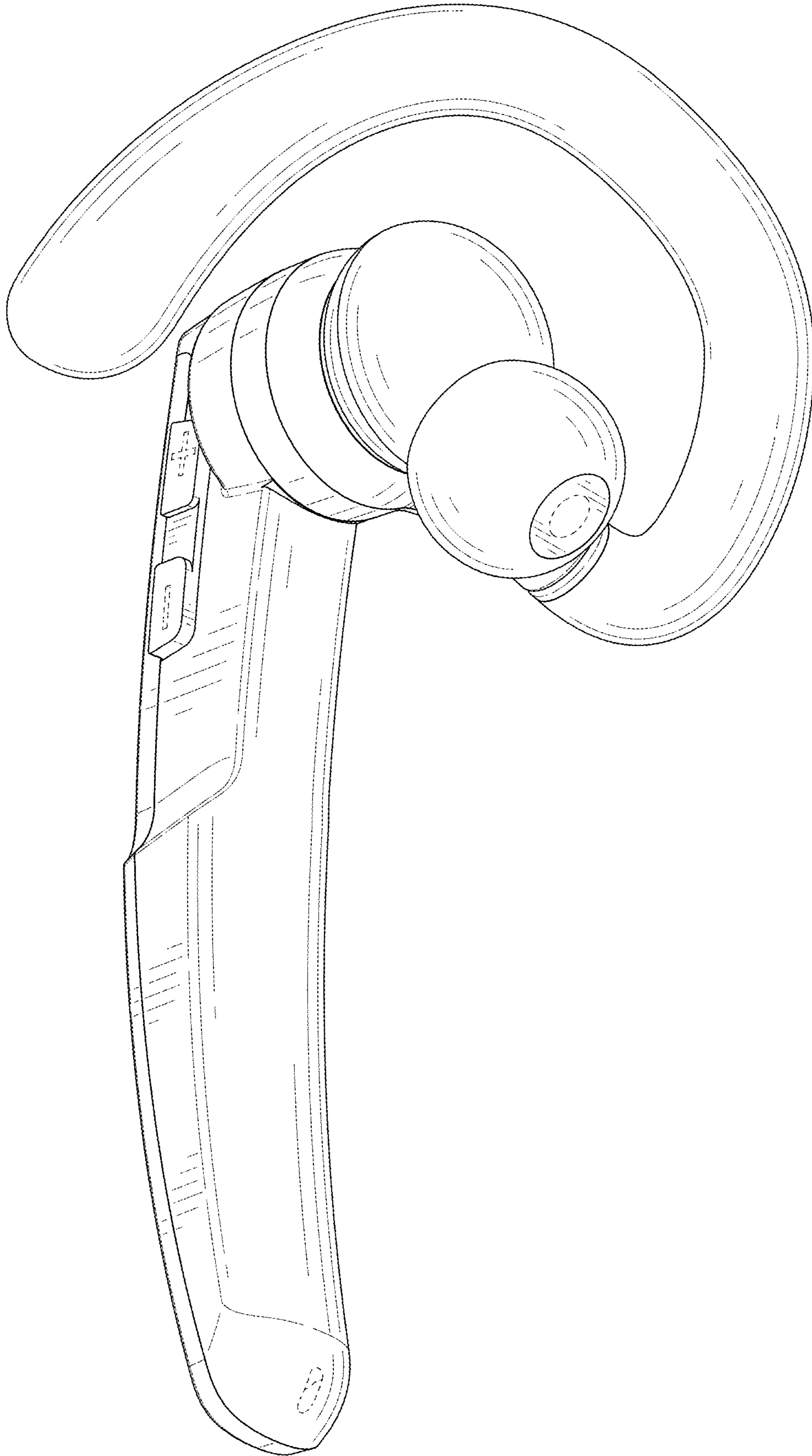


FIG. 2

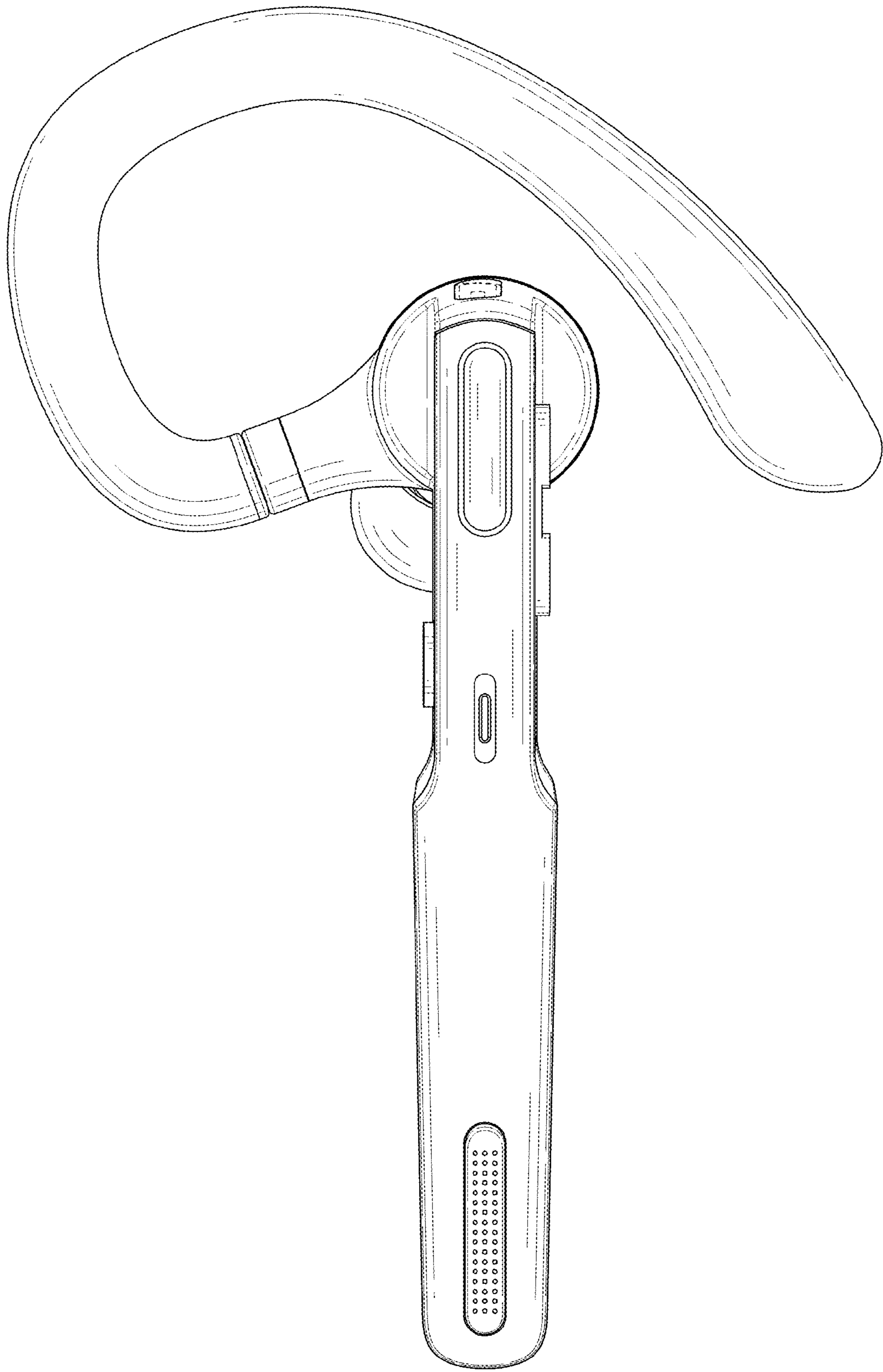


FIG. 3

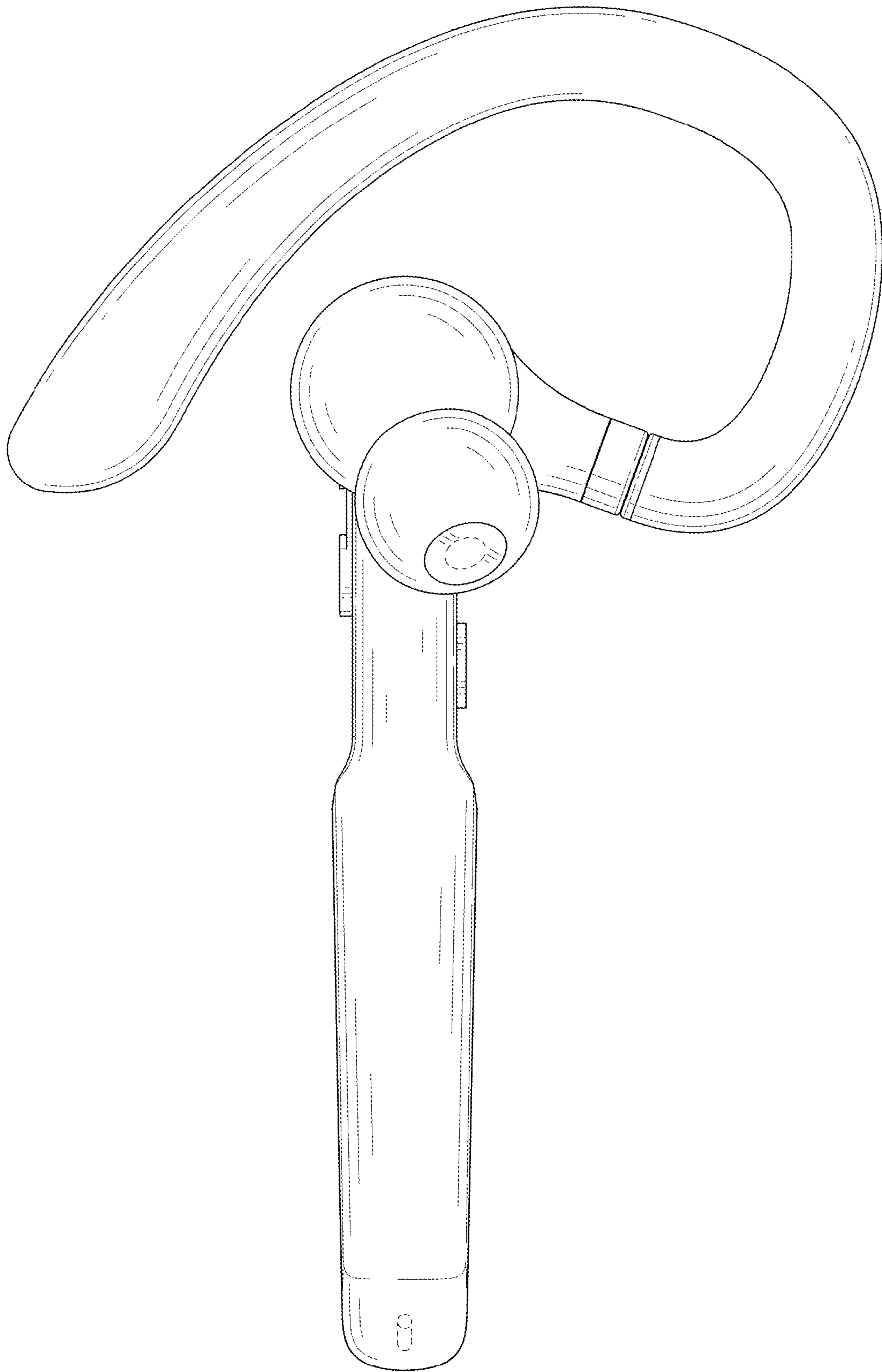


FIG. 4

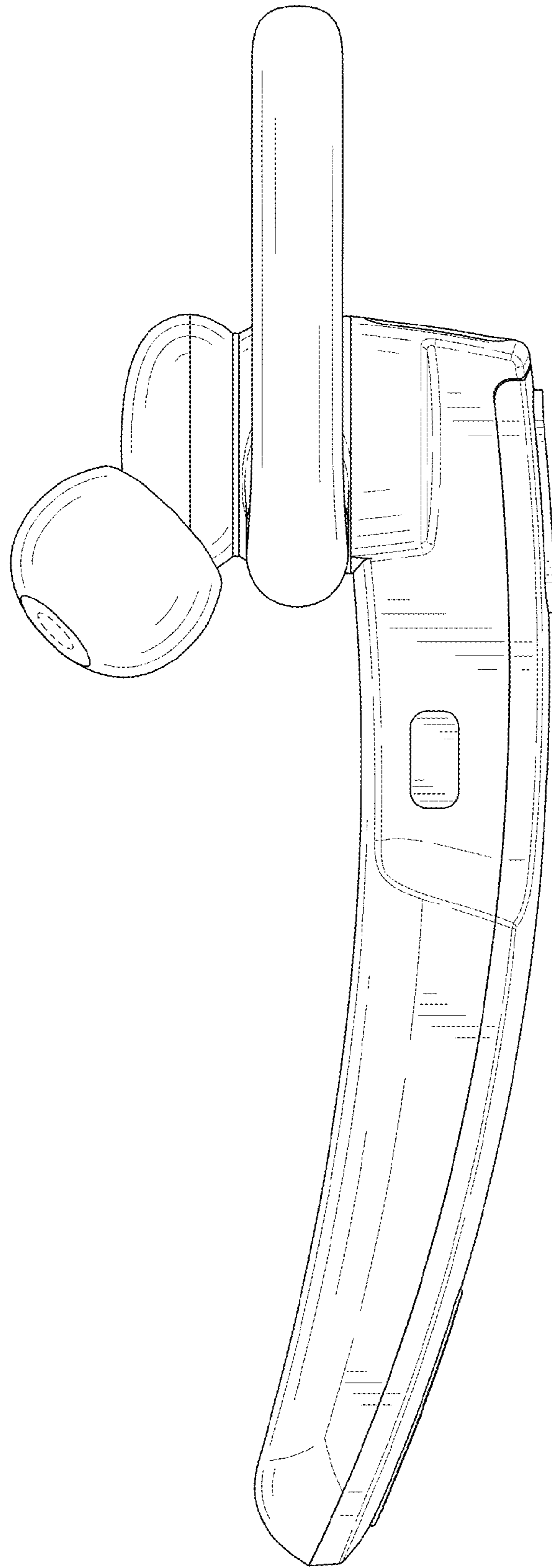


FIG. 5

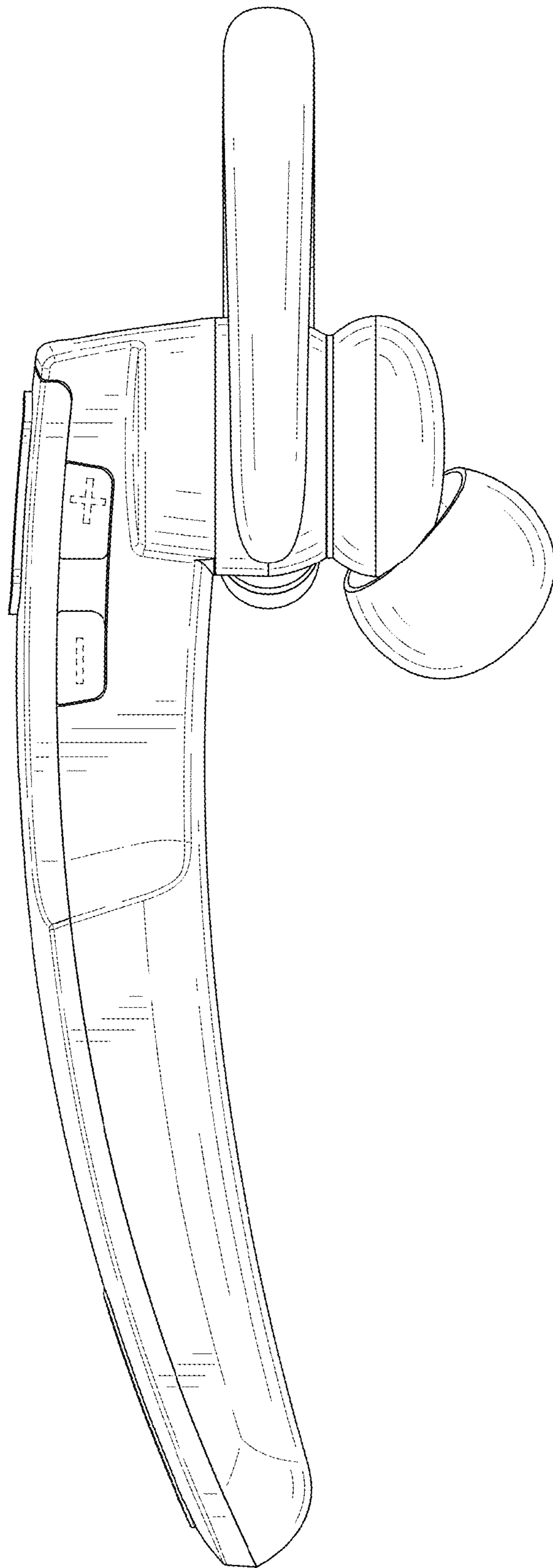


FIG. 6

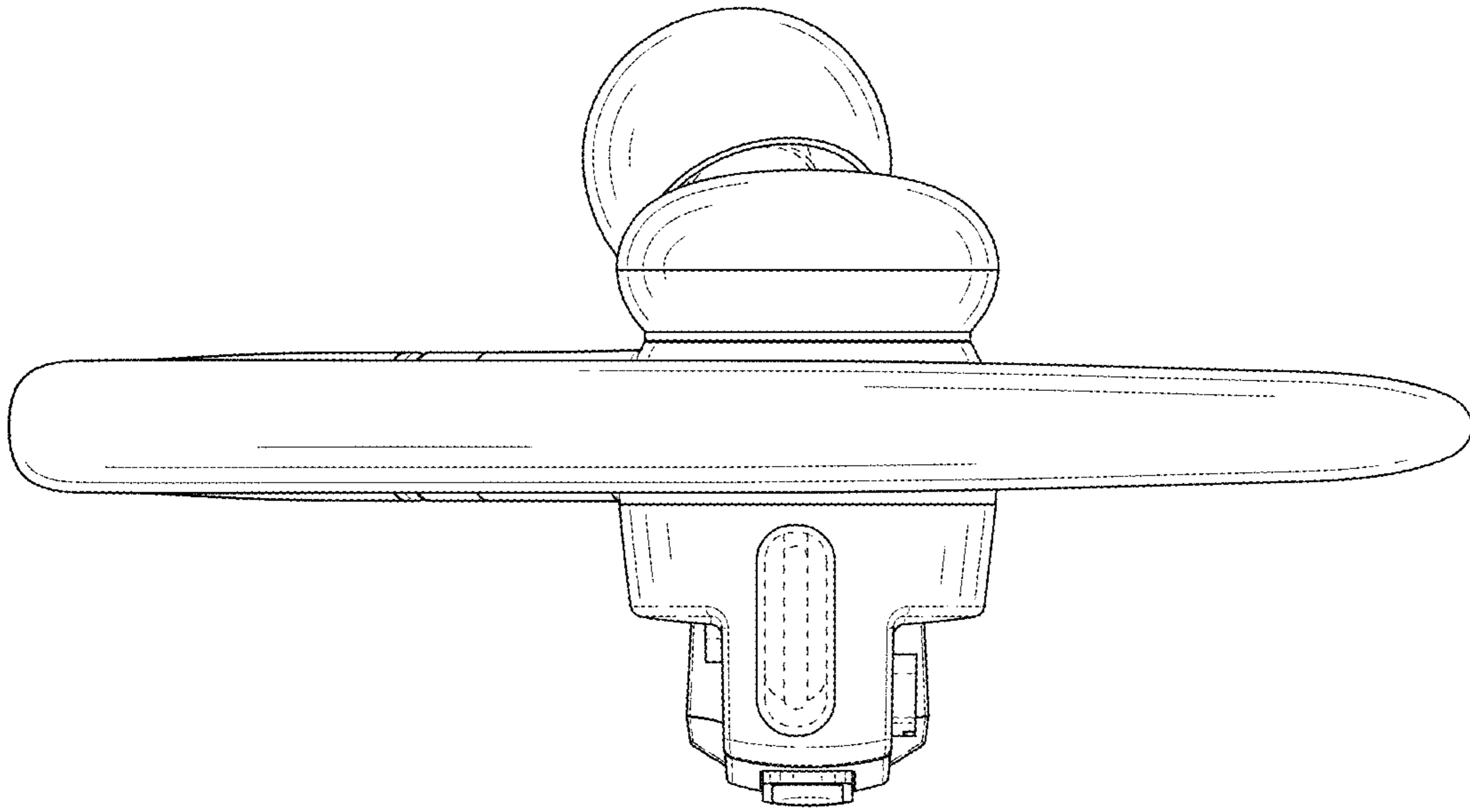


FIG. 7

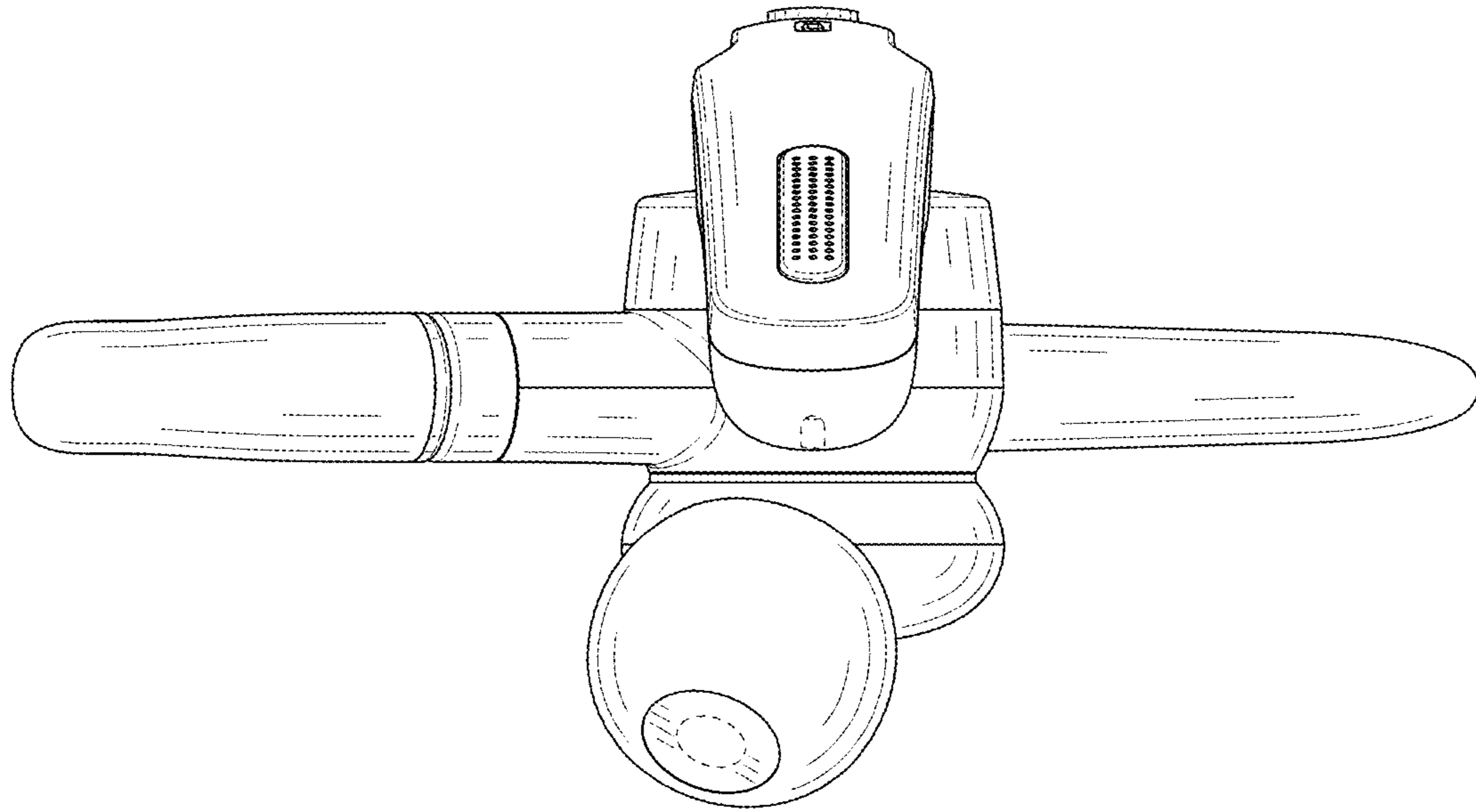


FIG. 8

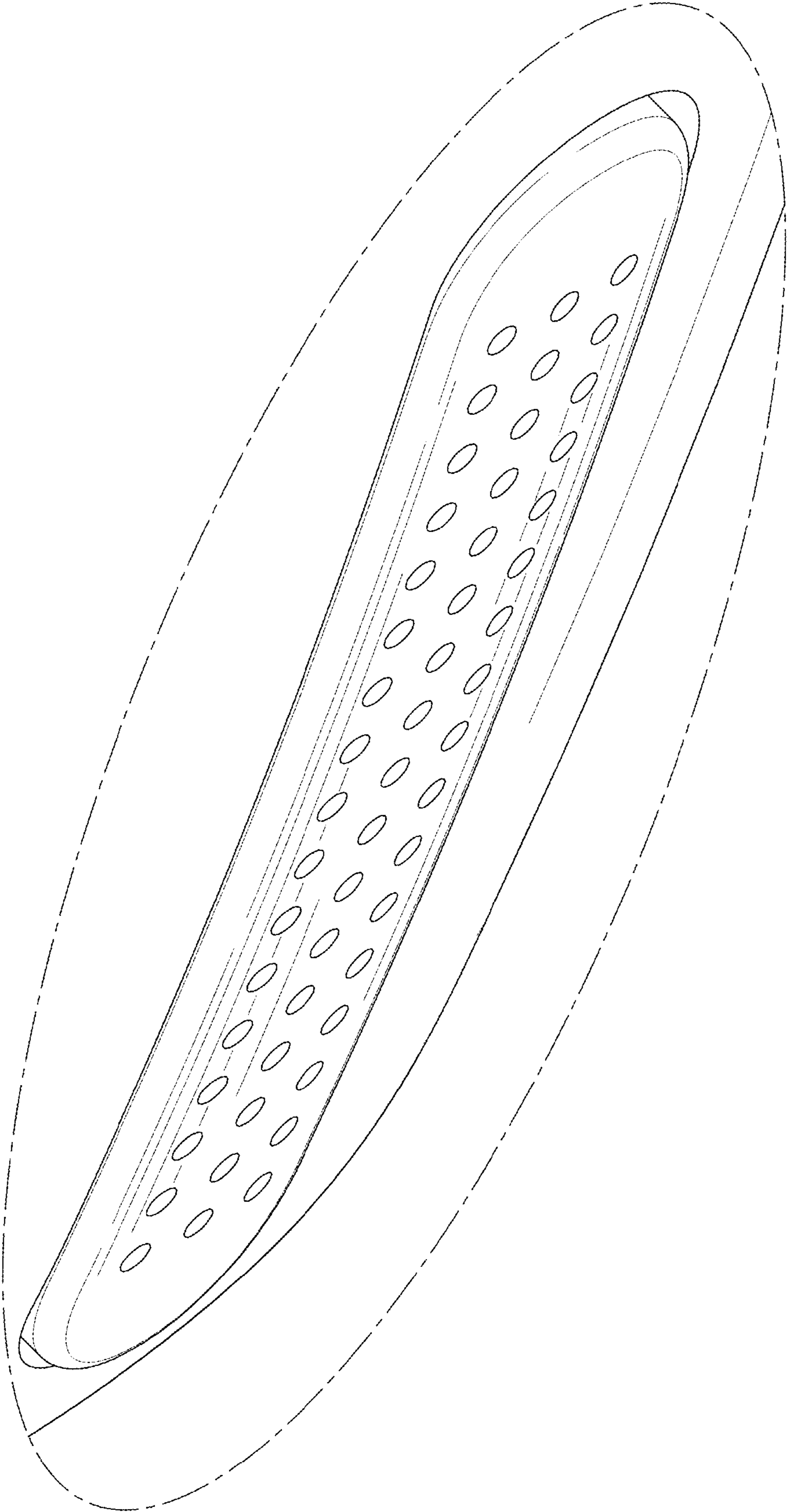


FIG. 9