



US00D948474S

(12) **United States Design Patent**
Zhou

(10) **Patent No.:** **US D948,474 S**

(45) **Date of Patent:** **** Apr. 12, 2022**

- (54) **EARPHONE**
- (71) Applicant: **Yuzhi Zhou**, Hunan (CN)
- (72) Inventor: **Yuzhi Zhou**, Hunan (CN)
- (73) Assignee: **GuangDong Kotion Electroacoustic Technology Co., Ltd.**, Dongguan (CN)
- (**) Term: **15 Years**
- (21) Appl. No.: **29/739,630**
- (22) Filed: **Jun. 27, 2020**
- (51) **LOC (13) Cl.** **14-01**
- (52) **U.S. Cl.**
USPC **D14/206; D14/226**
- (58) **Field of Classification Search**
USPC D14/206, 226, 188, 192; D29/112;
2/209; 381/380-381, 374; 362/105-106;
455/90.3, 575.1, 569.1
CPC H04R 25/00; H04R 25/02; H04R 1/1016;
H04R 1/1066; H04R 5/033; H04R
5/0335; H04R 19/04; H04R 11/04; H04R
1/1008; G02B 27/017; G09G 5/00
See application file for complete search history.

- 5,960,094 A * 9/1999 Jensen H04R 1/1066
381/381
- D446,786 S * 8/2001 Nakahara D14/248
- 6,295,366 B1 * 9/2001 Haller H04R 5/0335
379/430
- 6,449,806 B1 * 9/2002 Engelhard H04R 5/0335
381/376
- D602,908 S * 10/2009 Ham D14/206
- D641,727 S * 7/2011 Krauss D14/206
- D713,375 S * 9/2014 Dedinas D14/206
- 9,036,849 B2 * 5/2015 Thompson H04R 1/083
381/370
- D733,677 S * 7/2015 Ling D14/206
- D745,859 S * 12/2015 Kiuchi D14/205
- D752,018 S * 3/2016 Gondo D14/205

(Continued)

FOREIGN PATENT DOCUMENTS

- CN 304297224 * 9/2017
- CN 306745830 * 8/2021

(Continued)

Primary Examiner — Paula Allen Greene

(74) *Attorney, Agent, or Firm* — Justin Lampel

(57) **CLAIM**

The ornamental design for earphone, as shown and described.

(56) **References Cited**

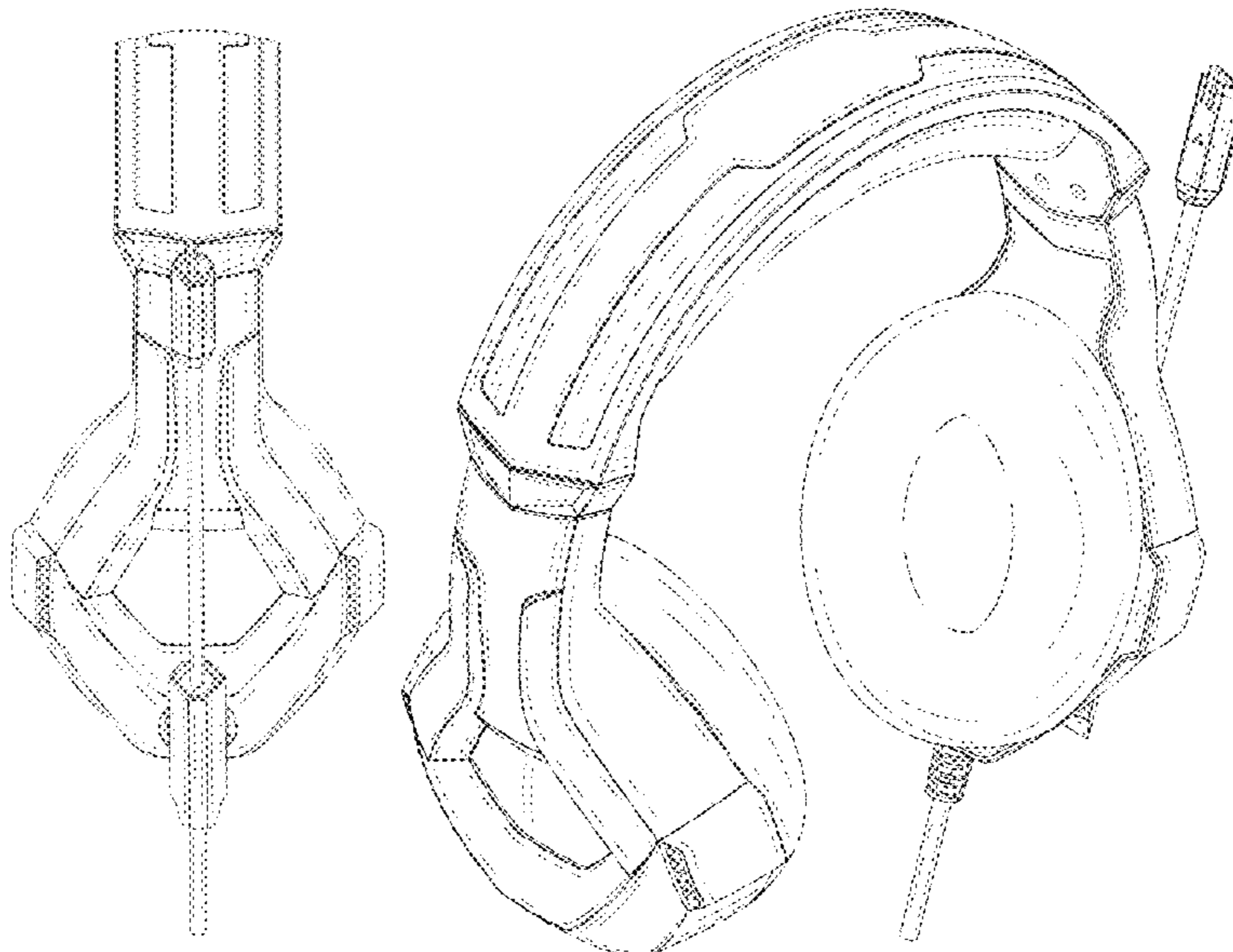
U.S. PATENT DOCUMENTS

- 3,488,457 A * 1/1970 Lahti H04R 1/1008
381/376
- D233,444 S * 10/1974 Christian D14/206
- 3,841,858 A * 10/1974 Akashi C03C 17/002
65/181
- 4,754,484 A * 6/1988 Larkin H04M 1/05
381/384
- 5,708,725 A * 1/1998 Ito H04R 5/0335
381/385
- 5,793,878 A * 8/1998 Chang H04R 5/0335
D14/206
- D409,599 S * 5/1999 Tattari D14/249

DESCRIPTION

FIG. 1 is a front elevational view thereof;
 FIG. 2 is a rear elevational view thereof;
 FIG. 3 is a left side view thereof;
 FIG. 4 is a right side view thereof;
 FIG. 5 is a top plan view thereof.
 FIG. 6 is a bottom plan view thereof; and,
 FIG. 7 is a perspective view of a earphone showing my new design.
 The broken lines depict portions of the earphone that form no part of the claimed design.

1 Claim, 6 Drawing Sheets



(56)

References Cited

U.S. PATENT DOCUMENTS

D769,219 S * 10/2016 Ohmachi D14/205
 D788,071 S * 5/2017 Logan D14/205
 D791,734 S * 7/2017 Ou D14/206
 D808,359 S * 1/2018 Meyer D14/206
 D815,614 S * 4/2018 Tzeng D14/206
 D824,360 S * 7/2018 Hsieh D14/205
 D824,362 S * 7/2018 Probst D14/206
 D831,000 S * 10/2018 Chong D14/206
 D841,620 S * 2/2019 Liu D14/206
 D845,927 S * 4/2019 Wang D14/206
 D851,063 S * 6/2019 Deng D14/206
 D851,064 S * 6/2019 Wang D14/206
 D856,967 S * 8/2019 Tang D14/206
 D856,968 S * 8/2019 Tang D14/206
 D856,969 S * 8/2019 Tang D14/206
 D856,970 S * 8/2019 Tang D14/206
 D856,971 S * 8/2019 Tang D14/206
 D857,656 S * 8/2019 Ipsen D14/206
 D866,515 S * 11/2019 Long D14/206
 D868,734 S * 12/2019 Wang D14/206
 D870,696 S * 12/2019 Deng D14/206
 D870,698 S * 12/2019 Long D14/206
 D875,711 S * 2/2020 Long D14/205
 D880,450 S * 4/2020 Liu D14/206
 D883,950 S * 5/2020 Liu D14/206
 D891,399 S * 7/2020 Chen D14/206

D894,869 S * 9/2020 Tang D14/206
 D907,004 S * 1/2021 Zhou D14/206
 D909,337 S * 2/2021 Liu D14/206
 D910,596 S * 2/2021 Shen D14/206
 D916,681 S * 4/2021 He D14/206
 D924,842 S * 7/2021 Chan D14/206
 D931,831 S * 9/2021 Liu D14/206
 D935,441 S * 11/2021 Liu D14/206
 D935,442 S * 11/2021 Liu D14/206
 D940,100 S * 1/2022 Xie D14/206
 D941,802 S * 1/2022 He D14/206
 D941,803 S * 1/2022 He D14/206
 2010/0040252 A1 * 2/2010 Thompson H04R 1/083
 381/375
 2011/0135134 A1 * 6/2011 Essabar H04R 1/1033
 381/374
 2011/0194721 A1 * 8/2011 Schmidt H04R 1/1066
 381/370
 2017/0359645 A1 * 12/2017 Chen H04B 1/385
 2020/0288234 A1 * 9/2020 Fletcher H04R 1/1066

FOREIGN PATENT DOCUMENTS

CN 306933929 * 11/2021
 CN 306941781 * 11/2021
 EM 004134674-0001 * 8/2017
 EM 306885678 * 10/2021

* cited by examiner



FIG.1



FIG.2

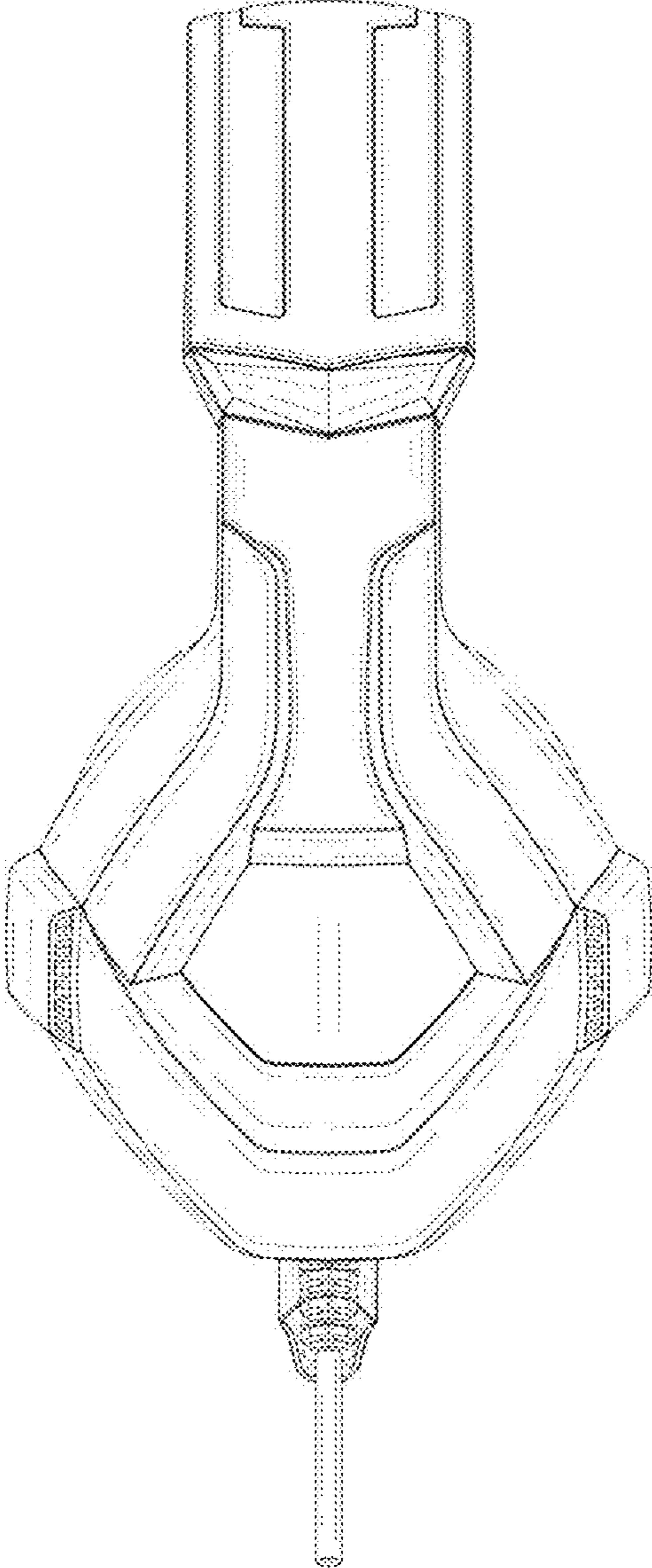


FIG.3

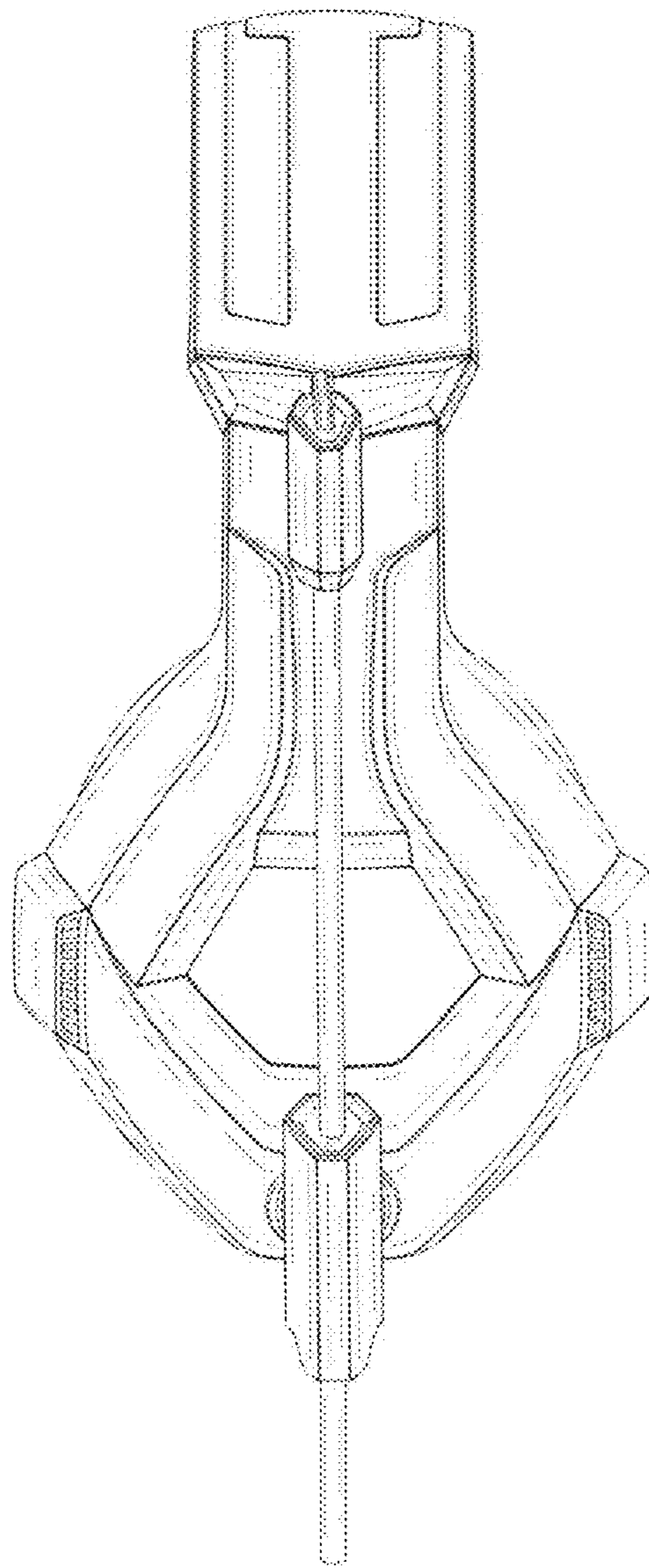


FIG.4

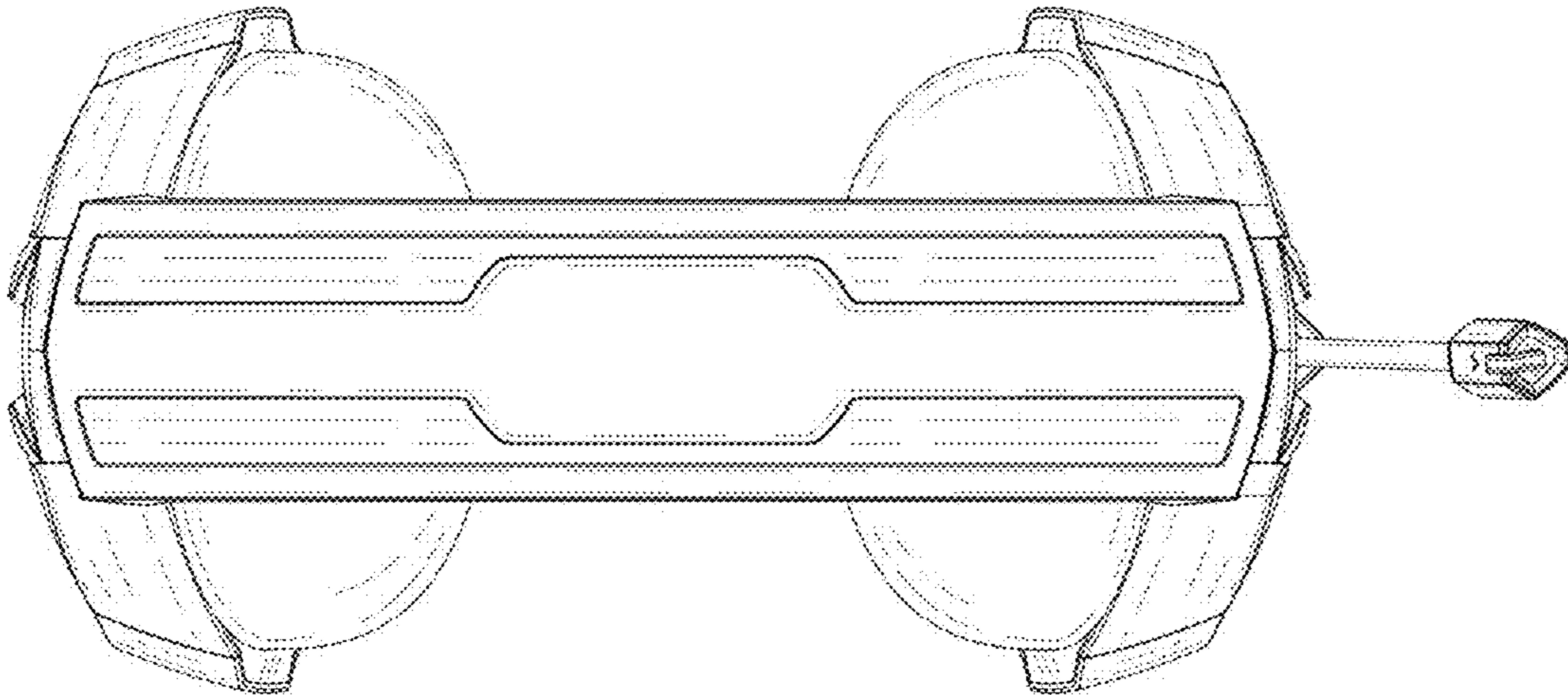


FIG. 5

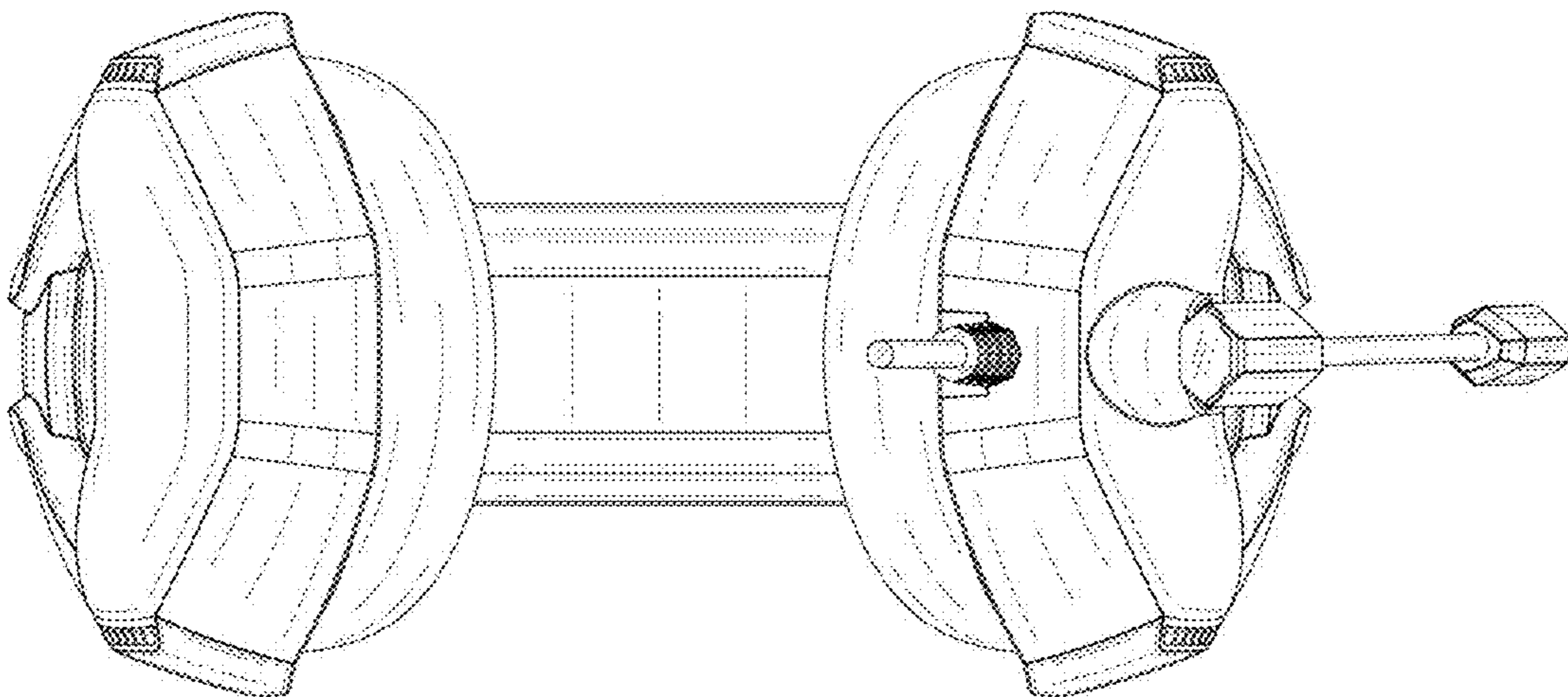


FIG. 6

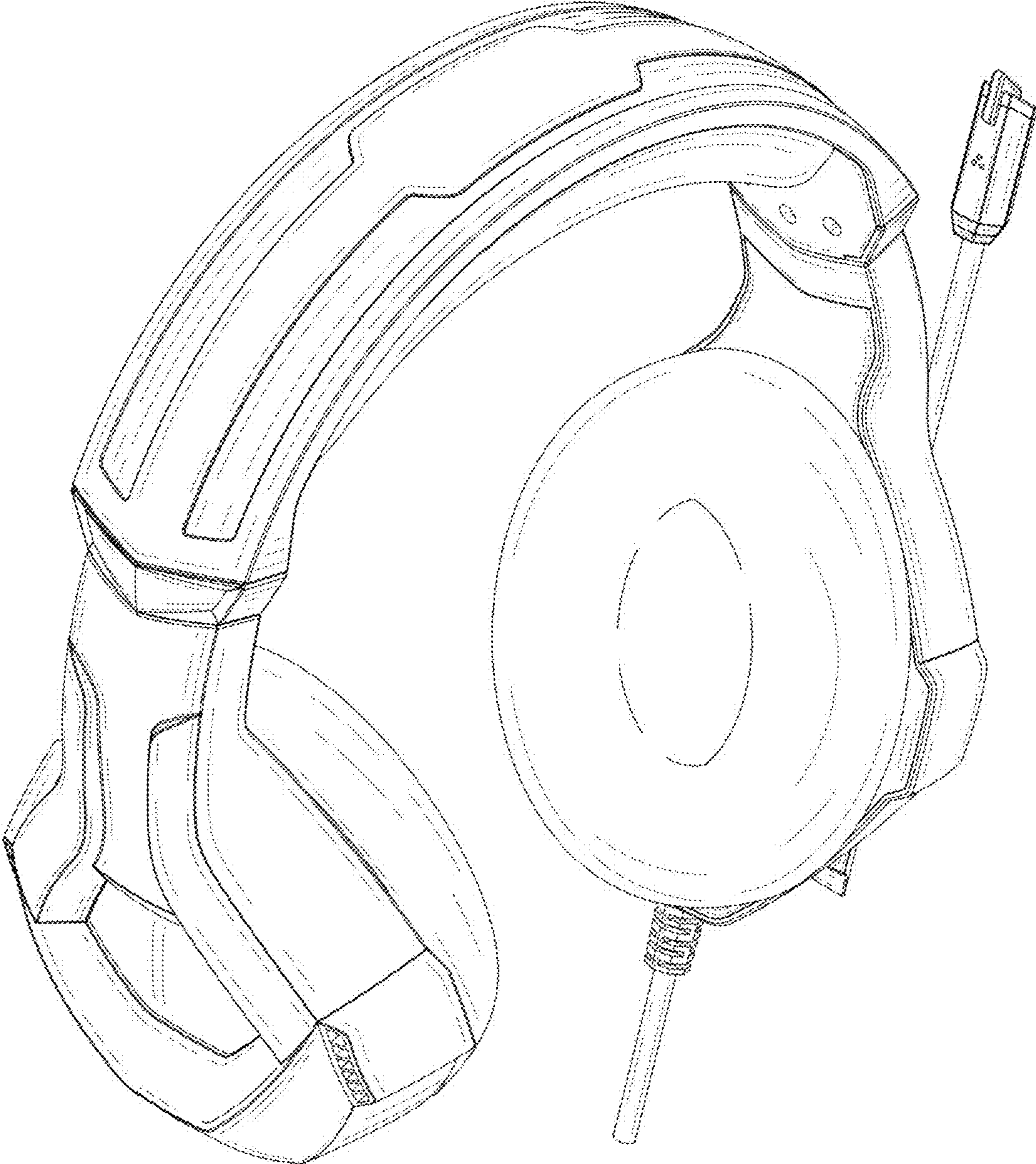


FIG.7