



US00D948473S

(12) **United States Design Patent**
Zhou

(10) **Patent No.:** **US D948,473 S**

(45) **Date of Patent:** **** Apr. 12, 2022**

- (54) **EARPHONE**
- (71) Applicant: **Yuzhi Zhou**, Hunan (CN)
- (72) Inventor: **Yuzhi Zhou**, Hunan (CN)
- (73) Assignee: **GuangDong Kotion Electroacoustic Technology Co., Ltd.**, Dongguan (CN)
- (**) Term: **15 Years**
- (21) Appl. No.: **29/739,628**
- (22) Filed: **Jun. 27, 2020**
- (51) **LOC (13) Cl.** **14-01**
- (52) **U.S. Cl.**
USPC **D14/206; D14/226**
- (58) **Field of Classification Search**
USPC D14/206, 223, 188, 192, 168, 249;
D29/112; 2/209; 381/380–381, 374;
455/90.3, 575.1, 569.1
CPC H04R 25/00; H04R 25/02; H04R 1/1016;
H04R 5/033; H04R 5/0335; H04R 19/04;
H04R 1/1091; H04R 1/105; H04R
1/1058; G02B 27/017; G09G 5/00
See application file for complete search history.

(56) **References Cited**

U.S. PATENT DOCUMENTS

- 8,139,807 B2 * 3/2012 Reiss H04R 1/1058
381/375
- 8,443,467 B2 * 5/2013 Chiang A61F 11/06
2/209
- 8,559,665 B2 * 10/2013 Schmidt H04M 1/05
381/370
- D713,375 S * 9/2014 Dedinas D14/206
- D723,509 S * 3/2015 Garland D14/205
- 9,038,849 B2 * 5/2015 Most C08K 5/053
220/626
- D733,677 S * 7/2015 Ling D14/206
- D766,208 S * 9/2016 Paterson D14/205

- D788,071 S * 5/2017 Logan D14/205
- D791,734 S * 7/2017 Ou D14/206
- D800,092 S * 10/2017 Paterson D14/206
- D815,614 S * 4/2018 Tzeng D14/206
- D820,813 S * 6/2018 Sharp D14/206
- D824,362 S * 7/2018 Probst D14/206
- D841,620 S * 2/2019 Liu D14/206
- D845,927 S * 4/2019 Wang D14/206
- D856,969 S * 8/2019 Tang D14/206
- D859,355 S * 9/2019 Hu D14/206
- D868,734 S * 12/2019 Wang D14/206
- D883,950 S * 5/2020 Liu D14/206
- D885,683 S * 5/2020 Qiu D29/112
- D891,398 S * 7/2020 Chen D14/206
- D894,869 S * 9/2020 Tang D14/206
- D909,337 S * 2/2021 Liu D14/206
- D935,439 S * 11/2021 Zheng D14/206

(Continued)

FOREIGN PATENT DOCUMENTS

- CN 304297224 * 9/2017
- CN 306745830 * 8/2021

(Continued)

Primary Examiner — Paula Allen Greene

(74) *Attorney, Agent, or Firm* — Justin Lampel

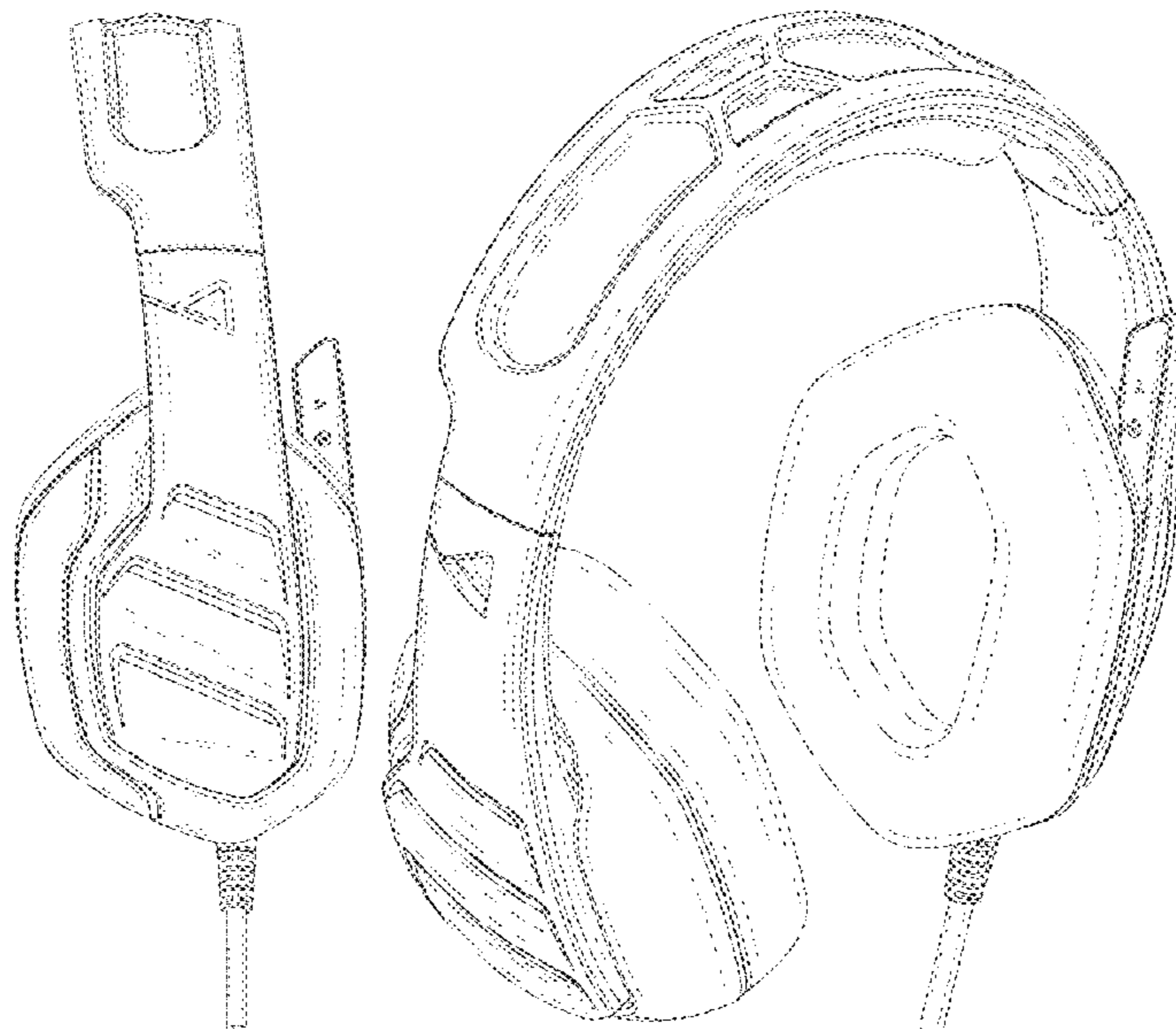
(57) **CLAIM**

The ornamental design for earphone, as shown and described.

DESCRIPTION

FIG. 1 is a front elevational view thereof;
FIG. 2 is a rear elevational view thereof;
FIG. 3 is a left side view thereof;
FIG. 4 is a right side view thereof;
FIG. 5 is a top plan view thereof.
FIG. 6 is a bottom plan view thereof; and,
FIG. 7 is a perspective view of a earphone showing my new design.

1 Claim, 6 Drawing Sheets



(56)

References Cited

U.S. PATENT DOCUMENTS

D937,808 S * 12/2021 Liu D14/206
D940,099 S * 1/2022 Zheng D14/206
D941,802 S * 1/2022 He D14/206
2001/0017925 A1* 8/2001 Ceravolo H04M 1/05
381/370
2010/0040252 A1* 2/2010 Thompson H04R 1/083
381/375
2011/0135134 A1* 6/2011 Essabar H04R 1/1033
381/374
2011/0194721 A1* 8/2011 Schmidt H04R 1/1066
381/370

FOREIGN PATENT DOCUMENTS

CN 306885678 * 10/2021
CN 306933929 * 11/2021
CN 306941781 * 11/2021
EM 004134674-0001 * 8/2017

* cited by examiner



FIG. 1



FIG.2

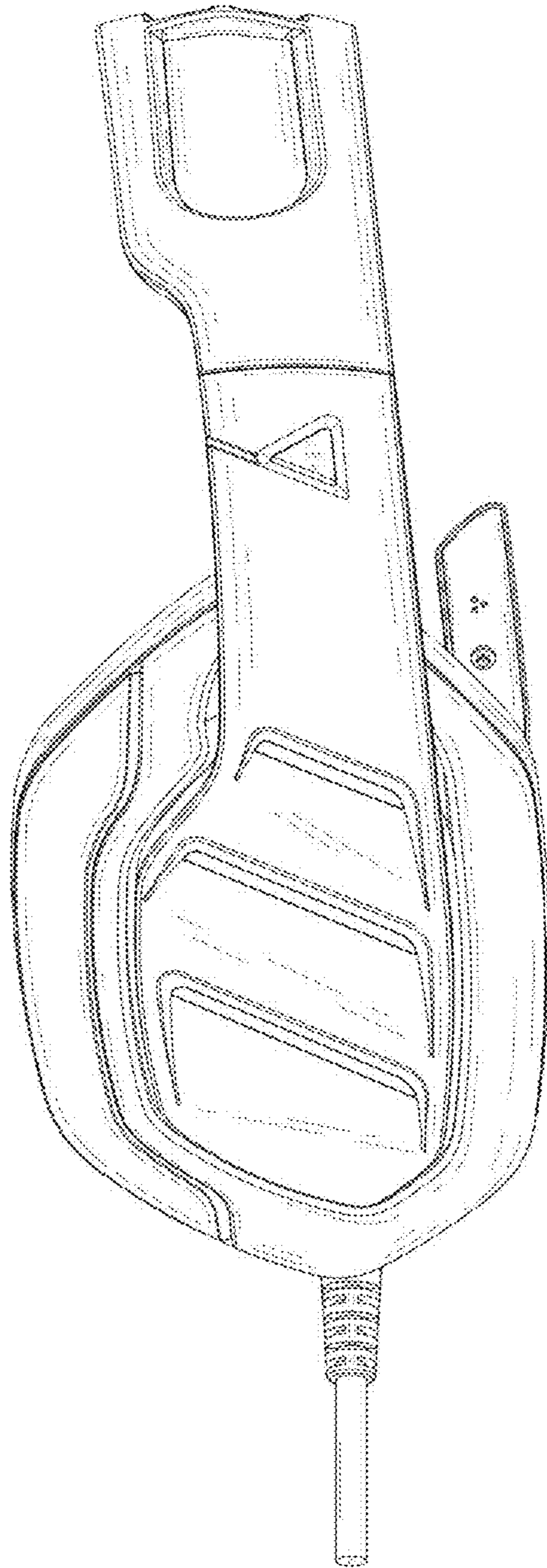


FIG.3

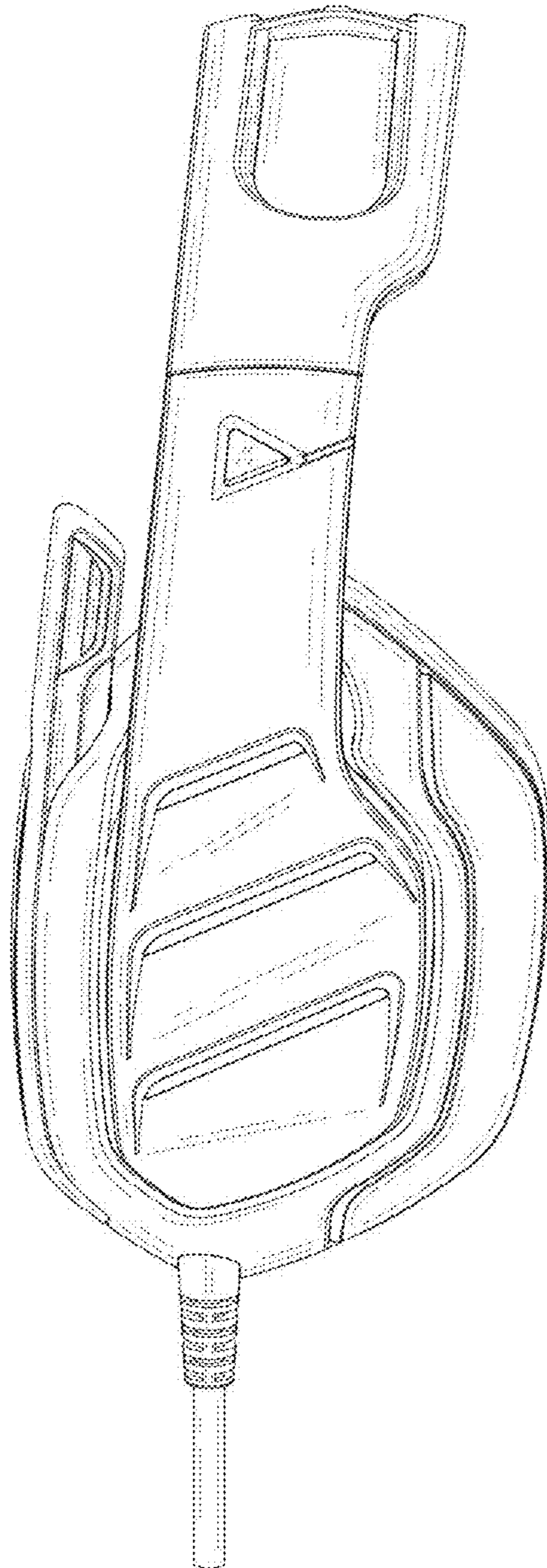


FIG.4

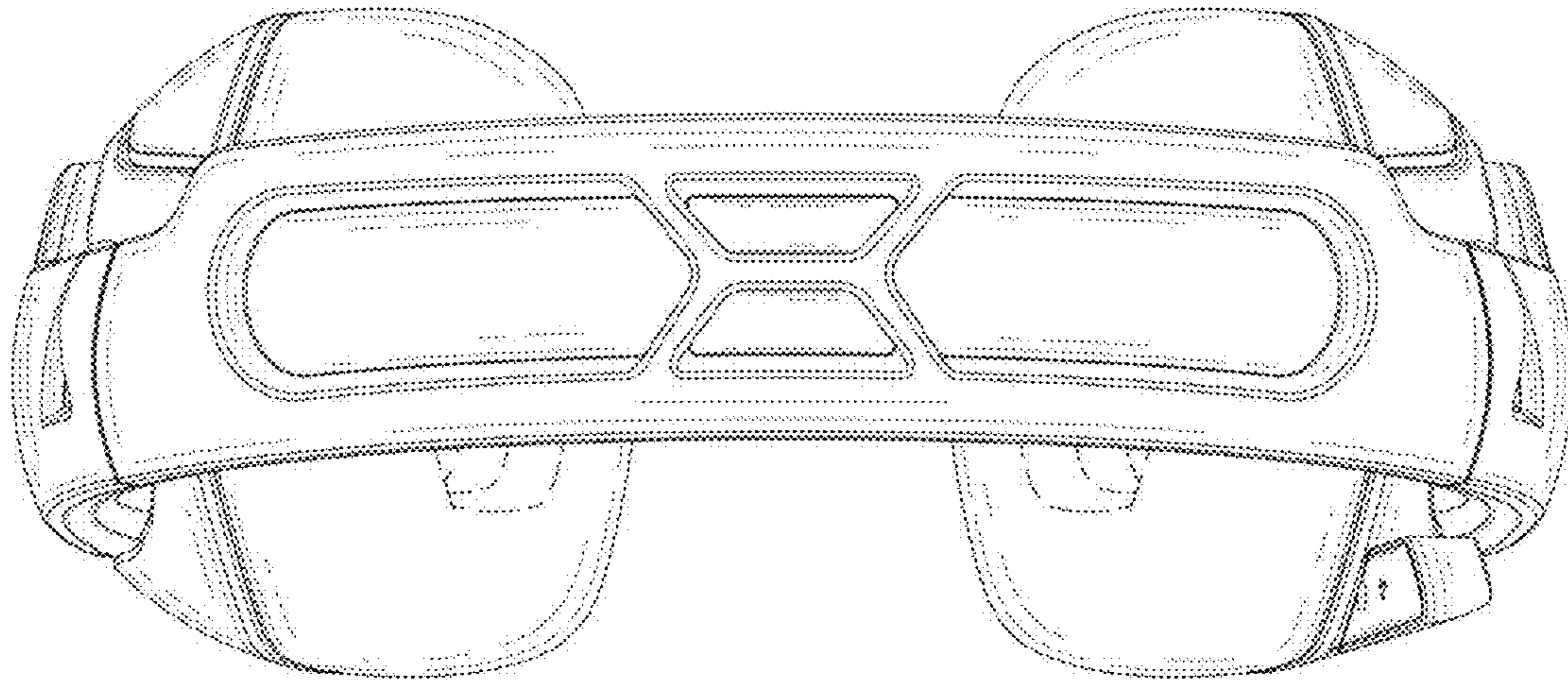


FIG.5

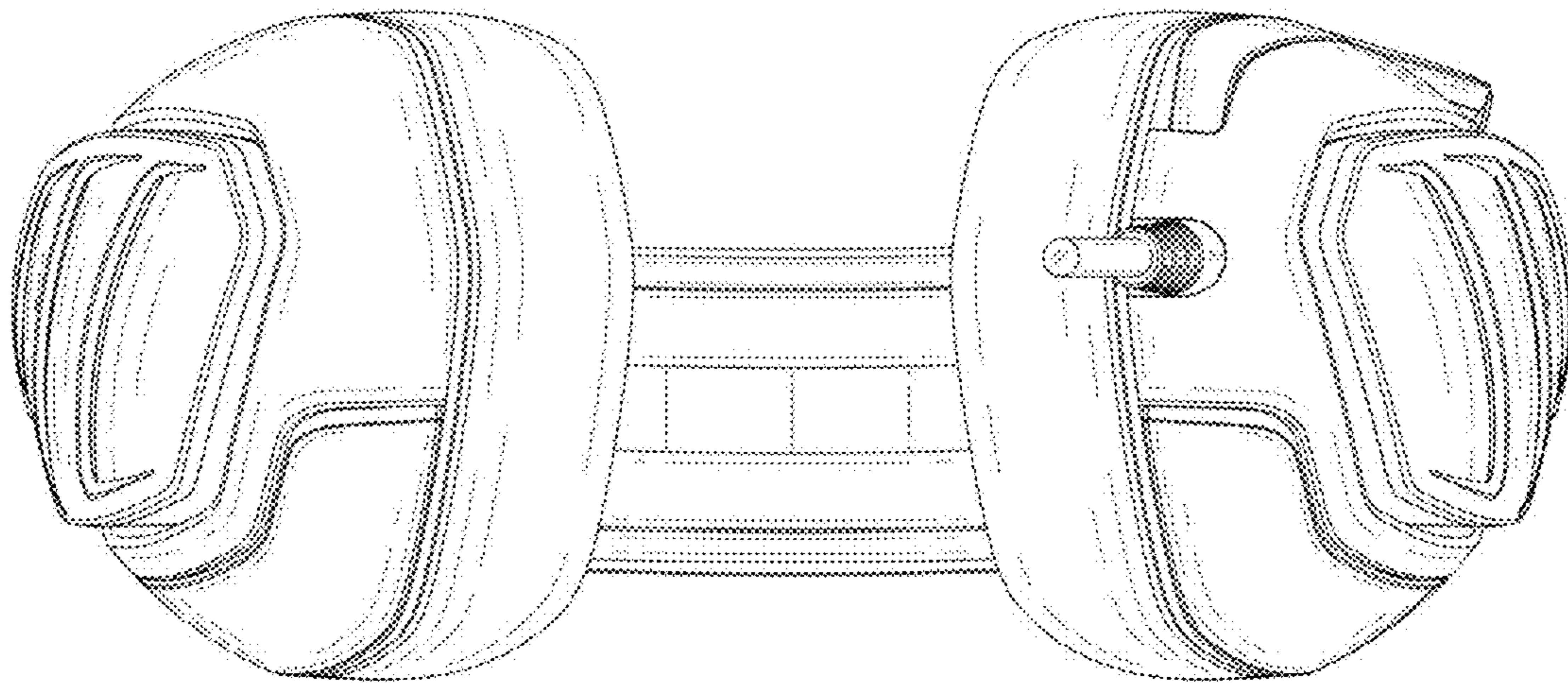


FIG.6

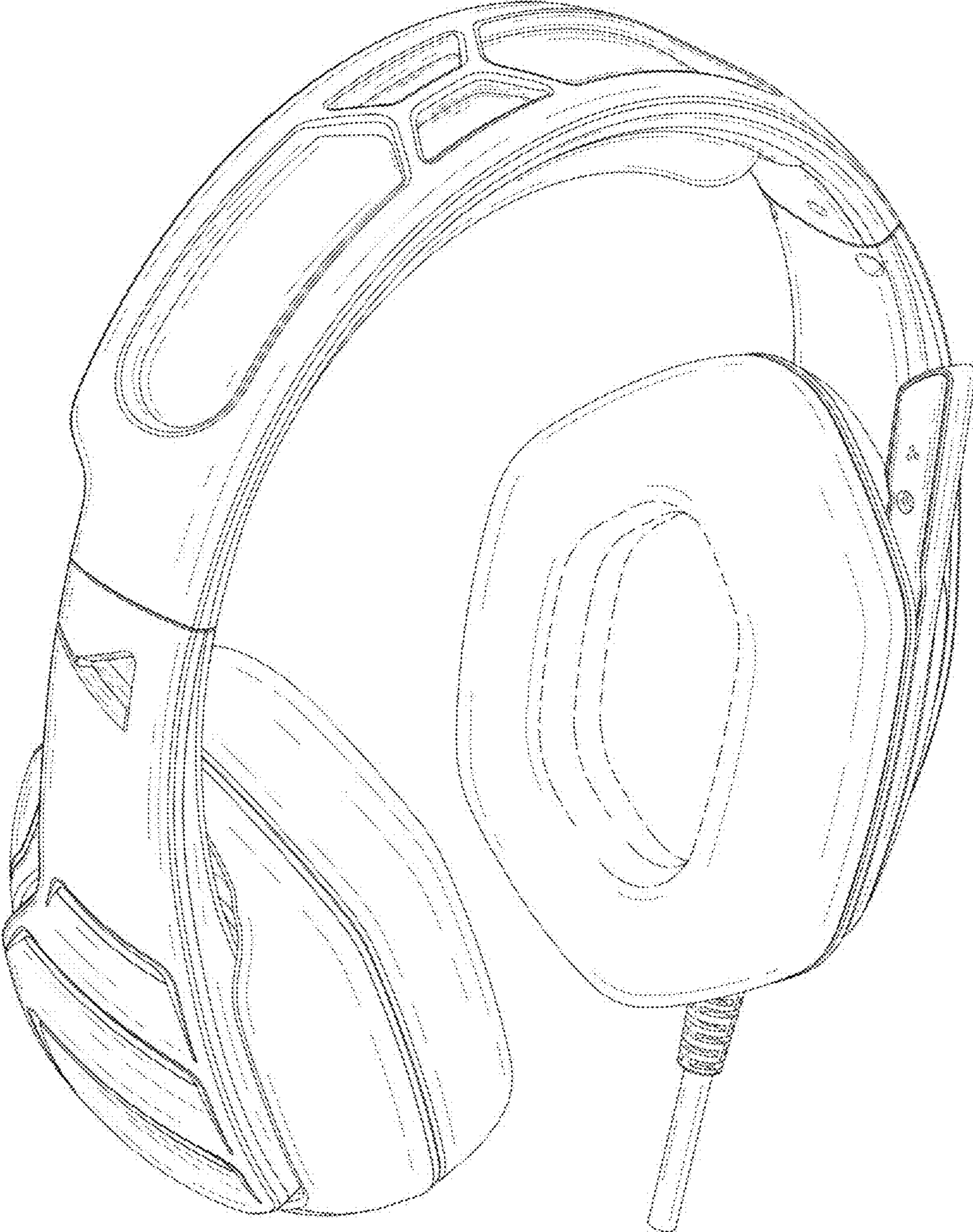


FIG. 7