



US00D948471S

(12) **United States Design Patent**
Lin et al.

(10) **Patent No.:** **US D948,471 S**
(45) **Date of Patent:** **** Apr. 12, 2022**

(54) **HEADPHONE**
(71) Applicant: **Acer Incorporated**, New Taipei (TW)
(72) Inventors: **Li Lin**, New Taipei (TW); **Ker-Wei Lin**, New Taipei (TW); **Chun-Ta Chen**, New Taipei (TW); **Chun-Yu Chen**, New Taipei (TW); **Hao-Ming Chang**, New Taipei (TW); **Feng-Ming Liu**, New Taipei (TW)

(73) Assignee: **Acer Incorporated**, New Taipei (TW)

(**) Term: **15 Years**

(21) Appl. No.: **29/722,990**

(22) Filed: **Feb. 4, 2020**

(30) **Foreign Application Priority Data**

Aug. 12, 2019 (TW) 108304779

(51) **LOC (13) Cl.** **14-01**

(52) **U.S. Cl.**
USPC **D14/205**

(58) **Field of Classification Search**
USPC D14/205, 188, 192; D29/112; 2/209;
381/380, 381, 374, 74; 455/90.3, 575.1,
455/569.1
CPC H04R 1/1066; H04R 1/1016; H04R 5/033;
H04R 5/0335; H04R 25/00; H04R 25/02;
H04R 1/1008; H04R 1/1083; H04R
1/1091
See application file for complete search history.

(56) **References Cited**

U.S. PATENT DOCUMENTS

2,149,341 A * 3/1939 Harrison H04R 1/1066
381/379
D203,677 S * 2/1966 Spillman D14/205
D229,833 S * 1/1974 Woodbury D14/205

4,133,053 A * 1/1979 Lundin H04R 1/1058
2/209
4,572,323 A * 2/1986 Randall A61F 11/14
181/129
D313,092 S * 12/1990 Nilsson D14/205
D410,466 S * 6/1999 Mouri D14/205
D449,034 S * 10/2001 Weikel D14/205
6,611,963 B2 * 9/2003 Woo A61F 11/14
2/209
6,678,897 B2 * 1/2004 Lindgren A61F 11/14
181/129
D560,654 S * 1/2008 Feng D14/205
D570,825 S * 6/2008 Schultz D14/205
D620,474 S * 7/2010 Komiyama D14/205
7,766,120 B2 * 8/2010 Hansson A61F 11/14
181/129

(Continued)

FOREIGN PATENT DOCUMENTS

EM 002117663-0002 * 10/2012
EM 002246249-0001 * 5/2013

(Continued)

Primary Examiner — Paula Allen Greene

(74) *Attorney, Agent, or Firm* — JCIPRNET

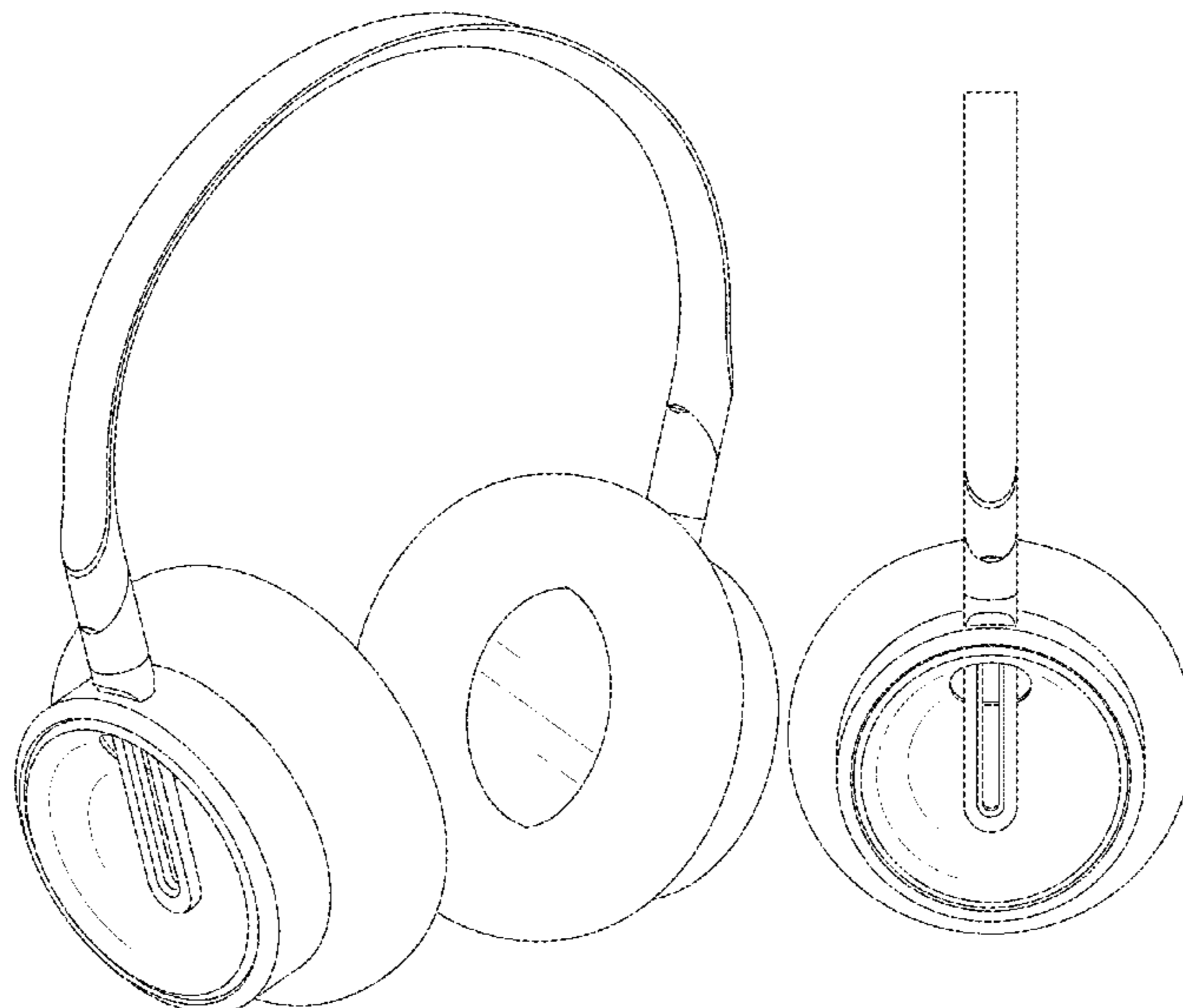
(57) **CLAIM**

The ornamental design for a headphone, as shown and described.

DESCRIPTION

FIG. 1 is a perspective view of a headphone showing our new design;
FIG. 2 is another perspective view thereof;
FIG. 3 is a front view thereof;
FIG. 4 is a rear view thereof;
FIG. 5 is a left side view thereof;
FIG. 6 is a right side view thereof;
FIG. 7 is a top view thereof; and,
FIG. 8 is a bottom view thereof.

1 Claim, 7 Drawing Sheets



(56)

References Cited

U.S. PATENT DOCUMENTS

D650,356	S	*	12/2011	Alden	D14/205
D657,345	S	*	4/2012	Brunner	H04R 5/033
						D14/205
D663,717	S	*	7/2012	Hutchieson	D14/206
D695,263	S	*	12/2013	Mogili	D14/205
D700,590	S	*	3/2014	Heath	D14/205
D704,163	S	*	5/2014	Brunner	H04R 5/033
						D14/205
D724,560	S	*	3/2015	Galler	D14/205
D736,176	S	*	8/2015	Rapitsch	D14/205
D740,254	S	*	10/2015	Huang	D14/205
D768,111	S	*	10/2016	Nam	D14/205
D802,556	S	*	11/2017	Galler	D14/205
D810,718	S	*	2/2018	Galler	D14/205
D840,969	S	*	2/2019	Dryden	D14/205
D840,973	S	*	2/2019	Dryden	D14/205
D854,513	S	*	7/2019	Miyake	D14/205
D870,064	S	*	12/2019	Petersen	D14/205
D878,327	S	*	3/2020	Dhondt	D14/205
D901,438	S	*	11/2020	Reiten	D14/205
2014/0177884	A1	*	6/2014	Minarik	H04R 1/1041
						381/309

FOREIGN PATENT DOCUMENTS

EM	004473536-0003	*	11/2017
GB	6093445	*	6/2020
JP	D1461587	*	1/2013

* cited by examiner



FIG. 1



FIG. 2

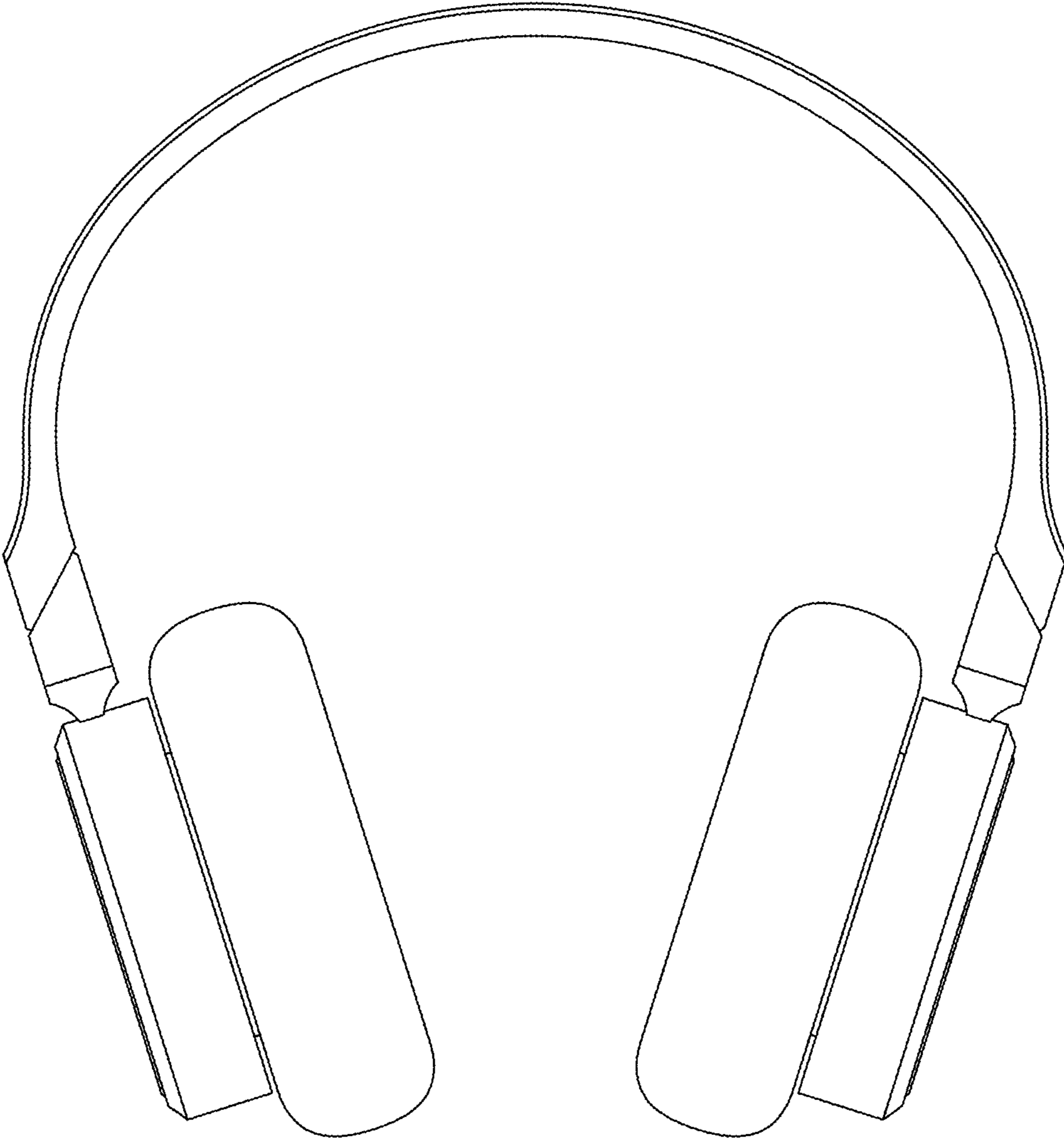


FIG. 3



FIG. 4

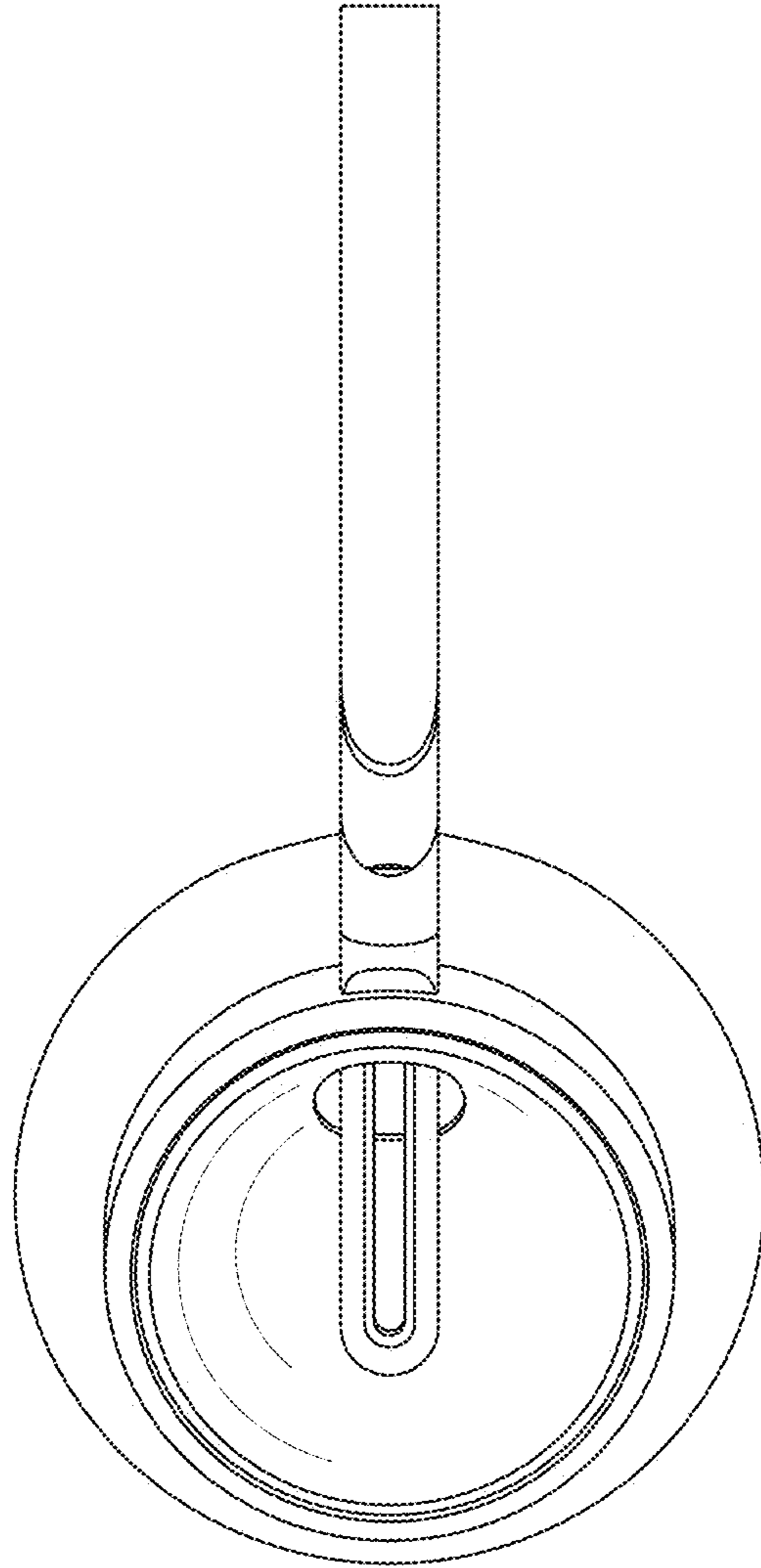


FIG. 5

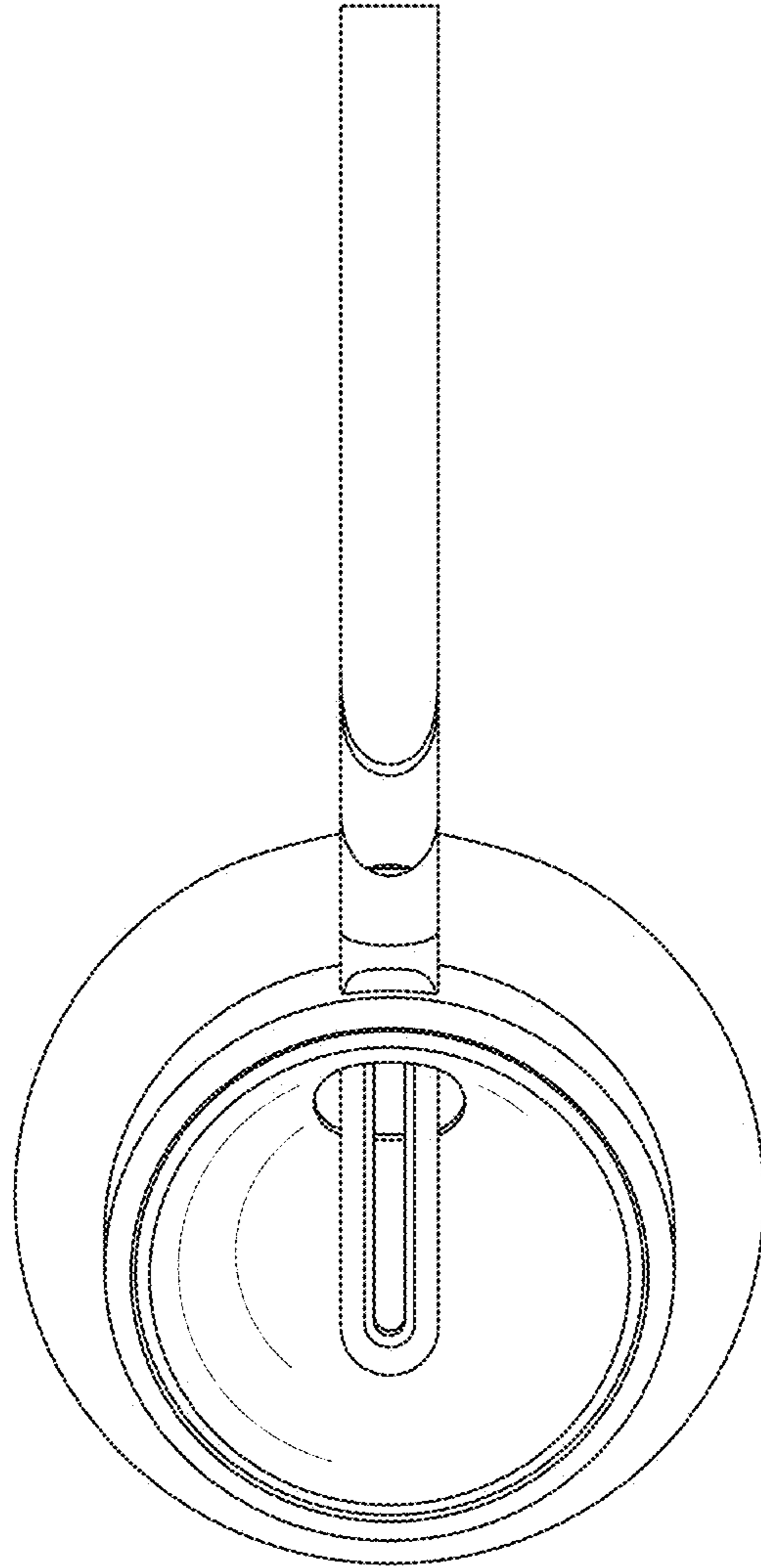


FIG. 6

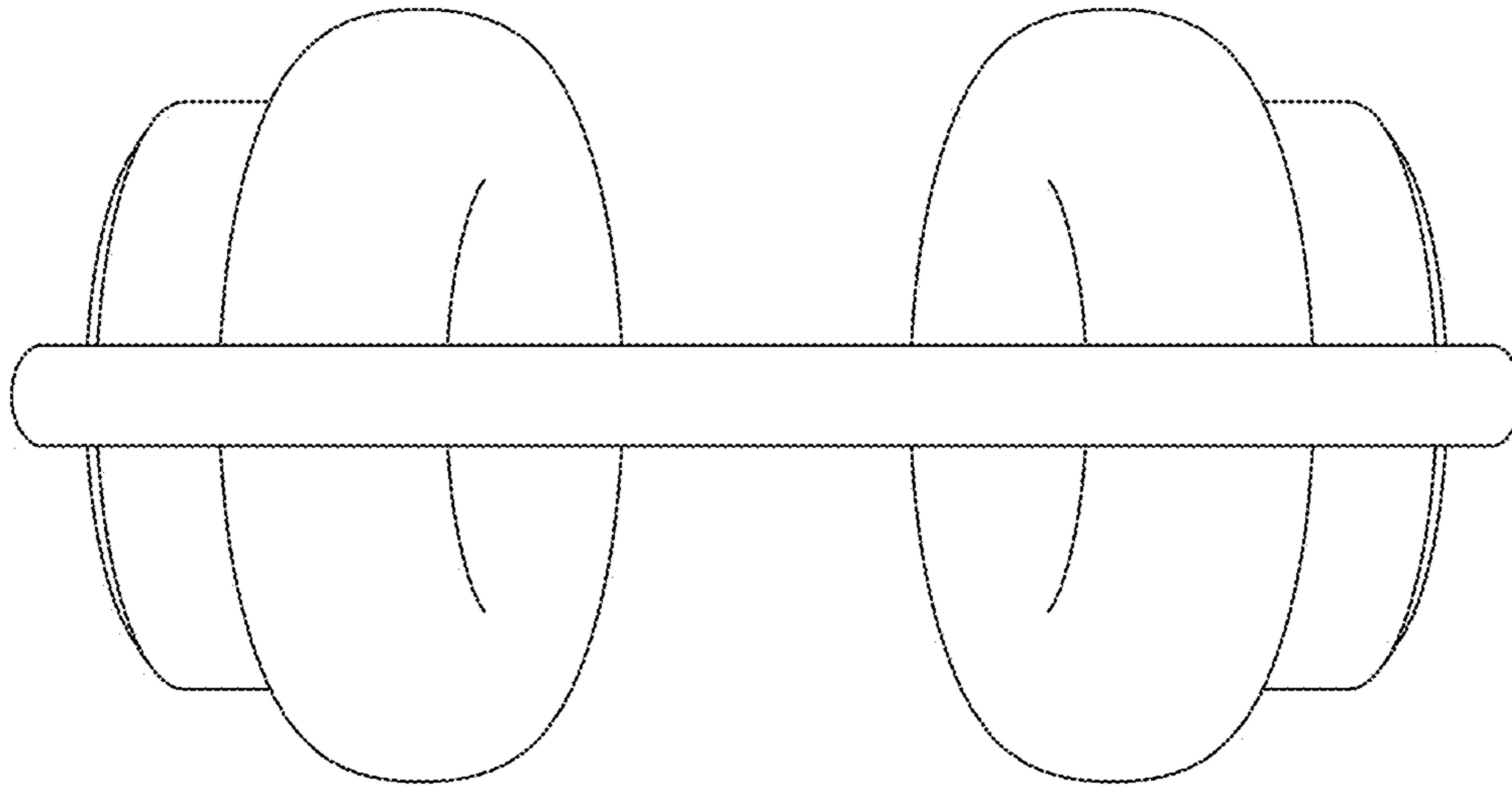


FIG. 7

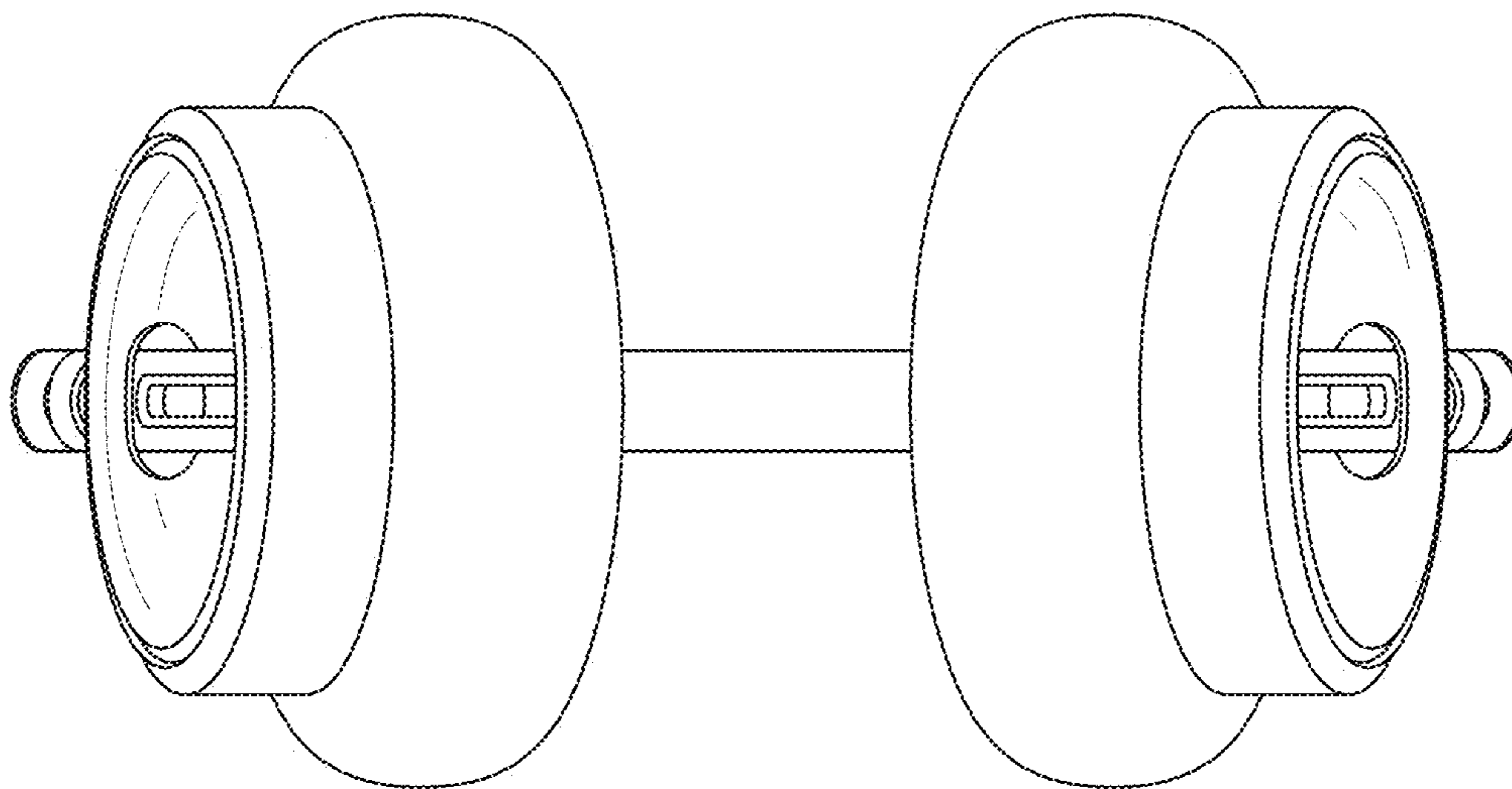


FIG. 8