



US00D948470S

(12) **United States Design Patent**
Liu

(10) **Patent No.:** **US D948,470 S**

(45) **Date of Patent:** **** Apr. 12, 2022**

(54) **BABY MONITOR**

(71) Applicant: **SHENZHEN VIDEOTIMES TECHNOLOGY CO., LTD**, Shenzhen (CN)

(72) Inventor: **Qiang Liu**, Shenzhen (CN)

(**) Term: **15 Years**

(21) Appl. No.: **29/706,932**

(22) Filed: **Sep. 25, 2019**

(51) **LOC (13) Cl.** **14-03**

(52) **U.S. Cl.**
USPC **D14/159**

(58) **Field of Classification Search**

USPC D14/167, 154, 168, 188, 496, 156, 160, D14/161, 162, 163, 164, 165, 158, 253, D14/192, 159, 155, 138 AB, 137, 104.1; 455/351, 350, 353; D10/104, 106, 65, D10/78; 340/573.4, 573.1
CPC . G06F 3/16; G08B 3/00; H04M 11/00; H04N 7/14; H04N 7/26

See application file for complete search history.

(56) **References Cited**

U.S. PATENT DOCUMENTS

D637,174 S * 5/2011 Elkerbout D14/159
D697,119 S * 1/2014 Park D16/203

D716,753 S * 11/2014 Deng D14/159
D747,383 S * 1/2016 Li D16/203
D763,817 S * 8/2016 Deng D14/159
D816,142 S * 4/2018 Song D16/203
D840,368 S * 2/2019 Deng D14/159
D850,403 S * 6/2019 Liu D14/159
D863,249 S * 10/2019 Xie D14/159
D864,148 S * 10/2019 Munger D14/159
D935,430 S * 11/2021 Xie D14/159

* cited by examiner

Primary Examiner — Austin Murphy

(57) **CLAIM**

The ornamental design for a baby monitor, as shown and described.

DESCRIPTION

FIG. 1 is a perspective view of a baby monitor showing my new design;

FIG. 2 is a front view thereof;

FIG. 3 is a back view thereof;

FIG. 4 is a left side view thereof;

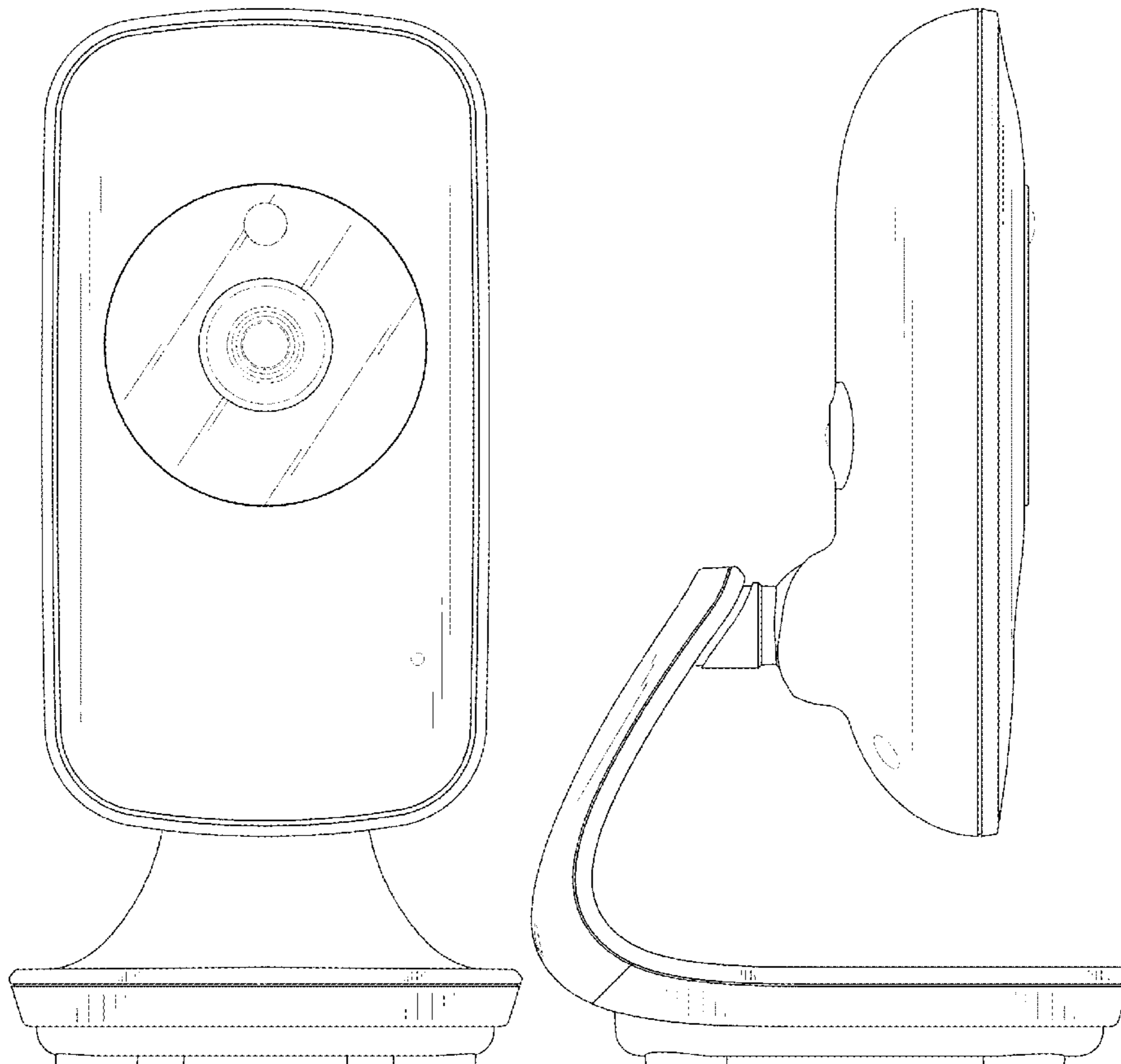
FIG. 5 is a right side view thereof;

FIG. 6 is a top view thereof; and,

FIG. 7 is a bottom view thereof.

The broken lines shown in the drawings depict portions of the baby monitor in which the design is embodied that form no part of the claimed design.

1 Claim, 7 Drawing Sheets



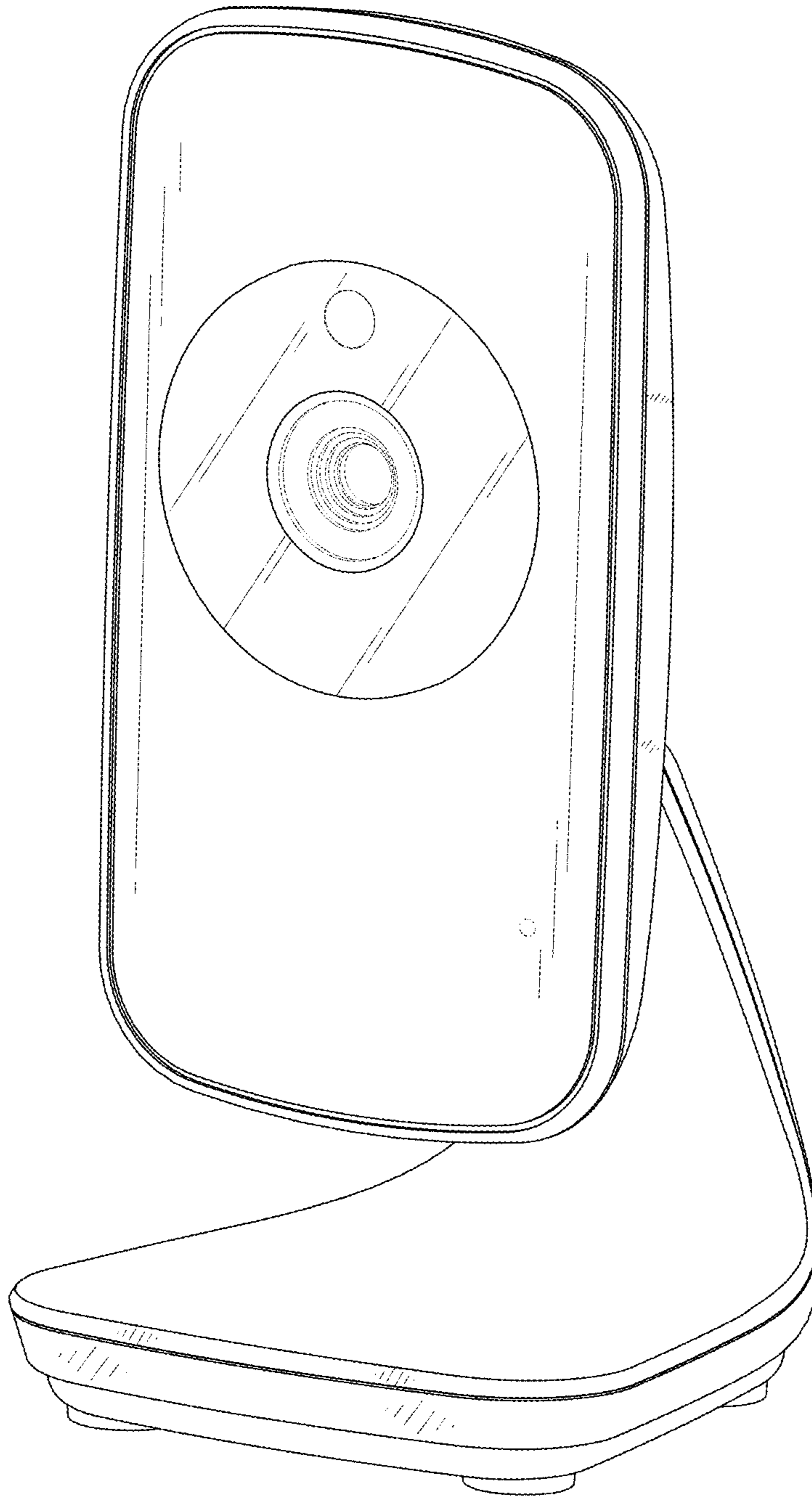


FIG. 1

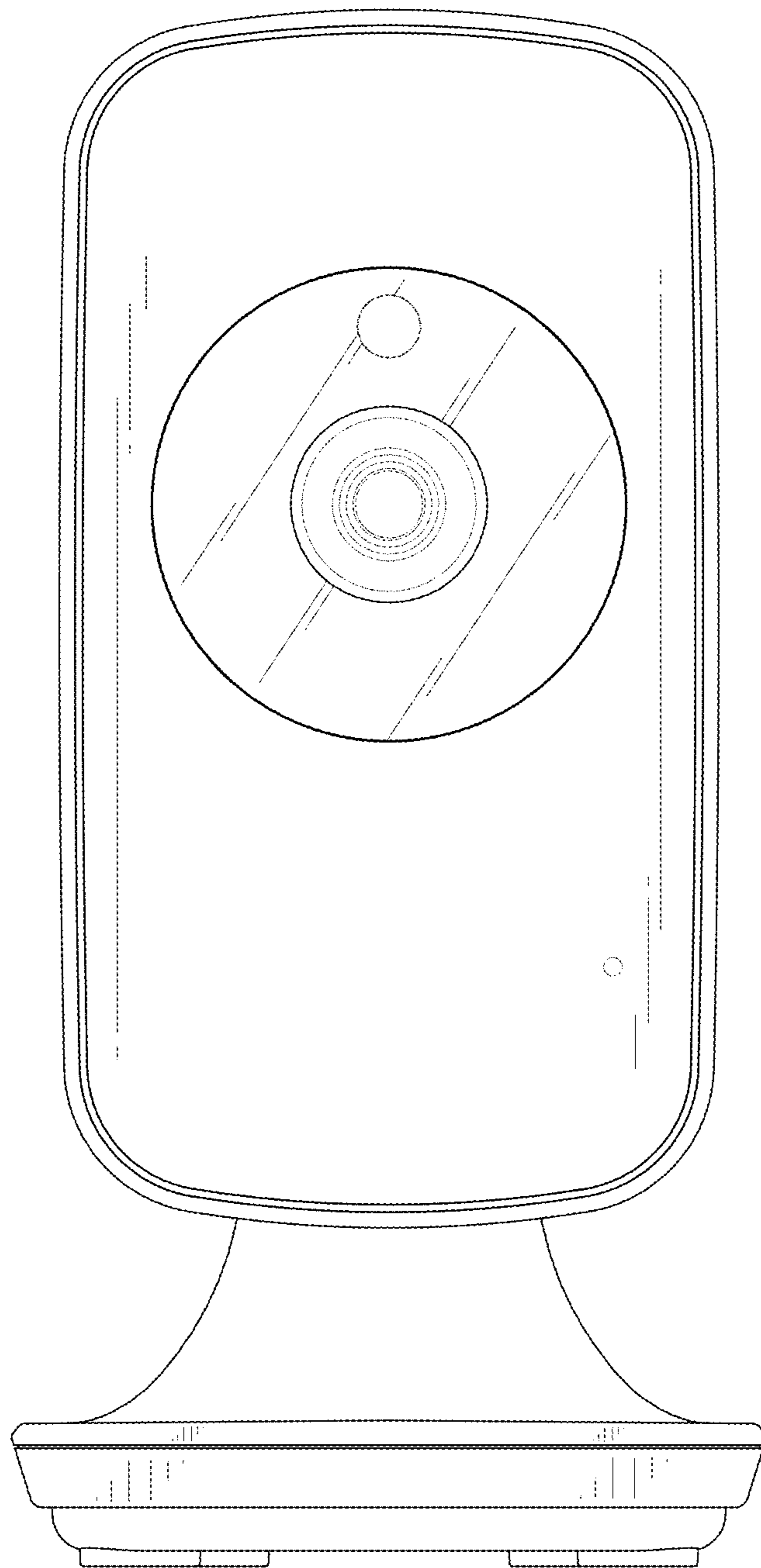


FIG. 2

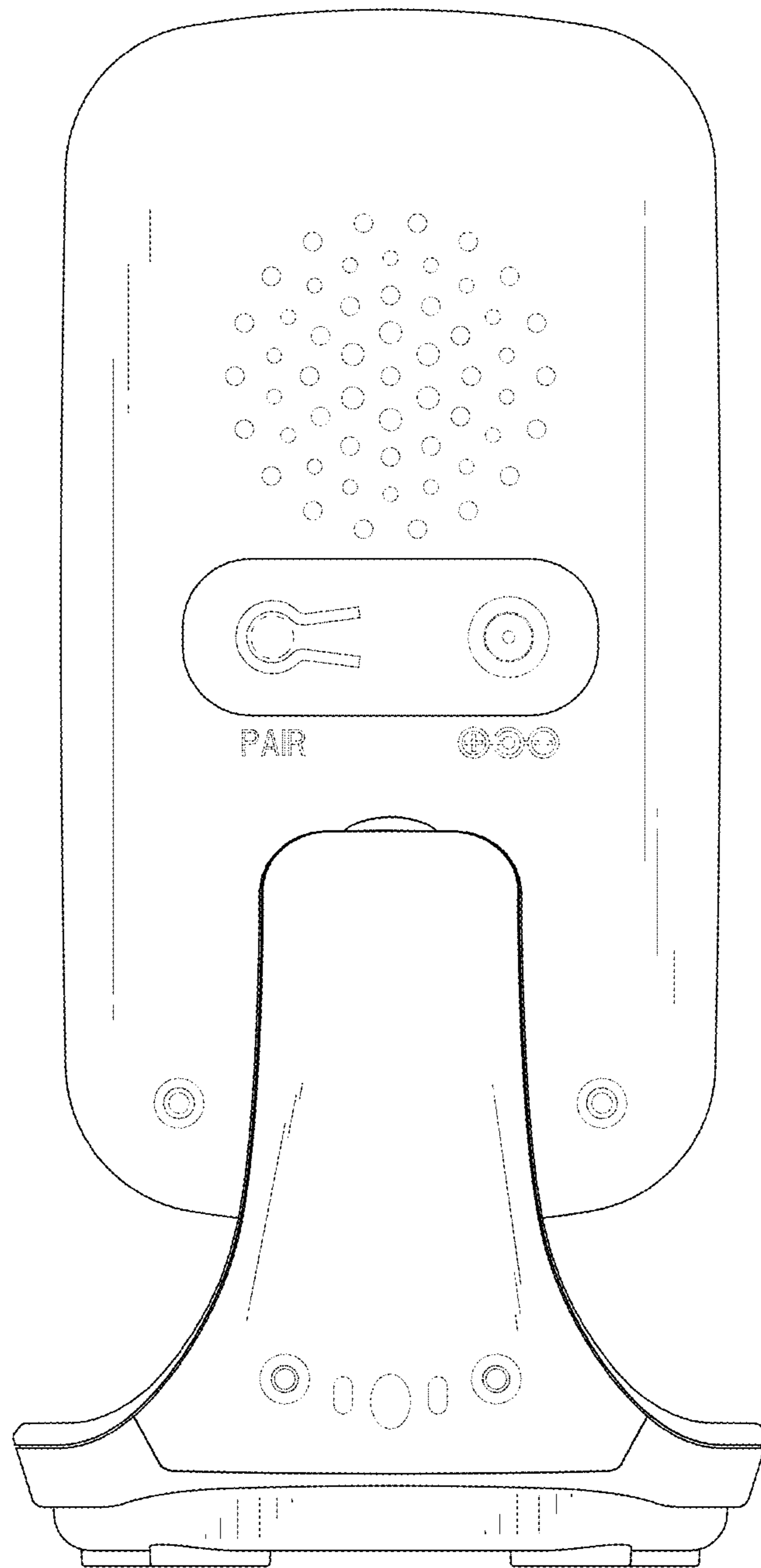


FIG. 3

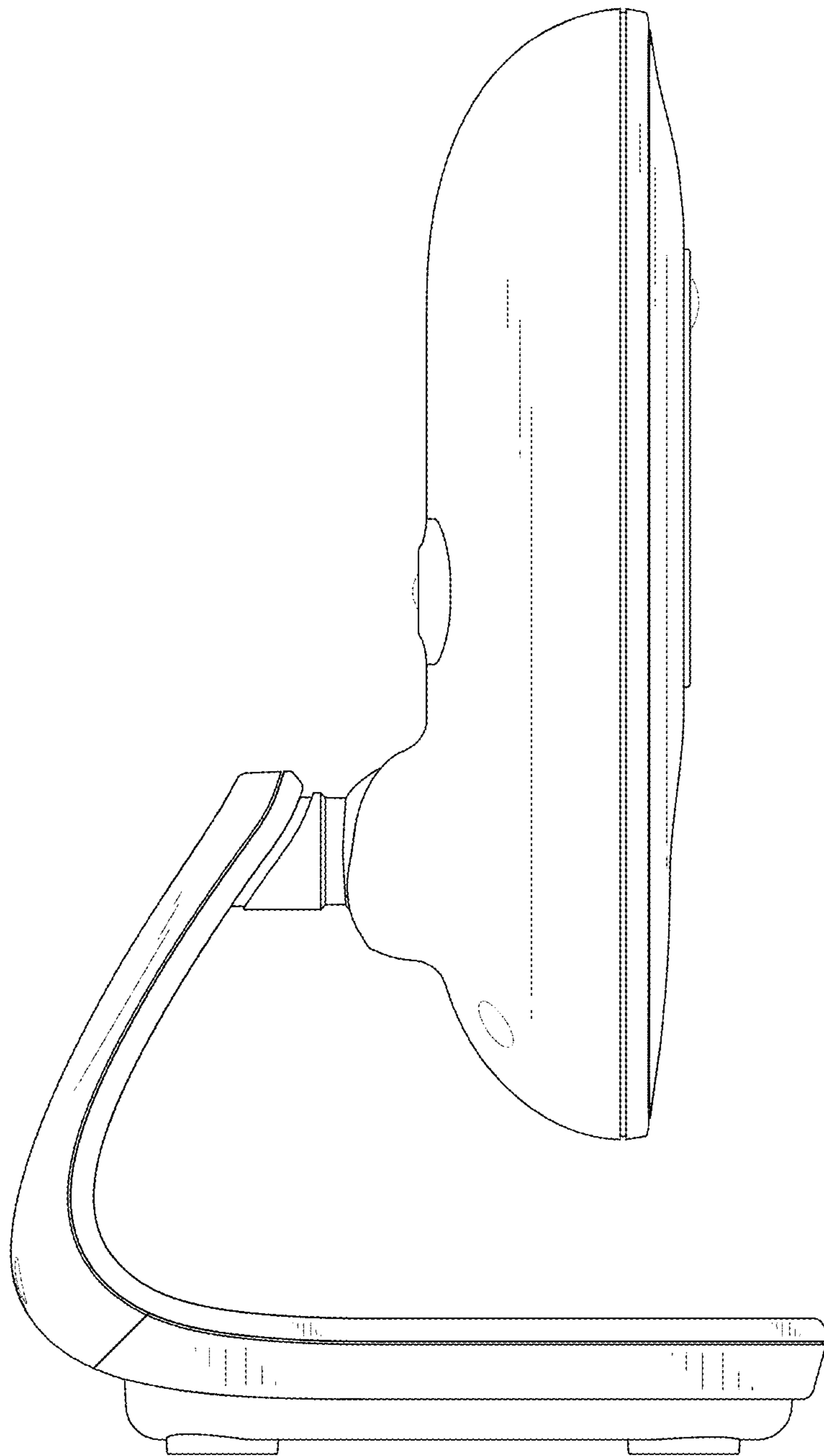


FIG. 4

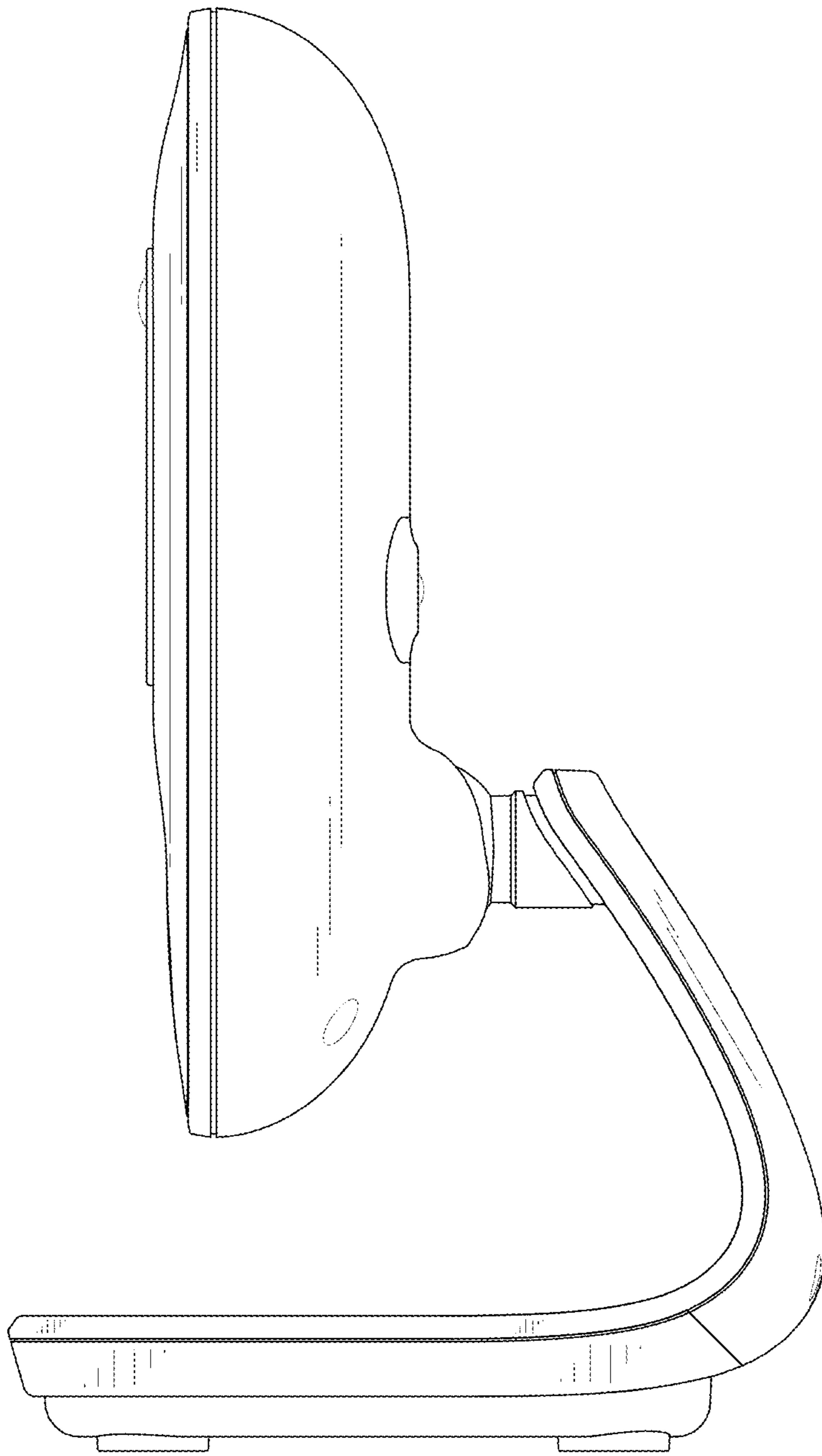


FIG. 5

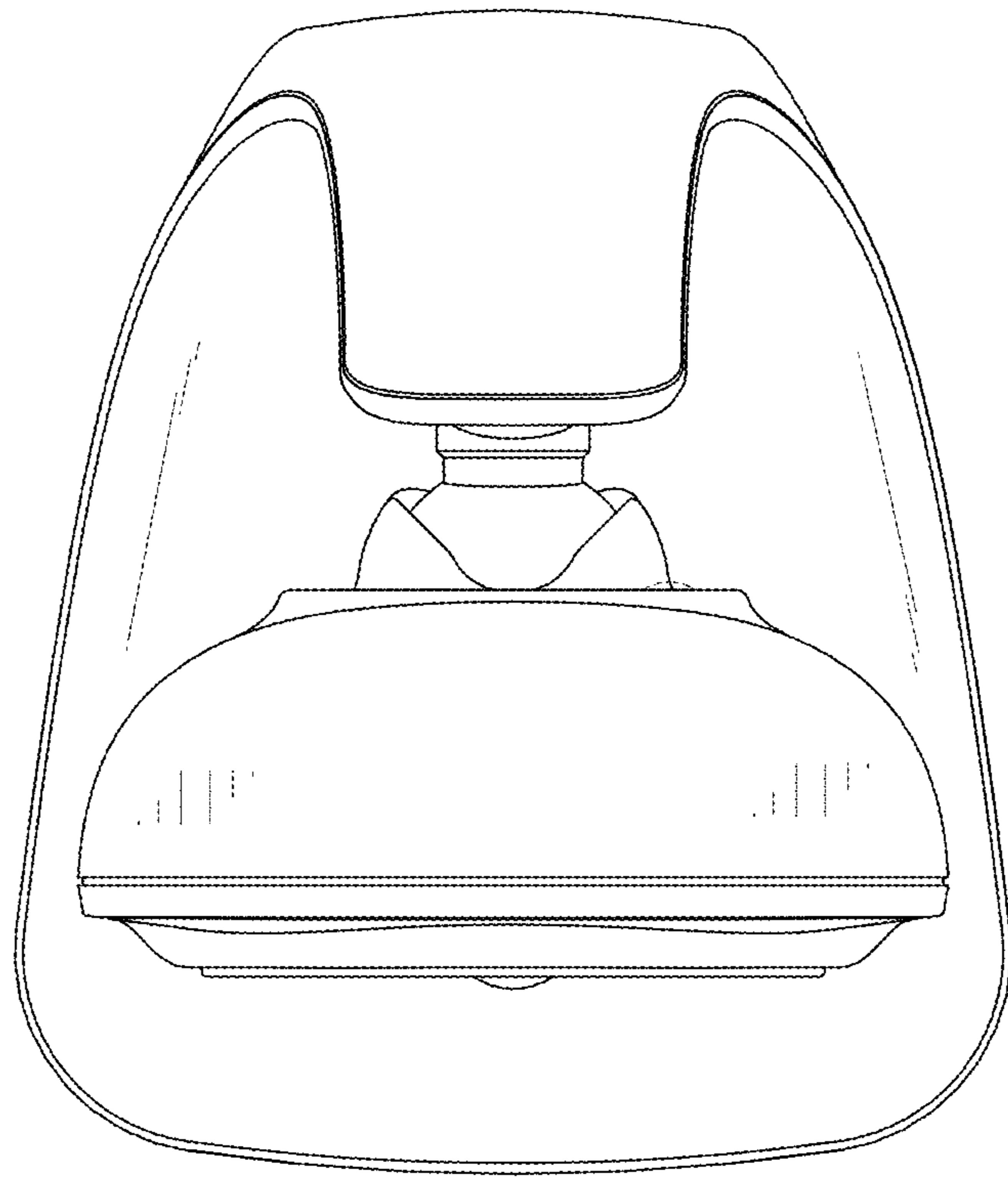


FIG. 6

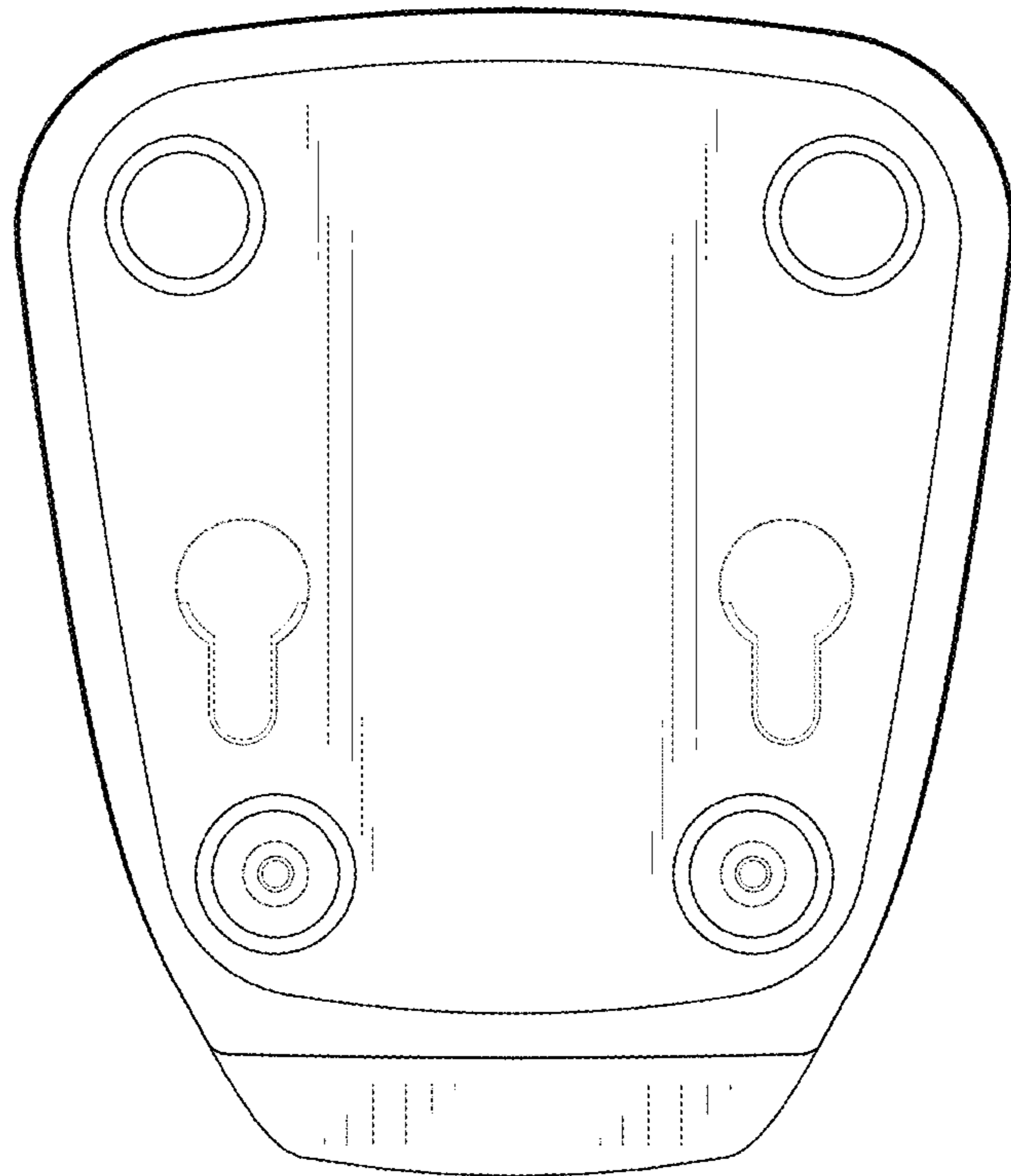


FIG. 7