



US00D948469S

(12) **United States Design Patent** (10) **Patent No.:** **US D948,469 S**
Müller (45) **Date of Patent:** **** Apr. 12, 2022**

(54) **PORTION OF A DOOR PHONE**
(71) Applicant: **Bird Home Automation GmbH**, Berlin (DE)
(72) Inventor: **Bernd Georg Müller**, Kleinmachnow (DE)
(73) Assignee: **Bird Home Automation GmbH**, Berlin (DE)
(**) Term: **15 Years**

D562,306 S * 2/2008 Jeong D14/159
D588,574 S * 3/2009 Takahata D14/159
D620,917 S * 8/2010 Hattori D14/159
D733,673 S * 7/2015 Zhu D14/137
D744,451 S * 12/2015 Takahata D14/142
D761,757 S * 7/2016 Michielan D14/159
D817,299 S * 5/2018 Shanes D14/159
D834,555 S * 11/2018 Shanes D14/159
D840,858 S * 2/2019 Siminoff D10/118.2
D842,262 S * 3/2019 Takahata D14/159
D842,263 S * 3/2019 Takahata D14/159
D844,582 S * 4/2019 Takahata D14/159
D902,162 S * 11/2020 Koo D13/171
2004/0091092 A1 * 5/2004 Unger H04M 1/18
379/167.14

(21) Appl. No.: **29/658,763**

* cited by examiner

(22) Filed: **Aug. 2, 2018**

Primary Examiner — Austin Murphy

(30) **Foreign Application Priority Data**

(74) *Attorney, Agent, or Firm* — Faegre Drinker Biddle & Reath LLP

Feb. 5, 2018 (EM) 004695120

(51) **LOC (13) Cl.** **14-03**

(52) **U.S. Cl.**
USPC **D14/159**

(57) **CLAIM**

The ornamental design for a portion of a door phone, as shown and described.

(58) **Field of Classification Search**
USPC D14/302-307, 900-902, 159; D13/163;
D20/10; D21/332, 325, 369, 370;
D99/28; D10/118.2; 194/206;
361/679.01, 679.02, 679.04, 679.21,
361/679.57, 725
CPC G06Q 20/18; G06Q 20/10; G06Q 20/123;
G06Q 20/20; G06Q 30/02; G06Q 30/06;
A47F 9/047
See application file for complete search history.

DESCRIPTION

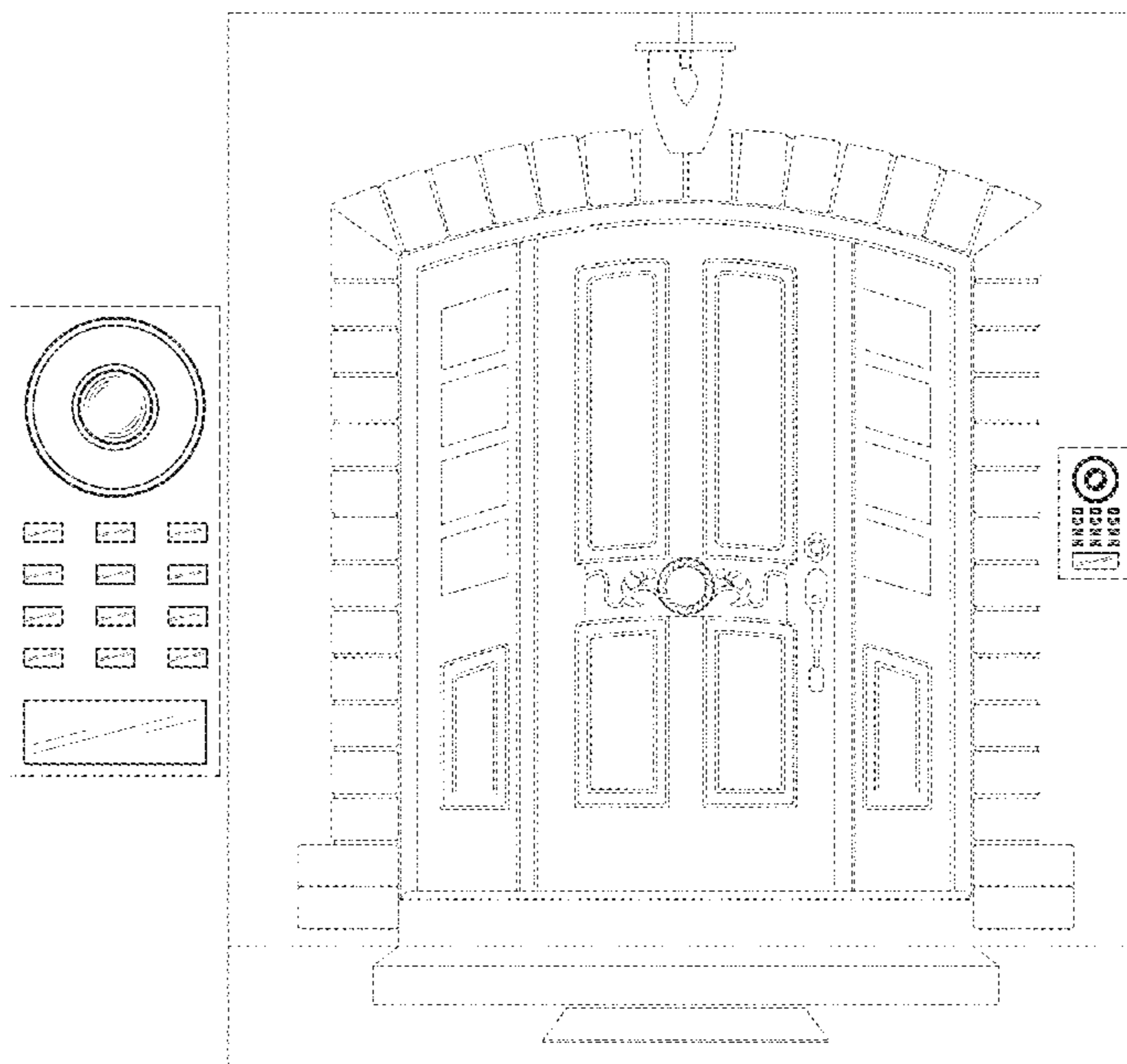
FIG. 1 is a front view of a first embodiment of a portion of a door phone illustrating my new design;
FIG. 2 is a front view of a second embodiment of the portion of a door phone;
FIG. 3 is another front view of the first embodiment of the portion of a door phone coupled to an optional door environment; and,
FIG. 4 is another front view of the second embodiment of the portion of a door phone coupled to an optional door environment.
Broken lines illustrate an optional environment that forms no part of the claimed design.

(56) **References Cited**

U.S. PATENT DOCUMENTS

D519,100 S * 4/2006 Shioya D14/159
D561,734 S * 2/2008 Yamada D14/159

1 Claim, 3 Drawing Sheets



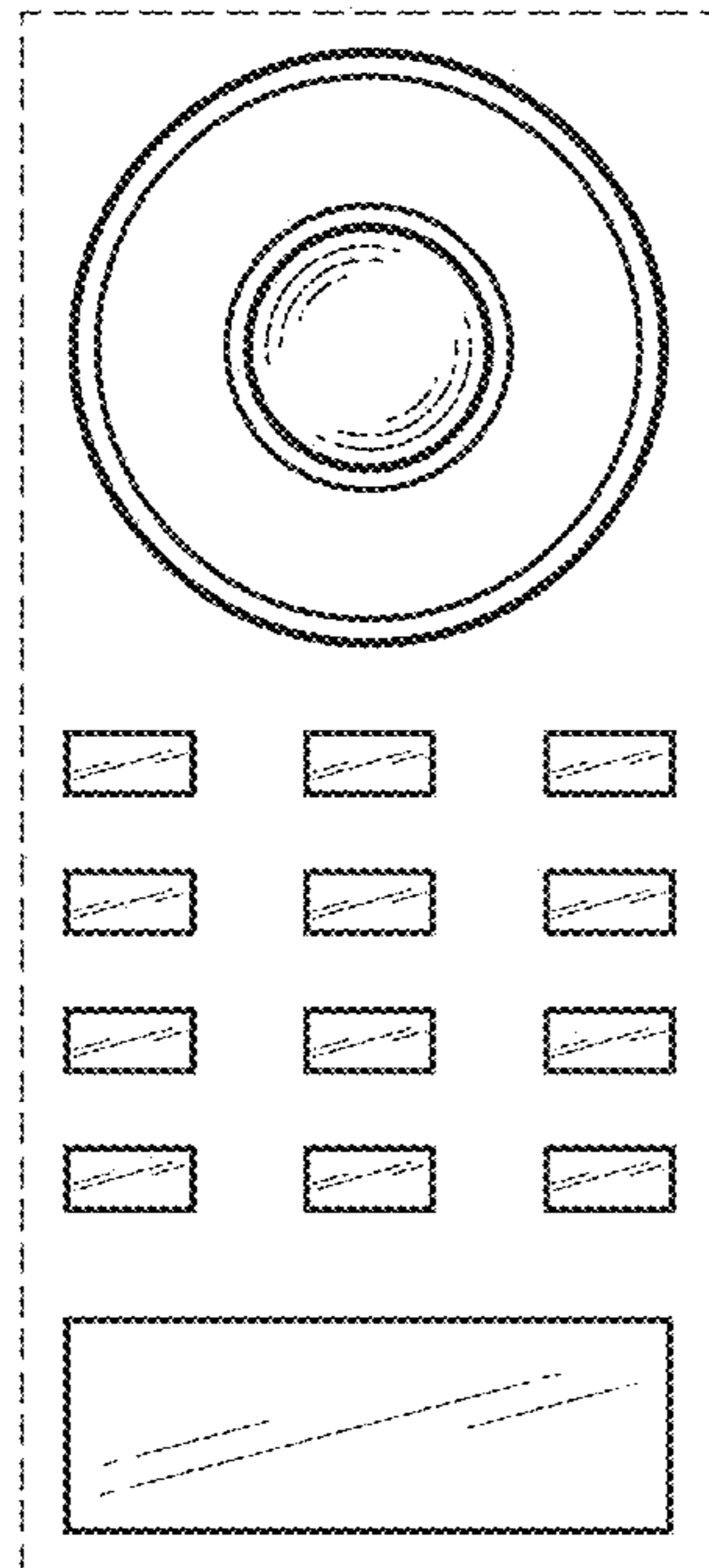


Fig. 1

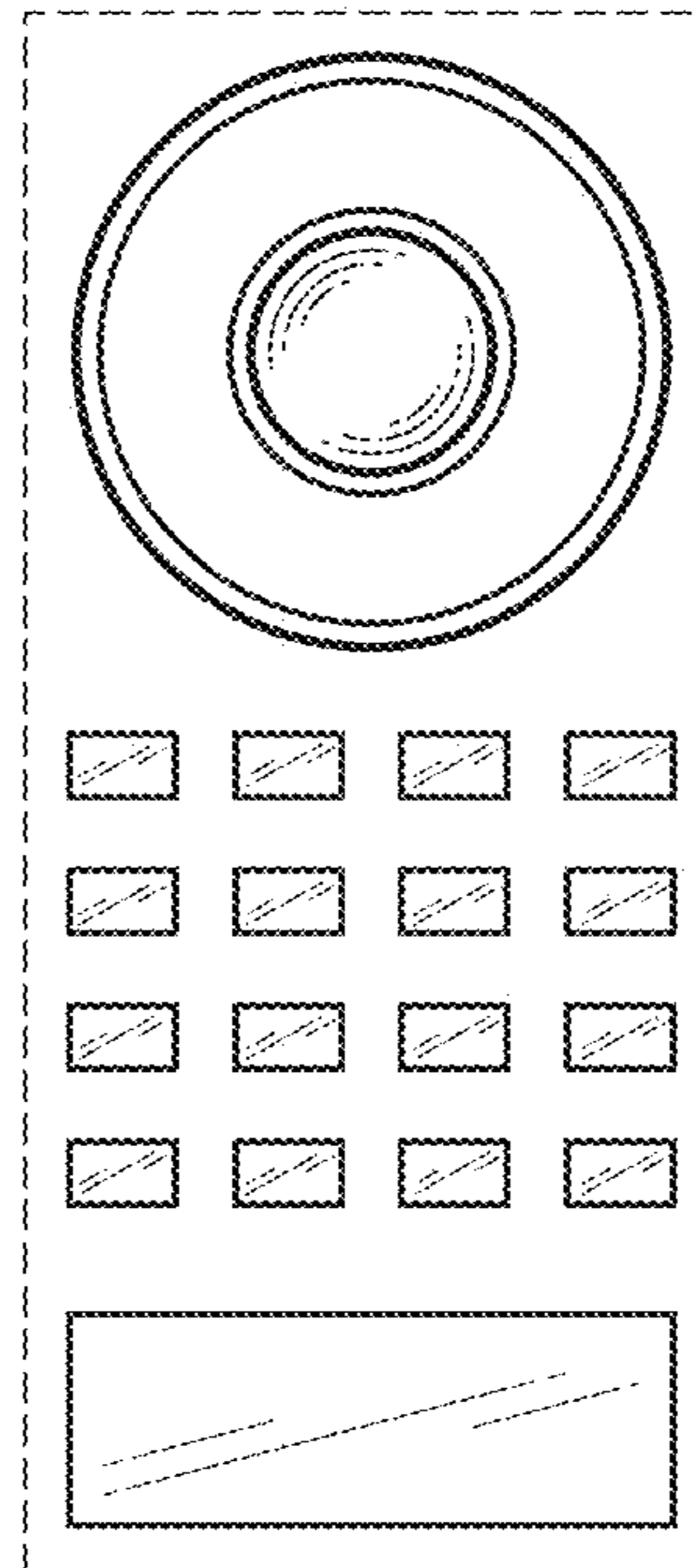


Fig. 2

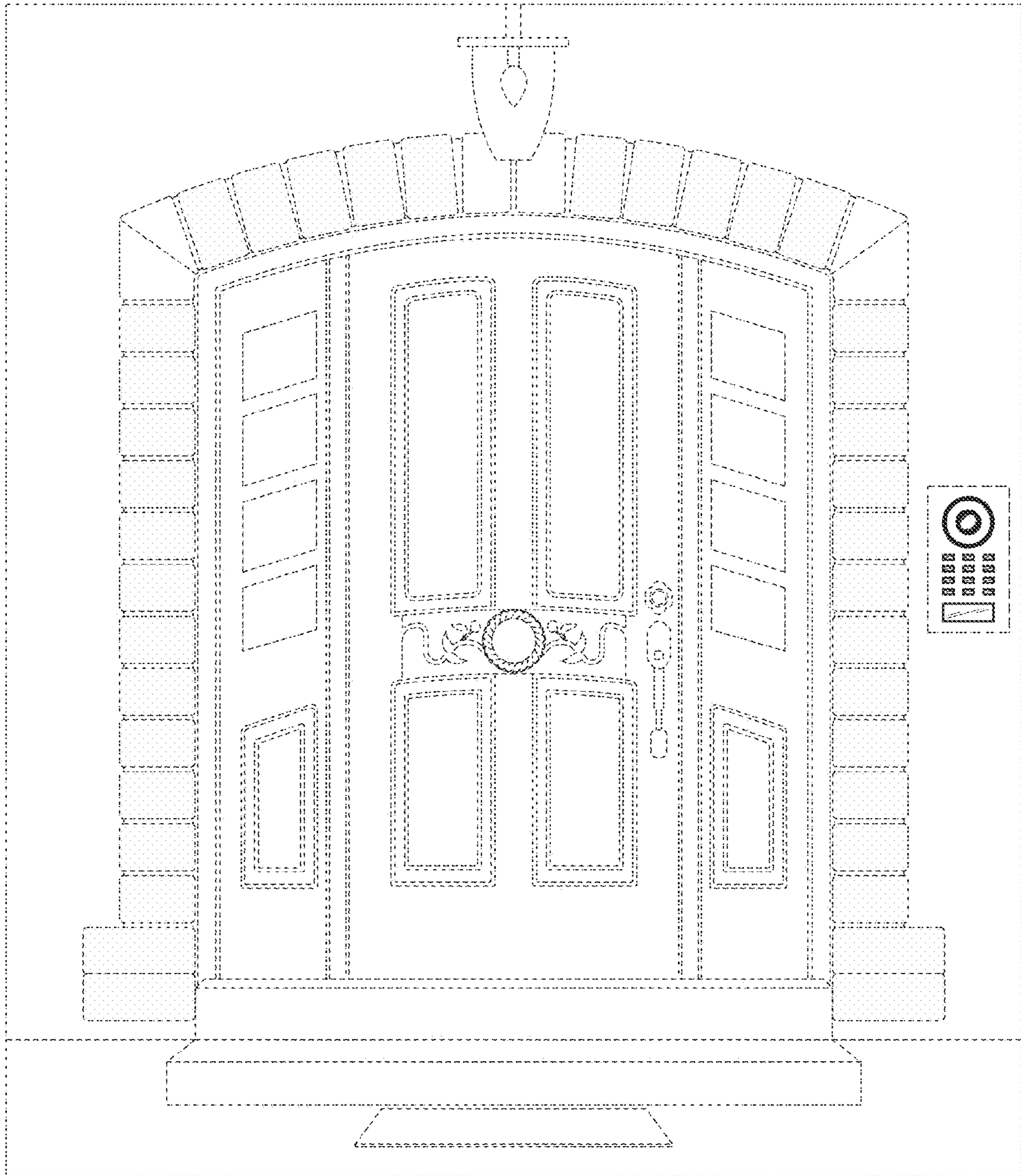


Fig. 3

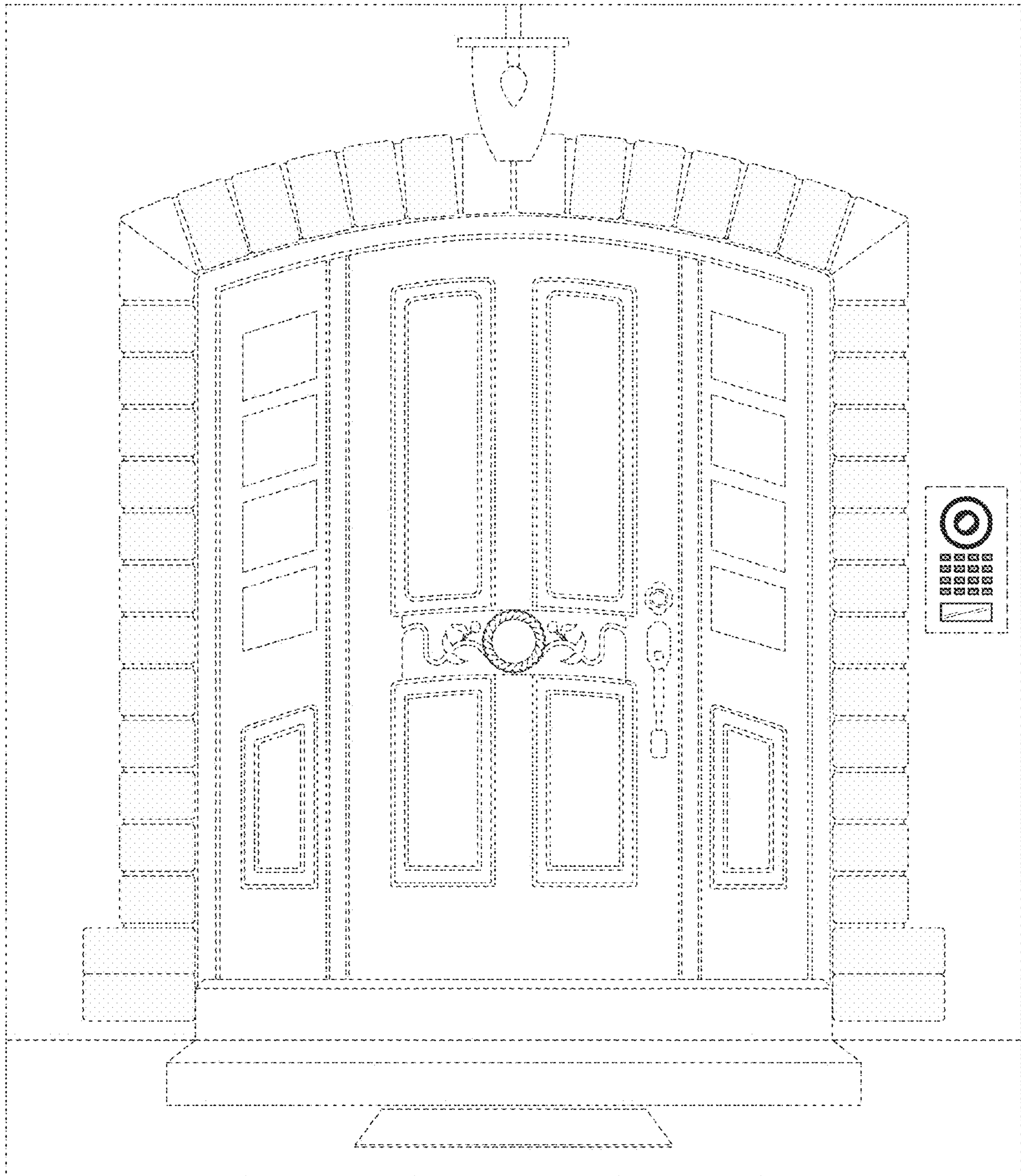


Fig. 4