



US00D948466S

(12) **United States Design Patent** (10) **Patent No.:** **US D948,466 S**
Nishizawa (45) **Date of Patent:** **** Apr. 12, 2022**

(54) **MICROPHONE**

(71) Applicant: **ICOM INCORPORATED**, Osaka (JP)

(72) Inventor: **Haruki Nishizawa**, Osaka (JP)

(73) Assignee: **ICOM INCORPORATED**, Osaka (JP)

(**) Term: **15 Years**

(21) Appl. No.: **29/739,307**

(22) Filed: **Jun. 24, 2020**

(30) **Foreign Application Priority Data**

Dec. 25, 2019 (JP) 2019-028711

(51) **LOC (13) Cl.** **14-03**

(52) **U.S. Cl.**

USPC **D14/137; D14/225**

(58) **Field of Classification Search**

USPC D14/137, 138 AA, 138 AD, 138 G,
D14/138 R, 142, 147, 148, 155, 157-159,
D14/163-165, 168, 171, 172, 188, 191,
D14/192, 194-198, 203.1, 203.3, 203.5,
D14/203.7, 204, 210-216, 218, 219, 221,
D14/225, 226, 341, 342, 345, 346, 144;
D21/324, 329, 331, 517, 566; D10/65,
D10/78, 104.1, 104.2, 106.1; D13/168;
D30/199

CPC H04B 1/3833; H04B 1/3827; H04B
2001/3861; H04B 1/385; H04B 1/3883;
H04B 2001/3855; H04B 2001/3872;
H04M 1/23; H04M 1/233; H04M 1/7246;
H04M 1/72427; G08B 21/0202; H04R
2410/00; H04R 1/00; H04R 2410/01;
H04R 2410/03; H04R 2410/05; H04R
2410/07; H04R 27/00; H04R 27/02;
H04R 27/04

See application file for complete search history.

(56) **References Cited**

U.S. PATENT DOCUMENTS

D566,075 S * 4/2008 Leng D14/137
D761,224 S * 7/2016 Khairudin D14/137
D797,069 S * 9/2017 Nishizawa D14/137

(Continued)

FOREIGN PATENT DOCUMENTS

CN 202030318215.4 * 12/2019
CN 202130224870.8 * 11/2020

(Continued)

OTHER PUBLICATIONS

“PMLN7131 Handheld control head”, available in motorolasolutions.com, announced Year 2017 [online], [site visited Dec. 21, 2021], Internet URL: https://www.motorolasolutions.com/en_xp/products/two-way-radio-accessories/mobiles-radios-accessories/mounting-installation-accessories/pmln7131.html (Year: 2017).*

Primary Examiner — Kathleen L Jones

Assistant Examiner — Kourosch Taie-Tehrani

(74) *Attorney, Agent, or Firm* — Birch, Stewart, Kolasch & Birch, LLP

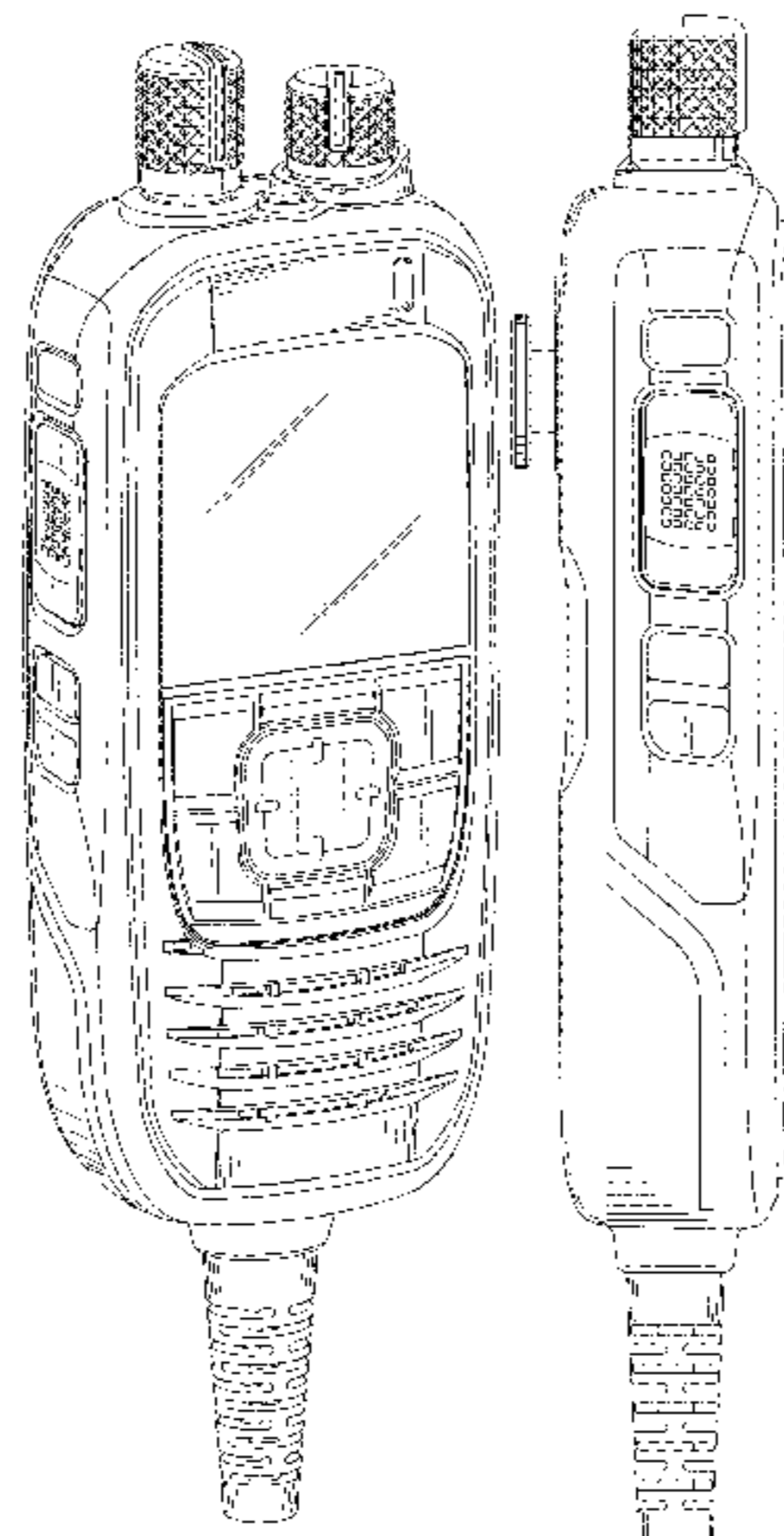
(57) **CLAIM**

The ornamental design for a microphone, as shown and described.

DESCRIPTION

FIG. 1 is a perspective view of a microphone showing our new design;
FIG. 2 is a front view thereof;
FIG. 3 is a rear view thereof;
FIG. 4 is a left side view thereof;
FIG. 5 is a right side view thereof;
FIG. 6 is a top view thereof;
FIG. 7 is a bottom view thereof; and,
FIG. 8 is an enlarged bottom view thereof.
The broken lines depict portions of the microphone in which the design is embodied that are not considered part of the claimed design.

1 Claim, 6 Drawing Sheets



(56)

References Cited

U.S. PATENT DOCUMENTS

D810,040 S * 2/2018 Nakagawa D14/137
D816,639 S * 5/2018 Abe D14/226
D819,590 S * 6/2018 Nakagawa D14/137
D843,337 S 3/2019 Nakagawa
D846,521 S * 4/2019 Nakagawa D14/137
D853,345 S * 7/2019 Nishida D14/137
10,356,497 B1 * 7/2019 Brown H04R 1/04
D876,379 S * 2/2020 Aih-san D14/137
D890,711 S * 7/2020 Lee D14/137
D896,197 S * 9/2020 Lee D14/137
D898,689 S * 10/2020 Nishizawa H04R 1/04
D14/137
2016/0241298 A1 * 8/2016 Ley H01H 19/14

FOREIGN PATENT DOCUMENTS

JP D2019-28711 * 12/2019
JP D2020-23963 * 11/2020

* cited by examiner

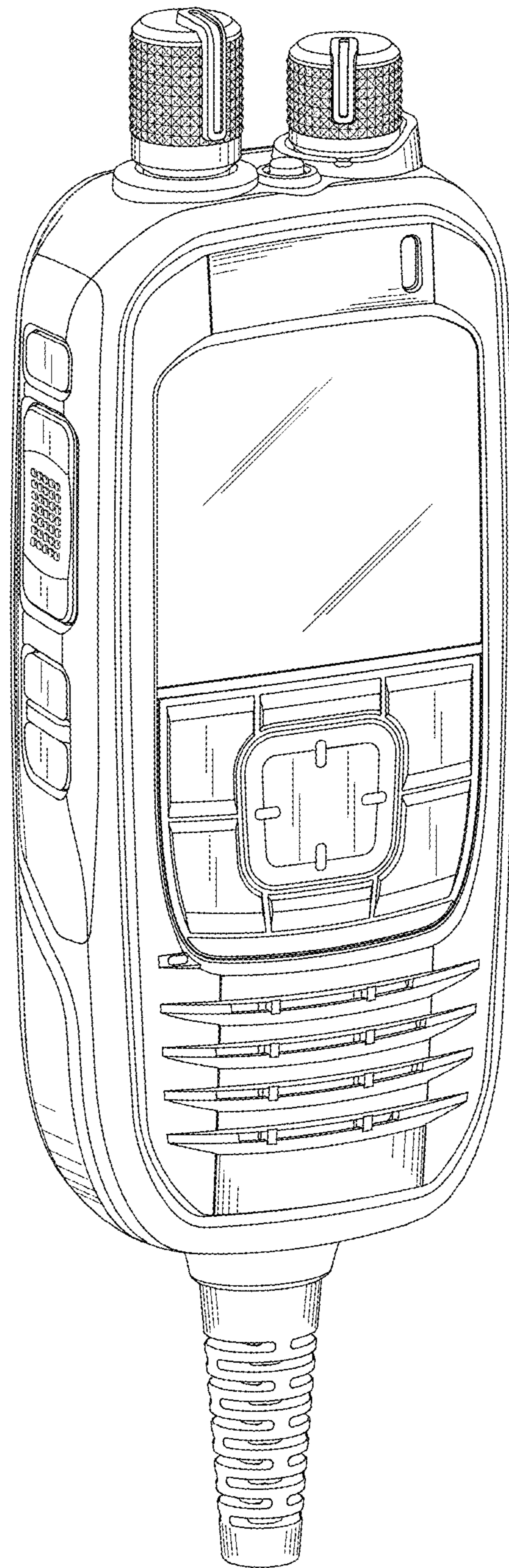


FIG.1

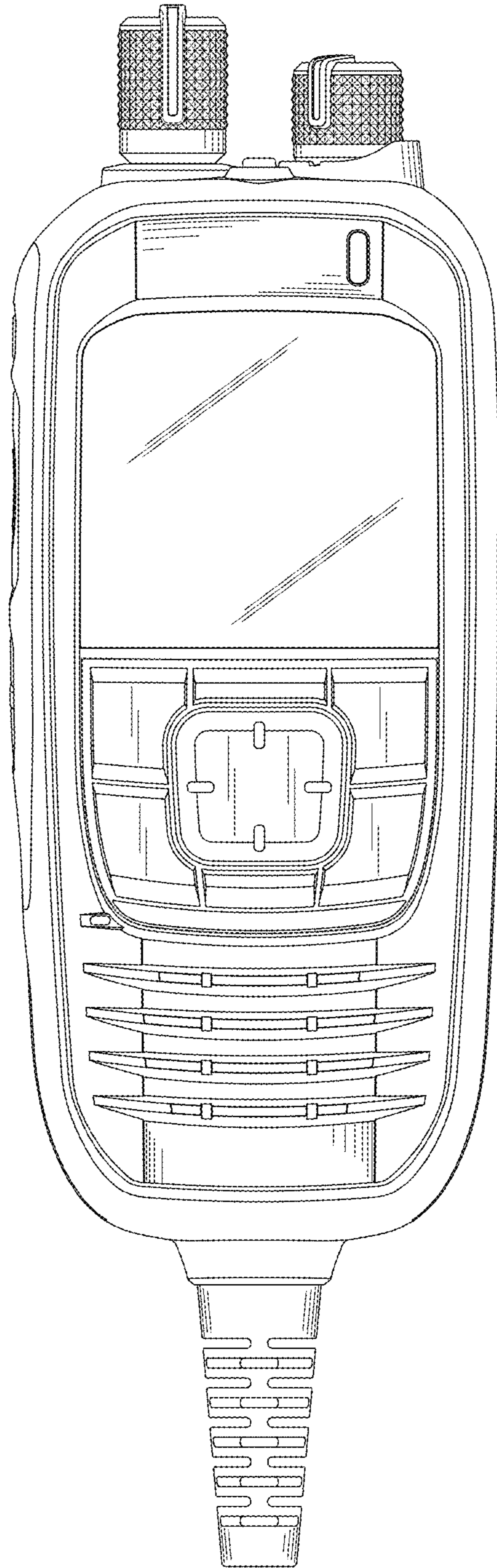


FIG.2

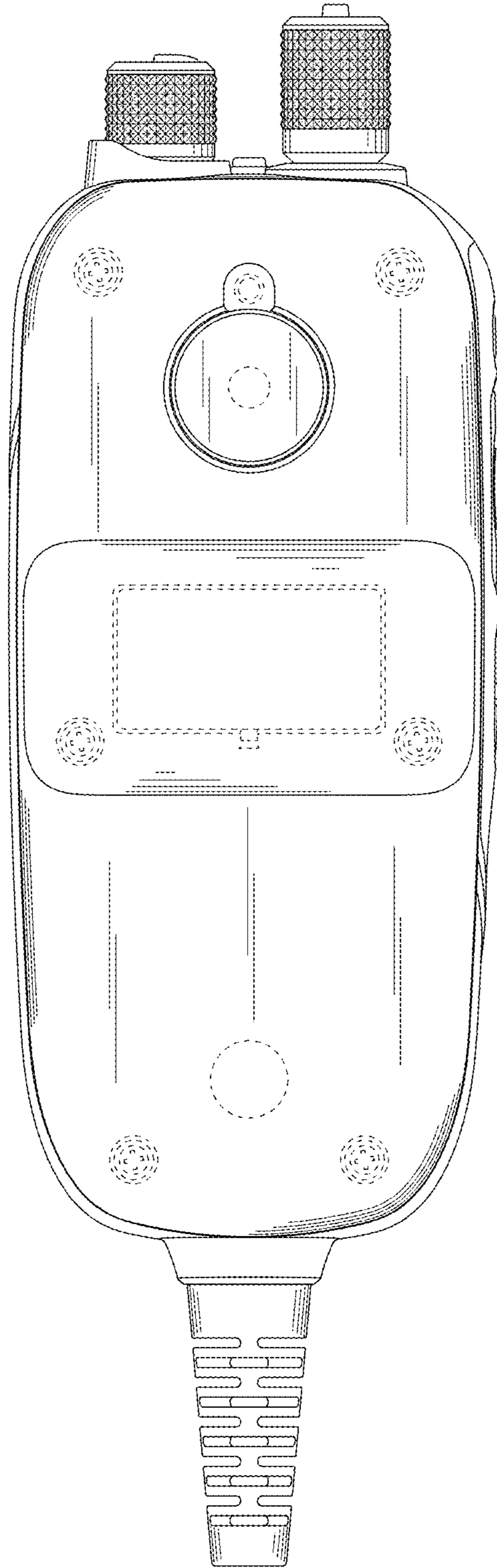


FIG.3

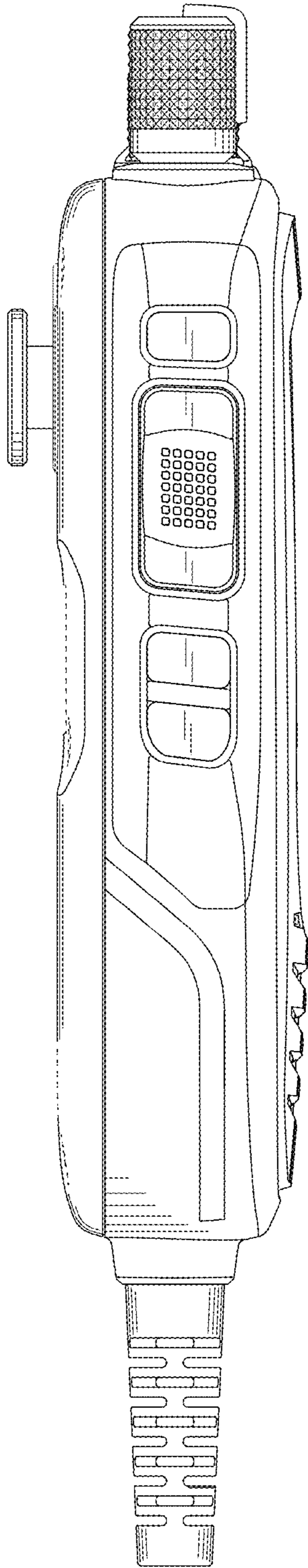


FIG.4

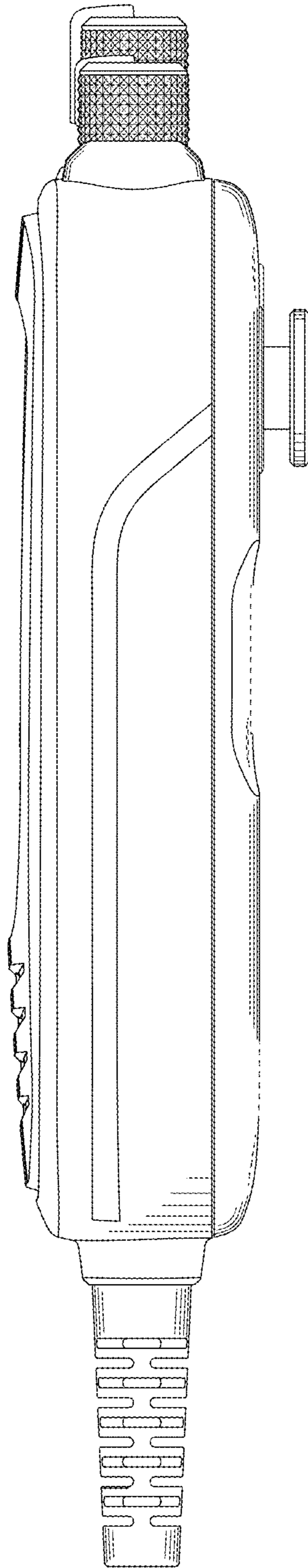


FIG.5

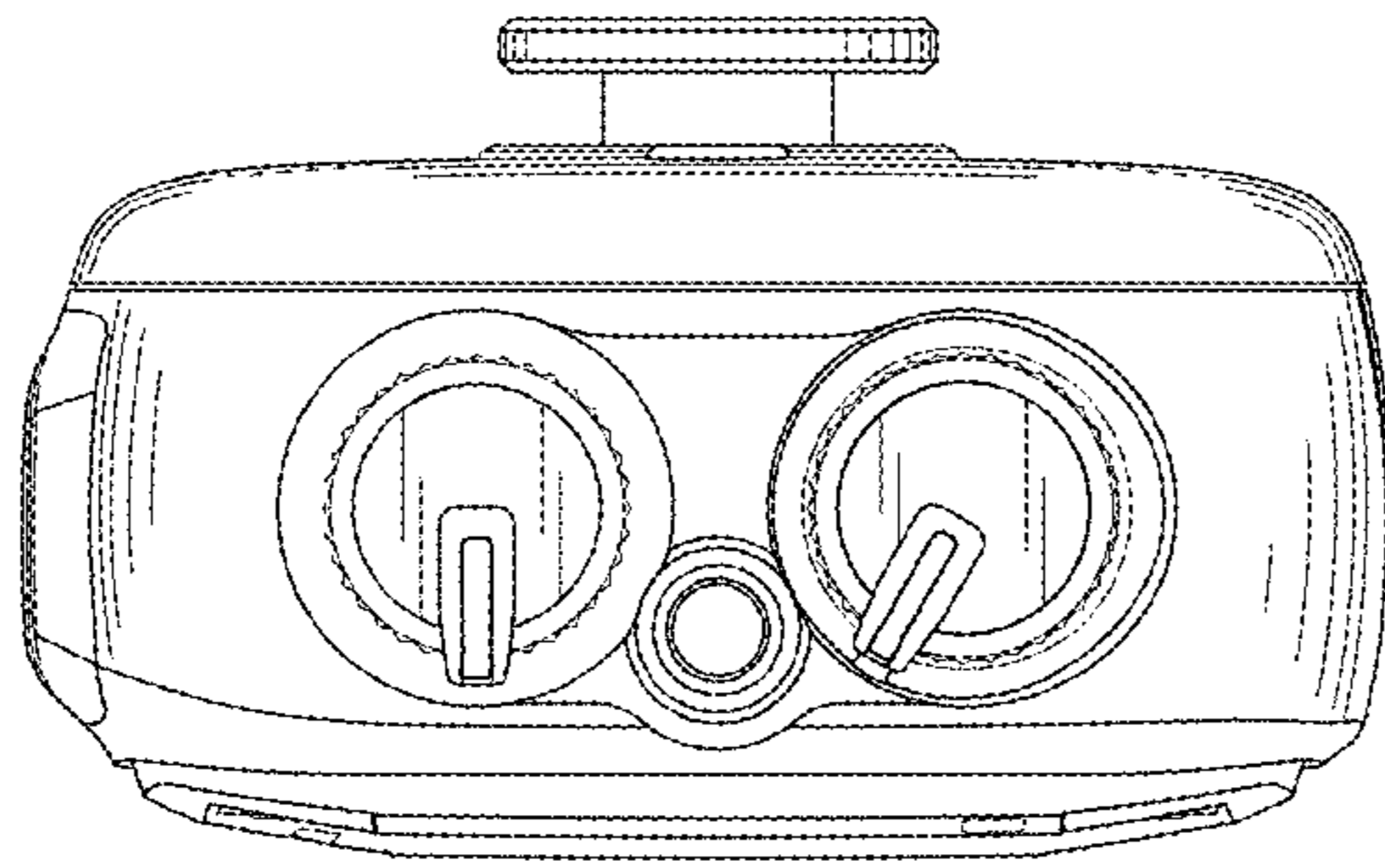


FIG. 6

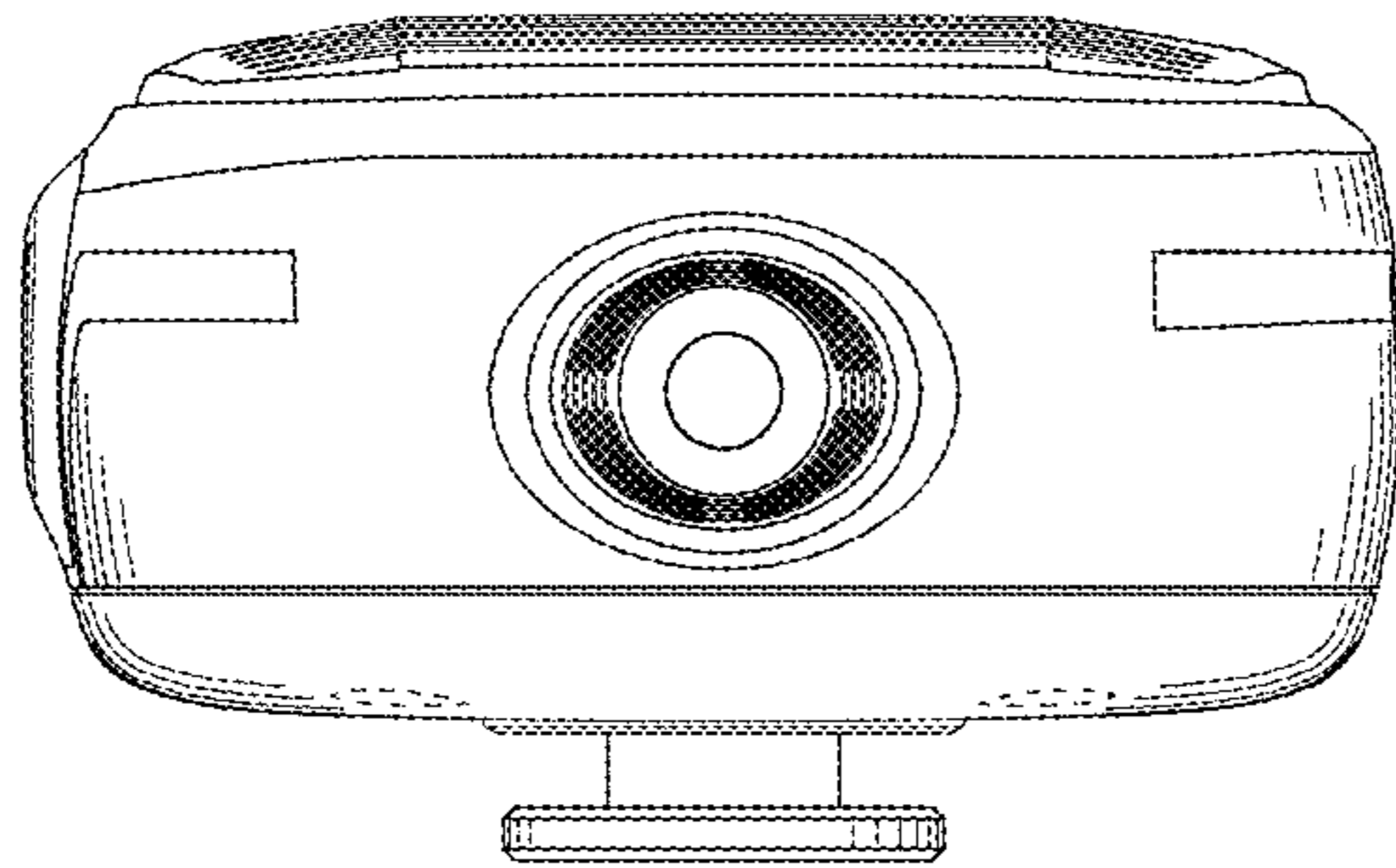


FIG. 7

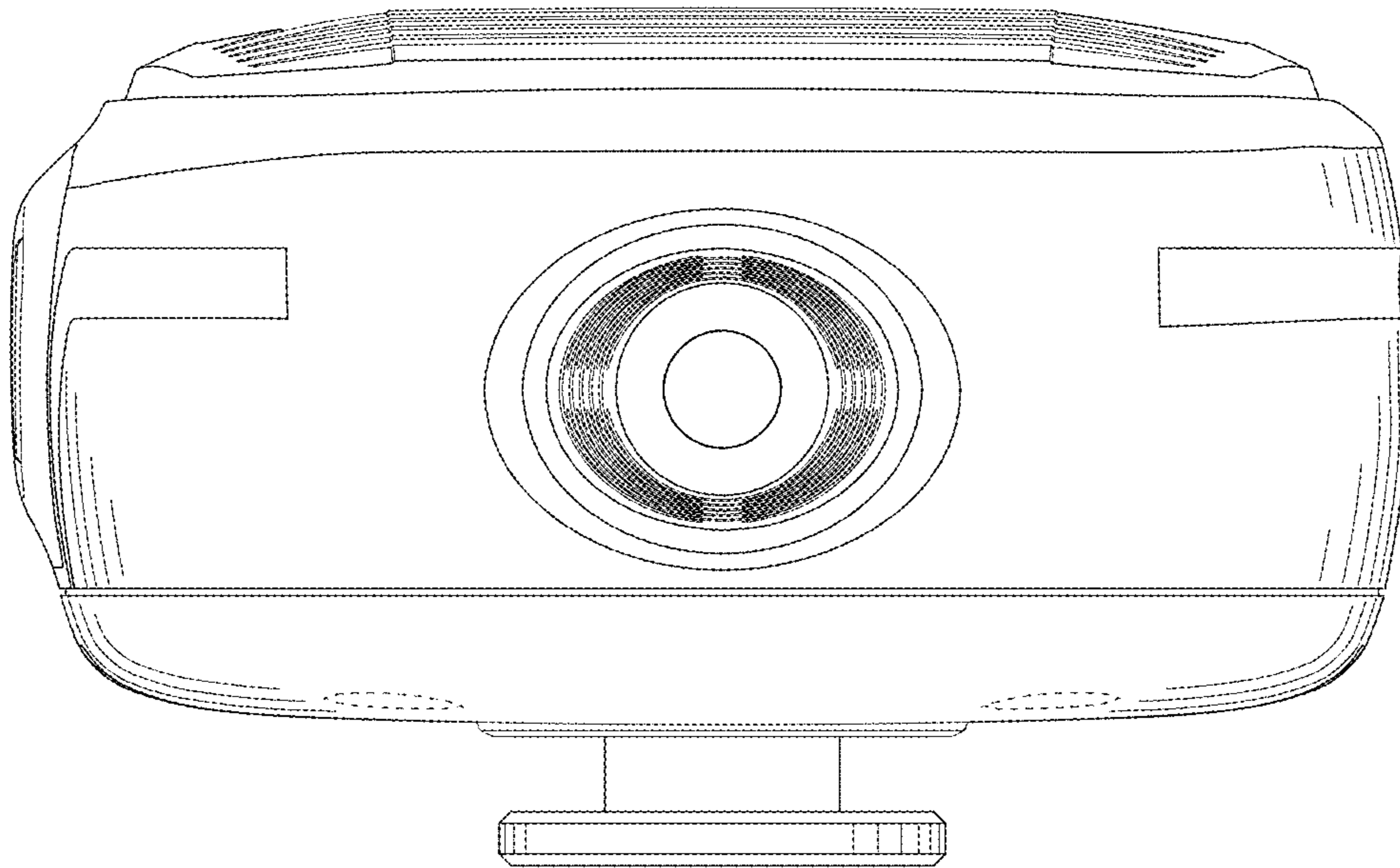


FIG.8