



US00D948465S

(12) **United States Design Patent**
Nishida

(10) **Patent No.:** **US D948,465 S**
(45) **Date of Patent:** **** Apr. 12, 2022**

(54) **RADIO COMMUNICATION DEVICE**
(71) Applicant: **ICOM INCORPORATED**, Osaka (JP)
(72) Inventor: **Tetsuro Nishida**, Osaka (JP)
(73) Assignee: **ICOM INCORPORATED**, Osaka (JP)
(**) Term: **15 Years**

D603,835 S * 11/2009 Onoue D14/137
D608,340 S * 1/2010 Nishizawa D14/198
D615,525 S * 5/2010 Emge D14/188
D808,921 S * 1/2018 Nishizawa D14/198

(21) Appl. No.: **29/725,654**
(22) Filed: **Feb. 26, 2020**

FOREIGN PATENT DOCUMENTS

JP D1454310 S 11/2012
JP D1547853 S 4/2016

(30) **Foreign Application Priority Data**

Aug. 26, 2019 (JP) 2019-018839

(51) **LOC (13) Cl.** **14-03**
(52) **U.S. Cl.**
USPC **D14/137**; D14/155; D14/188; D14/197;
D14/198

OTHER PUBLICATIONS

“Icom IC-705 HF/VHF/UHF All Mode Portable QRP 5W/10W Transceiver”, first available Oct. 30, 2020, amazon.com, [online], [site visited Dec. 17, 2021], Available from internet URL: <https://www.amazon.com/Icom-IC-705-Mode-Portable-Transceiver/dp/B08CXNR569> (Year: 2020).*

* cited by examiner

(58) **Field of Classification Search**
USPC D14/137, 138 RAA, 138 AD, 138 G,
D14/138 R, 142, 147, 148, 155, 157-159,
D14/163-165, 168, 171, 172, 188, 191,
D14/192, 194-198, 203.1, 203.3, 203.5,
D14/203.7, 204, 210-216, 218, 219, 221,
D14/226, 341, 342, 345, 346, 144;
D21/324, 329, 331, 517, 566; D10/65,
D10/78, 104.1, 104.2, 106.1; D13/168;
D30/199
CPC H04B 1/3833; H04B 1/3827; H04B
2001/3861; H04M 1/23; H04M 1/233;
H04M 1/7246; H04M 1/72427; G08B
21/0202

Primary Examiner — Kathleen L Jones
Assistant Examiner — Kourosh Taie-Tehrani
(74) *Attorney, Agent, or Firm* — Birch, Stewart, Kolasch & Birch, LLP

See application file for complete search history.

(57) **CLAIM**

The ornamental design for a radio communication device, as shown and described.

(56) **References Cited**

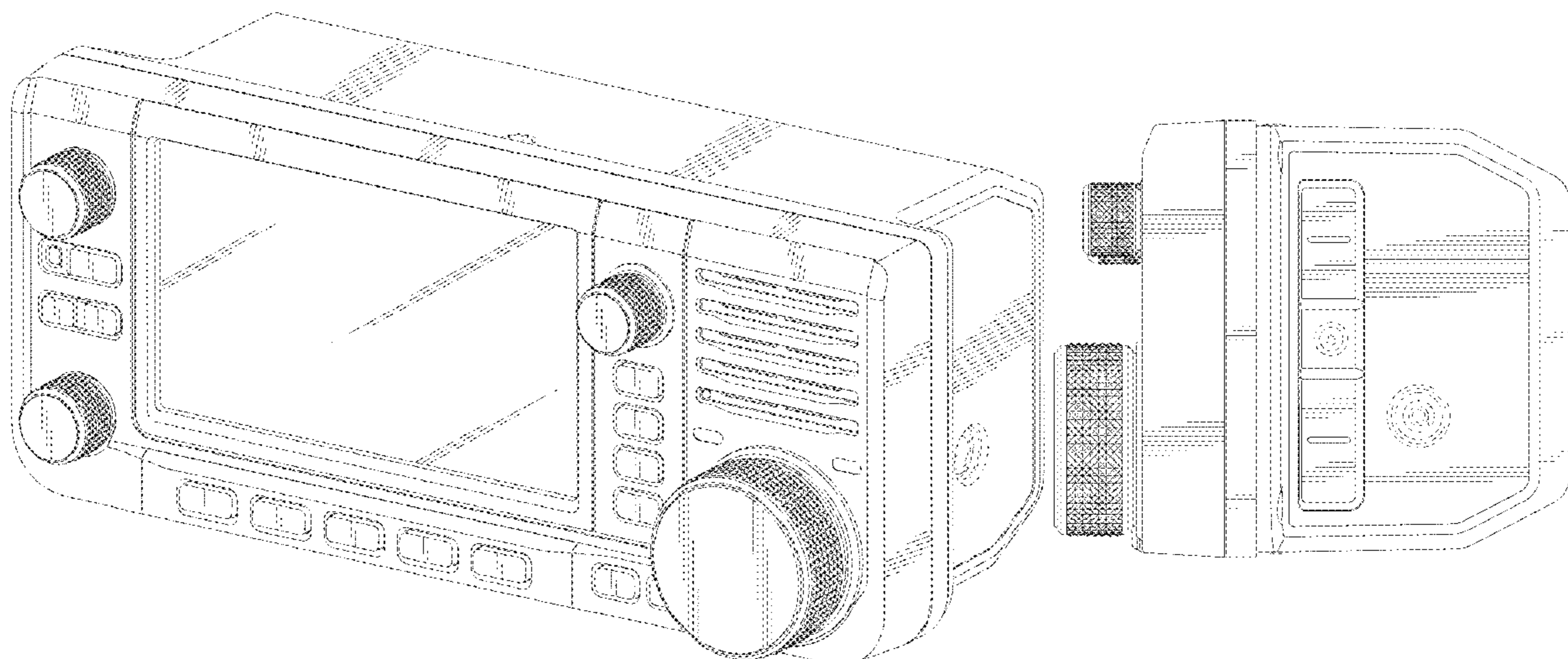
U.S. PATENT DOCUMENTS

D504,881 S * 5/2005 Kangasmaa D14/188
D599,775 S * 9/2009 Onoue D14/137
D601,999 S * 10/2009 Onoue D14/188

DESCRIPTION

FIG. 1 is a perspective view of a radio communication device;
FIG. 2 is a front view thereof;
FIG. 3 is a rear view thereof;
FIG. 4 is a left side view thereof;
FIG. 5 is a right side view thereof;
FIG. 6 is a top view thereof; and,
FIG. 7 is a bottom view thereof.
The broken lines depict portions of the radio communication device in which the design is embodied that are not considered part of the claimed design.

1 Claim, 7 Drawing Sheets



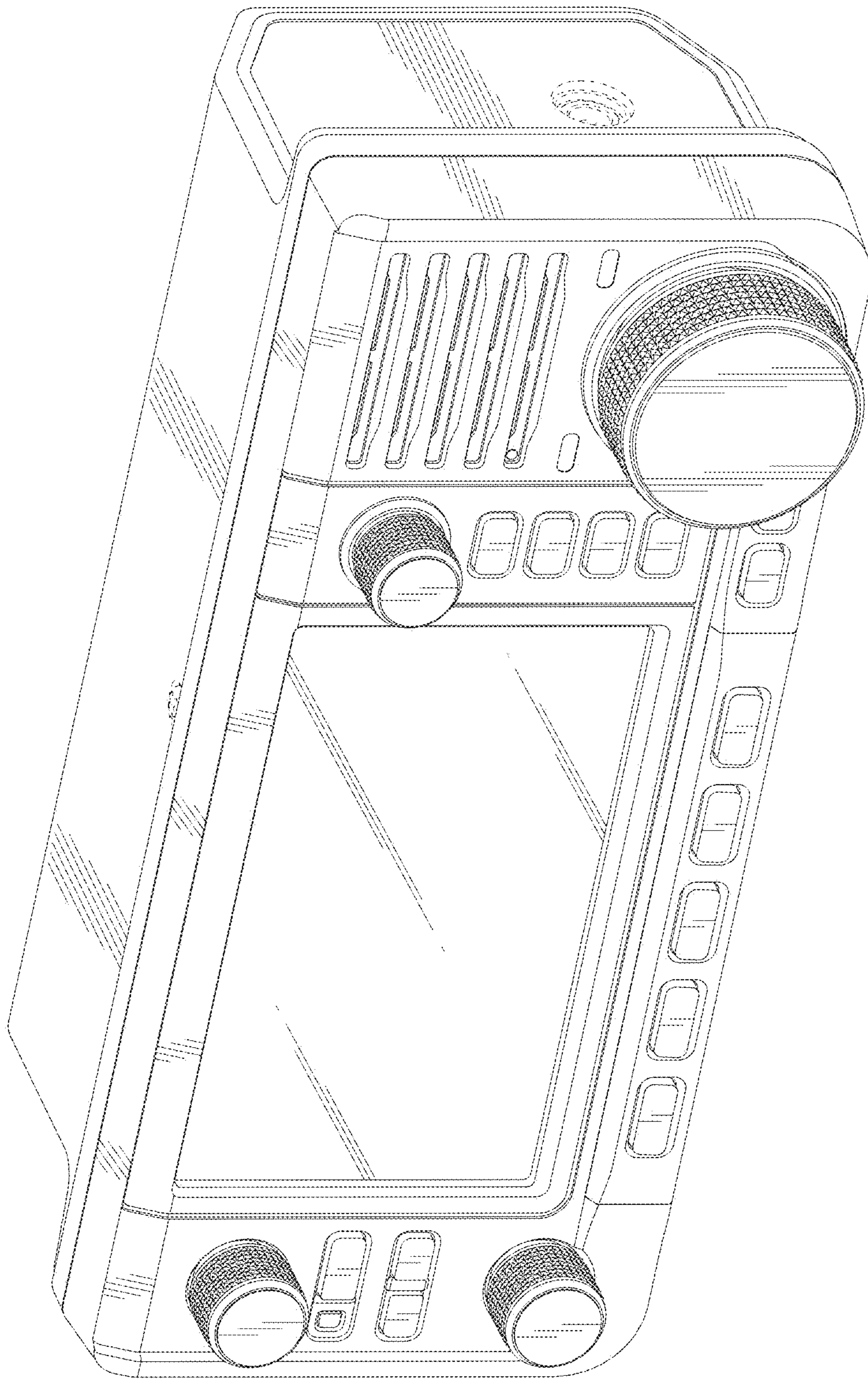


FIG.1

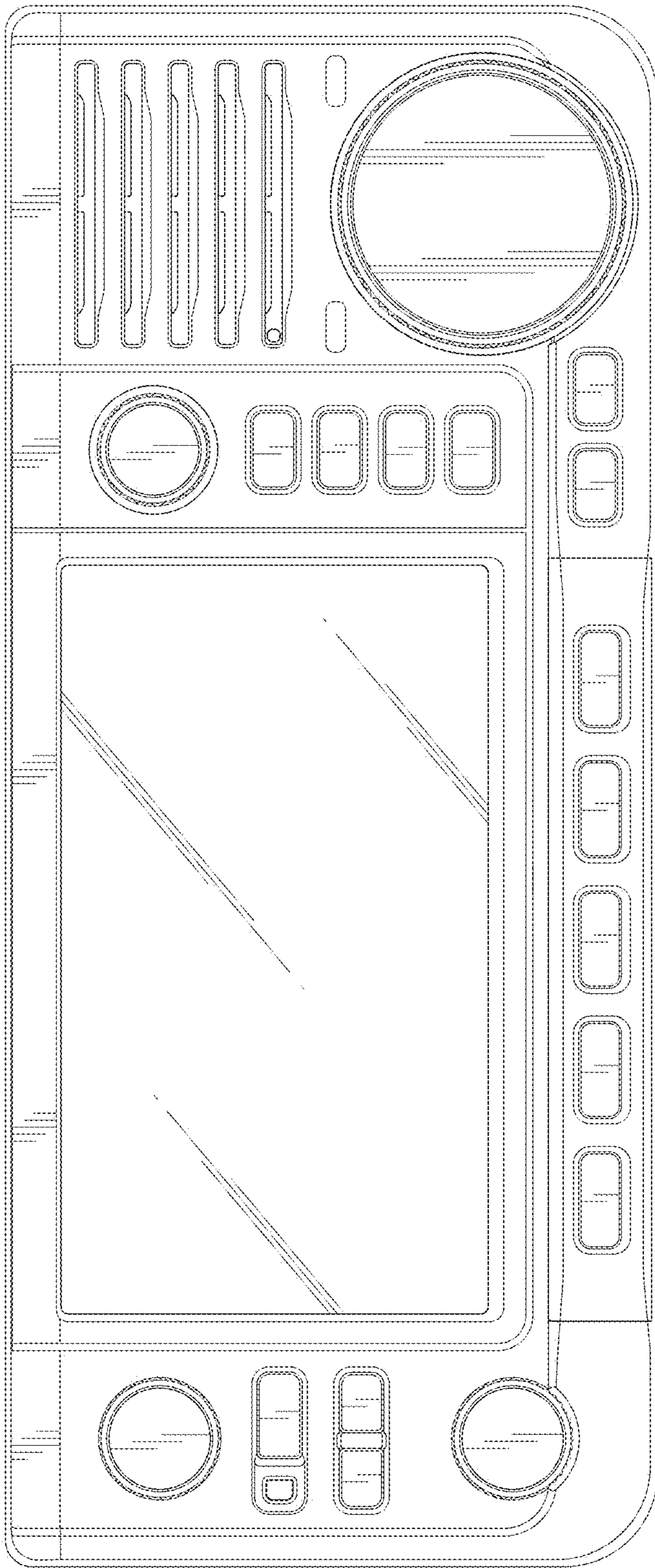


FIG. 2

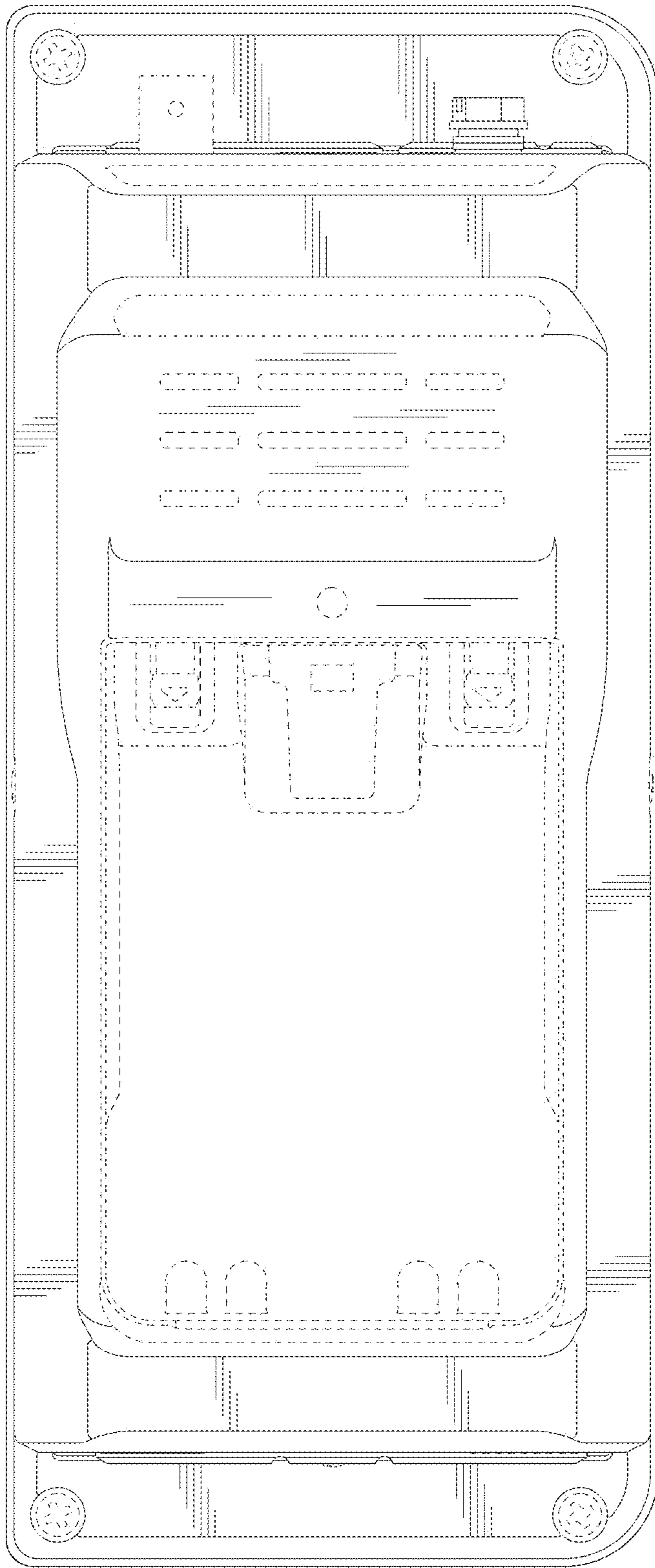


FIG. 3

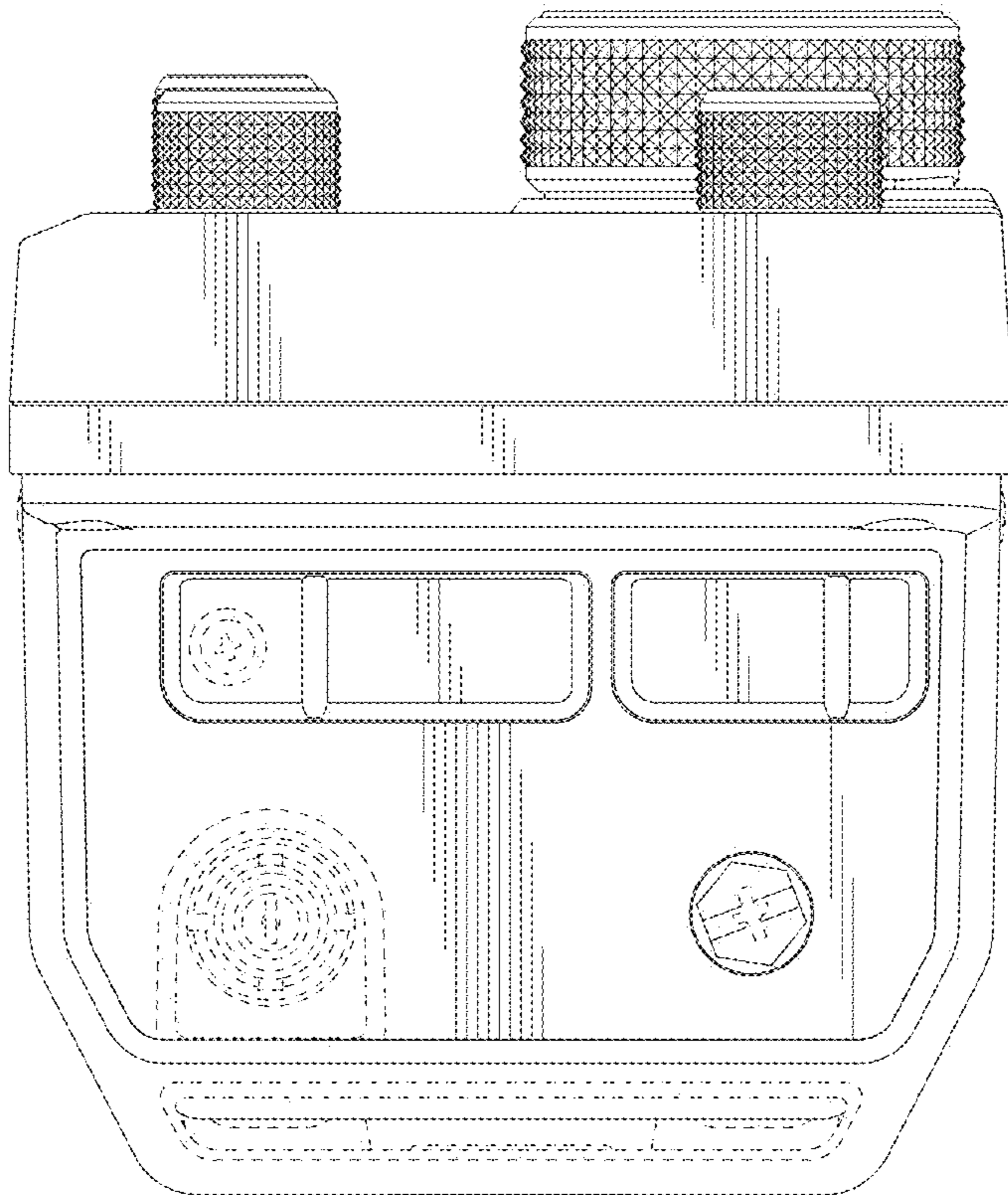


FIG.4

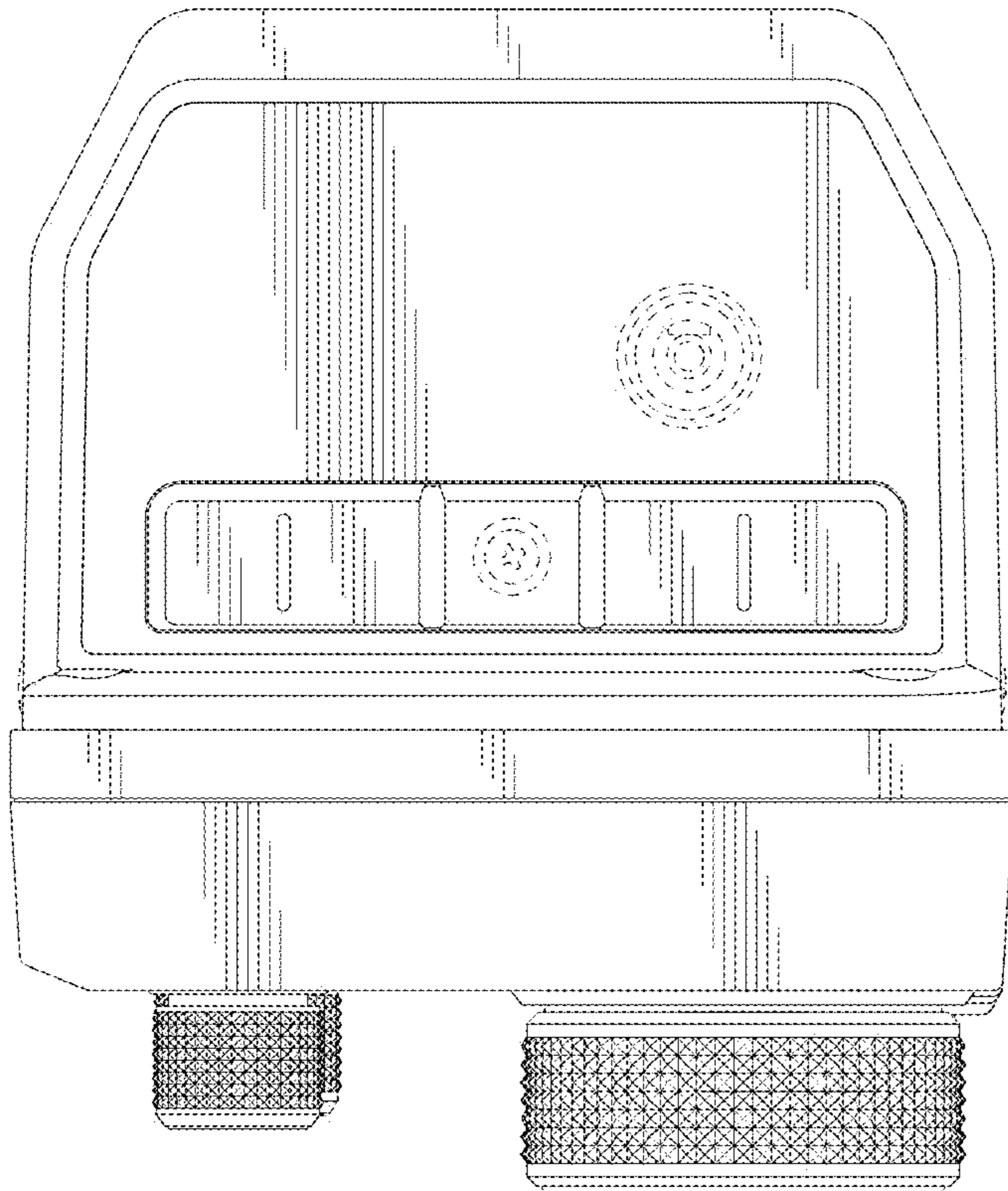


FIG. 5

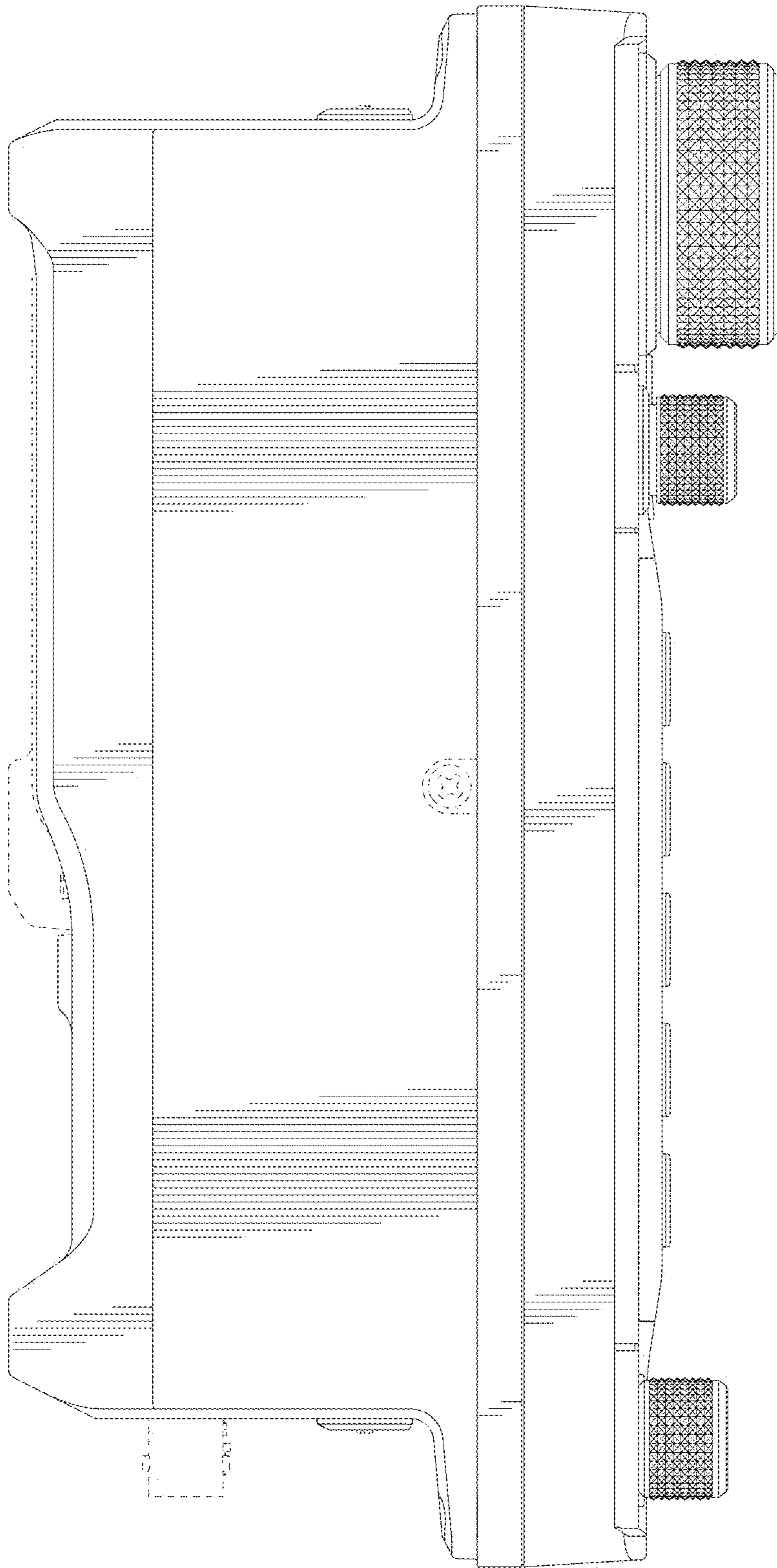


FIG. 6

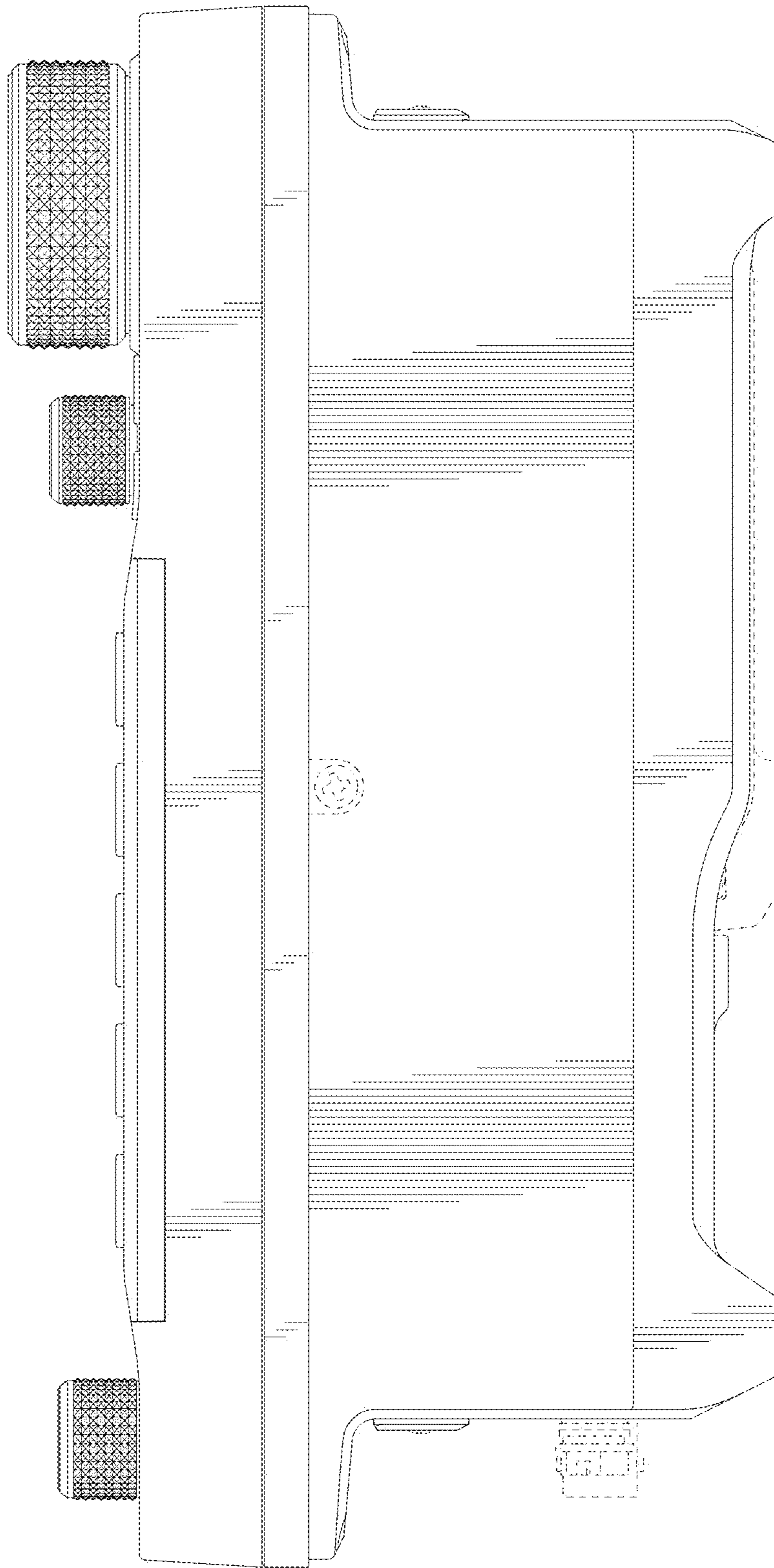


FIG. 7