



US00D948464S

(12) **United States Design Patent** (10) **Patent No.:** **US D948,464 S**
Wang et al. (45) **Date of Patent:** **** Apr. 12, 2022**

(54) **TELEVISION DISPLAY SCREEN**

(71) Applicant: **Beijing Xiaomi Mobile Software Co., Ltd.**, Beijing (CN)

(72) Inventors: **Luxi Wang**, Beijing (CN); **Ning Li**, Beijing (CN)

(73) Assignee: **BEIJING XIAOMI MOBILE SOFTWARE CO., LTD.**, Beijing (CN)

(**) Term: **15 Years**

(21) Appl. No.: **35/508,219**

(22) Filed: **Sep. 25, 2019**

(80) **Hague Agreement Data**

Int. Filing Date: **Sep. 25, 2019**

Int. Reg. No.: **DM/205060**

Int. Reg. Date: **Sep. 25, 2019**

Int. Reg. Pub. Date: **Dec. 27, 2019**

(30) **Foreign Application Priority Data**

Apr. 8, 2019 (CN) 201930155149.0

(51) **LOC (13) Cl.** **14-03**

(52) **U.S. Cl.**
USPC **D14/126**

(58) **Field of Classification Search**

USPC D6/300, 308, 310, 642, 643, 650.1,
D6/653.15, 654.15, 657, 661, 675;

(Continued)

(56) **References Cited**

U.S. PATENT DOCUMENTS

D810,038 S * 2/2018 Kim D14/126
D817,292 S * 5/2018 Kim D14/126

(Continued)

OTHER PUBLICATIONS

Video: LG's "Wallpaper" OLED TV is really very flexible, publication date Feb. 17, 2017, [online][site visited Nov. 18, 2020] URL: <https://www.whathifi.com/news/video-lgs-wallpaper-oled-tv-really-very-flexible> (Year: 2017).*

(Continued)

Primary Examiner — L. A. Grabenstetter

(74) *Attorney, Agent, or Firm* — Syncoda LLC; Feng Ma

(57) **CLAIM**

The ornamental design for a television display screen, as shown and described.

DESCRIPTION

1. Television screen

1.1 is a front view of a television display screen showing our new design;

1.2 is a back view thereof;

1.3 is a left view thereof;

1.4 is a right view thereof;

1.5 is a top view thereof;

1.6 is a bottom view thereof;

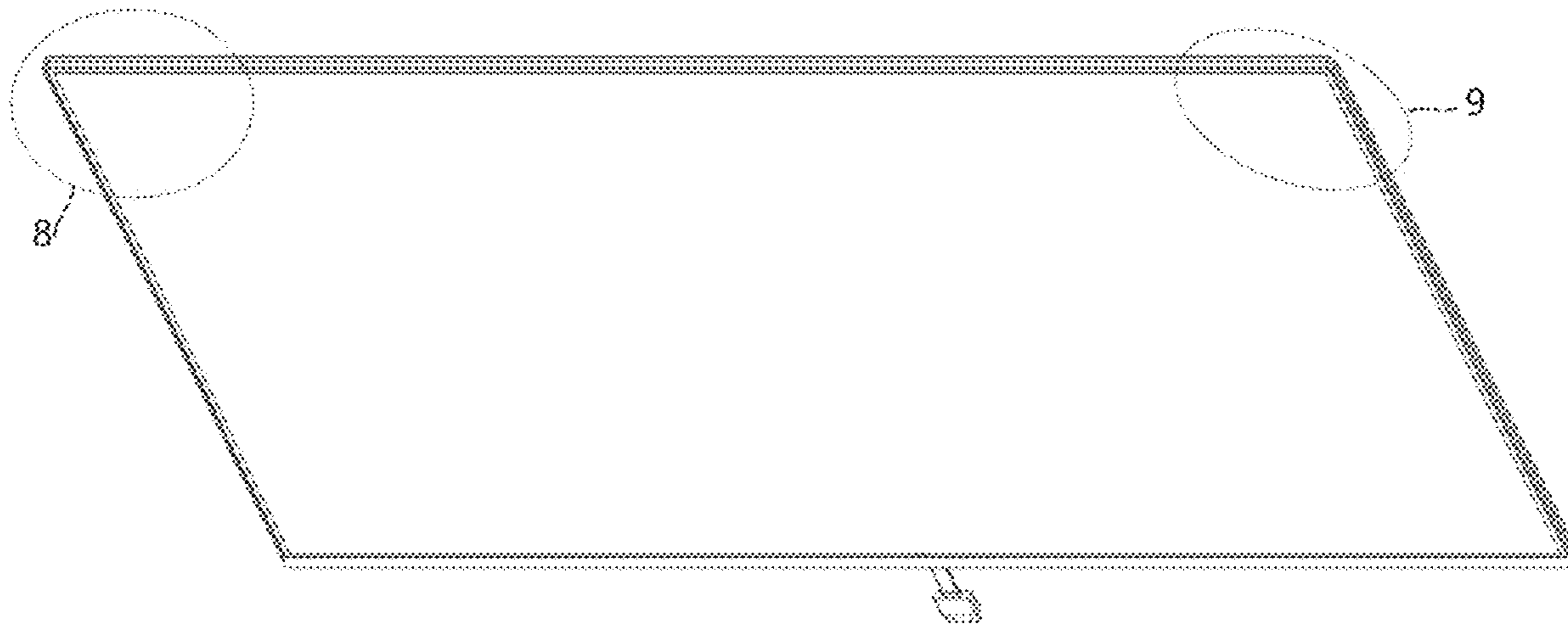
1.7 is a front and top side perspective view thereof;

1.8 is a partial enlarged view of a portion of the television display screen circumscribed by a long dash-short dash broken line in reproduction **1.7** and identified by a reference numeral **8**; and

1.9 is another partial enlarged view of a portion of the television display screen circumscribed by a long dash-short dash broken line in reproduction **1.7** and identified by a reference numeral **9**.

The broken lines in the drawings are for the purpose of illustrating portions of the television display screen that form no part of the claimed design. The long dash-short dash broken lines in reproductions **1.7**, **1.8** and **1.9** illustrate the boundaries of the partial enlarged views that form part of the claimed design.

1 Claim, 8 Drawing Sheets



(58) **Field of Classification Search**

USPC D14/125, 126, 127, 128, 129, 132, 336,
D14/341, 373–377; D16/229, 235, 241
CPC G06F 1/1601; G06F 1/1605; G06F 1/162
See application file for complete search history.

(56) **References Cited**

U.S. PATENT DOCUMENTS

D817,293	S	*	5/2018	Kim	D14/126
D817,294	S	*	5/2018	Kim	D14/126
D817,295	S	*	5/2018	Kim	D14/126
D819,587	S	*	6/2018	Kim	D14/126
D819,589	S	*	6/2018	Kim	D14/126
D823,271	S	*	7/2018	Shen	D14/126
D823,822	S	*	7/2018	Kim	D14/126
D860,960	S	*	9/2019	Kim	D14/126
D872,040	S	*	1/2020	Wu	D14/126

OTHER PUBLICATIONS

LG OLED65W review, publication date Mar. 13, 2017, [online][site visited Nov. 18, 2020] URL: <https://www.whathifi.com/lg/oled65w7/review> (Year: 2017).*

LG OLED65W7 ‘Wallpaper’ OLED TV review, publication date Mar. 14, 2017, [online][site visited Nov. 18, 2020] URL: <https://www.forbes.com/sites/johnarcher/2017/03/14/g-oled65w7-w7-oled-tv-review-the-bar-is-set/> (Year: 2017).*

Xiaomi has introduced super-thin wall-mounted 65" smart tv, publication date Apr. 23, 2019, [online][site visited Nov. 17, 2020] URL: <https://xiaomiplanets.com/xiaomi-nastenna-tv-showing/> (Year: 2019).*

Sharp’s 90-inch AQUOS LED TV, publication date Jun. 18, 2012, [online] URL: <https://mashable.com/2012/06/18/sharp-largest-t/> (Year: 2012).*

This Is How The Xiaomi Mi TV 4A Looks Like, publication date Mar. 21, 2017, [online] URL: <https://www.gizmochina.com/2017/03/21/xiaomi-mi-tv-4a-actual-pictures-released/> (Year: 2017).*

The 12 Best Cheap TVs on Amazon, publication date Aug. 3, 2017, [online] URL: <https://nymag.com/strategist/article/best-cheap-flat-screen-tvs-deals-under-500-1000-samsung.html> (Year: 2017).*

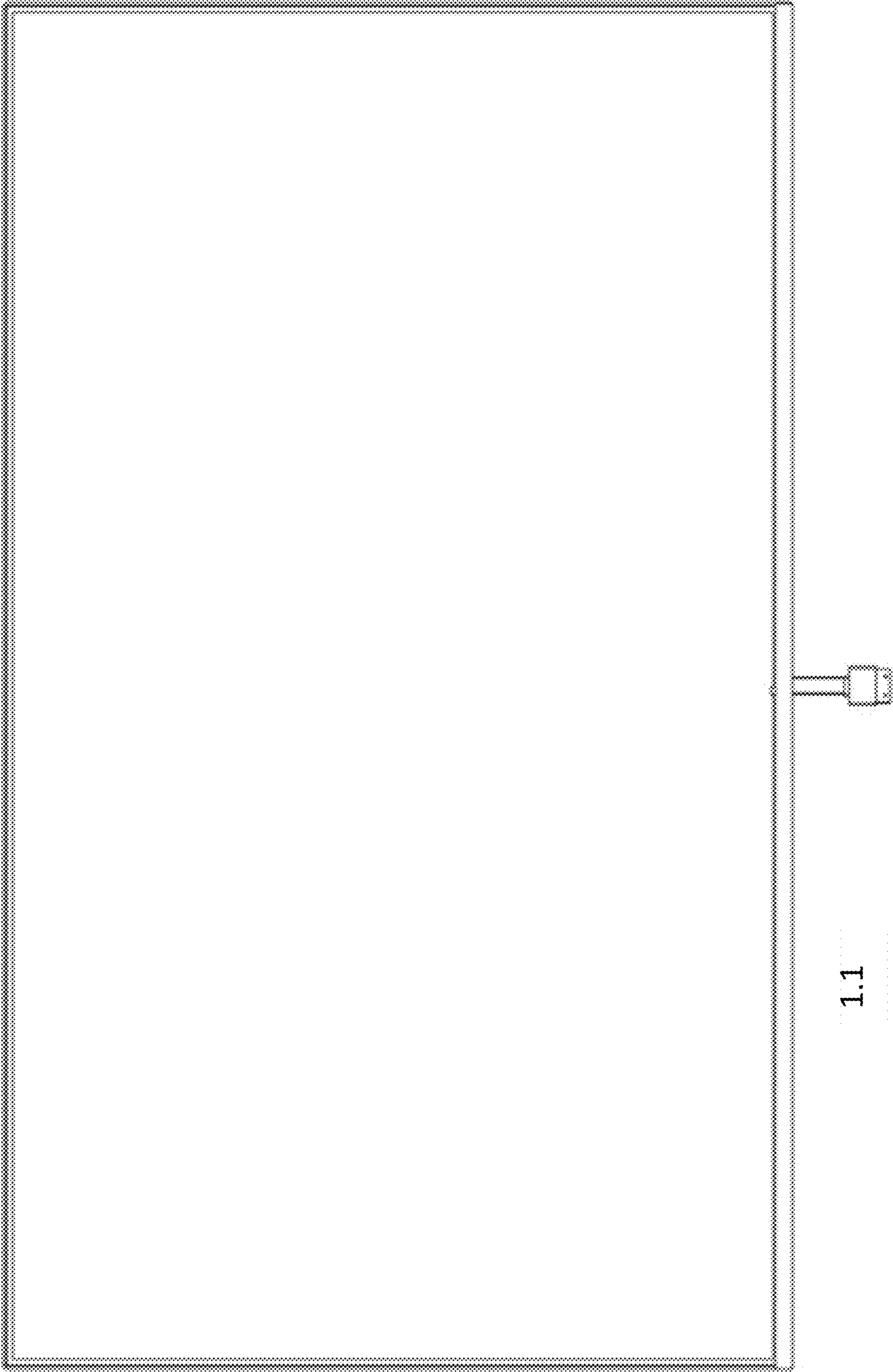
State Intellectual Property Office of the People’s Republic of China, Decision of Refusal Issued in Application No. 2019301551490, Jan. 16, 2020, 3 pages. (Submitted with English Translation).

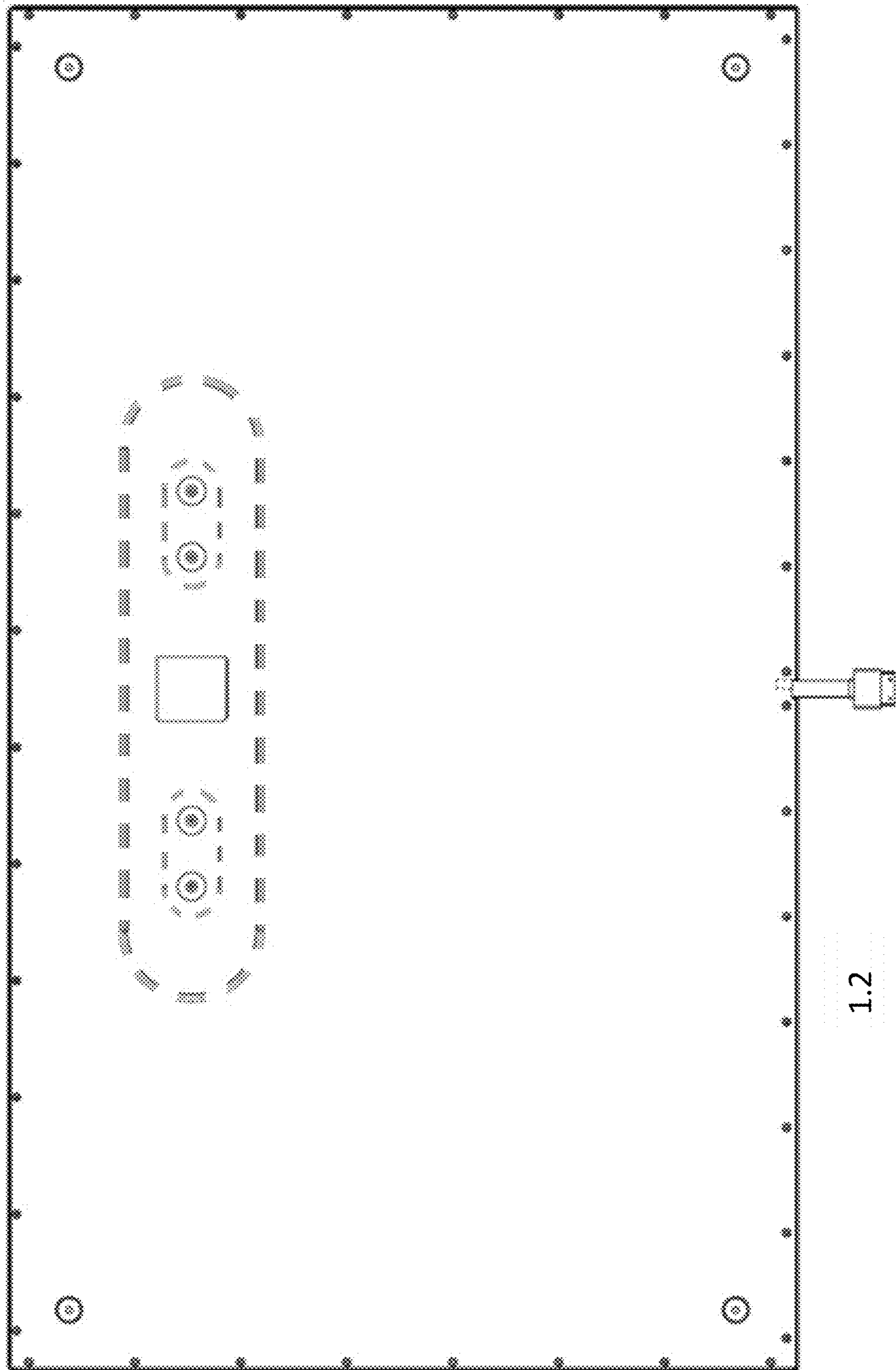
Office Action issued in corresponding Indian Design Application No. 322193-001 dated Oct. 23, 2019, 10 pages.

State Intellectual Property Office of the People’s Republic of China, Office Action and Search Report Issued in Application No. 2019301551490, Oct. 14, 2019, 3 pages. (Submitted with English Translation).

State Intellectual Property Office of the People’s Republic of China, Notice of the first amendment Issued in Application No. 2019301551490, May 18, 2020, 3 pages, (Submitted with Machine Translation).

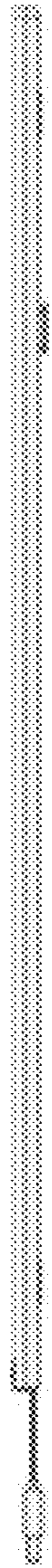
* cited by examiner







1.3



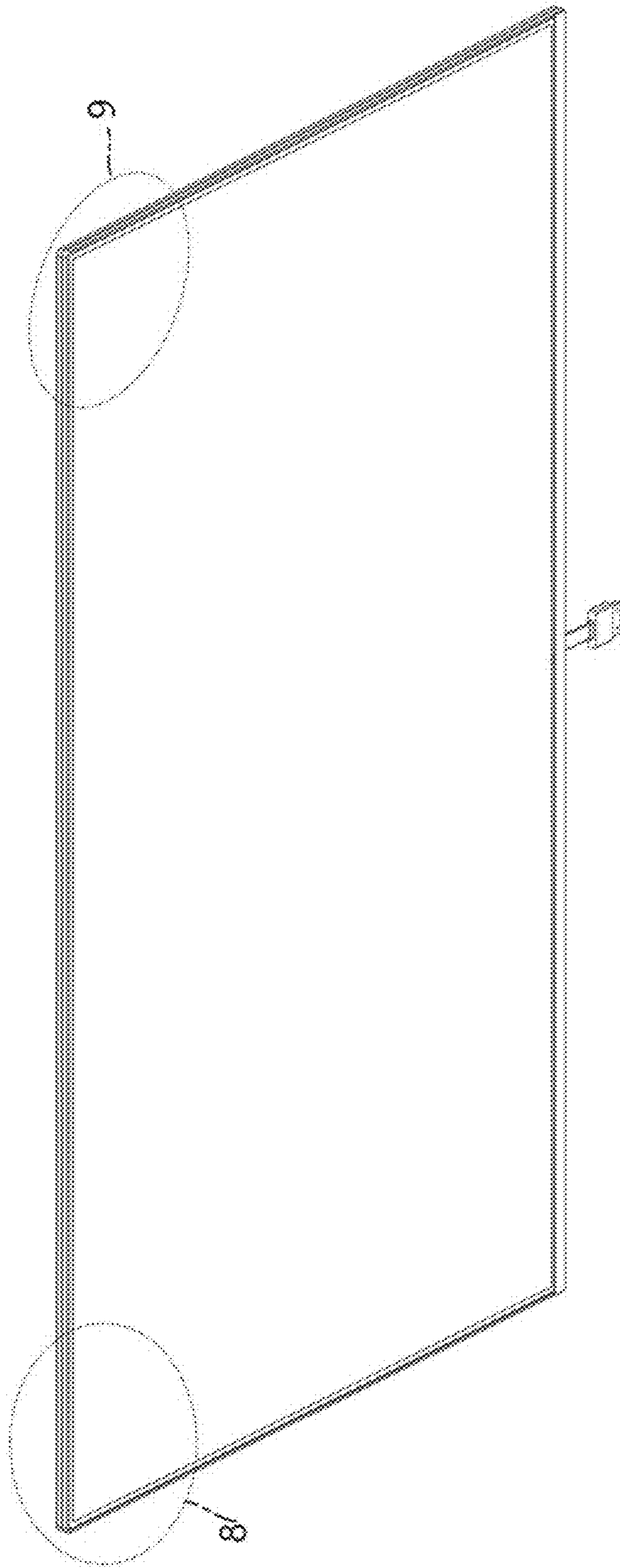
1.4



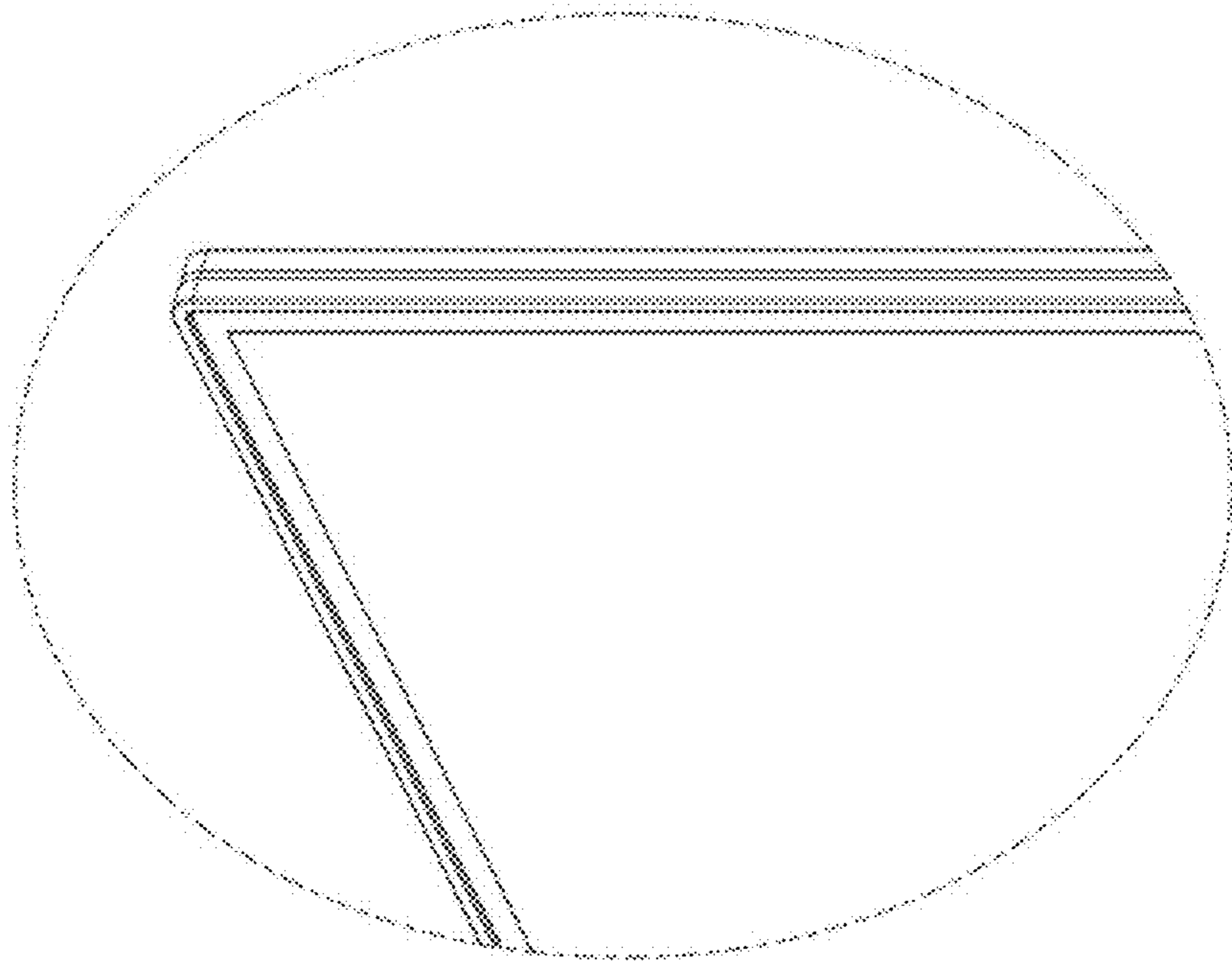
1.5



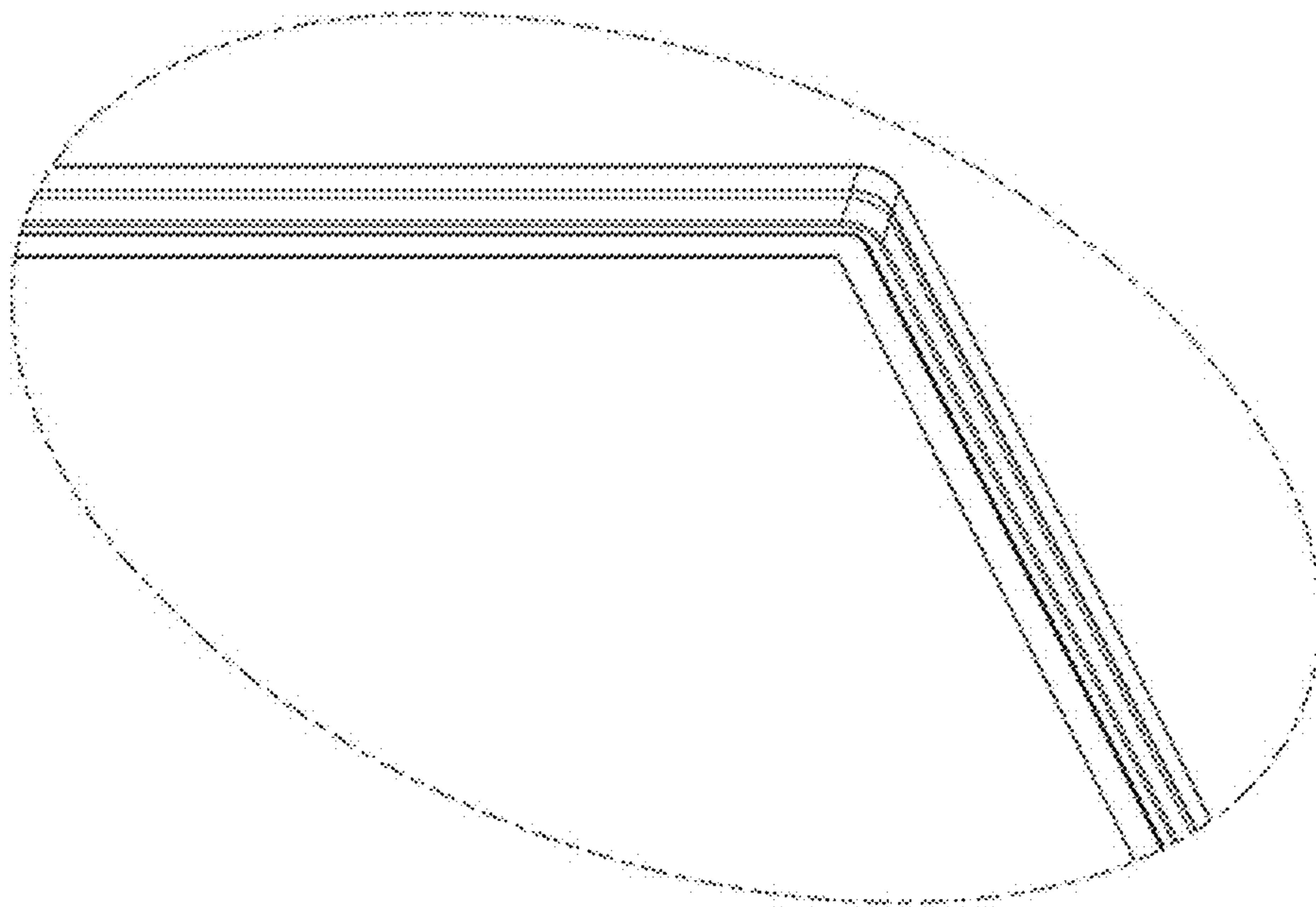
1.6



1.7



1.8



1.9