



US00D948460S

(12) **United States Design Patent**
Chan

(10) **Patent No.:** **US D948,460 S**
(45) **Date of Patent:** **** Apr. 12, 2022**

- (54) **ELECTRIC FAN CONTROLLER**
- (71) Applicant: **PUC Perfect Union Co., Ltd.**, New Taipei (TW)
- (72) Inventor: **Ching Chan**, New Taipei (TW)
- (73) Assignee: **PUC Perfect Union Co., Ltd.**, New Taipei (TW)
- (**) Term: **15 Years**
- (21) Appl. No.: **29/740,450**
- (22) Filed: **Jul. 3, 2020**
- (51) **LOC (13) Cl.** **13-03**
- (52) **U.S. Cl.**
USPC **D13/162**; D10/50
- (58) **Field of Classification Search**
USPC D13/158, 162, 169, 171, 184; D10/40, D10/49, 50
CPC G05D 23/00; G05D 23/19; G05D 23/1902; G05D 23/1904; H01H 3/0213; H01H 3/08; H01H 19/63; H01H 13/58
See application file for complete search history.

(56) **References Cited**

U.S. PATENT DOCUMENTS

- 4,133,990 A * 1/1979 Wanner H01H 19/63 200/11 R
- D255,564 S * 6/1980 Brooksby D13/164
- D298,417 S * 11/1988 Sund D10/40
- D309,889 S * 8/1990 Cheng D13/165
- D310,063 S * 8/1990 Cheng D13/137.3
- D389,753 S * 1/1998 Wan D10/40
- D390,826 S * 2/1998 Bates D10/40
- D447,429 S * 9/2001 Odom D10/49
- D477,286 S * 7/2003 Krajci D13/162
- D481,687 S * 11/2003 Moriya D13/171
- D561,117 S * 2/2008 Ni D13/171
- 8,253,272 B2 * 8/2012 Schulzman F04D 25/068 307/40
- 9,671,125 B2 * 6/2017 Mowris G05D 23/1951

- D813,826 S * 3/2018 Dalton D13/168
- D827,583 S * 9/2018 Oleson D13/162
- 2010/0187318 A1 * 7/2010 Yu G05B 15/02 236/49.3

OTHER PUBLICATIONS

Cdsmall Electronic Fan Speed Controller; Jun. 18, 2019; 3 pgs.; https://www.amazon.com/Electronic-Controller-Variable-Adjuster-Hydroponics/dp/B07T9BLJ7L/ref=sr_1_1_sspa?keywords=Fan+Speed+Control&qid=1641567766&sr=8-1-spons&psc=1&smid=A1F1UTT2UICH0&spLa=ZW5jcnlwdGVkUXVhbGlmaWVyPU EzRkVGvK4wTjZDV0JSJmVuY3J5cHRIZElkPUEwN.*
Titan Controls HGC702760 Mercury 4 Fan Speed Controller; May 6, 2014; 2 pgs.; https://www.amazon.com/Titan-Controls-Multi-Function-Controller-Single/dp/B0040R6F44.*

* cited by examiner

Primary Examiner — Selina Sikder
(74) *Attorney, Agent, or Firm* — Demian K. Jackson; Jackson IPG PLLC

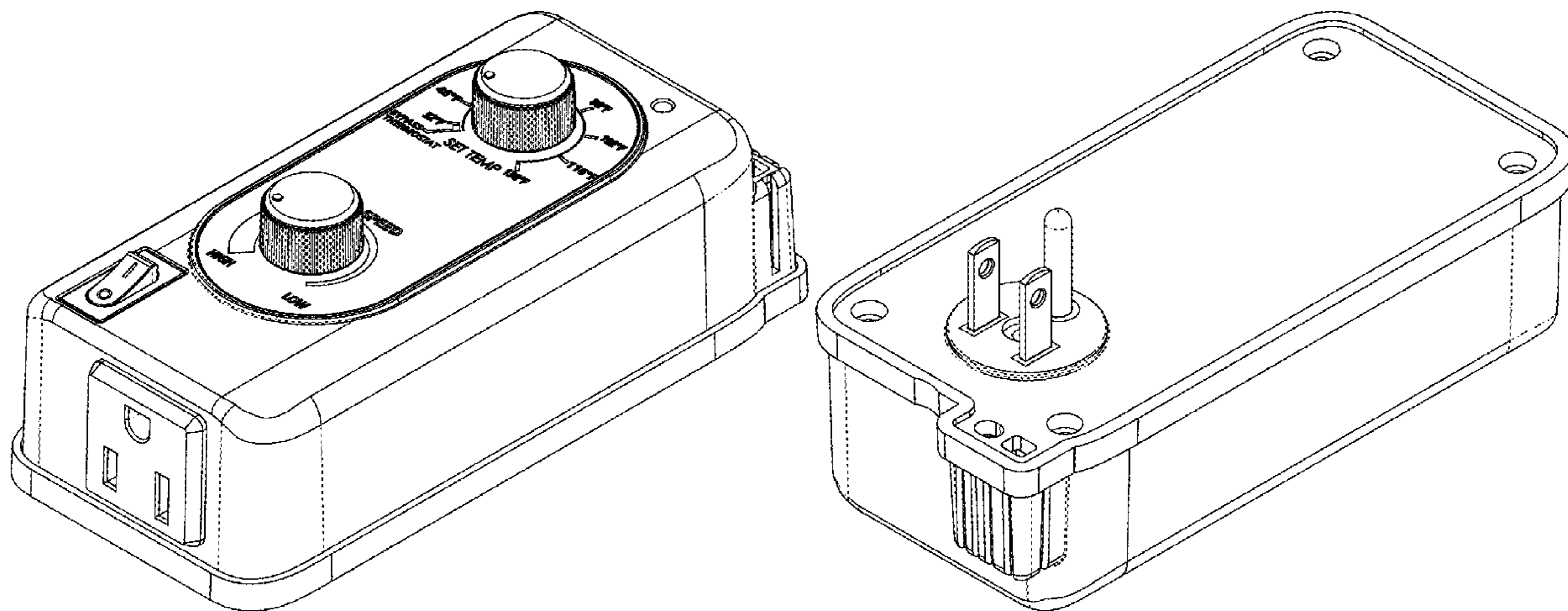
(57) **CLAIM**

The ornamental design for an electric fan controller, as shown and described.

DESCRIPTION

FIG. 1 is a top front and right side perspective view of electric fan controller showing my new design;
FIG. 2 is a top rear and left side perspective view of electric fan controller showing my new design;
FIG. 3 is a front elevational view thereof;
FIG. 4 is a rear elevational view thereof;
FIG. 5 is a left side elevational view thereof;
FIG. 6 is a right side elevational view thereof;
FIG. 7 is a top plan view thereof; and,
FIG. 8 is a bottom plan view thereof.

1 Claim, 4 Drawing Sheets



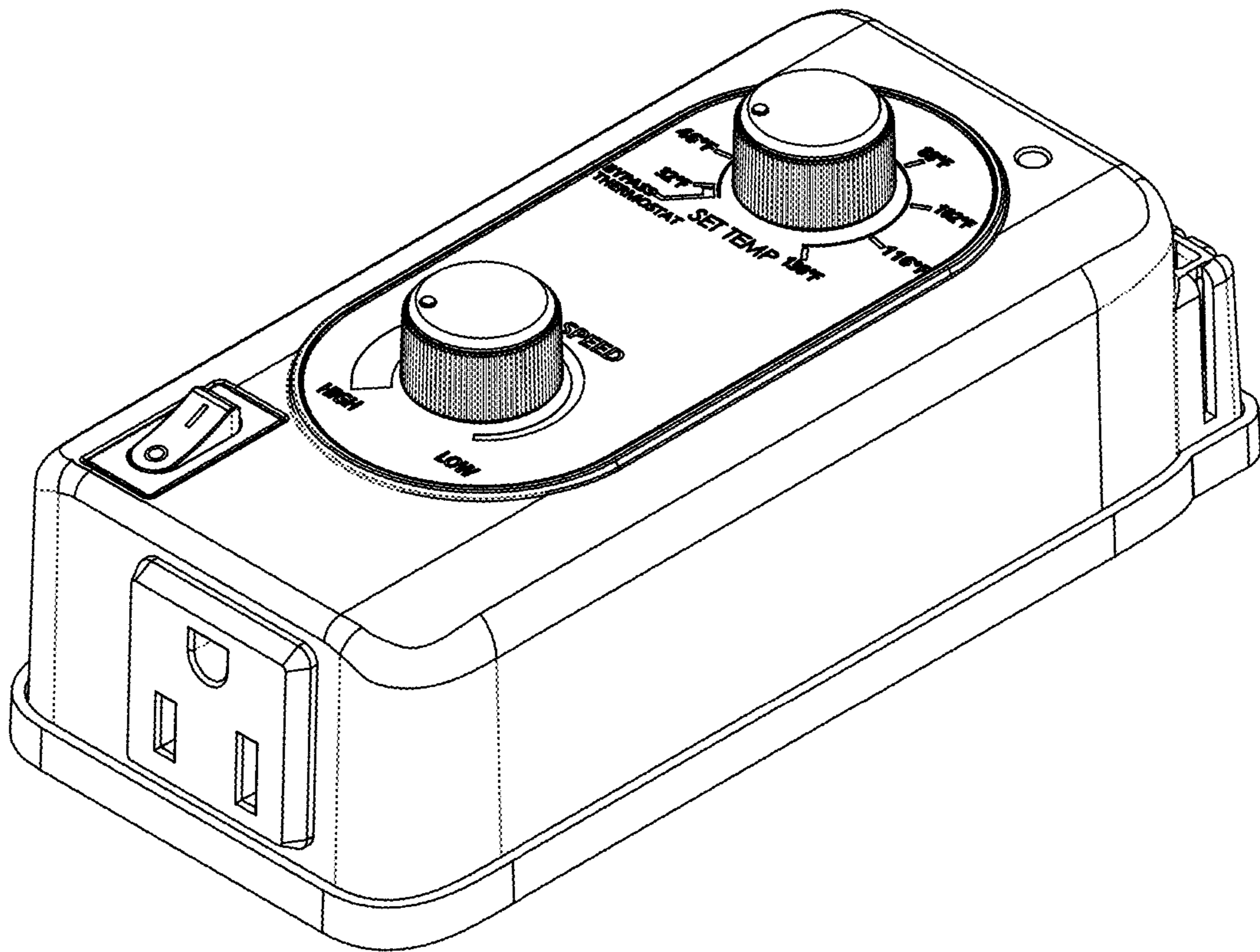


Fig. 1

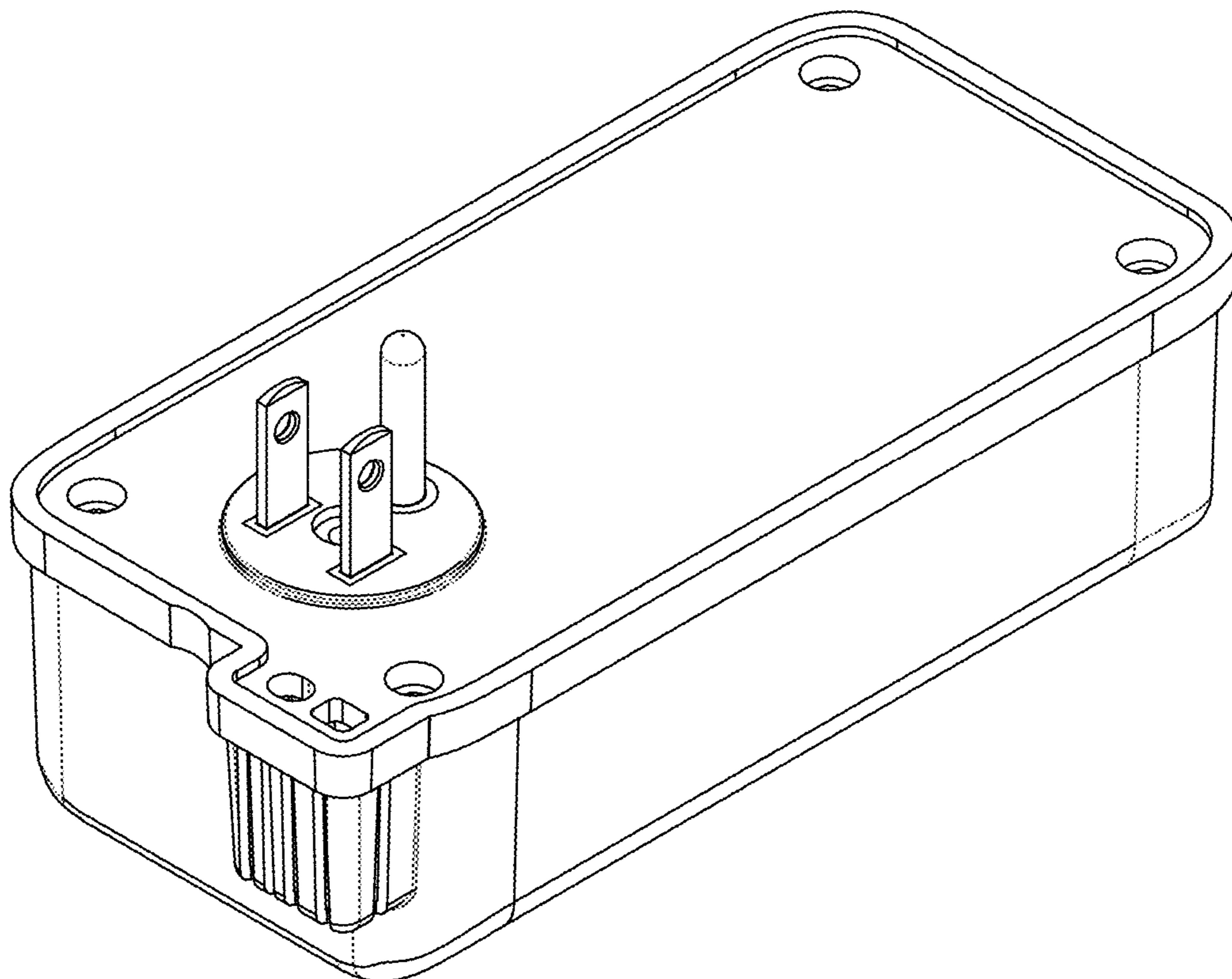


Fig. 2

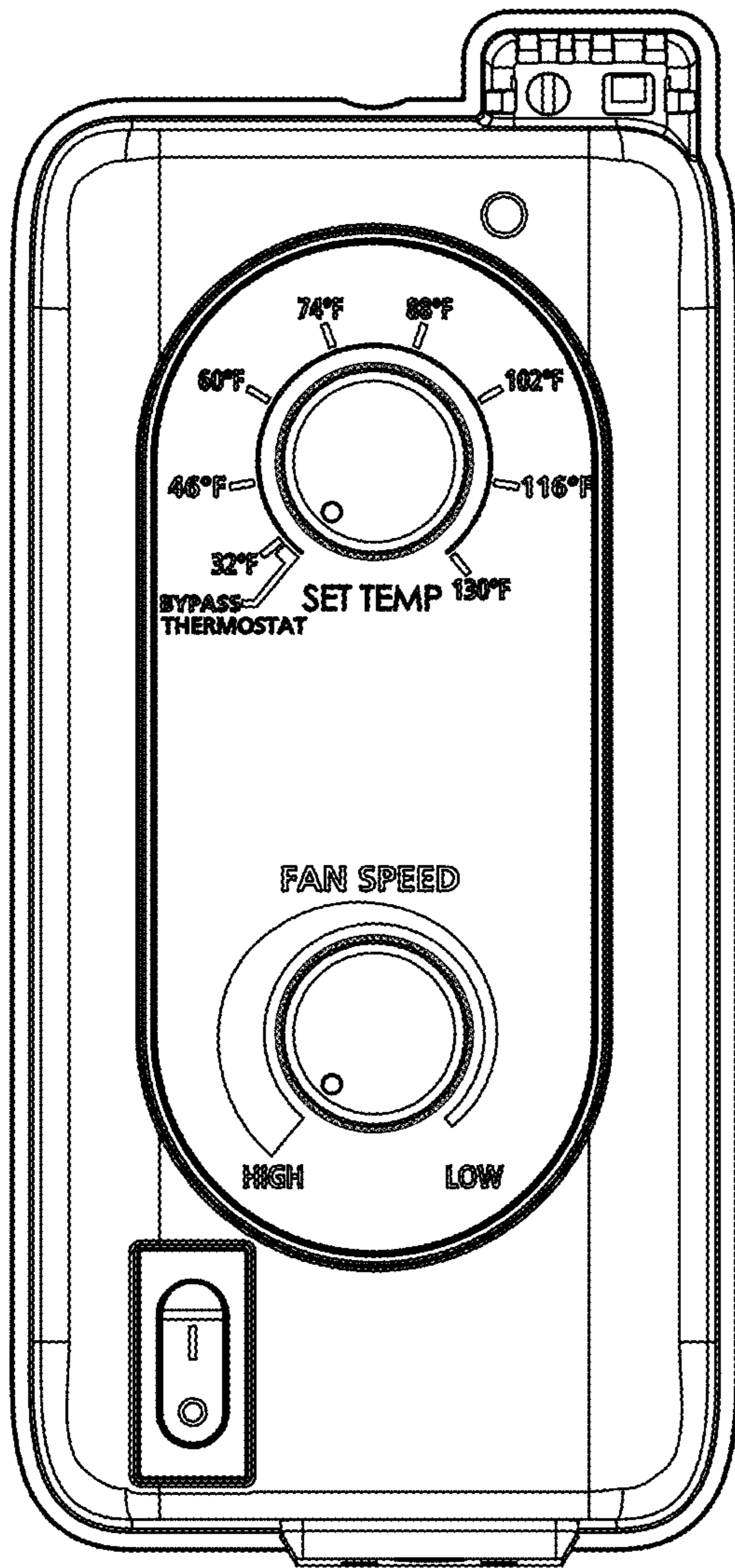


Fig. 3

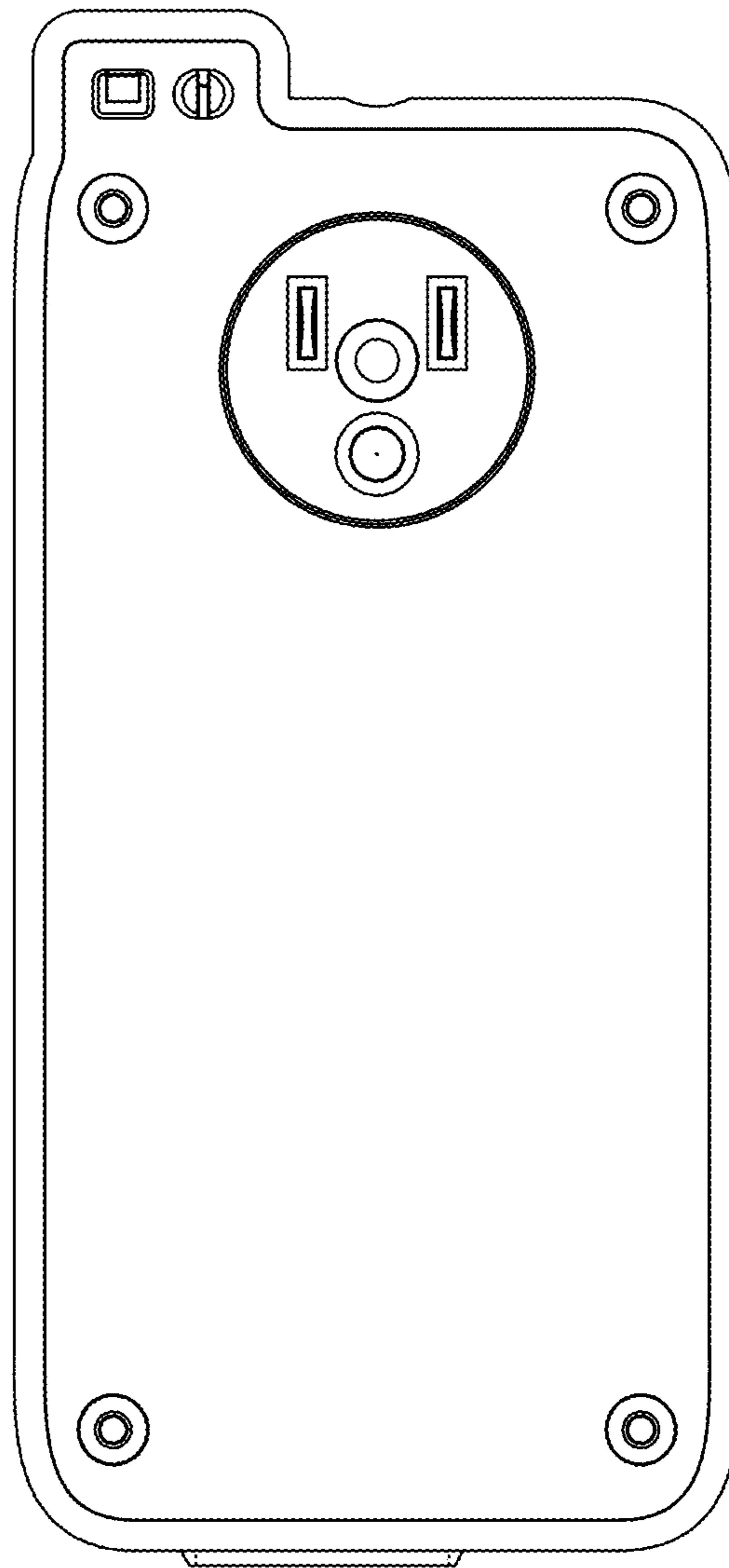


Fig. 4

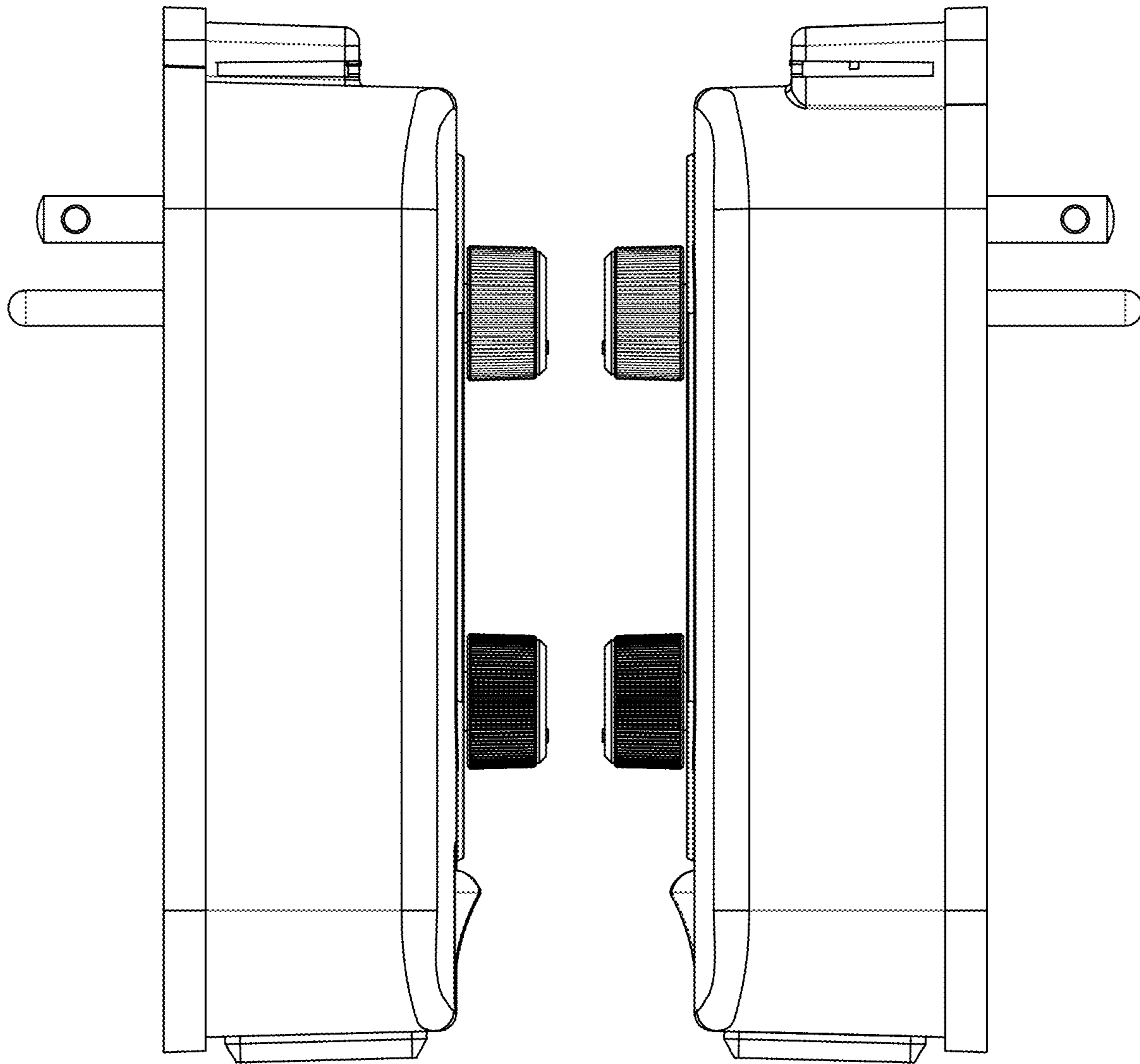


Fig. 5

Fig. 6

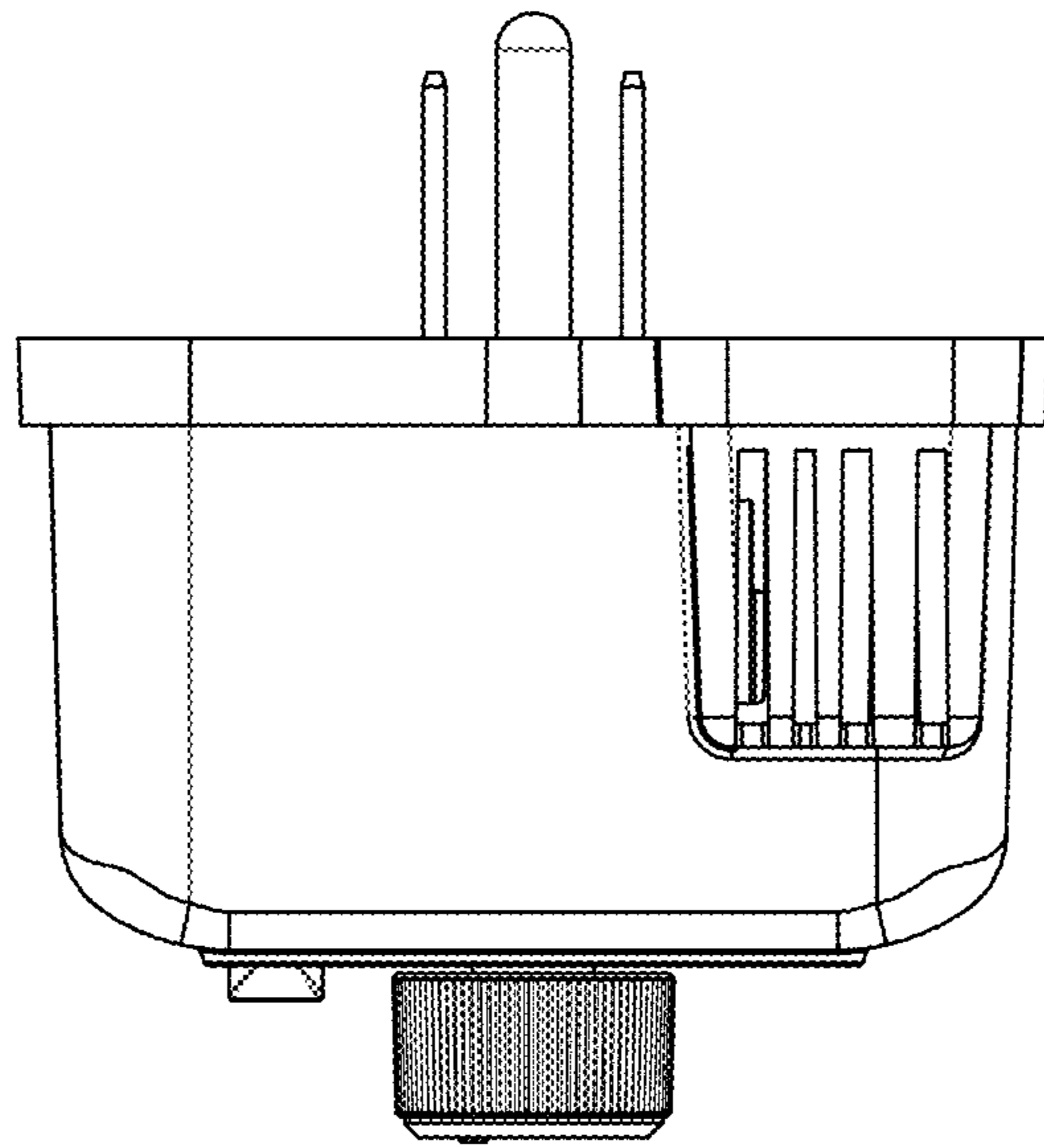


Fig. 7

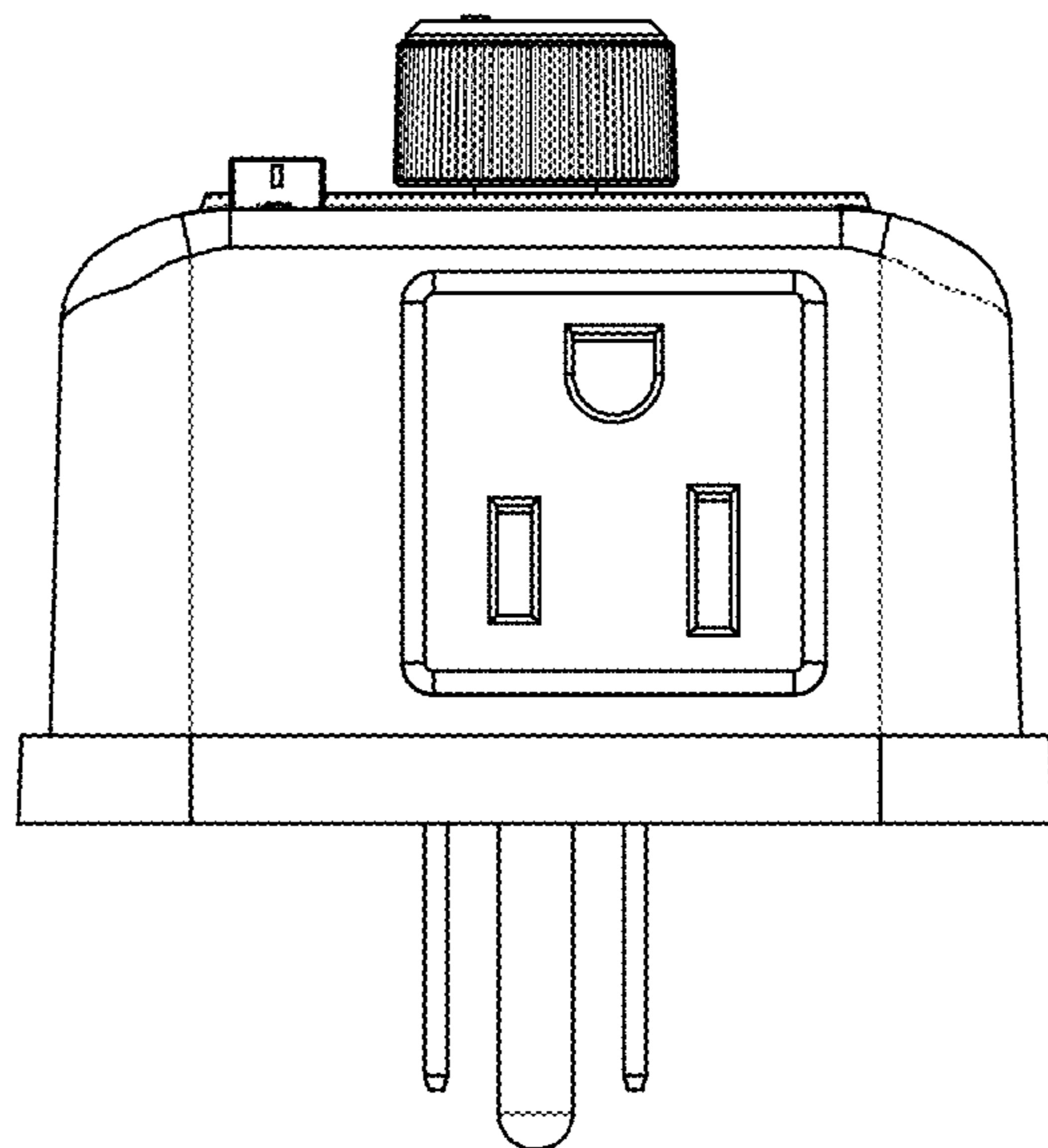


Fig. 8