



US00D948458S

(12) **United States Design Patent**
Wu

(10) **Patent No.:** **US D948,458 S**

(45) **Date of Patent:** **** Apr. 12, 2022**

- (54) **ELECTRONIC SWITCH BASE**
- (71) Applicant: **SONG CHUAN PRECISION CO., LTD.**, New Taipei (TW)
- (72) Inventor: **Sung-Jen Wu**, New Taipei (TW)
- (73) Assignee: **SONG CHUAN PRECISION CO., LTD.**, New Taipei (TW)
- (**) Term: **15 Years**
- (21) Appl. No.: **29/759,114**
- (22) Filed: **Nov. 20, 2020**
- (51) **LOC (13) Cl.** **13-03**
- (52) **U.S. Cl.**
USPC **D13/158**
- (58) **Field of Classification Search**
USPC D13/114, 137.3, 139.6, 139.8, 152, 158,
D13/159, 173, 176, 178, 199; D14/447;
D15/9, 140; D6/534; D23/365
CPC H01H 50/56; H01H 50/64; H01H 33/08;
H01H 33/42; H01H 9/32; H01H 9/34;
A47B 81/06
See application file for complete search history.

D417,436 S *	12/1999	Tsui	D13/173
D443,923 S *	6/2001	Nilsson	D23/365
D519,121 S *	4/2006	Zamanian	D14/447
D524,319 S *	7/2006	Zamanian	D14/447
D648,162 S *	11/2011	Michnuk	D6/534
D648,164 S *	11/2011	Michnuk	D6/534
D859,419 S *	9/2019	Cover	D14/447
D886,746 S *	6/2020	Anadasu	D13/158
D920,932 S *	6/2021	Zhuang	D13/173

* cited by examiner

Primary Examiner — Shawn T Gingrich

Assistant Examiner — Bryan N. Melvin

(74) *Attorney, Agent, or Firm* — Fei-Hung Yang

(57) **CLAIM**

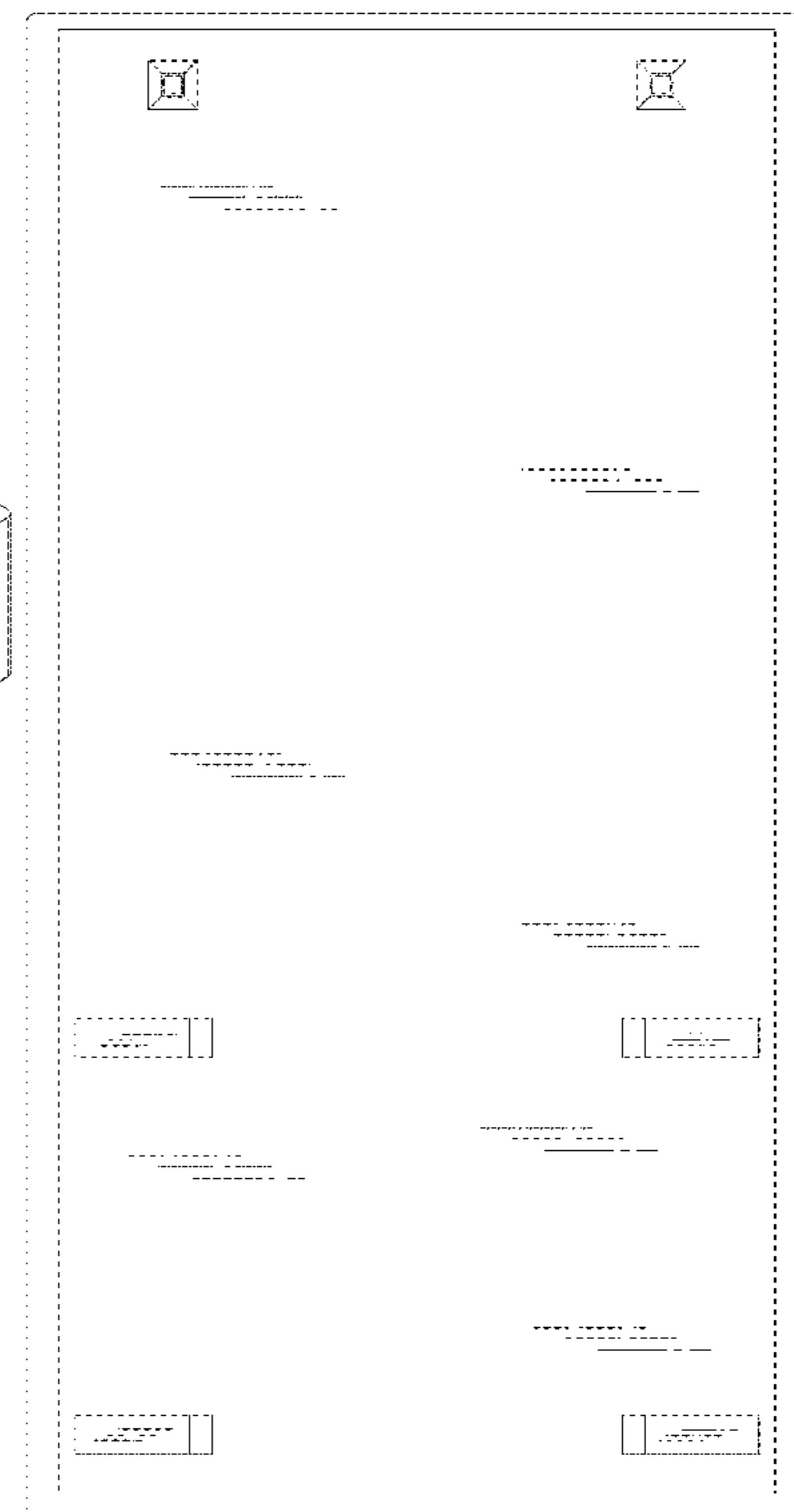
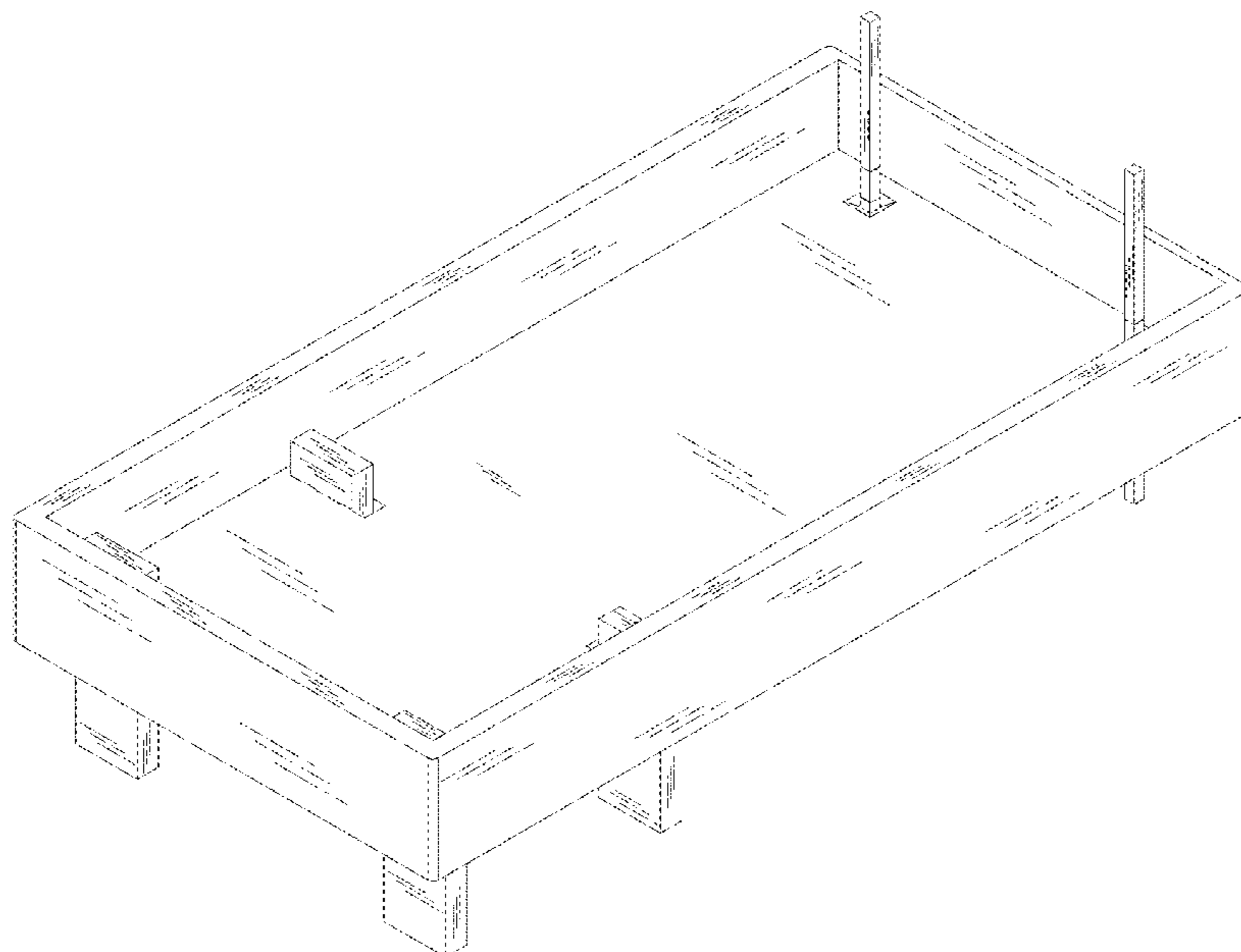
The ornamental design for an electronic switch base, as shown and described.

DESCRIPTION

FIG. 1 is a perspective view of an electronic switch base showing my new design;
 FIG. 2 is a front elevational view thereof;
 FIG. 3 is a rear elevational view thereof;
 FIG. 4 is a left side view thereof;
 FIG. 5 is a right side view thereof;
 FIG. 6 is a top plan view thereof; and,
 FIG. 7 is a bottom plan view thereof.
 The broken lines in the drawings illustrate portions of the electronic switch base that form no part of the claimed design.

1 Claim, 7 Drawing Sheets

- (56) **References Cited**
U.S. PATENT DOCUMENTS
- | | | | |
|---------------|---------|-----------------|-----------------------|
| D183,964 S * | 11/1958 | Eisenburg | D13/158 |
| D305,021 S * | 12/1989 | Bench | D13/162 |
| D366,659 S * | 1/1996 | Ross | D14/447 |
| 5,685,441 A * | 11/1997 | Calfee | A47B 81/06
211/188 |



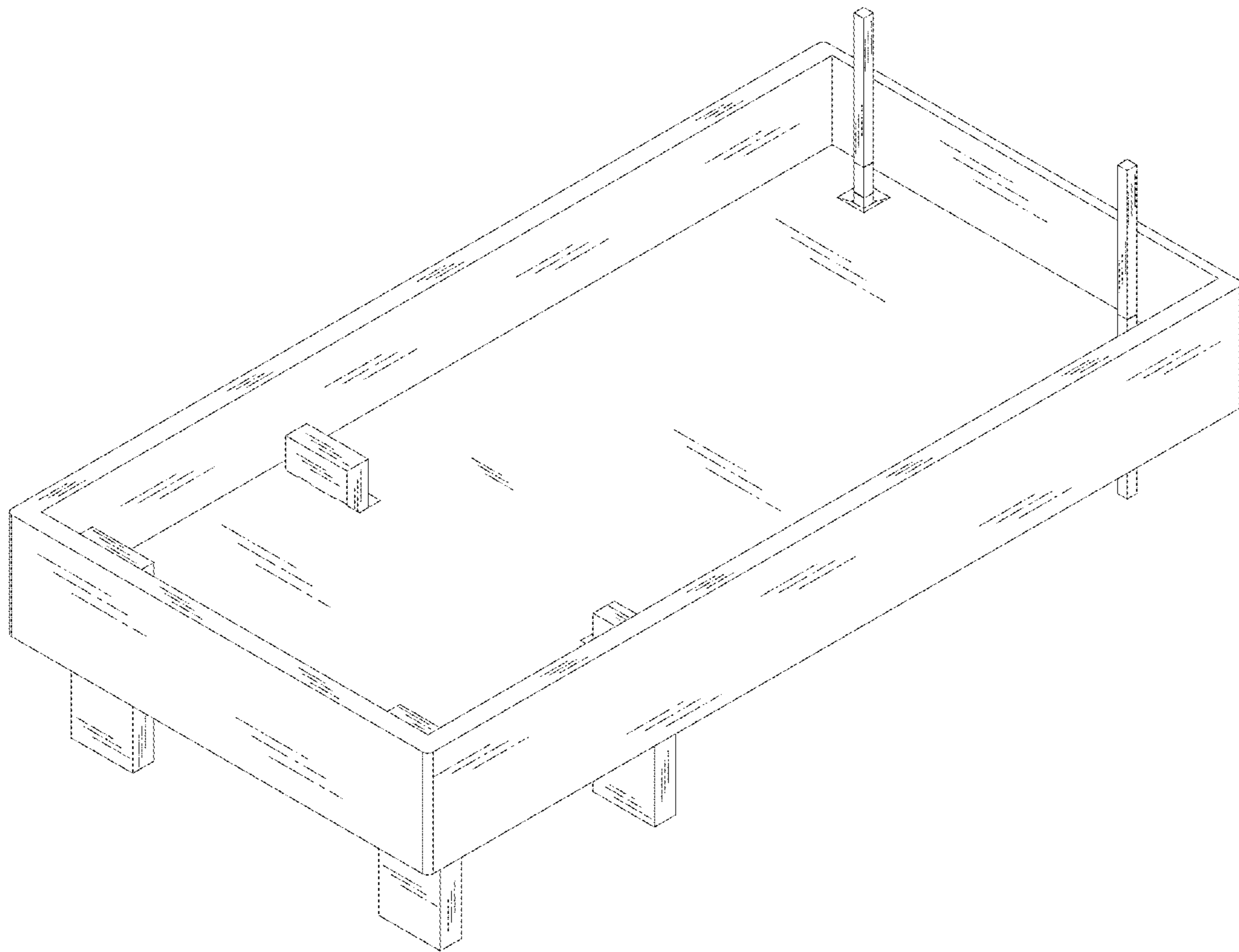


Fig. 1

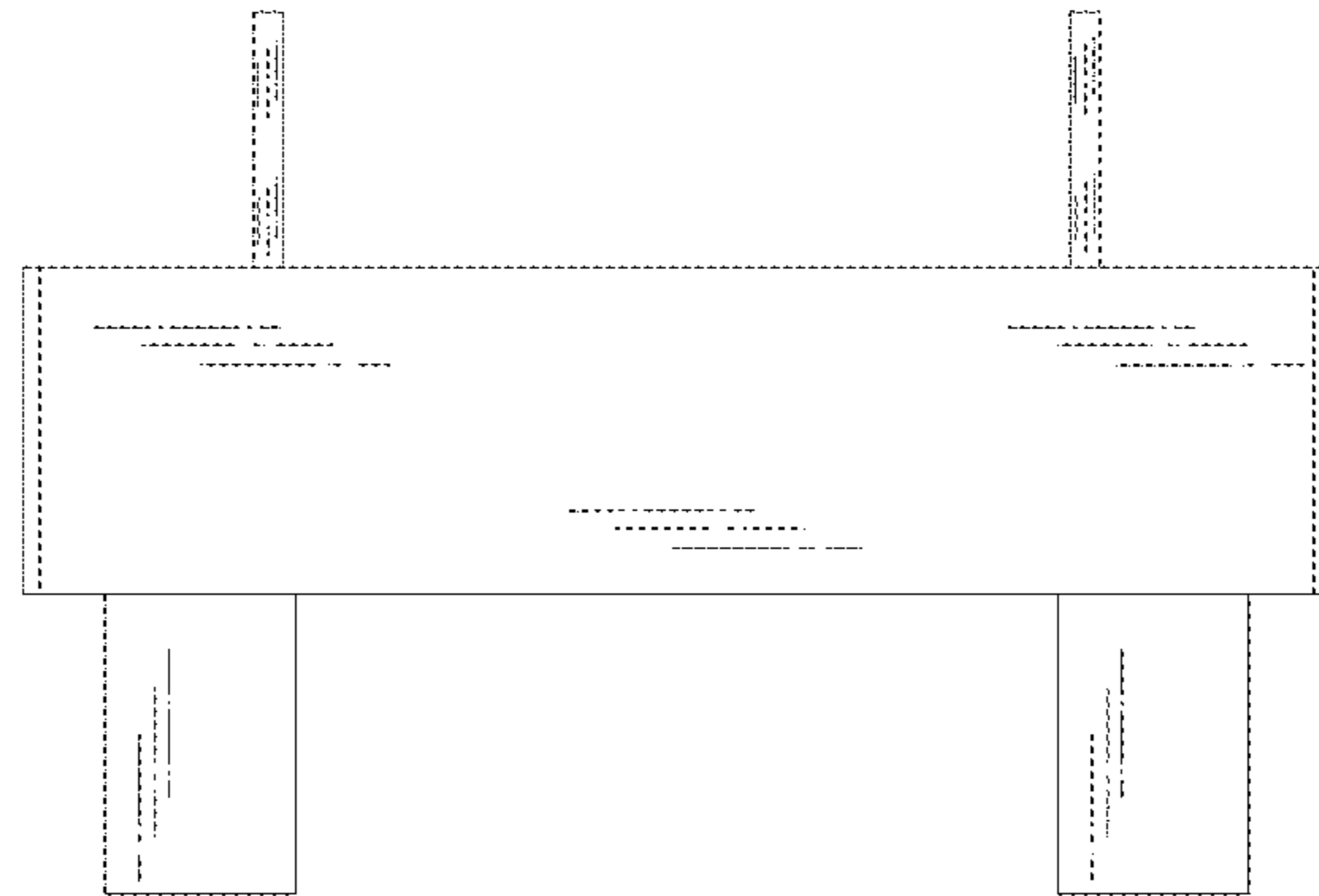


Fig. 2

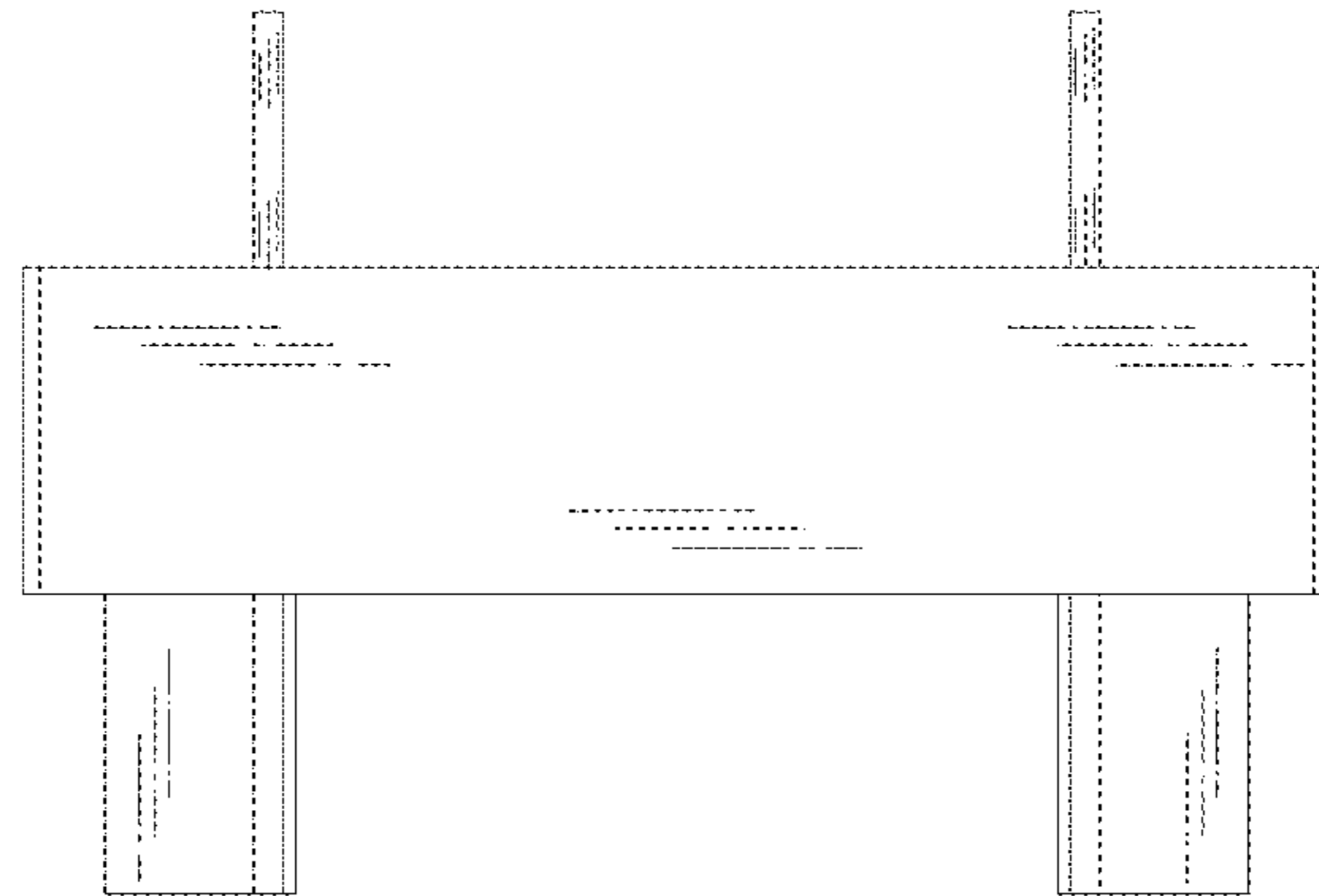


Fig. 3

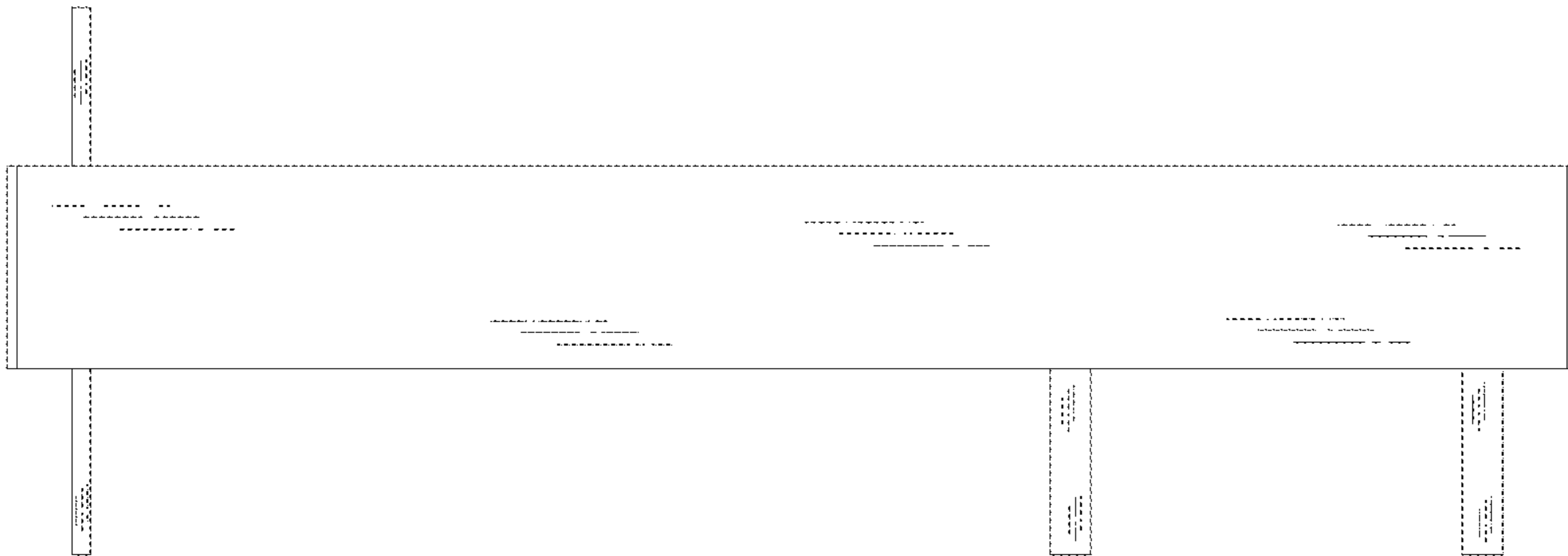


Fig. 4

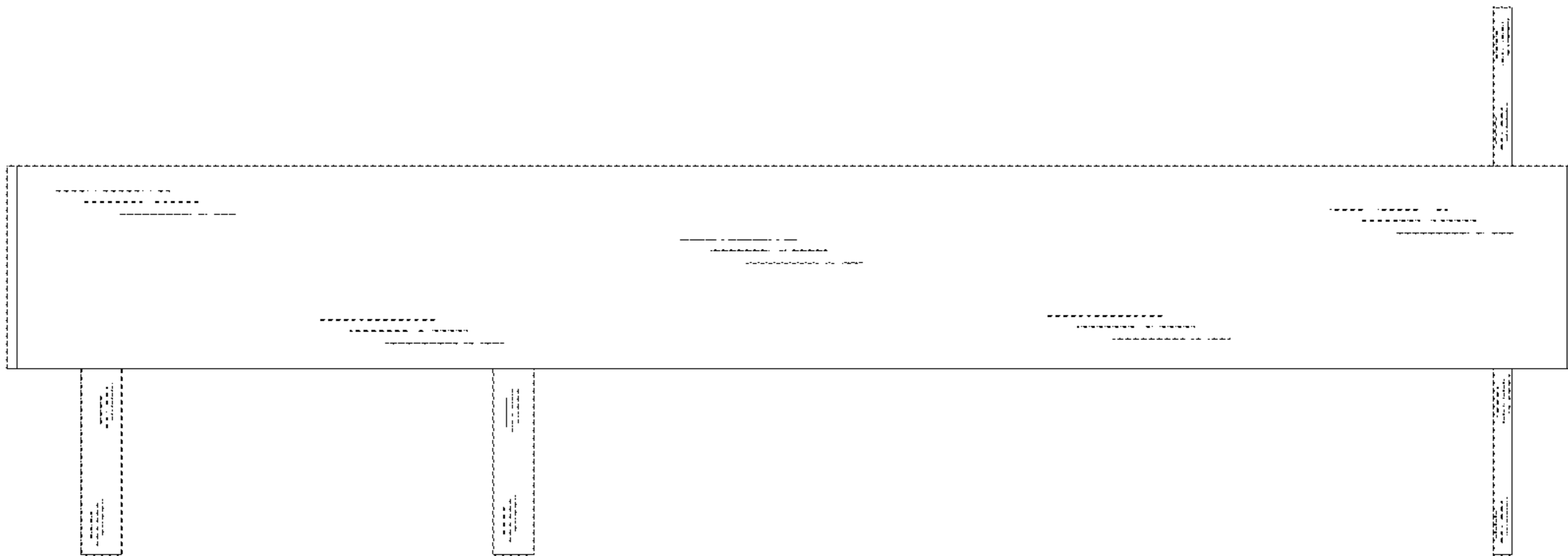


Fig. 5

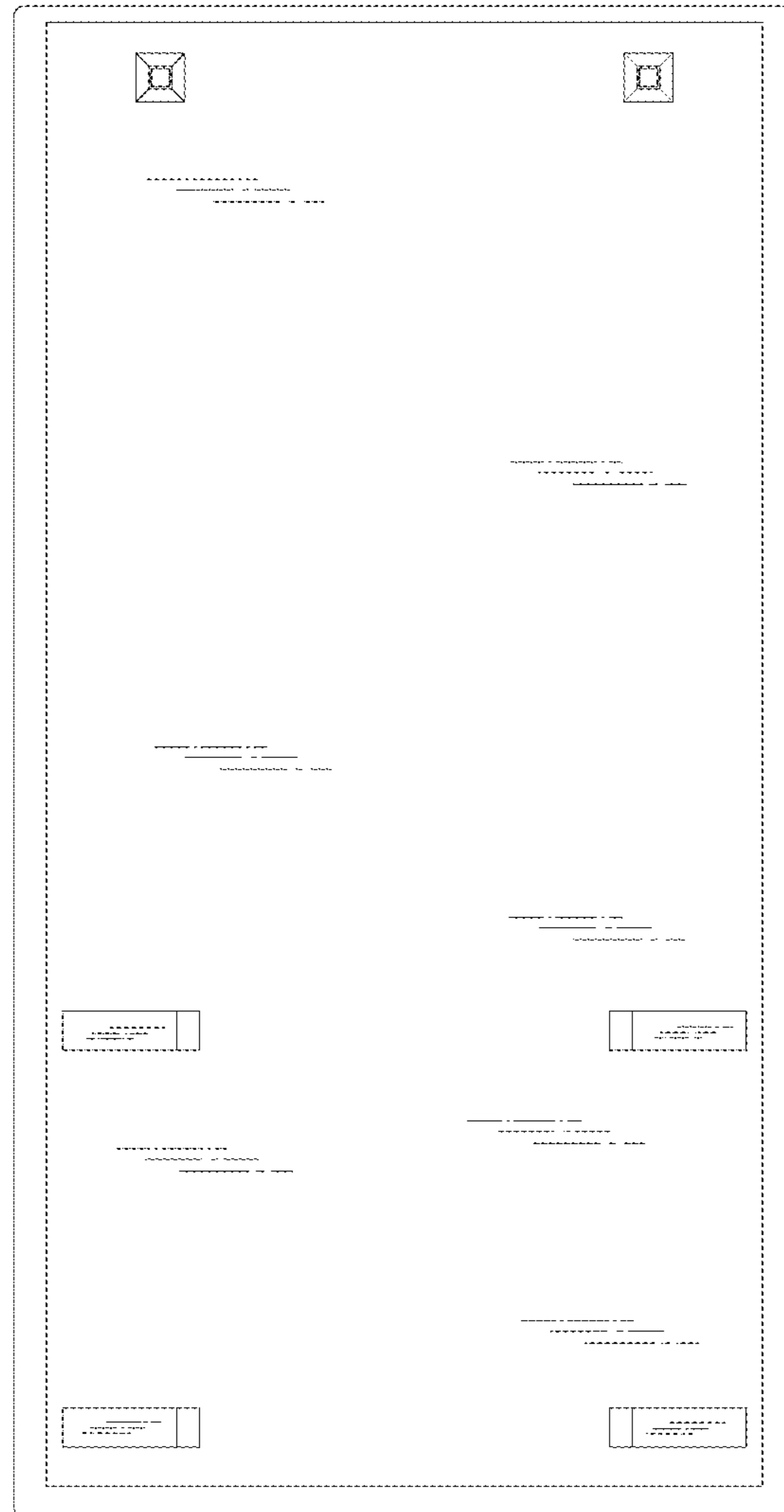


Fig. 6

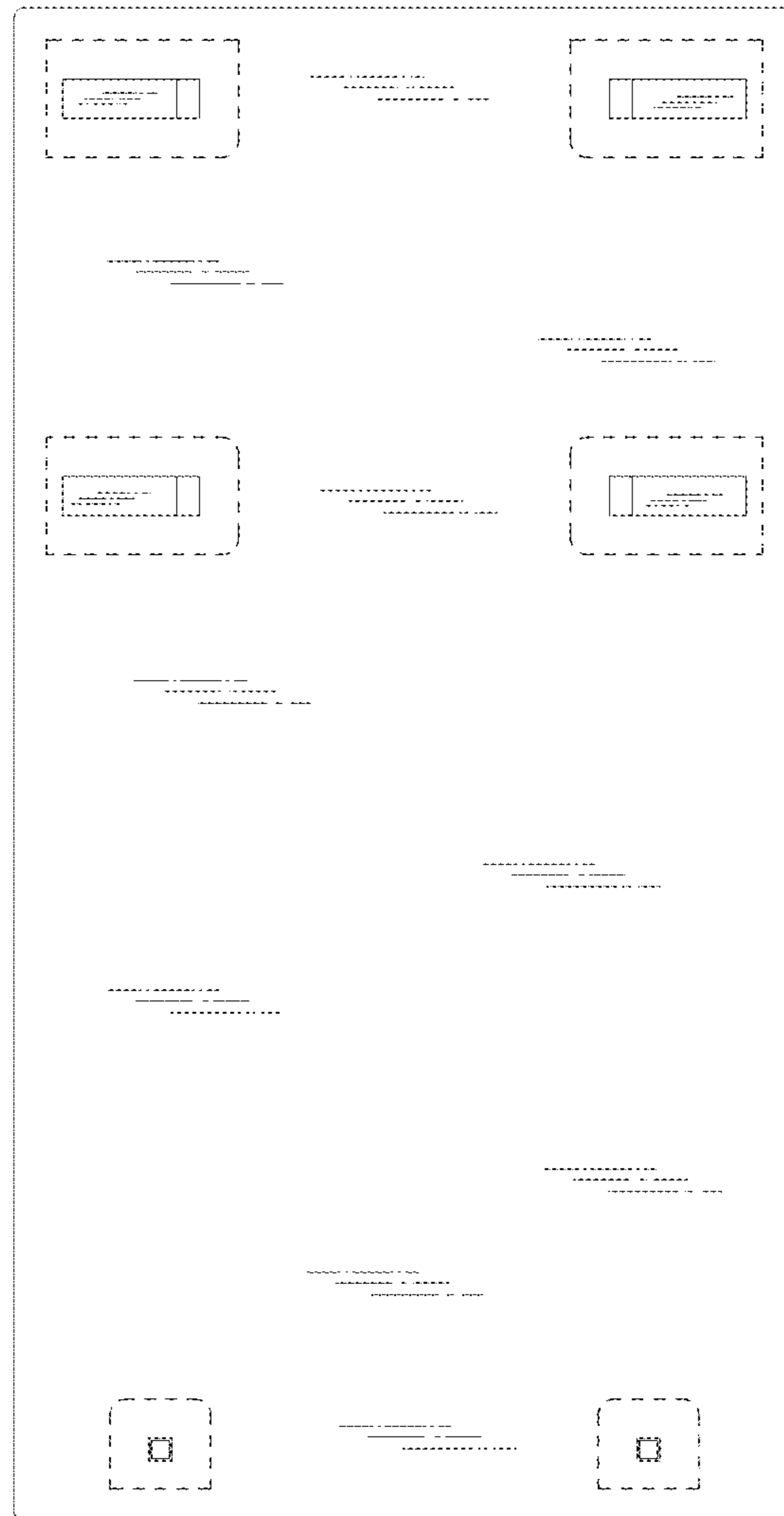


Fig. 7