



US00D948457S

(12) **United States Design Patent**
Zeng

(10) **Patent No.:** **US D948,457 S**

(45) **Date of Patent:** **** Apr. 12, 2022**

- (54) **EXPLOSION-PROOF JUNCTION BOX**
- (71) Applicant: **Xiaoyun Zeng**, Dongguan (CN)
- (72) Inventor: **Xiaoyun Zeng**, Dongguan (CN)
- (73) Assignee: **DONGGUAN PAN AMERICAN ELECTRONICS CO., LTD**, Dongguan (CN)

(**) Term: **15 Years**

(21) Appl. No.: **29/720,791**

(22) Filed: **Jan. 16, 2020**

(51) **LOC (13) Cl.** **13-02**

(52) **U.S. Cl.**
USPC **D13/155**

(58) **Field of Classification Search**
USPC D13/110, 123, 133, 137.1, 139.1, 139.4,
D13/152, 154, 155, 156, 158, 162, 164,
D13/173, 177, 184; D8/354, 349, 356;
D25/133
CPC H02G 3/32; H02G 3/0437; G02B 6/3897
See application file for complete search history.

(56) **References Cited**

U.S. PATENT DOCUMENTS

- 3,020,332 A * 2/1962 Appleton H02G 3/06
174/72 R
- 3,236,934 A * 2/1966 Revelle H02G 15/10
174/22 R

- D465,012 S * 10/2002 Tauzer D23/213
- 6,838,615 B2 * 1/2005 Pyron H02G 1/08
174/481
- D591,587 S * 5/2009 Mason D8/354
- D737,783 S * 9/2015 Smith D13/155
- D864,123 S * 10/2019 Swanson D13/155
- D891,383 S * 7/2020 Deshpande D13/184
- D913,960 S * 3/2021 Voelzke D13/155
- D915,300 S * 4/2021 Holton D13/155
- 2006/0207783 A1 * 9/2006 Lammens, Jr. H02G 15/08
174/58
- 2016/0254657 A1 * 9/2016 Hoppe H01F 27/04
174/360

* cited by examiner

Primary Examiner — Jennifer O King

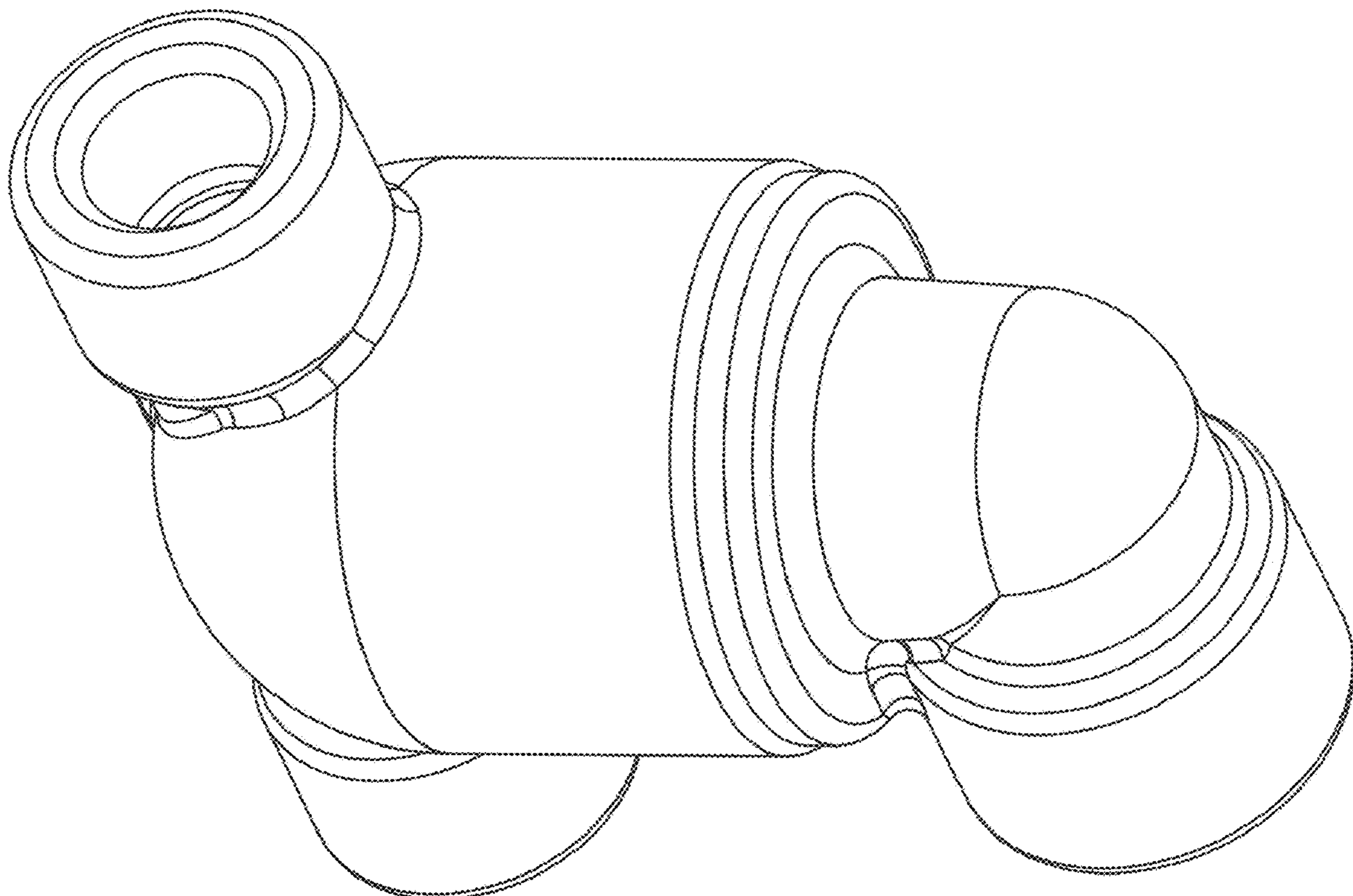
(57) **CLAIM**

The ornamental design for an explosion-proof junction box, as shown and described.

DESCRIPTION

FIG. 1 is a perspective view of a first embodiment an explosion-proof junction box showing my new design; FIG. 2 is a front elevation view thereof; FIG. 3 is a rear elevation view thereof; FIG. 4 is a left side elevation view thereof; FIG. 5 is a right side elevation view thereof; FIG. 6 is a top plan view thereof; and, FIG. 7 is a bottom plan view thereof.

1 Claim, 7 Drawing Sheets



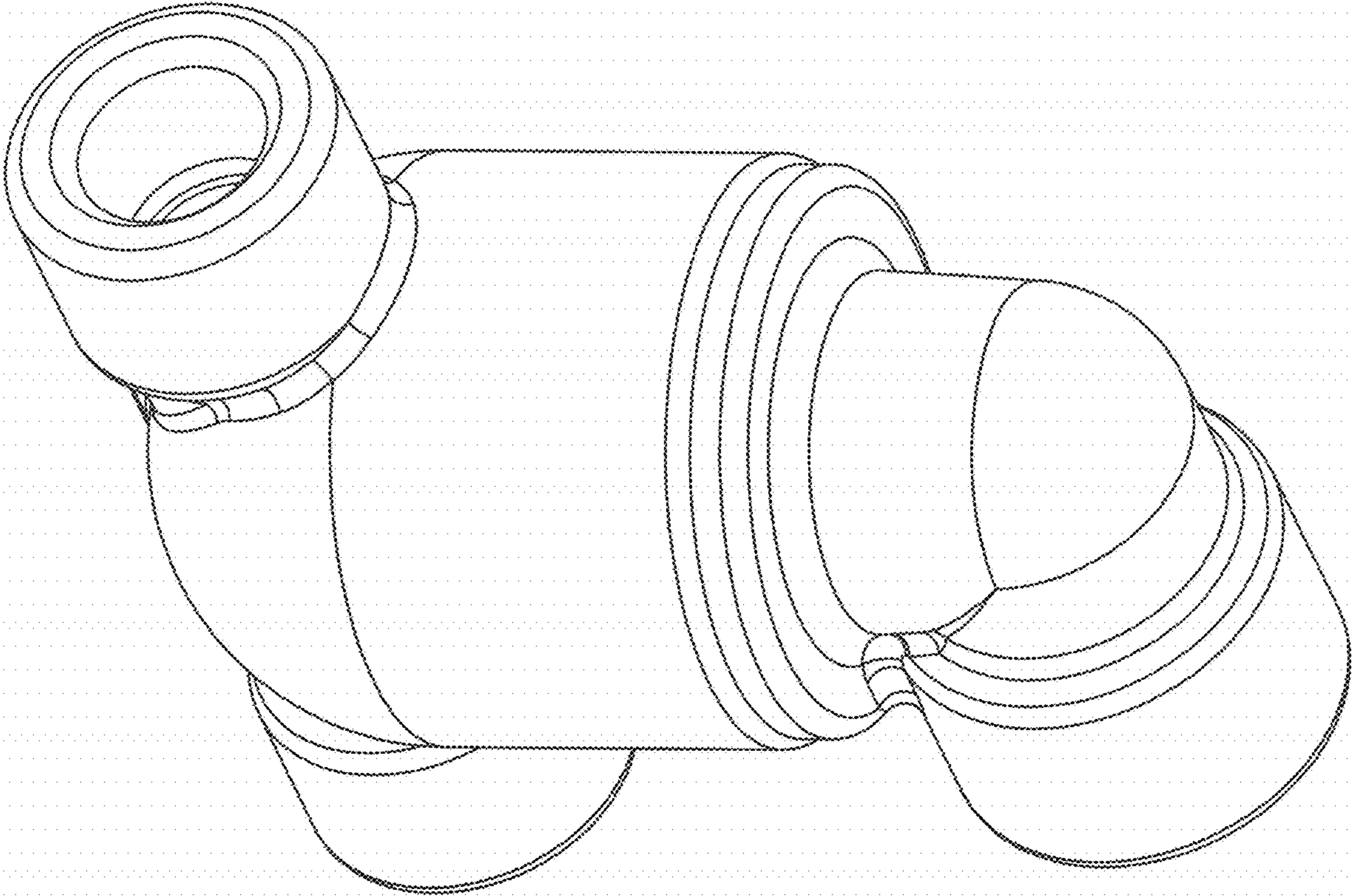


FIG. 1

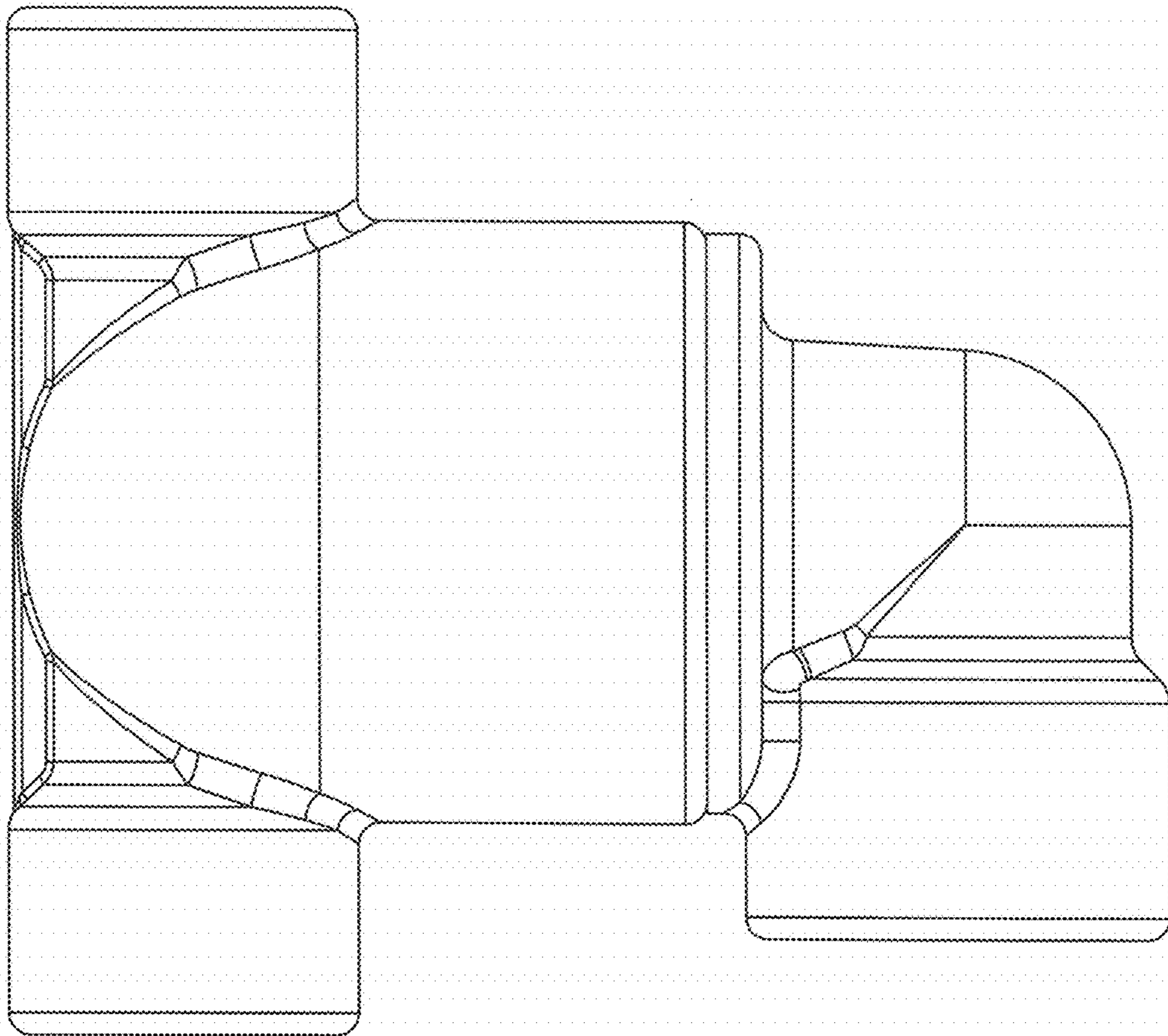


FIG. 2

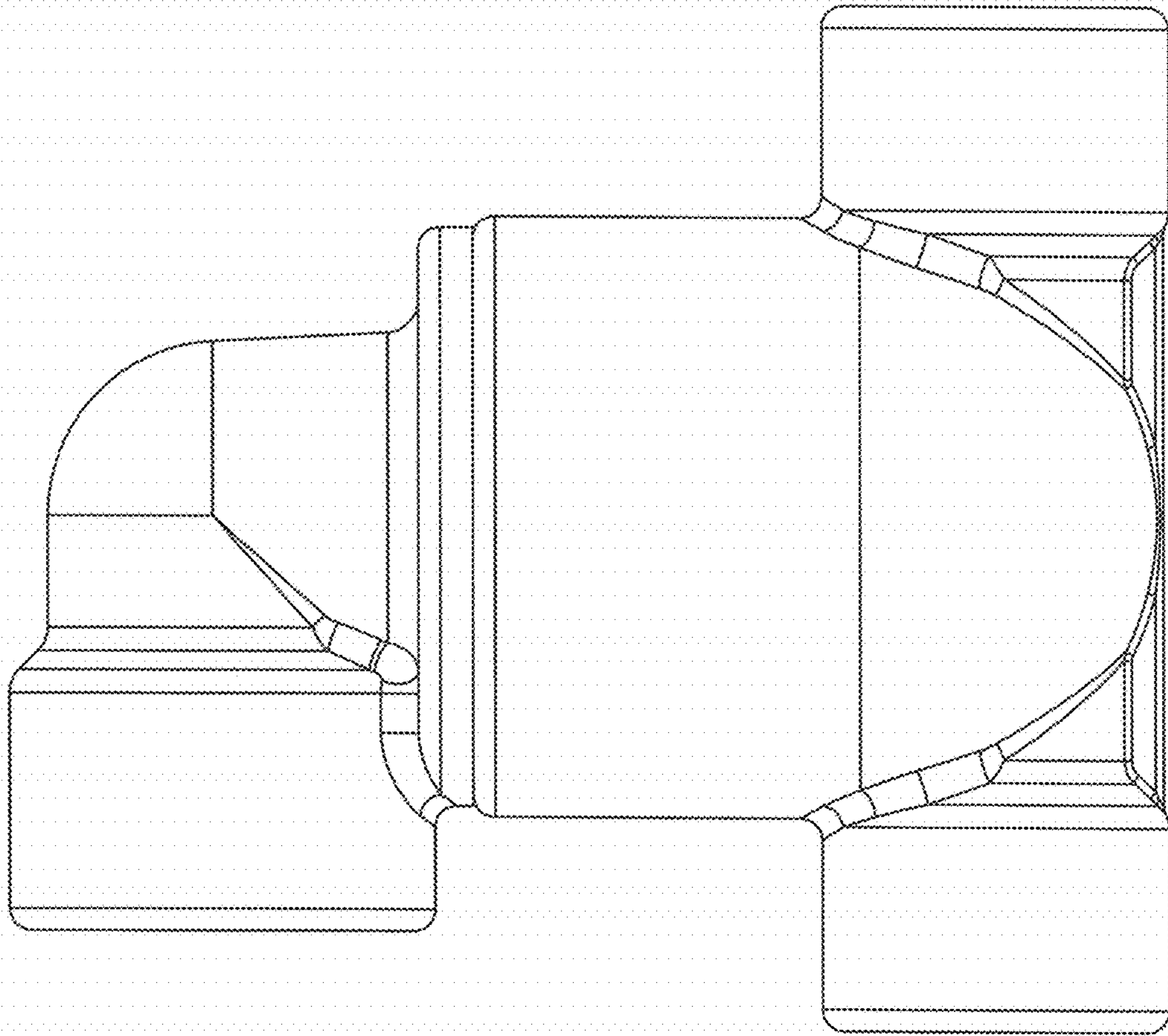


FIG. 3

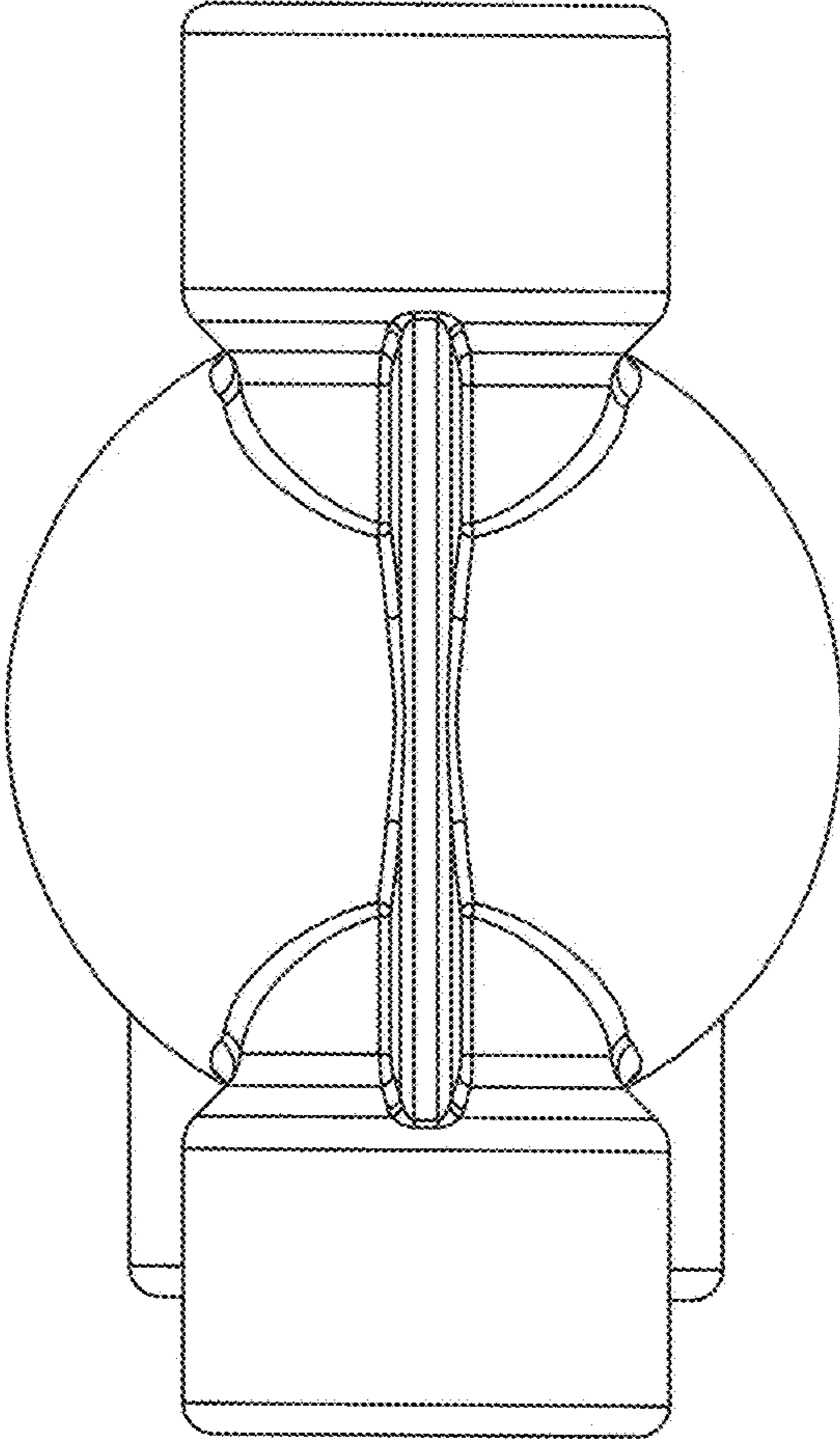


FIG. 4

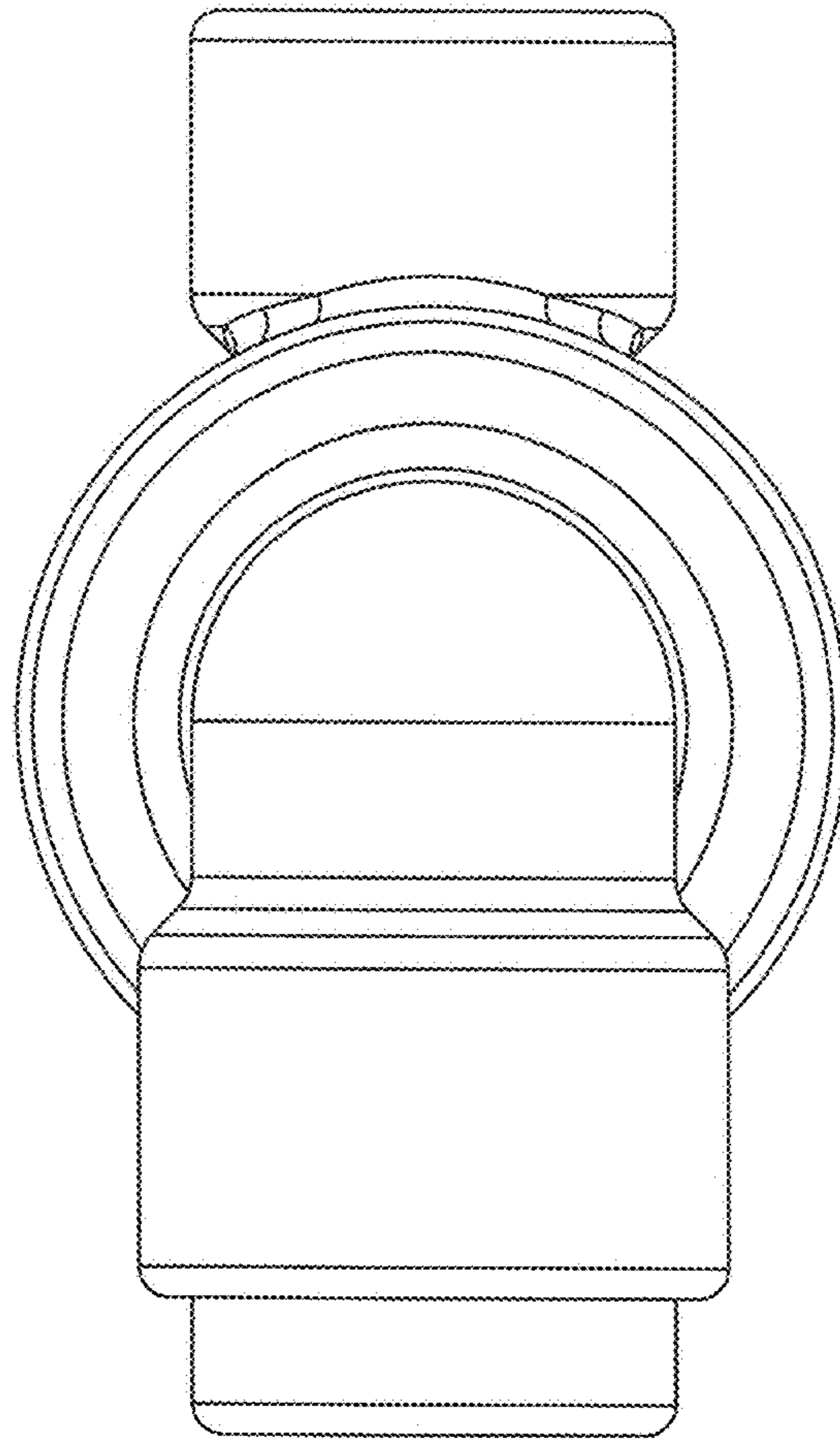


FIG. 5

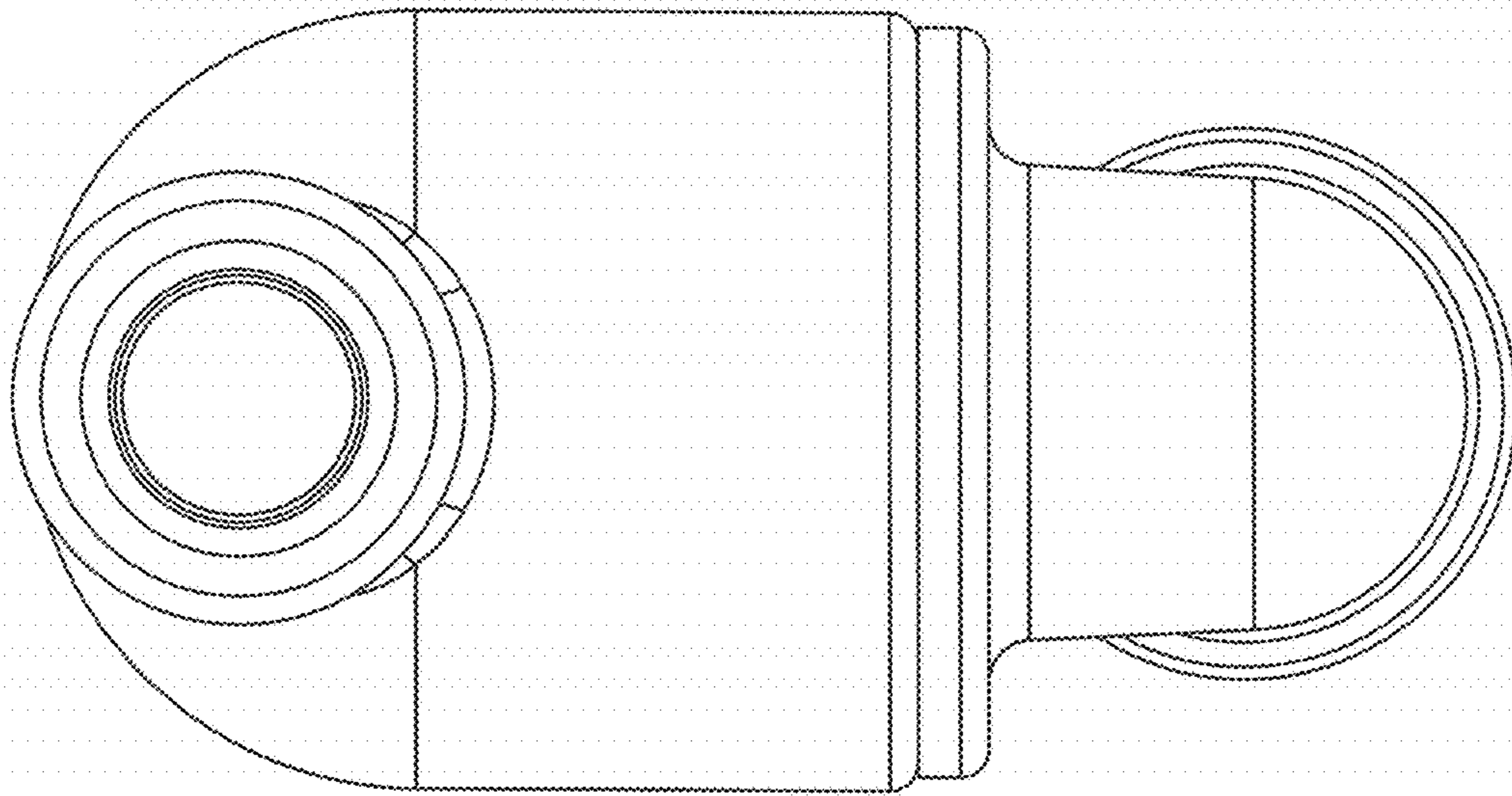


FIG. 6

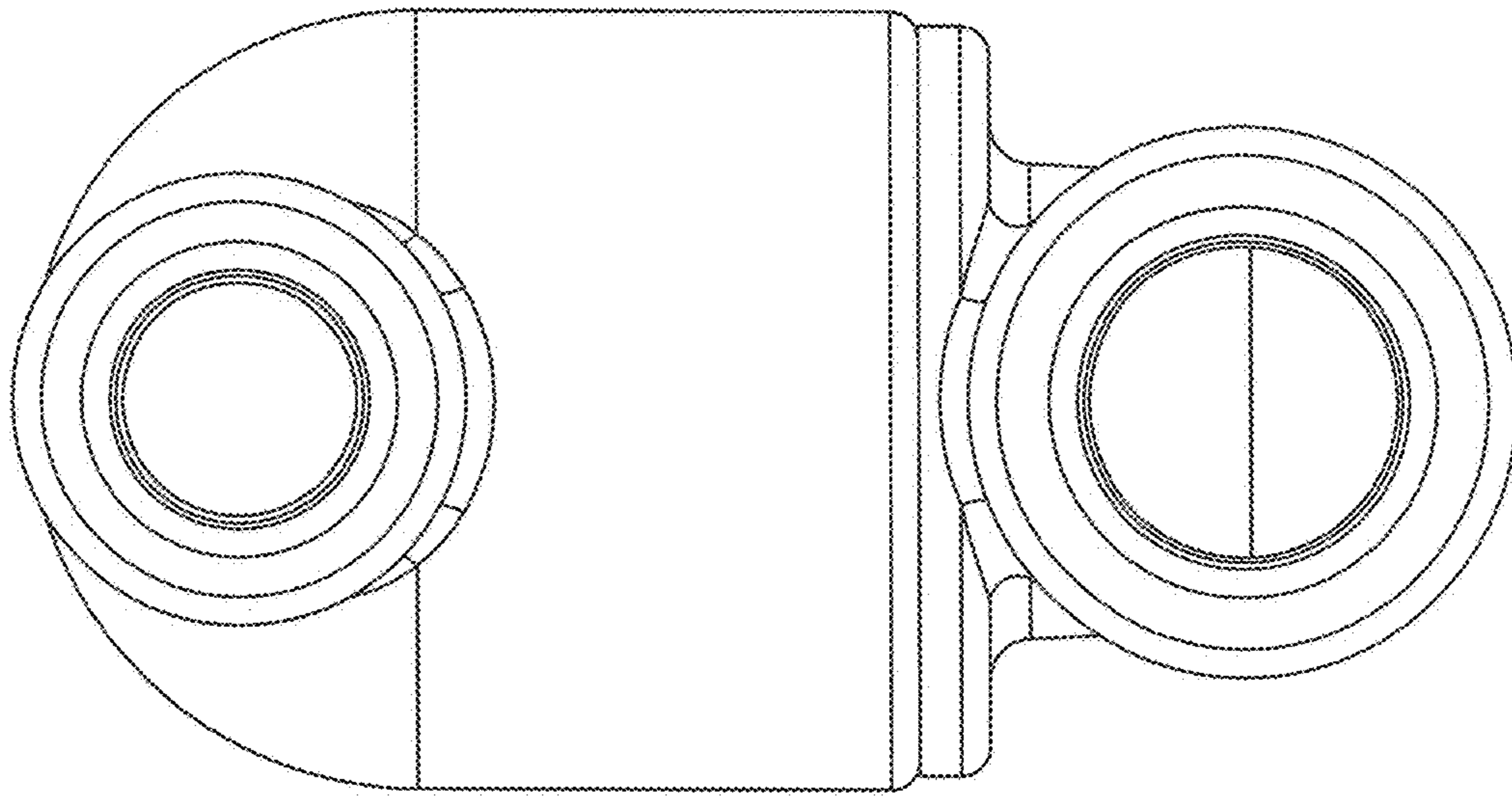


FIG. 7