



US00D948456S

(12) **United States Design Patent** (10) **Patent No.:** **US D948,456 S**  
**Yu** (45) **Date of Patent:** **\*\* Apr. 12, 2022**

(54) **SMALL FORM-FACTOR PLUGGABLE MODULE**

(71) Applicant: **Optoway Technology Inc.**, Hsin Chu (TW)

(72) Inventor: **Te-Shu Yu**, Hsin Chu (TW)

(73) Assignee: **Optoway Technology Inc.**, Hsin Chu (TW)

(\*\*) Term: **15 Years**

(21) Appl. No.: **29/701,036**

(22) Filed: **Aug. 8, 2019**

(51) **LOC (13) Cl.** ..... **13-03**

(52) **U.S. Cl.**  
USPC ..... **D13/154**

(58) **Field of Classification Search**  
USPC ..... D14/140, 140.1, 140.4, 217, 240, 242, D14/256, 300, 313, 496, 299, 356, 357, D14/358, 432, 435, 435.1, 155, 168; D13/123, 133, 135, 151, 154, 179; D10/46  
CPC ..... G02B 6/42; G02B 6/426; G02B 6/4246; G02B 6/4261; G02B 6/4268; G02B 6/4204; G02B 6/4271; G02B 6/4269; G02B 6/43; G02B 6/3893; G02B 6/54; G02B 6/0085; H05K 7/20; H05K 7/20418; H05K 7/20127; H05K 1/02; H05K 1/021; H05K 1/0274; H05K 1/0216; H01R 13/6335  
See application file for complete search history.

(56) **References Cited**

**U.S. PATENT DOCUMENTS**

D340,058 S \* 10/1993 Wetzel ..... D13/147  
D347,229 S \* 5/1994 Smith ..... D14/240  
D360,351 S \* 7/1995 House ..... D8/353  
D360,352 S \* 7/1995 House ..... D8/353  
D464,029 S \* 10/2002 Hwang ..... D13/154  
D467,544 S \* 12/2002 Hwang ..... D13/123

D468,269 S \* 1/2003 Hwang ..... D13/154  
D468,270 S \* 1/2003 Hwang ..... D13/154  
D468,698 S \* 1/2003 Hwang ..... D13/154  
D473,447 S \* 4/2003 Luu ..... D8/352  
D476,978 S \* 7/2003 Dugas ..... D14/240

(Continued)

**FOREIGN PATENT DOCUMENTS**

TW M517483 2/2016  
TW D182748 5/2017

(Continued)

**OTHER PUBLICATIONS**

SPE-2100VWG. 12G-SDI SFP+ Coaxial Transceiver—Optoway—Datasheet. (Online PDF) 6 pgs. Revised Aug. 16, 2019. [Retrieved Apr. 15, 2021] <https://www.optoway.com/upload/files/SFP/SPE-2100VWG.pdf>.\*

(Continued)

*Primary Examiner* — Marie D. Fast Horse  
(74) *Attorney, Agent, or Firm* — JCIP Global Inc.

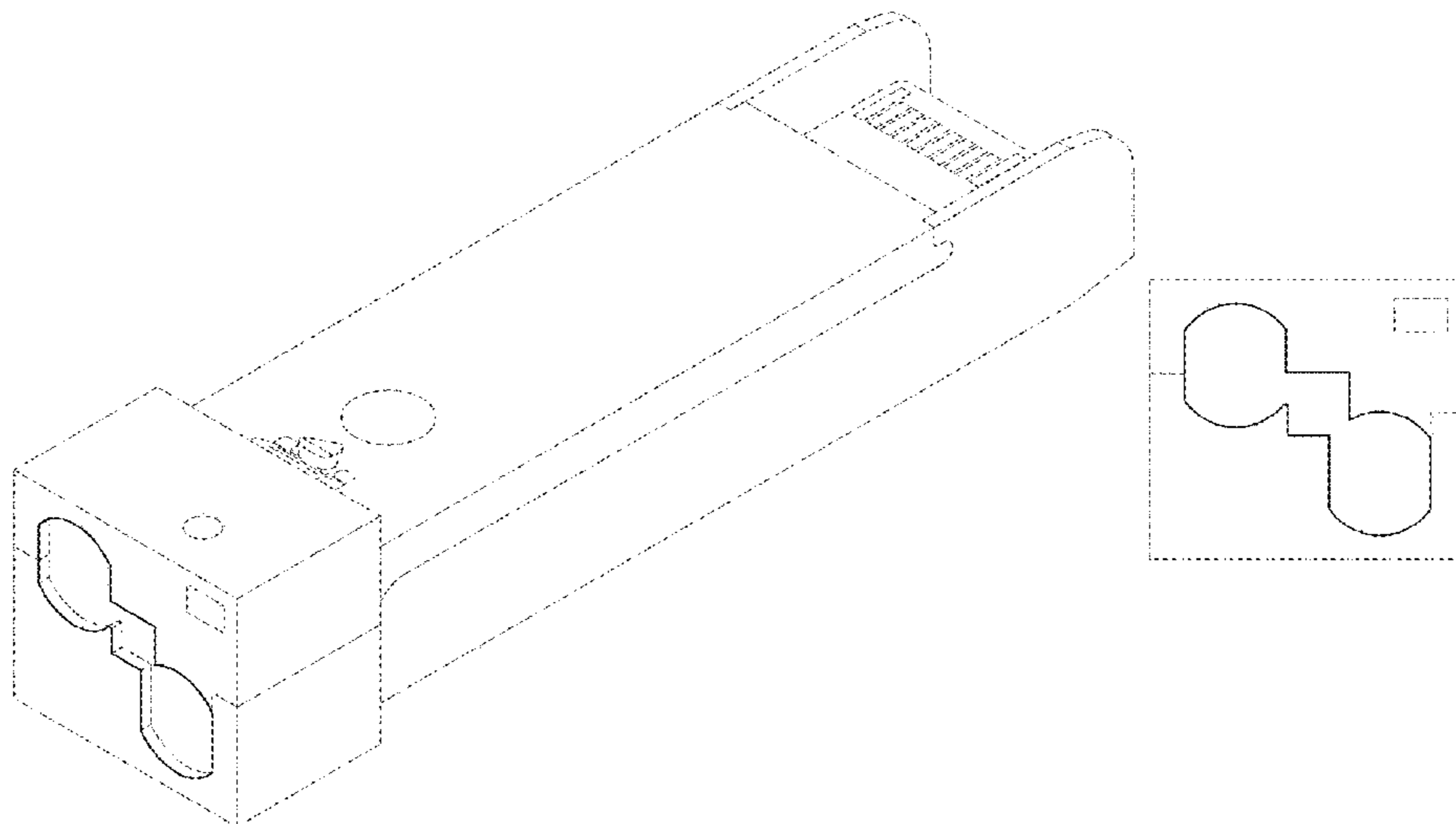
(57) **CLAIM**

The ornamental design for a small form-factor pluggable module, as shown and described.

**DESCRIPTION**

FIG. 1 is a perspective view of a small form-factor pluggable module showing my new design;  
FIG. 2 is a front view thereof;  
FIG. 3 is a rear view thereof;  
FIG. 4 is a left side view thereof;  
FIG. 5 is a right side view thereof;  
FIG. 6 is a top view thereof; and,  
FIG. 7 is a bottom view thereof.  
The dashed broken lines depict portions of the small form-factor pluggable module that form no part of the claimed design. The dot-dashed lines define the bounds of the claimed design and form no part thereof.

**1 Claim, 4 Drawing Sheets**



(56)

References Cited

U.S. PATENT DOCUMENTS

D476,980 S \* 7/2003 Dugas ..... D14/240  
 D478,868 S \* 8/2003 Zarembo ..... D13/123  
 D481,676 S \* 11/2003 Huang ..... D13/123  
 D481,680 S 11/2003 Cheng et al.  
 D485,238 S \* 1/2004 Hwang ..... D13/123  
 D494,930 S \* 8/2004 Ishigami ..... D13/123  
 6,811,326 B2 \* 11/2004 Keeble ..... G02B 6/426  
 385/92  
 6,942,395 B1 \* 9/2005 Chuan ..... G02B 6/4278  
 385/53  
 D513,252 S \* 12/2005 Wang ..... D14/357  
 D523,815 S 6/2006 Lai  
 D524,735 S \* 7/2006 Hung ..... D13/123  
 D525,586 S 7/2006 Blake  
 7,215,554 B2 \* 5/2007 Torres ..... H01R 13/6582  
 361/747  
 D566,651 S \* 4/2008 Chan ..... D13/123  
 8,052,335 B2 \* 11/2011 Kasbeer-Betty ..... G02B 6/4284  
 385/92  
 D654,434 S \* 2/2012 Ishigami ..... D13/123  
 8,202,011 B2 \* 6/2012 Moore ..... G02B 6/4261  
 385/88  
 D675,901 S \* 2/2013 Peckham ..... D8/353  
 8,724,955 B2 \* 5/2014 LaVoie ..... H01R 13/6335  
 385/134  
 8,770,858 B2 \* 7/2014 Lavoie ..... G02B 6/4246  
 385/75  
 D734,728 S \* 7/2015 Lagziel ..... D13/154  
 D735,140 S \* 7/2015 Liao ..... D13/147  
 D805,476 S 12/2017 Chou et al.  
 D806,032 S 12/2017 Chou et al.  
 D826,176 S \* 8/2018 Yuda ..... D13/154  
 10,104,760 B1 \* 10/2018 Briant ..... G02B 6/4284  
 10,193,590 B1 \* 1/2019 Chen ..... H04B 3/02  
 10,254,491 B2 \* 4/2019 Chung ..... G02B 6/4284  
 10,330,873 B2 \* 6/2019 Chuang ..... G02B 6/4292  
 10,382,142 B2 \* 8/2019 Yagisawa ..... H01L 25/167  
 D860,139 S \* 9/2019 Torres ..... D13/151  
 10,411,423 B1 \* 9/2019 Park ..... H01R 12/79  
 10,451,825 B1 \* 10/2019 Lin ..... H04B 10/40  
 D870,051 S \* 12/2019 Endo ..... D13/154  
 D883,226 S \* 5/2020 Torres ..... D13/151  
 10,761,281 B1 \* 9/2020 Gupta ..... G02B 6/4284  
 10,840,640 B1 \* 11/2020 Yu ..... G02B 6/4261  
 D936,588 S \* 11/2021 Hsiao ..... D13/133  
 11,223,173 B2 \* 1/2022 Torres ..... H01R 13/46  
 2003/0171022 A1 \* 9/2003 Distad ..... G02B 6/4261  
 439/372  
 2005/0190540 A1 \* 9/2005 Shearman ..... H05K 7/1461  
 361/715  
 2005/0226626 A1 \* 10/2005 Zhang ..... G02B 6/4292  
 398/135  
 2005/0259994 A1 \* 11/2005 Zhang ..... H05K 9/0058  
 398/164  
 2006/0215970 A1 \* 9/2006 Mizue ..... G02B 6/4201  
 385/92  
 2009/0227133 A1 \* 9/2009 Zhang ..... G02B 6/4246  
 439/160  
 2009/0291578 A1 \* 11/2009 Wu ..... H01R 13/65912  
 439/258  
 2010/0278539 A1 \* 11/2010 Kasbeer-Betty ..... G02B 6/4201  
 398/135

2011/0003502 A1 \* 1/2011 Li ..... H01R 13/6335  
 439/464  
 2011/0081807 A1 \* 4/2011 Rephaeli ..... G02B 6/4274  
 439/620.21  
 2011/0164382 A1 \* 7/2011 Pirillis ..... H01R 13/6586  
 361/690  
 2011/0249944 A1 \* 10/2011 Lavoie ..... G02B 6/4246  
 385/76  
 2012/0052712 A1 \* 3/2012 Wang ..... H01R 13/6275  
 439/352  
 2012/0282796 A1 \* 11/2012 Wu ..... H01R 13/633  
 439/350  
 2013/0004131 A1 \* 1/2013 Skepnek ..... G02B 6/4201  
 385/92  
 2013/0115794 A1 \* 5/2013 Chang ..... H01R 13/6335  
 439/160  
 2013/0183846 A1 \* 7/2013 Kappla ..... G02B 6/4261  
 439/350  
 2014/0140666 A1 \* 5/2014 Heimbuch ..... G02B 6/36  
 385/92  
 2015/0117819 A1 \* 4/2015 Chou ..... G02B 6/4278  
 385/76  
 2015/0277070 A1 \* 10/2015 Luo ..... G02B 6/4246  
 385/88  
 2016/0085697 A1 \* 3/2016 Lavoie ..... G02B 6/4246  
 710/302  
 2016/0111819 A1 \* 4/2016 Frahmman ..... G02B 6/3821  
 385/76  
 2016/0216460 A1 \* 7/2016 Yang ..... G02B 6/4246  
 2016/0252690 A1 \* 9/2016 Kawamura ..... G02B 6/4214  
 398/79  
 2016/0299300 A1 \* 10/2016 Lavoie ..... G02B 6/4246  
 2016/0336685 A1 \* 11/2016 Phillips ..... H01R 13/6278  
 2018/0040982 A1 \* 2/2018 Resendez ..... H01R 13/635  
 2018/0059167 A1 \* 3/2018 Sharf ..... H01R 13/6581  
 2018/0076588 A1 \* 3/2018 Torres ..... H01R 13/46  
 2018/0138635 A1 \* 5/2018 Henry ..... H01R 13/6335  
 2018/0372969 A1 \* 12/2018 Chuang ..... G02B 6/4261  
 2019/0082200 A1 \* 3/2019 Lavoie ..... H04N 21/2365  
 2019/0097735 A1 \* 3/2019 Akieda ..... G02B 6/4257  
 2019/0107676 A1 \* 4/2019 Kurashima ..... G02B 6/3897  
 2019/0113698 A1 \* 4/2019 Huang ..... G02B 6/4246  
 2019/0190607 A1 \* 6/2019 Chou ..... H04B 10/40  
 2019/0204516 A1 \* 7/2019 Chen ..... G02B 6/4281  
 2019/0204517 A1 \* 7/2019 Chen ..... G02B 6/426  
 2019/0285816 A1 \* 9/2019 Jiang ..... H05K 3/3405  
 2020/0150366 A1 \* 5/2020 Tittenhofer ..... G02B 6/4256  
 2020/0288589 A1 \* 9/2020 LaVoie ..... H05K 7/20418  
 2020/0386954 A1 \* 12/2020 Lan ..... G02B 6/4246  
 2021/0022267 A1 \* 1/2021 Yu ..... H05K 7/20418  
 2021/0271036 A1 \* 9/2021 Nguyen ..... G02B 6/426

FOREIGN PATENT DOCUMENTS

TW D188004 1/2018  
 TW D190753 6/2018  
 TW M561943 6/2018  
 TW I647882 1/2019

OTHER PUBLICATIONS

“Office Action of Taiwan Counterpart Application”, dated Nov. 27, 2020, p. 1-p. 3.

\* cited by examiner

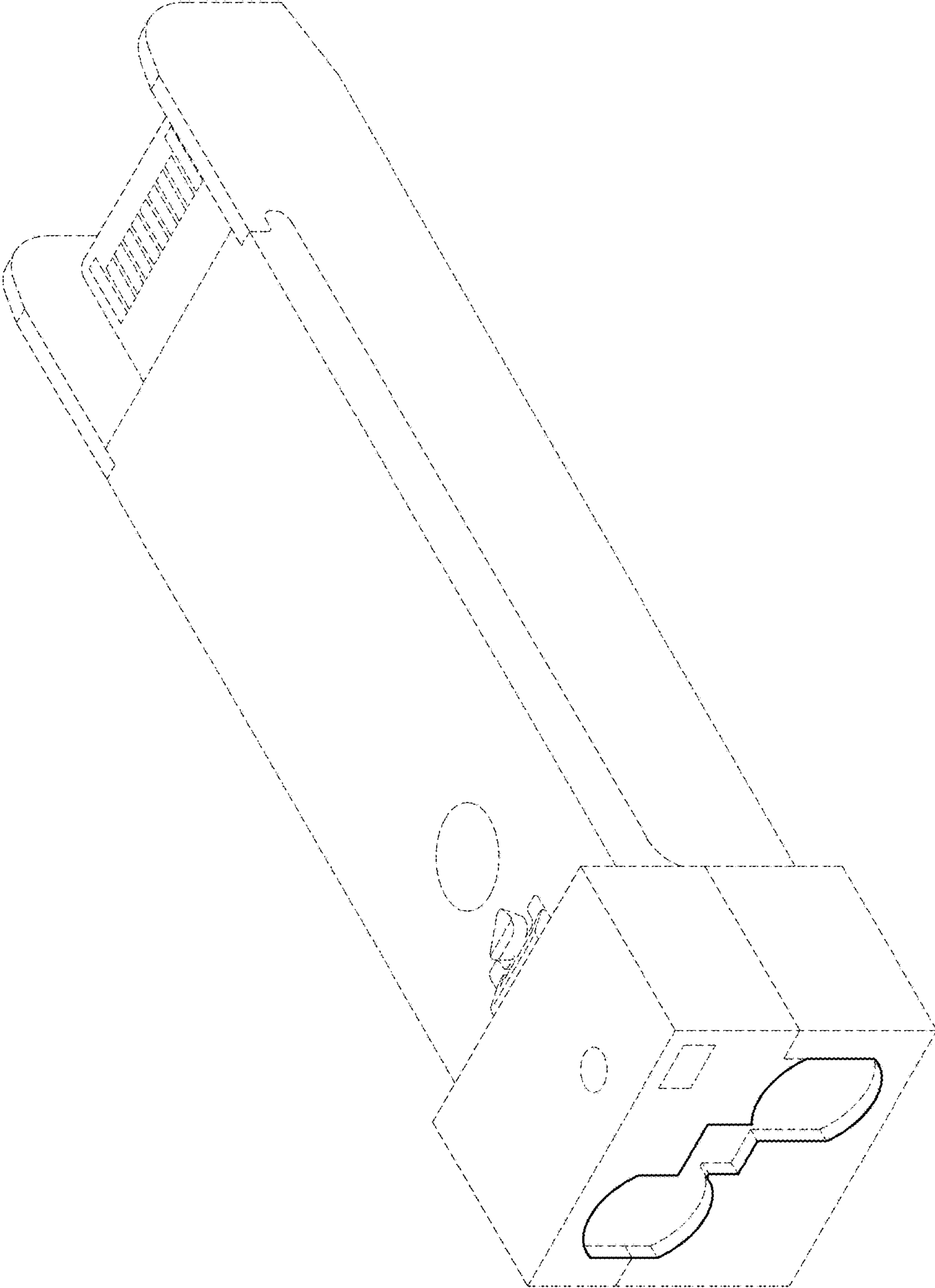


FIG. 1

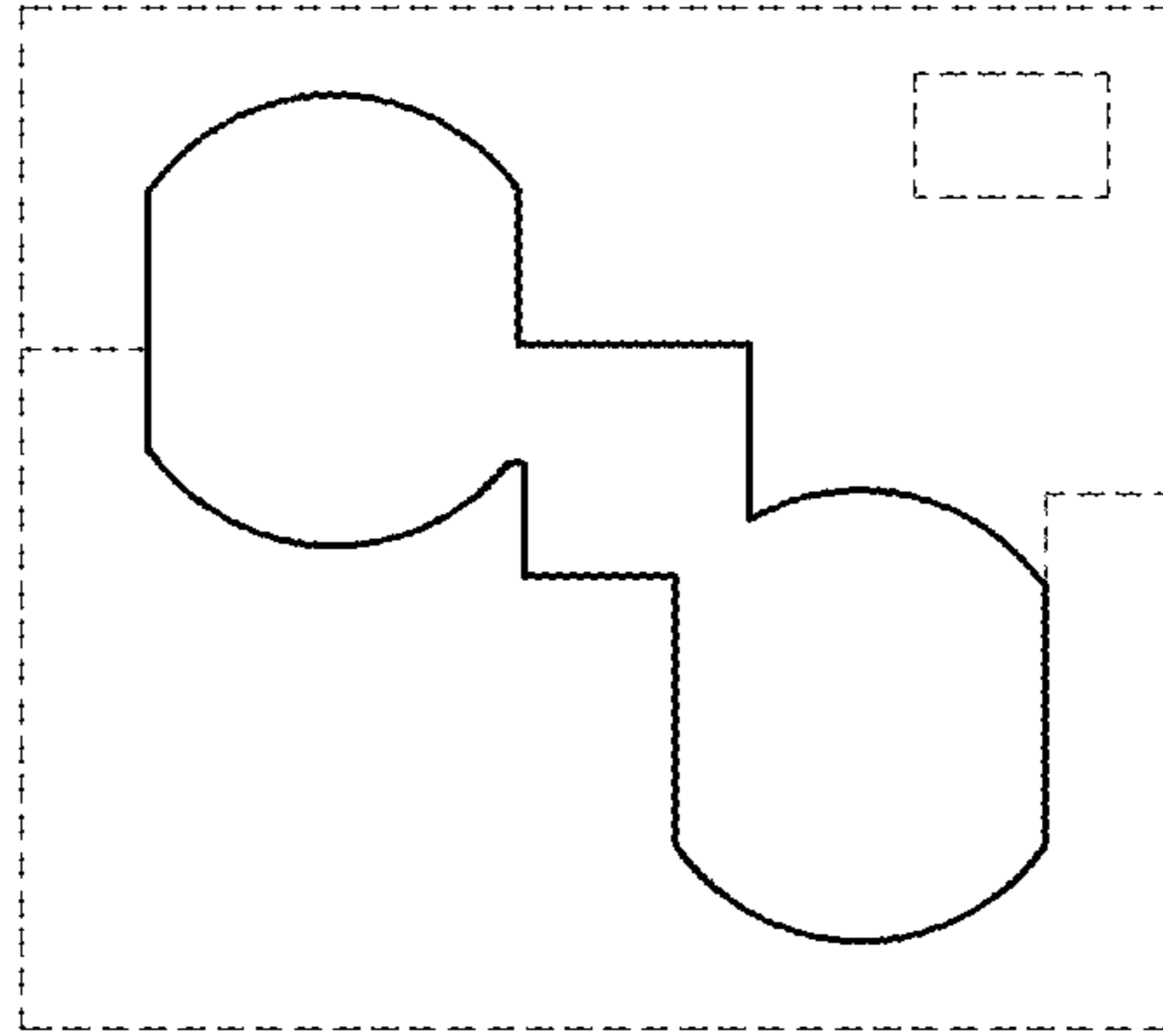


FIG. 2

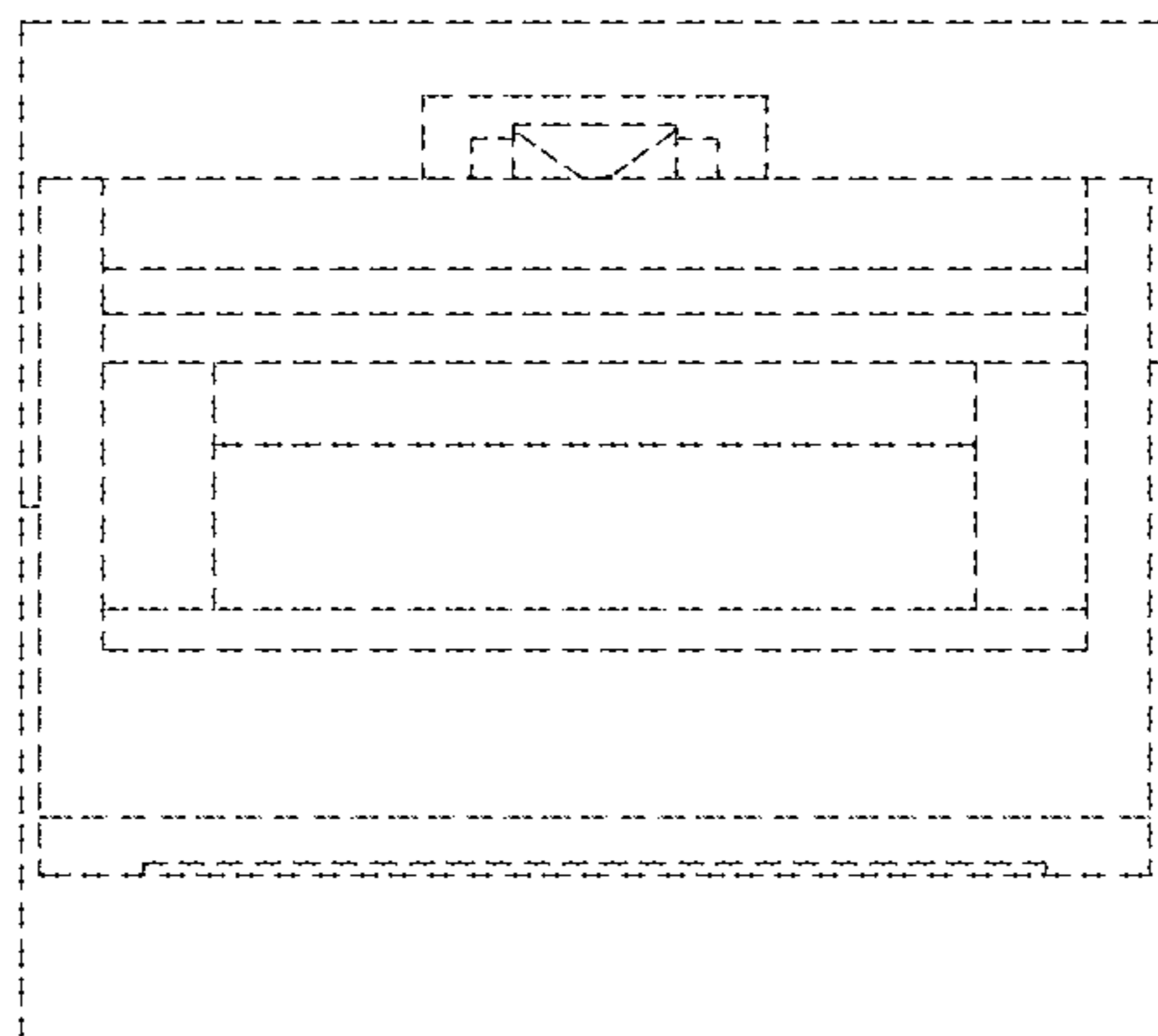


FIG. 3

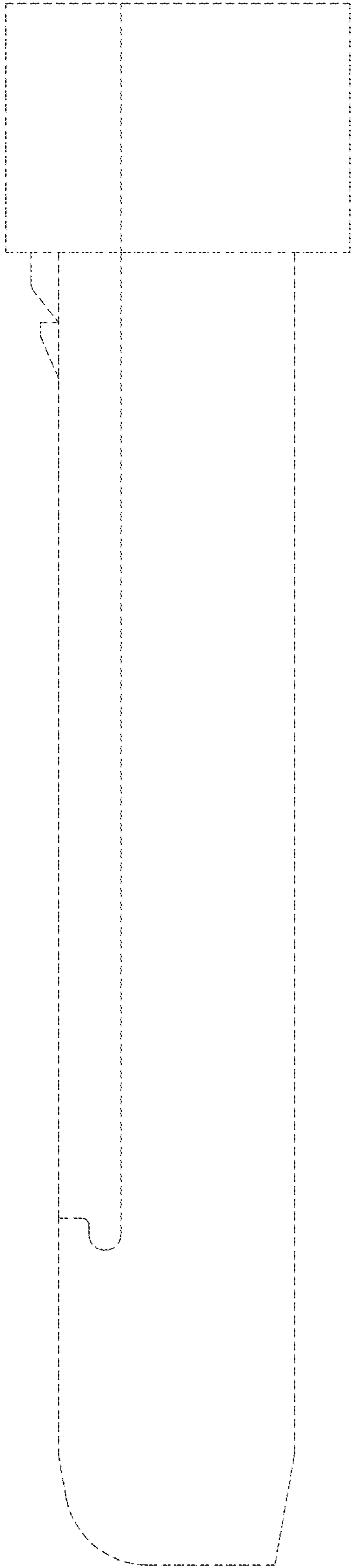


FIG. 4

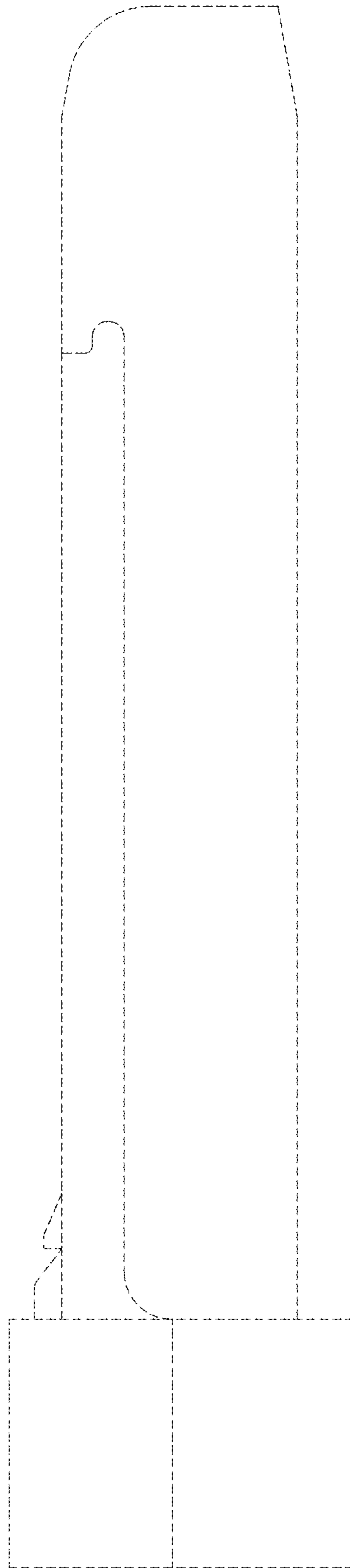


FIG. 5

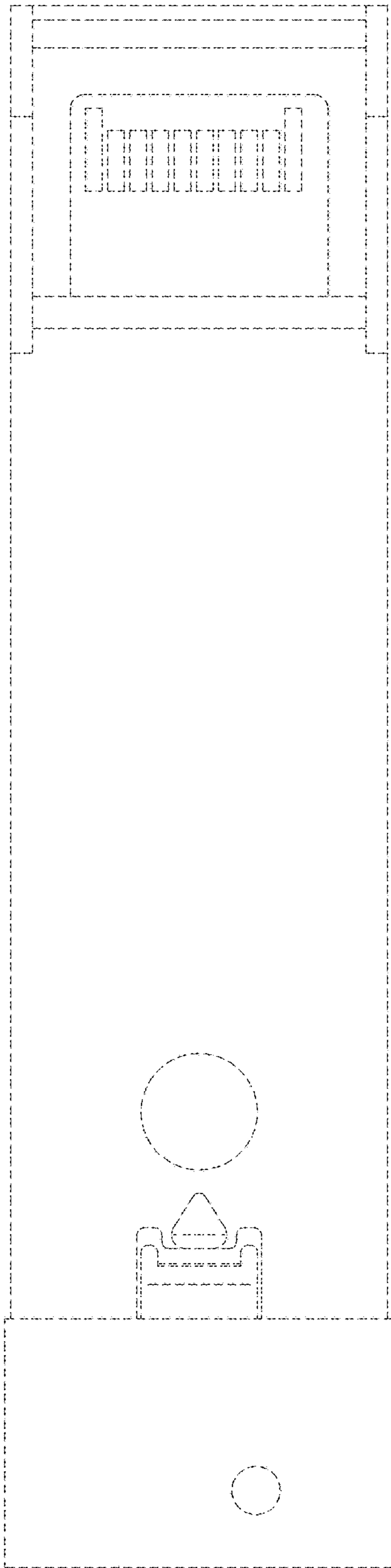


FIG. 6

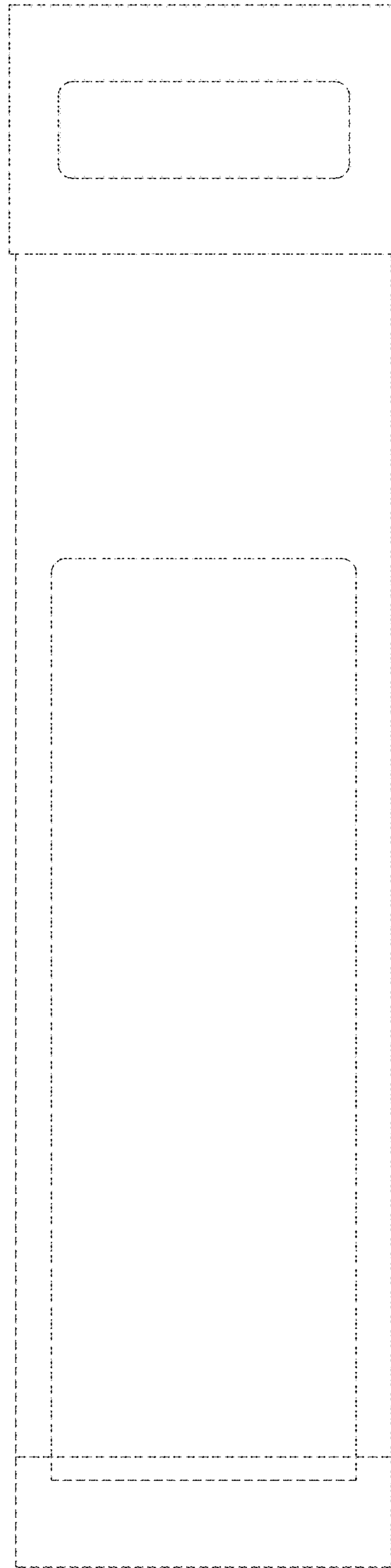


FIG. 7