



US00D948455S

(12) **United States Design Patent**  
**Liu et al.**

(10) **Patent No.:** **US D948,455 S**  
(45) **Date of Patent:** **\*\* Apr. 12, 2022**

(54) **SHELL**

(56) **References Cited**

(71) Applicant: **DONGGUAN LUXSHARE TECHNOLOGIES CO., LTD,**  
Dongguan (CN)  
(72) Inventors: **Xiaogang Liu,** Dongguan (CN); **Kun Liu,** Dongguan (CN); **Rongzhe Guo,** Dongguan (CN); **Chuanqi Gong,** Dongguan (CN); **Tao Song,** Dongguan (CN)

U.S. PATENT DOCUMENTS

D425,488 S *	5/2000	Byrd .....	D13/154
D463,378 S *	9/2002	Allada .....	D13/159
D561,708 S *	2/2008	Anzai .....	D13/177
D737,210 S *	8/2015	Pao .....	D13/147
D771,574 S *	11/2016	Hultquist .....	D13/156
D866,470 S *	11/2019	Sprenger .....	D13/133
2010/0221959 A1 *	9/2010	Pan .....	H01R 13/514 439/701
2013/0149890 A1 *	6/2013	Schroll .....	H01R 13/6586 439/449

(73) Assignee: **DONGGUAN LUXSHARE TECHNOLOGIES CO., LTD,**  
Dongguan (CN)

\* cited by examiner

*Primary Examiner* — Derrick E Holland

(\*\*) Term: **15 Years**

(74) *Attorney, Agent, or Firm* — Birch, Stewart, Kolasch & Birch, LLP

(21) Appl. No.: **29/759,458**

(22) Filed: **Nov. 23, 2020**

(57) **CLAIM**

(30) **Foreign Application Priority Data**

The ornamental design for a shell, as shown and described.

Jun. 28, 2020 (CN) ..... 202030337083.X

(51) **LOC (13) Cl.** ..... **13-03**

(52) **U.S. Cl.**  
USPC ..... **D13/147**

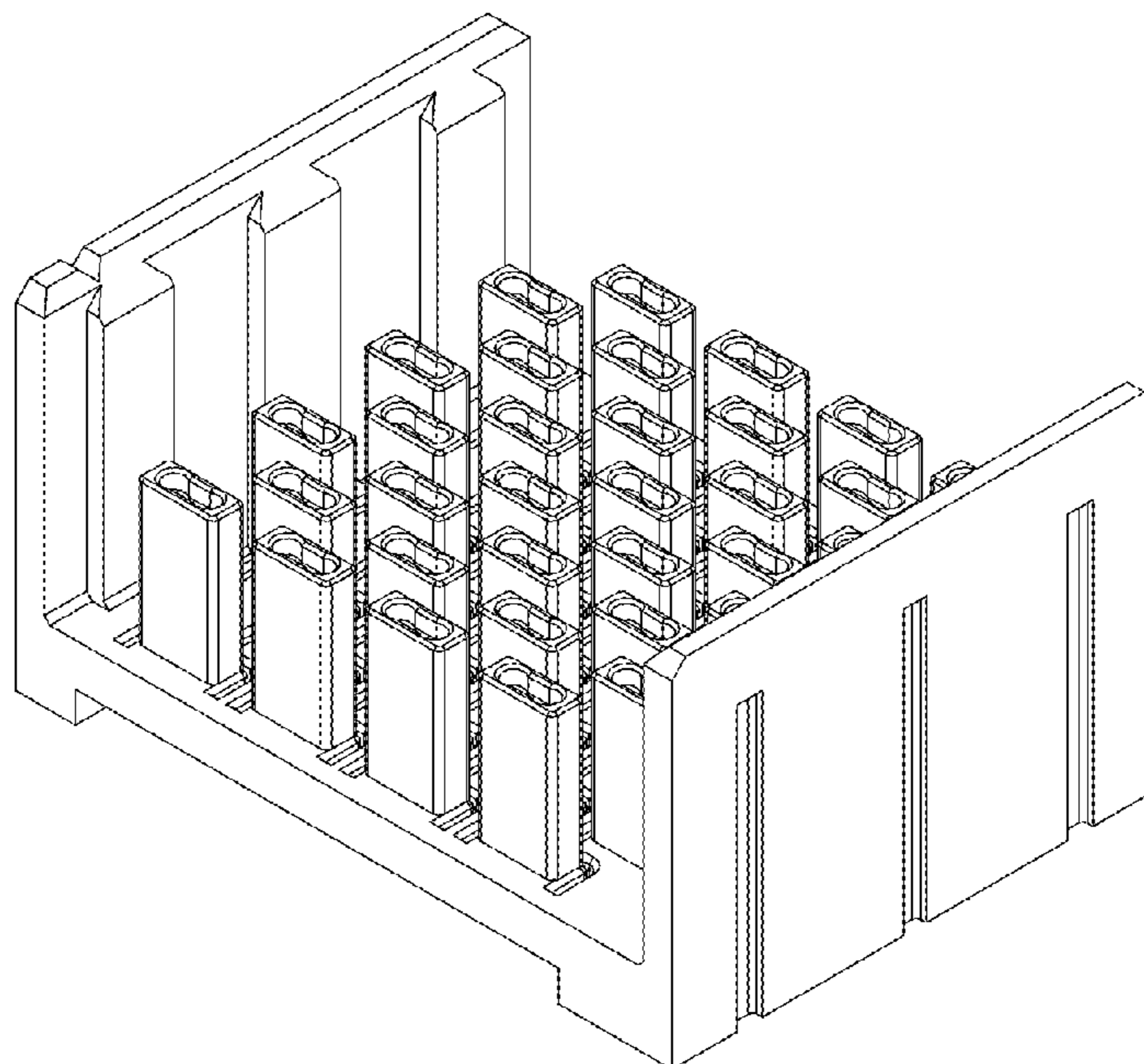
(58) **Field of Classification Search**  
USPC ..... D13/118, 120, 123, 133, 146, 147, 149,  
D13/154, 159, 184, 199; D14/433, 438,  
D14/439  
CPC ..... H01R 13/52; H01R 13/62; H01R 13/502;  
H01R 13/514; H01R 13/6272; H01R  
13/6275; H01R 13/6278; H01R 13/6471;  
H01R 12/52; H01R 12/53; H01R 12/515;  
H01R 12/585; H01R 12/716; H01R  
12/7005; H01R 29/00; H05K 1/18

See application file for complete search history.

**DESCRIPTION**

FIG. 1 is a front, top and right side perspective view of a shell showing our new design;  
FIG. 2 is a front elevational view of the shell;  
FIG. 3 is a rear elevational view of the shell;  
FIG. 4 is a top plan view of the shell;  
FIG. 5 is a bottom plan view of the shell;  
FIG. 6 is a left side elevational view of the shell; and,  
FIG. 7 is a right side elevational view of the shell.  
The broken lines shown represent the portions of the shell that form no part of the claimed design.

**1 Claim, 7 Drawing Sheets**



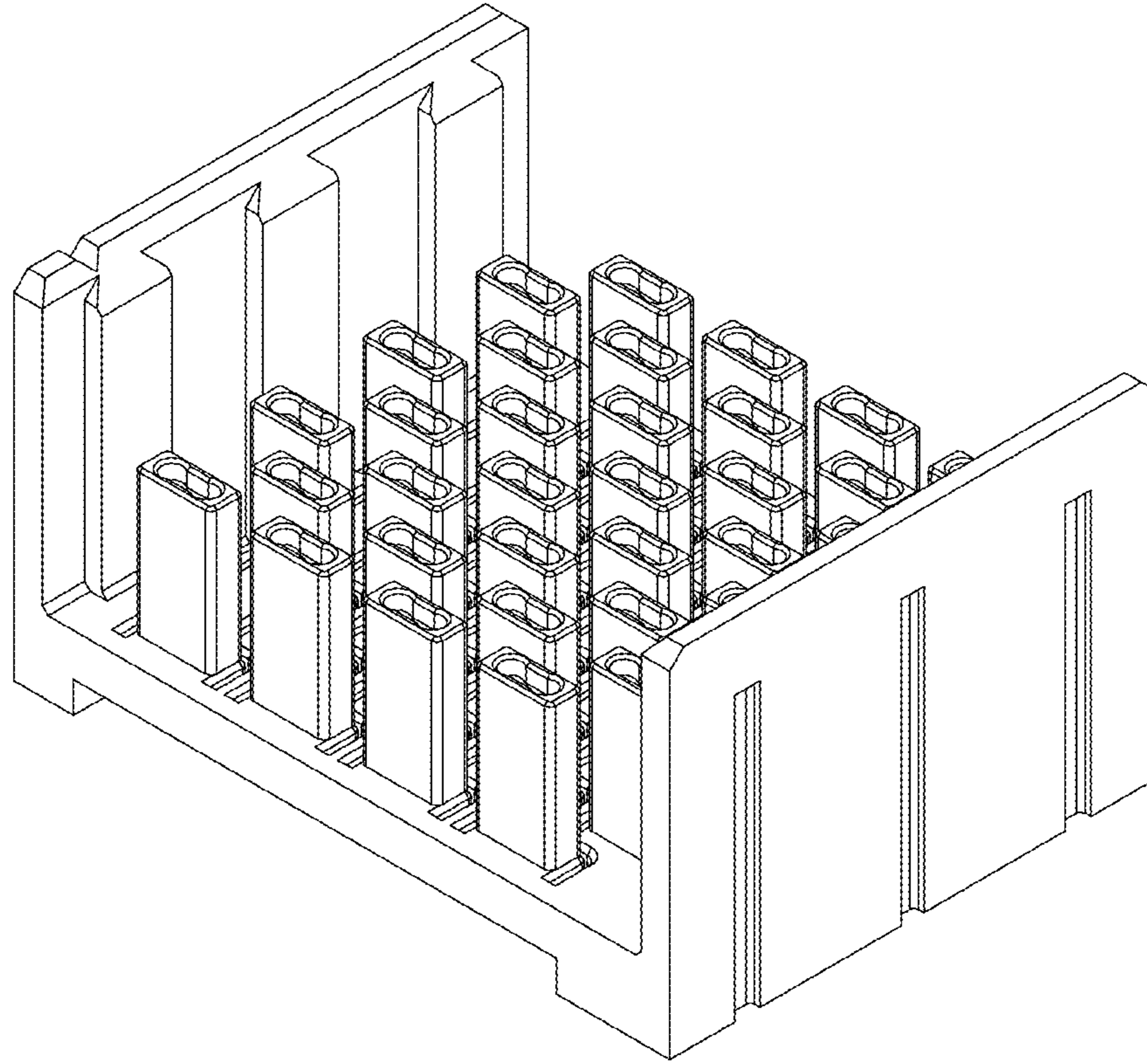


FIG. 1

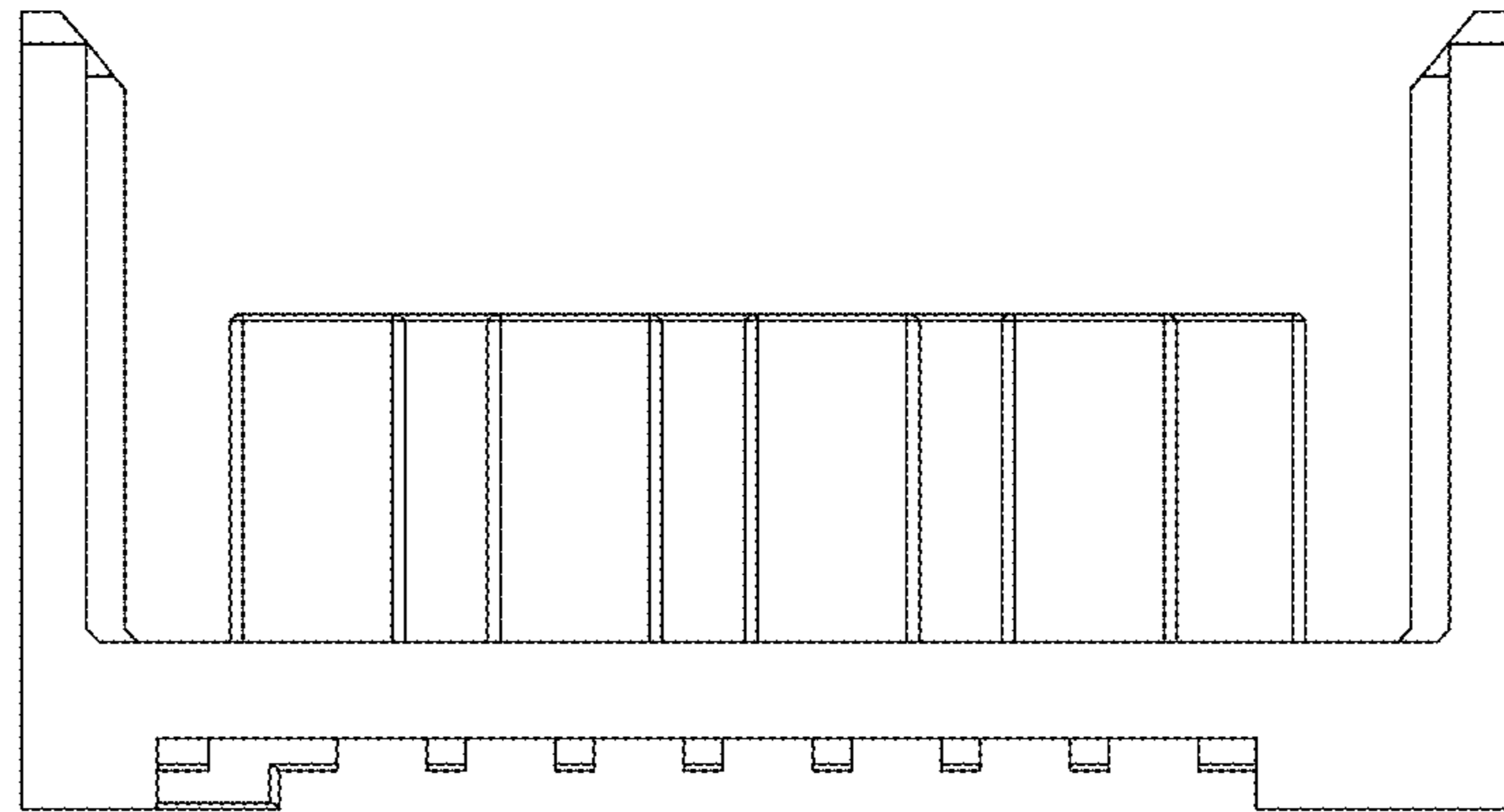


FIG. 2

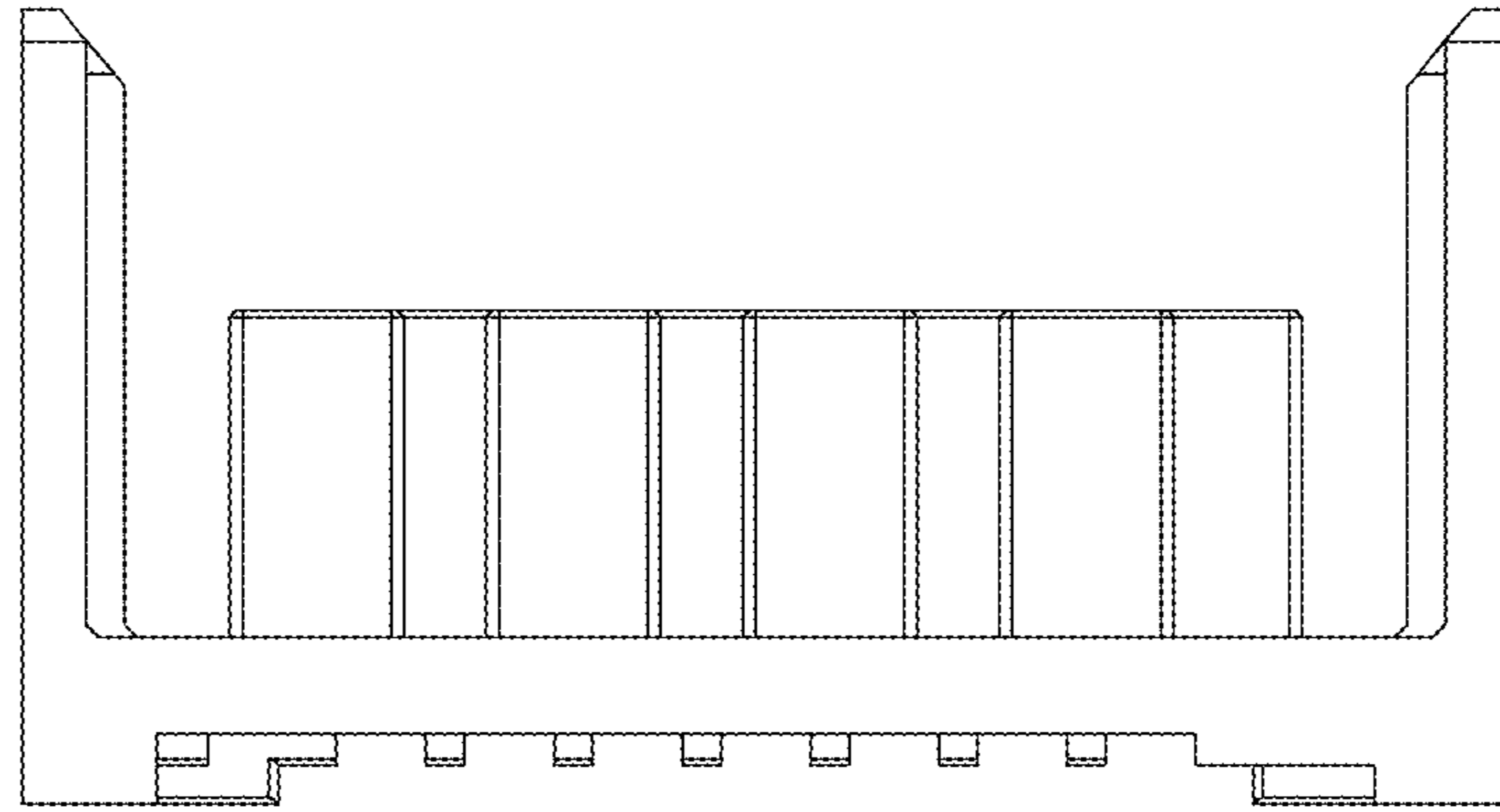


FIG. 3

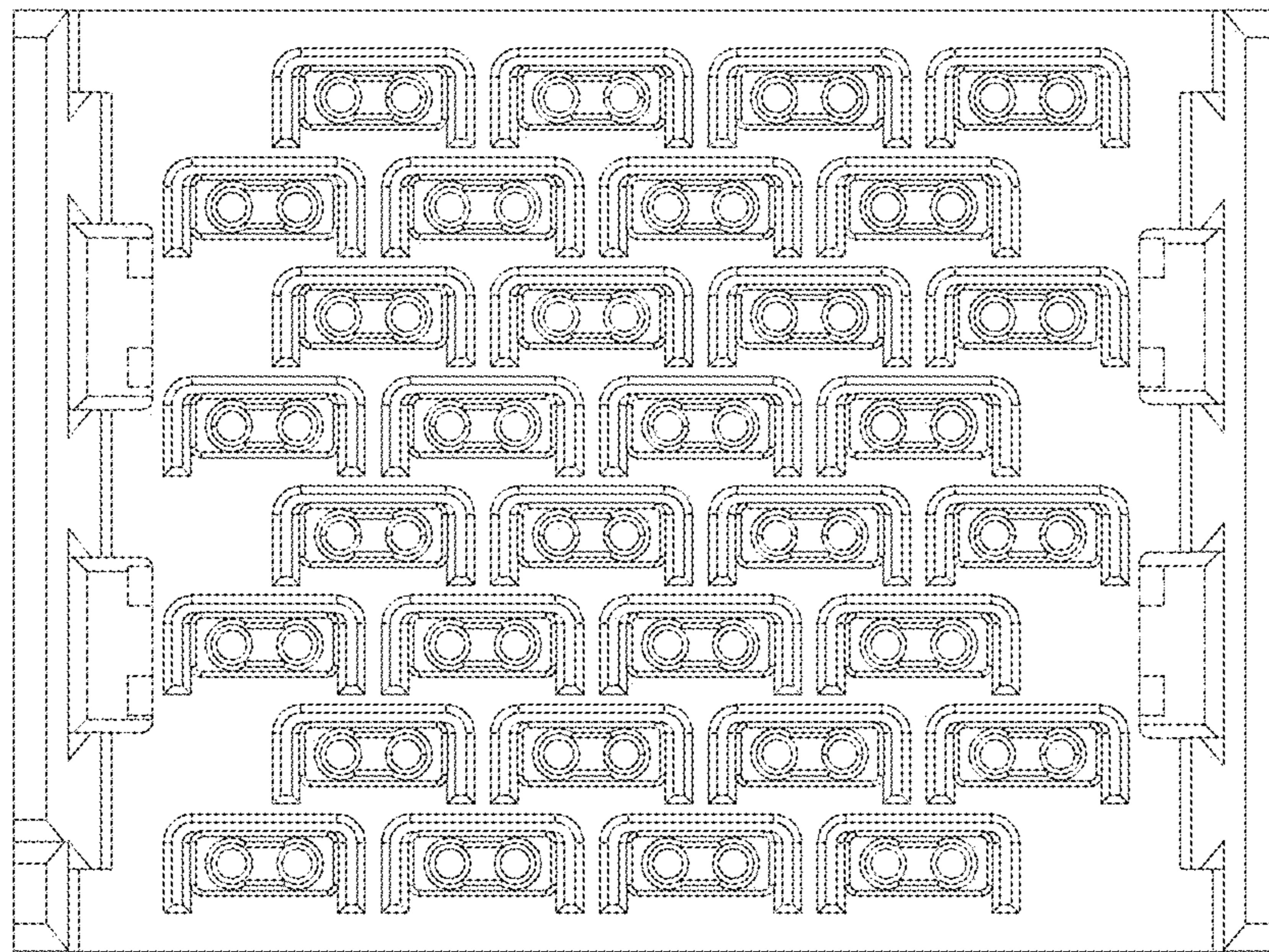


FIG. 4

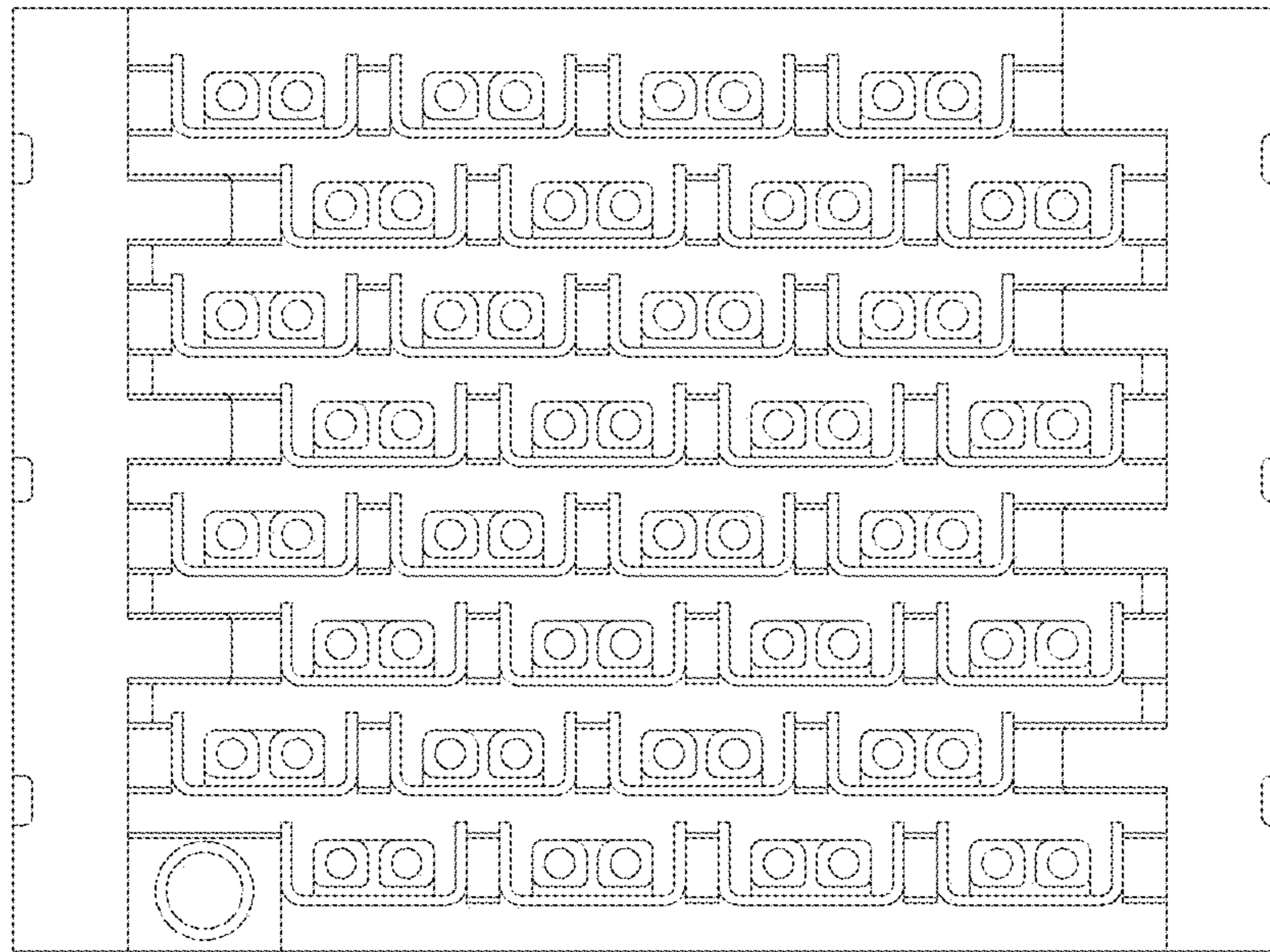


FIG. 5

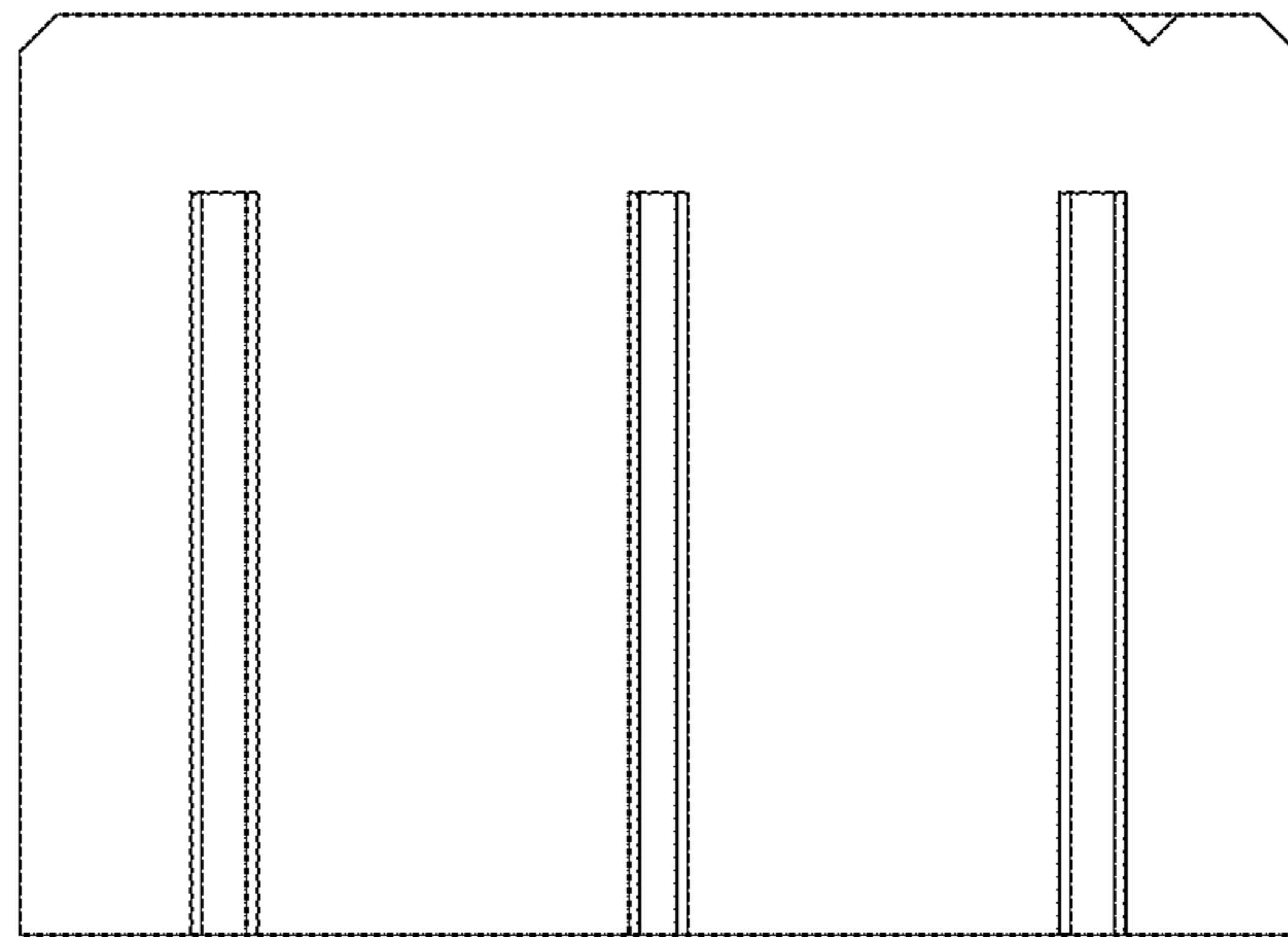


FIG. 6

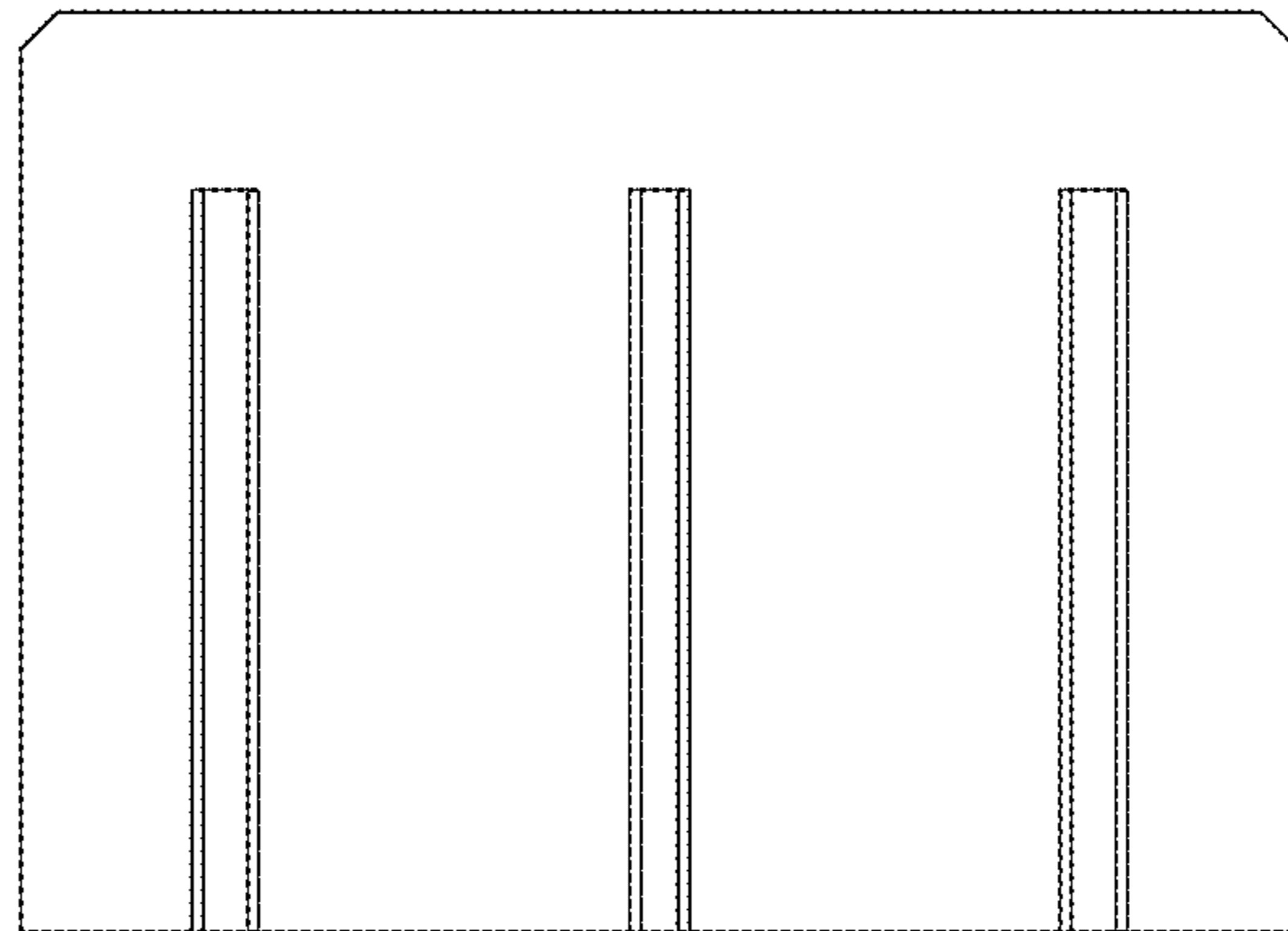


FIG. 7