



US00D948453S

(12) **United States Design Patent**
Aki et al.

(10) **Patent No.:** **US D948,453 S**

(45) **Date of Patent:** **** Apr. 12, 2022**

(54) **GATEWAY UNIT**

(71) Applicant: **SMC CORPORATION**, Tokyo (JP)

(72) Inventors: **Tomohiko Aki**, Nagareyama (JP); **Yuko Kochi**, Tsukubamirai (JP); **Norimasa Ozaki**, Moriya (JP)

(73) Assignee: **SMC CORPORATION**, Tokyo (JP)

(**) Term: **15 Years**

(21) Appl. No.: **29/697,945**

(22) Filed: **Jul. 12, 2019**

(30) **Foreign Application Priority Data**

Jan. 30, 2019 (JP) 2019-001672

(51) **LOC (13) Cl.** **13-03**

(52) **U.S. Cl.**
USPC **D13/147**

(58) **Field of Classification Search**
USPC D13/146, 147, 110, 123, 133, 154, 159,
D13/184, 199; D14/240, 242
CPC H01R 9/22; H01R 13/66; H01R 13/7036;
H02G 3/14; H05K 5/00; H05K 7/00;
H05K 7/20

See application file for complete search history.

(56) **References Cited**

U.S. PATENT DOCUMENTS

D259,934 S * 7/1981 Lovret D15/5
D413,323 S * 8/1999 Tashiro D14/357

D585,374 S * 1/2009 Kim D13/123
D695,686 S * 12/2013 Fukano D13/146
D695,687 S * 12/2013 Fukano D13/146
D705,171 S * 5/2014 Fukano D13/146
D901,385 S * 11/2020 Aki D13/123
D924,138 S * 7/2021 Aki D13/123
D938,357 S * 12/2021 Aki D13/123

* cited by examiner

Primary Examiner — Bridget L Eland

(74) *Attorney, Agent, or Firm* — Birch, Stewart, Kolasch & Birch, LLP

(57) **CLAIM**

The ornamental design for a gateway unit, as shown and described.

DESCRIPTION

FIG. 1 is a front, top and left side perspective view of a gateway unit showing our new design; FIG. 2 is a rear, bottom and right side perspective view thereof;

FIG. 3 is a front view thereof;

FIG. 4 is a rear view thereof;

FIG. 5 is a top plan view thereof;

FIG. 6 is a bottom plan view thereof;

FIG. 7 is a left side view thereof; and,

FIG. 8 is a right side view thereof.

The broken lines depict portions of the gateway unit that form no part of the claimed design.

1 Claim, 8 Drawing Sheets

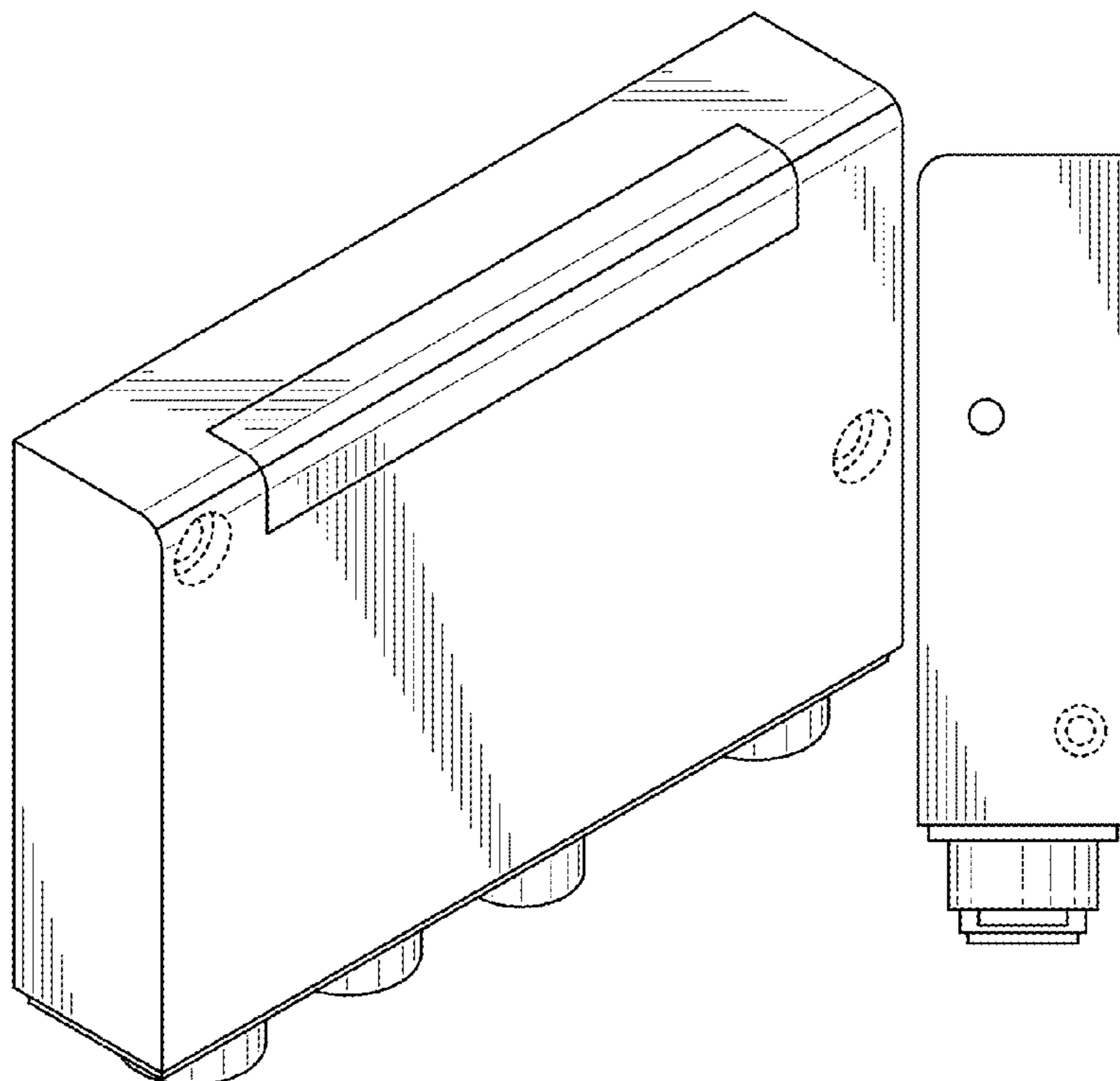


FIG. 1

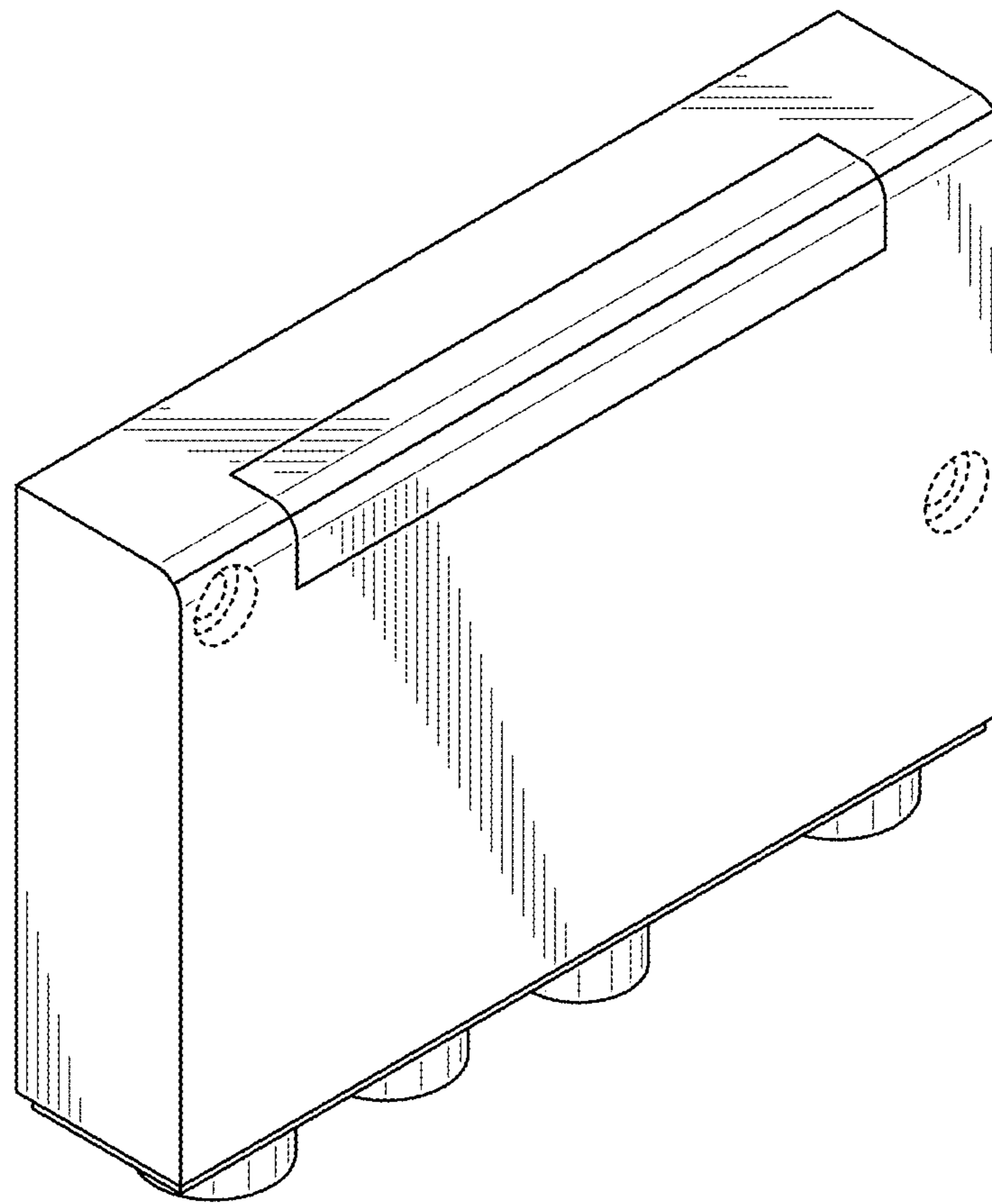


FIG. 2

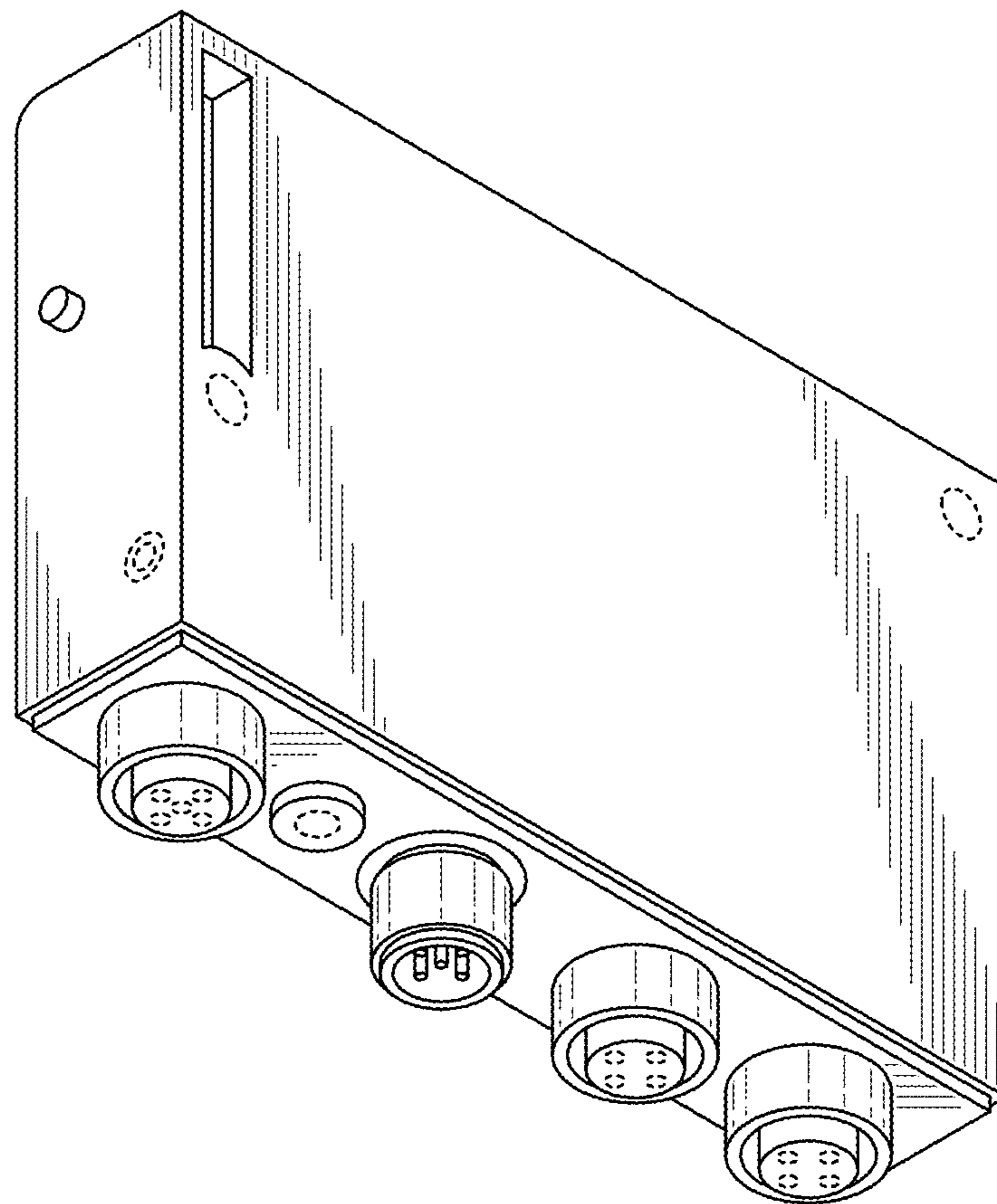


FIG. 3

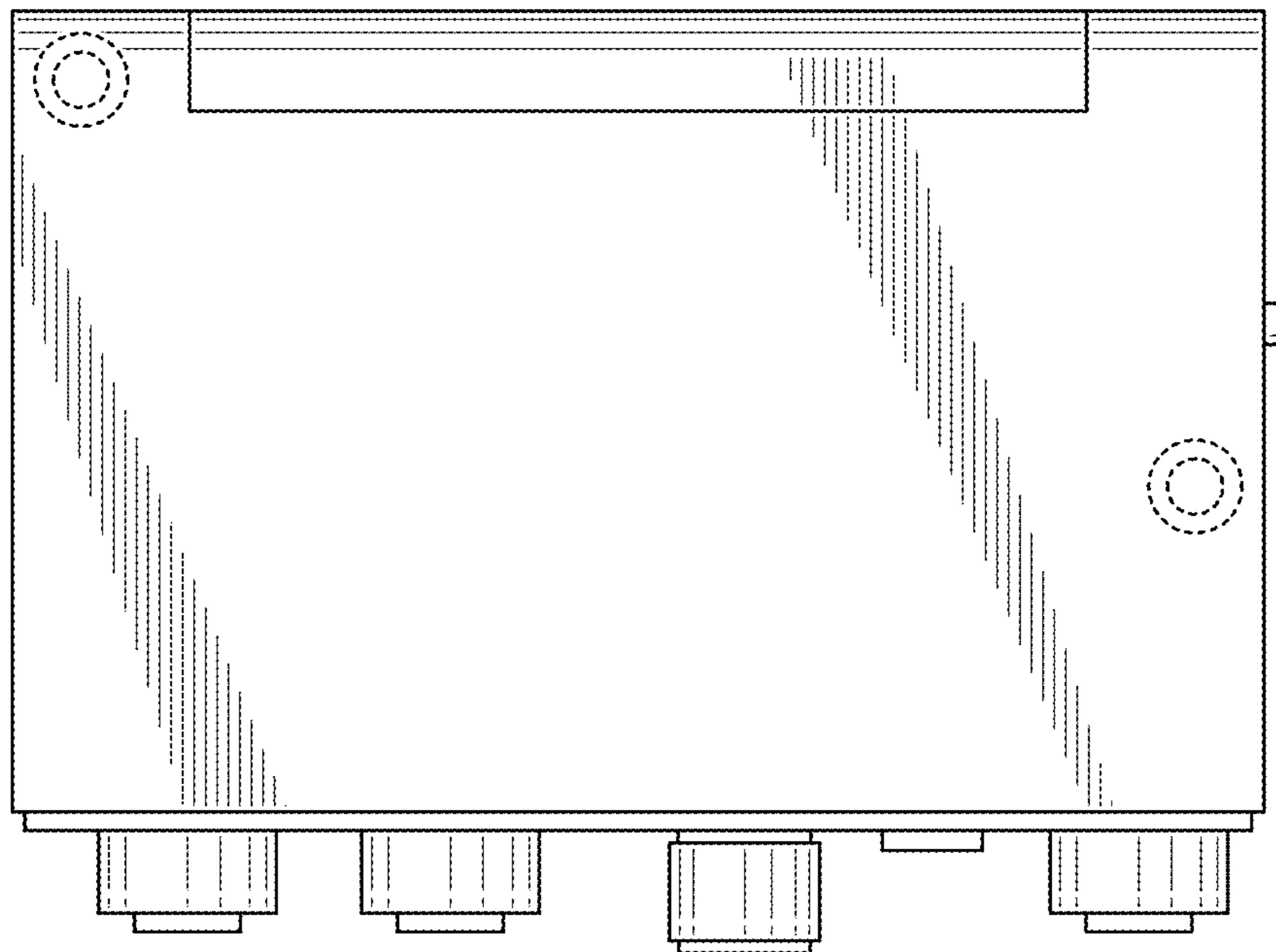


FIG. 4

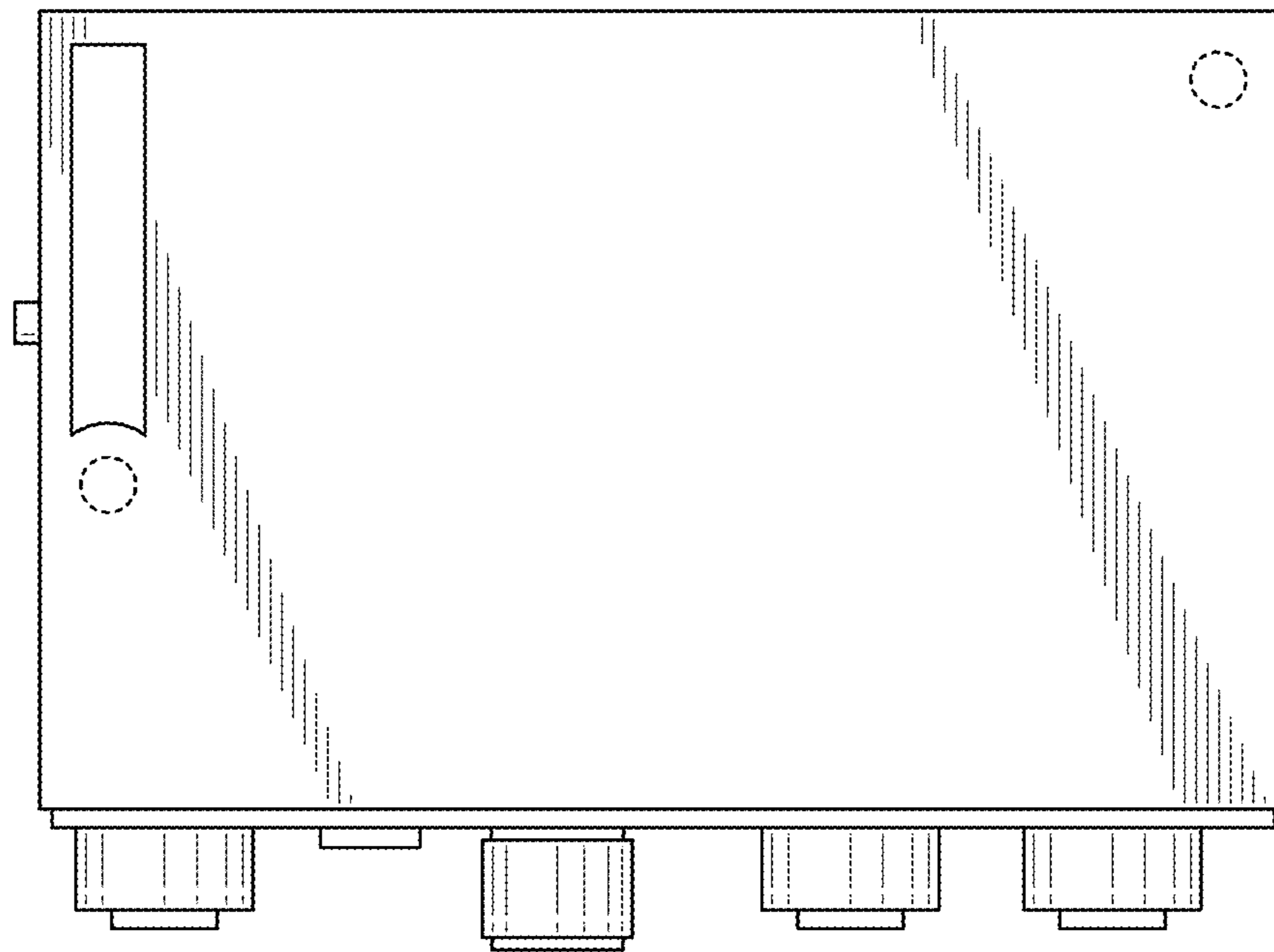


FIG. 5

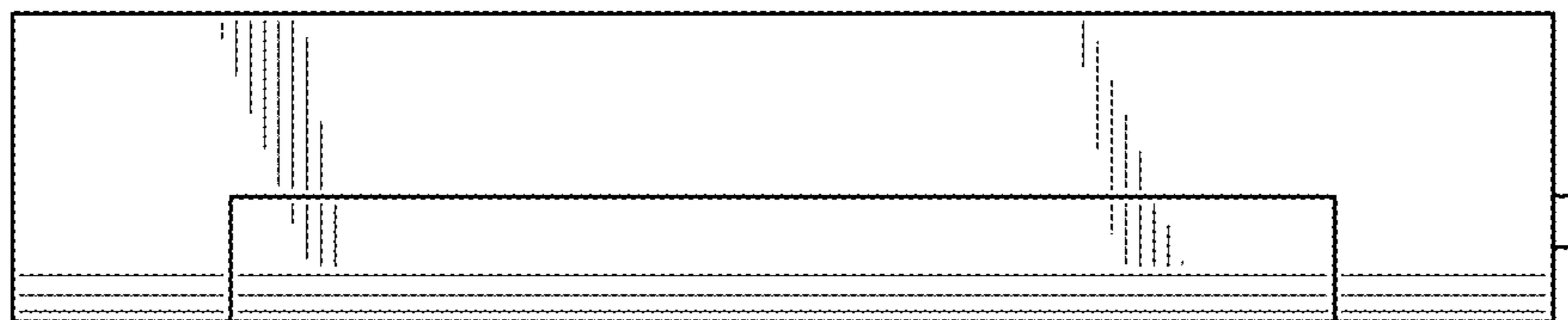


FIG. 6

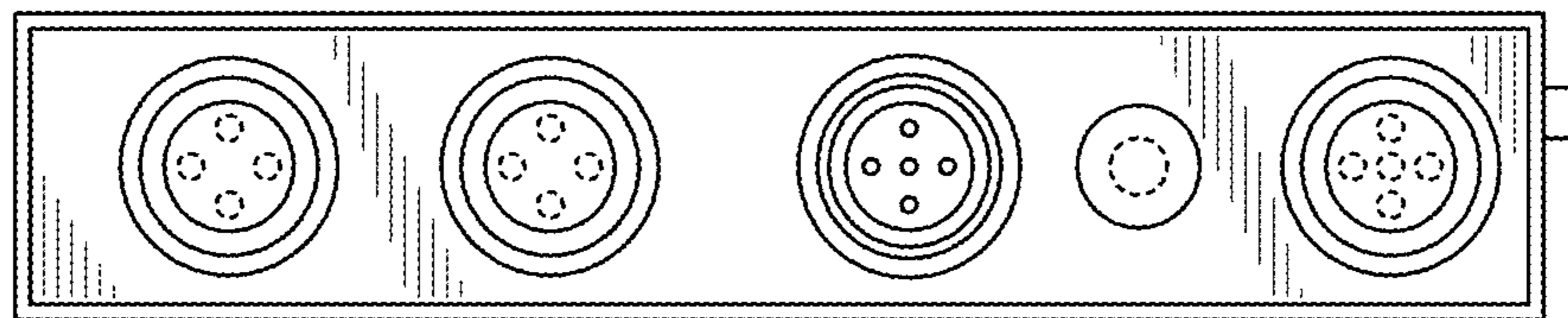


FIG. 7

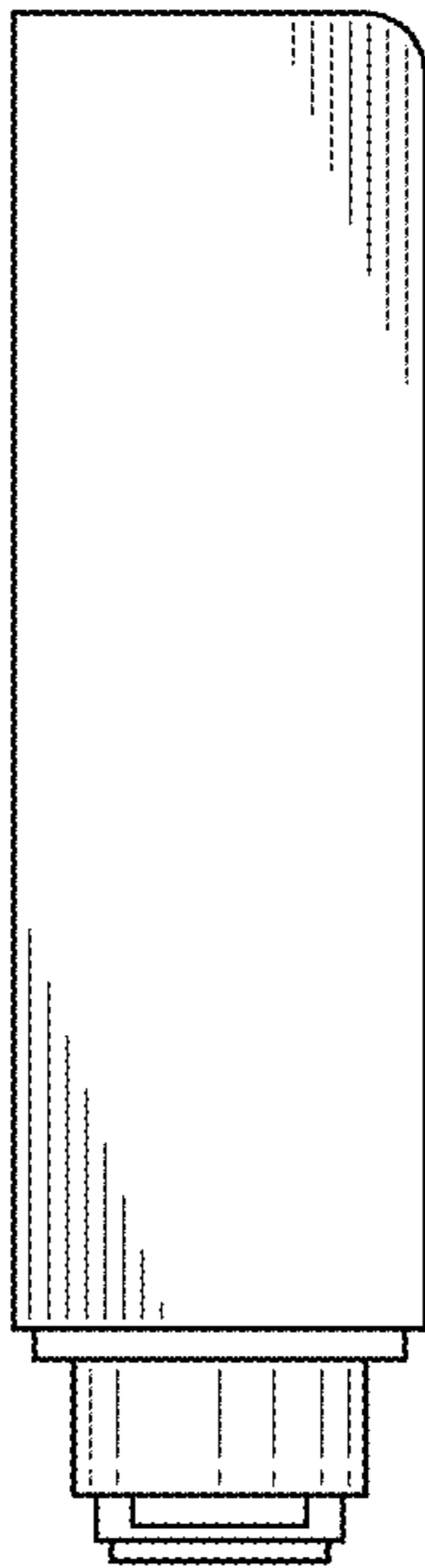


FIG. 8

