



US00D948451S

(12) **United States Design Patent**
Wang

(10) **Patent No.:** **US D948,451 S**

(45) **Date of Patent:** **** Apr. 12, 2022**

(54) **POWER STRIP**

(71) Applicant: **Minghai Wang**, Pingxiang (CN)

(72) Inventor: **Minghai Wang**, Pingxiang (CN)

(**) Term: **15 Years**

(21) Appl. No.: **29/769,626**

(22) Filed: **Feb. 6, 2021**

(51) **LOC (13) Cl.** **13-03**

(52) **U.S. Cl.**

USPC **D13/139.8**

(58) **Field of Classification Search**

USPC D13/137.1, 137.2, 137.3, 137.4, 138.1,
D13/138.2, 139.1, 139.2, 139.3, 139.4,
D13/139.5, 139.6, 139.7, 139.8, 103, 107,
D13/108, 110, 119, 123, 133, 145, 152,
D13/153, 154, 156, 158, 160, 162, 177,
D13/184, 199

CPC H01R 13/00; H01R 13/03; H01R 13/04;
H01R 13/10; H01R 13/35; H01R 13/44;
H01R 13/453; H01R 13/4534; H01R
13/502; H01R 13/514; H01R 13/631;
H01R 13/639; H01R 13/6633; H01R
13/6666; H01R 13/6675; H01R 13/7135;
H01R 31/02; H01R 31/06; H01R 31/065

See application file for complete search history.

(56) **References Cited**

U.S. PATENT DOCUMENTS

D409,978 S * 5/1999 Stekelenburg D13/139.6
D574,328 S * 8/2008 Chen D13/139.6
D705,732 S * 5/2014 Lee D13/137.2
D775,081 S * 12/2016 Xu D13/139.6
D796,445 S * 9/2017 Xu D13/139.6
D797,676 S 9/2017 Xu
D816,039 S * 4/2018 Lu D13/139.8
D864,874 S * 10/2019 Xu D13/139.8
D886,064 S 6/2020 Chen
D900,033 S * 10/2020 Chen D13/137.2
D900,748 S * 11/2020 Chen D13/137.2

D904,983 S * 12/2020 Chen D13/139.8
D908,631 S * 1/2021 Yu D13/137.2
D913,243 S * 3/2021 Chan D13/137.2
D922,953 S * 6/2021 Mei D13/139.8

(Continued)

FOREIGN PATENT DOCUMENTS

GB 6140071 * 5/2021
IL 59593 * 11/2018
KR 300781978.0000 * 2/2015

OTHER PUBLICATIONS

“Power Strip , Tcstei Surge Protector with 12 Outlets and 4 USB Ports, 6 Feet Extension Cord (1875W/15A) for for Home, Office, Dorm Essentials, 2700 Joules, ETL Listed, (Black)”, first available Nov. 30, 2020. Amazon.com [https://www.amazon.com//dp/B08PC872RL] (Year: 2020).*

(Continued)

Primary Examiner — Rosemary K Tarcza

Assistant Examiner — Seth David Kumpf

(57) **CLAIM**

The ornamental design for a power strip, as shown and described.

DESCRIPTION

FIG. 1 is a perspective view of a power strip showing my new design;

FIG. 2 is another perspective view thereof;

FIG. 3 is a front elevational view thereof;

FIG. 4 is a rear elevational view thereof;

FIG. 5 is a left side elevational view thereof;

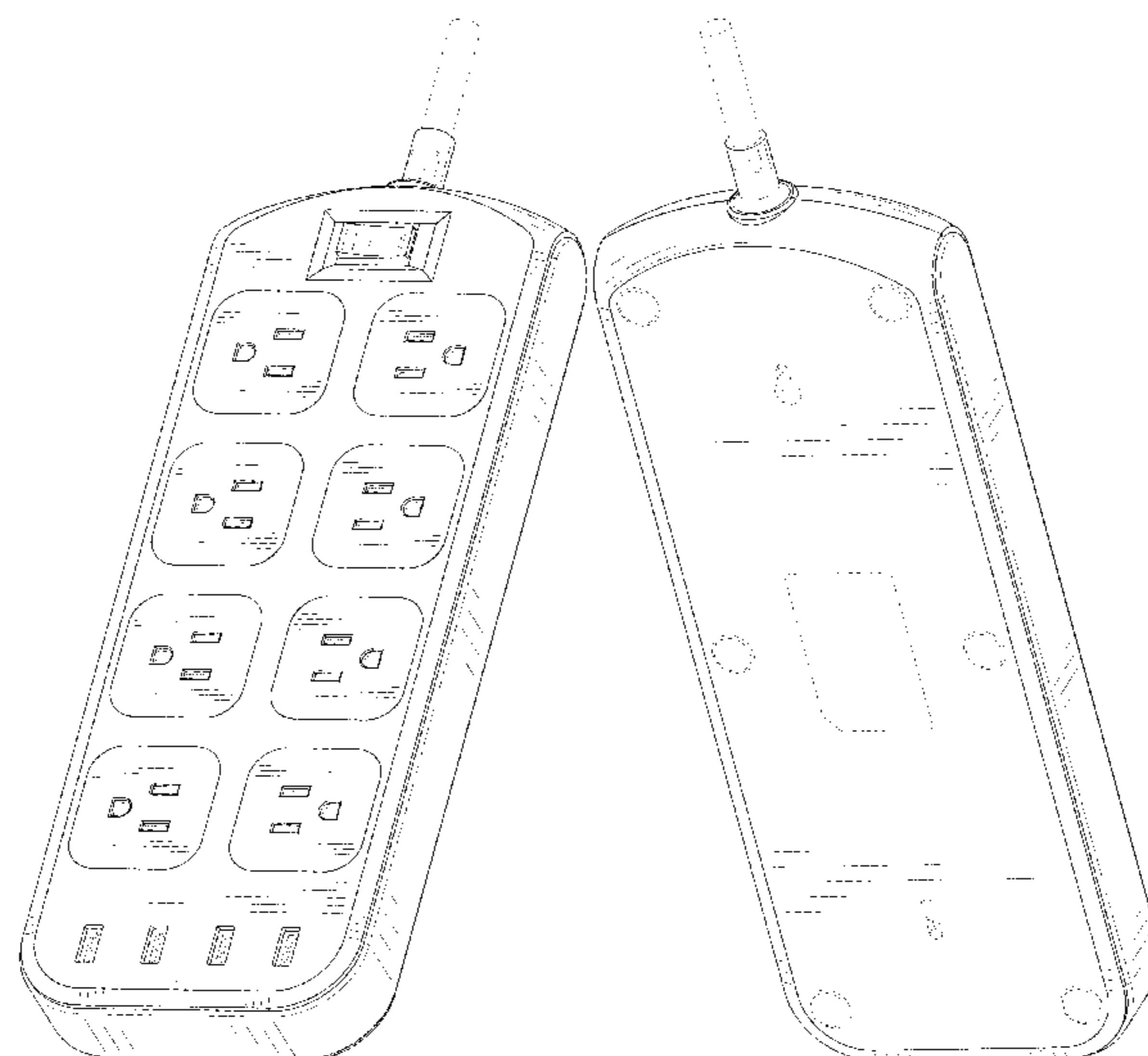
FIG. 6 is a right side elevational view thereof;

FIG. 7 is a top plan view thereof; and,

FIG. 8 is a bottom plan view thereof.

The broken lines in the drawings depict portions of the power strip that form no part of the claimed design.

1 Claim, 8 Drawing Sheets



(56)

References Cited

U.S. PATENT DOCUMENTS

D922,954 S *	6/2021	Mei	D13/139.8
D922,955 S *	6/2021	Chen	D13/139.8
D922,956 S *	6/2021	Yan	D13/139.8
D924,809 S *	7/2021	Chen	D13/137.2
D931,220 S *	9/2021	Wang	D13/137.2
D934,810 S *	11/2021	Yan	D13/139.8
D935,410 S *	11/2021	Tao	D13/137.2
2015/0236453 A1 *	8/2015	Magee, Jr.	H01R 13/6691 307/40

OTHER PUBLICATIONS

“Power Strip , Tcstei Surge Protector with 8 Outlets and 4 USB Ports(1 USB C Outlet), 6 Feet Extension Cord (1875W/15A), 2700 Joules, ETL Listed, Grey”, first available Aug. 31, 2021. Amazon.com [https://www.amazon.com/dp/B09F2XVZHK] (Year: 2021).*

“Power Strip, Surge Protector Flat Plug, 12 Outlets & 3 USB Charging Ports, 1875W/15A 1700J, 6ft Extension Cord, Overload

Protection, Wall Mountable for Home Office Computer TV (White)”, first available Jul. 29, 2021. Amazon.com [https://www.amazon.com/dp/B099X1DXDL] (Year: 2021).*

“Surge Protector Power Strip , Nuetsa Extension Cord with 8 Outlets and 4 USB Ports, 6 Feet Power Cord (1625W/13A) , 2700 Joules, ETL Listed, Black”, first available Aug. 31, 2021. [https://www.amazon.com/dp/B09F2XPJ47] (Year: 2021).*

“Power Strip, Alestor Surge Protector with 12 Outlets and 4 USB Ports, 6 Feet Extension Cord (1875W/15A), 2700 Joules, ETL Listed, Black”, first available Nov. 26, 2020. Amazon.com [https://www.amazon.com/dp/B08P5LRY37] (Year: 2020).*

“Power Strip, QINLIANF Surge Protector with 8 Outlets and 4 USB Ports, 6 Feet Extension Cord , 2100 Joules, ETL Listed, White”, first available Aug. 17, 2021. Amazon.com [https://www.amazon.com/dp/B09CT9JPCF] (Year: 2021).*

“Power Strip with 8 Ft, POWSAV Surge Protector with 18 Outlets and 4 USB Ports(1 USB C Outlet), 8 Feet Extension Cord (1875W/15A), 2100 Joules, ETL Listed, Black”, first available Jul. 16, 2021. Amazon.com [https://www.amazon.com/dp/B099NB3TTY] (Year: 2021).*

* cited by examiner

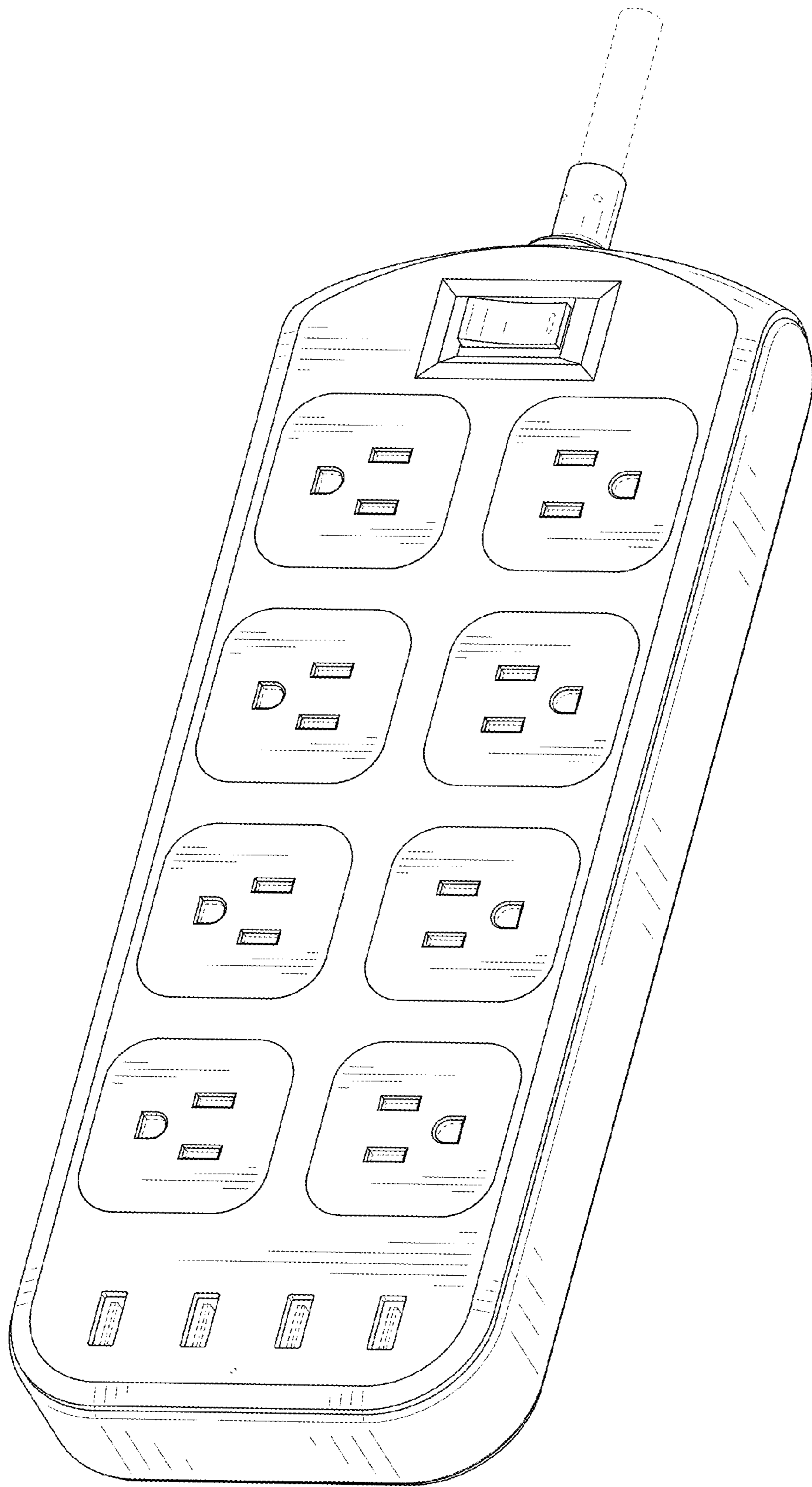


FIG. 1

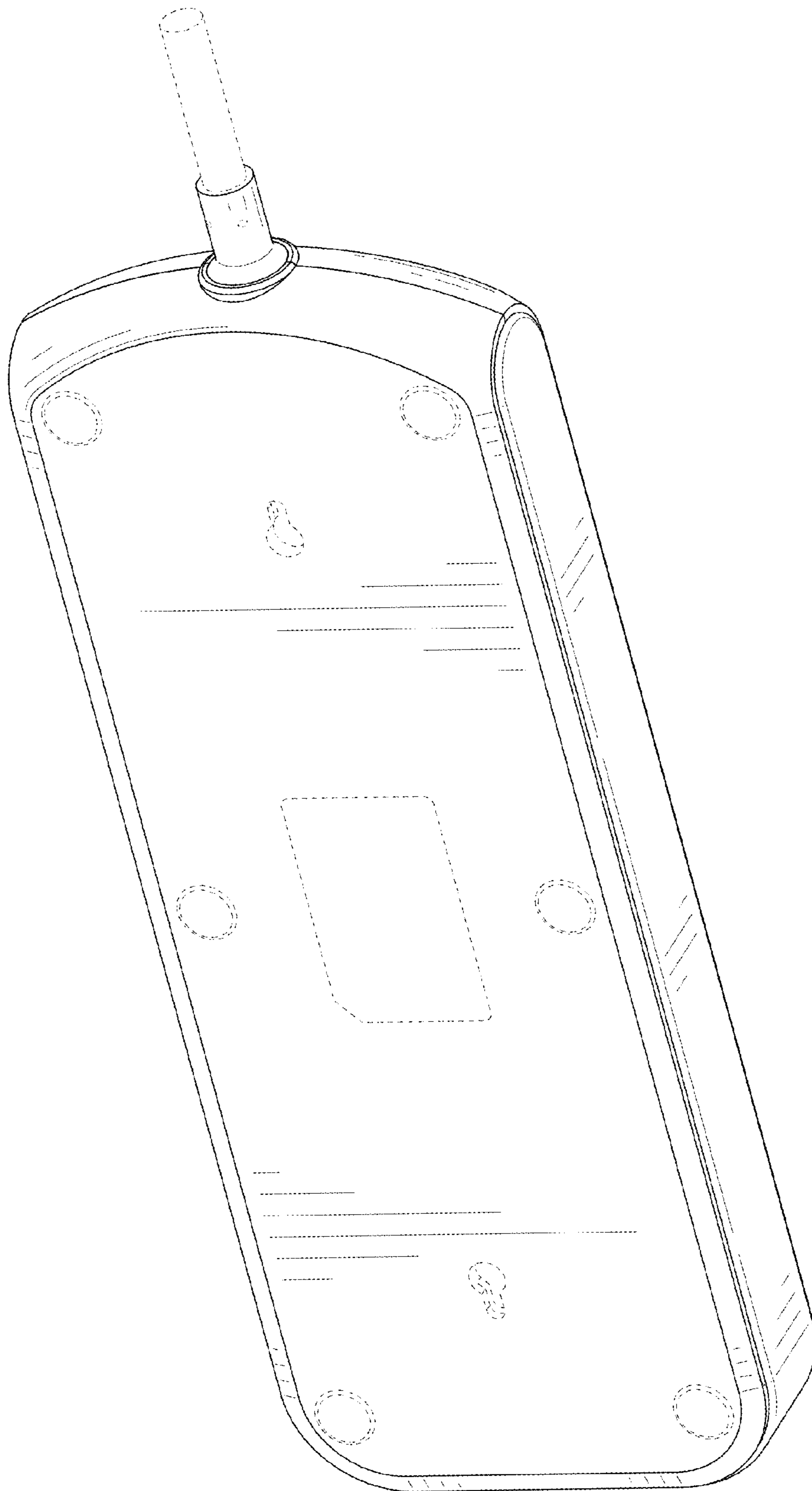


FIG. 2

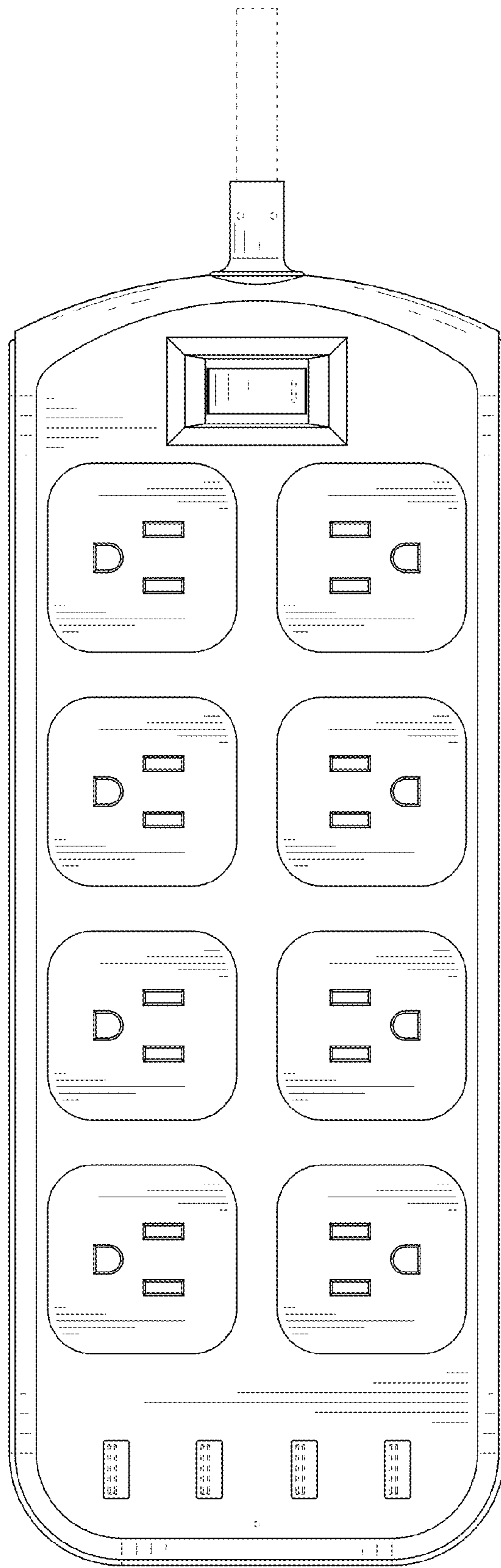


FIG. 3

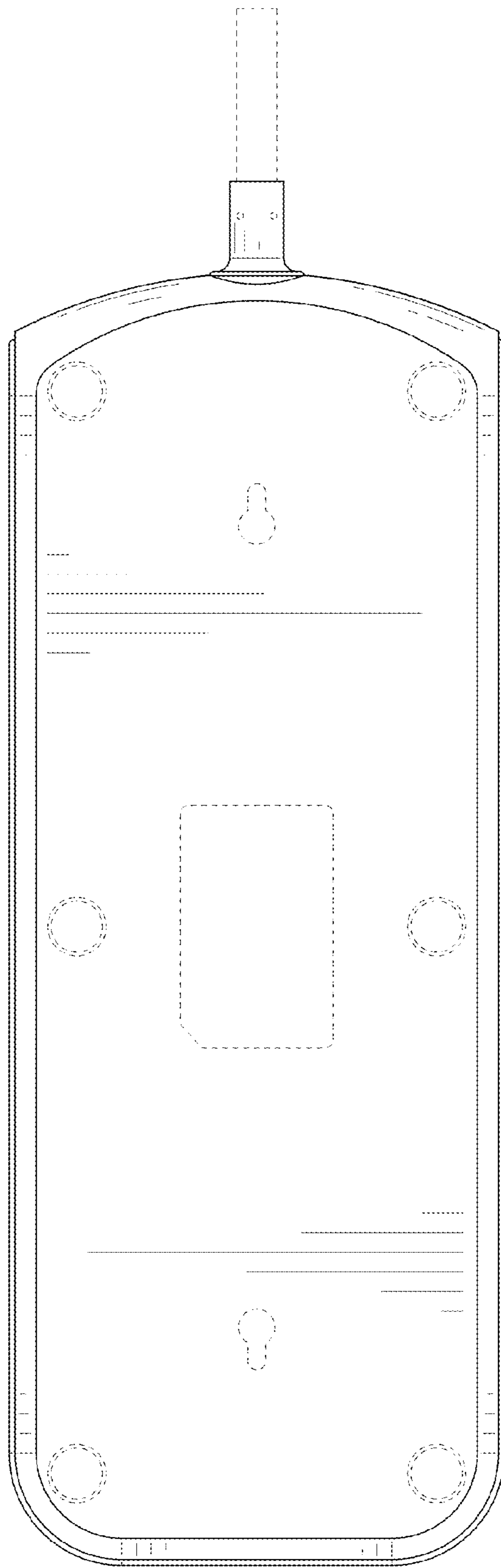


FIG. 4

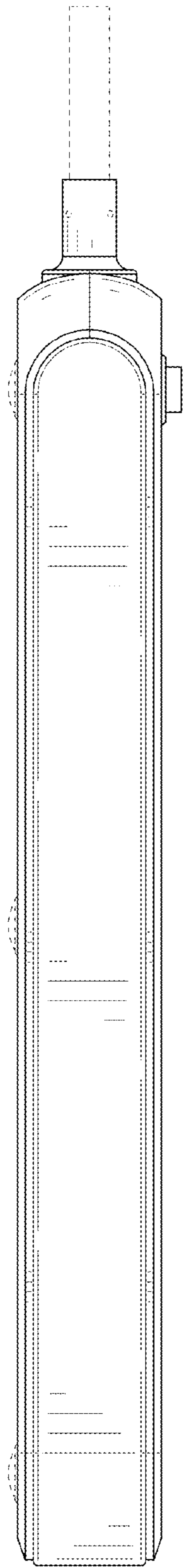


FIG. 5

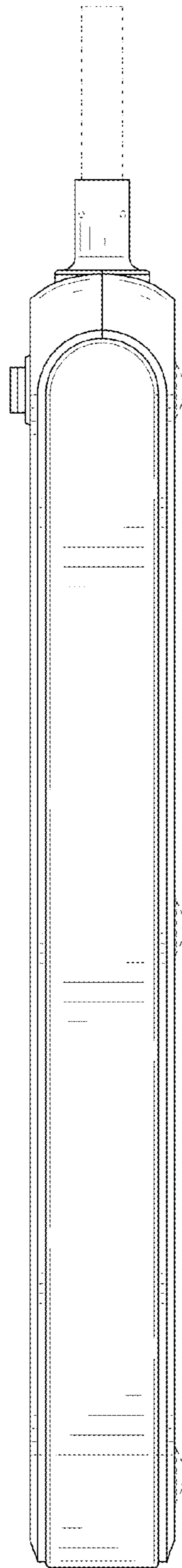


FIG. 6

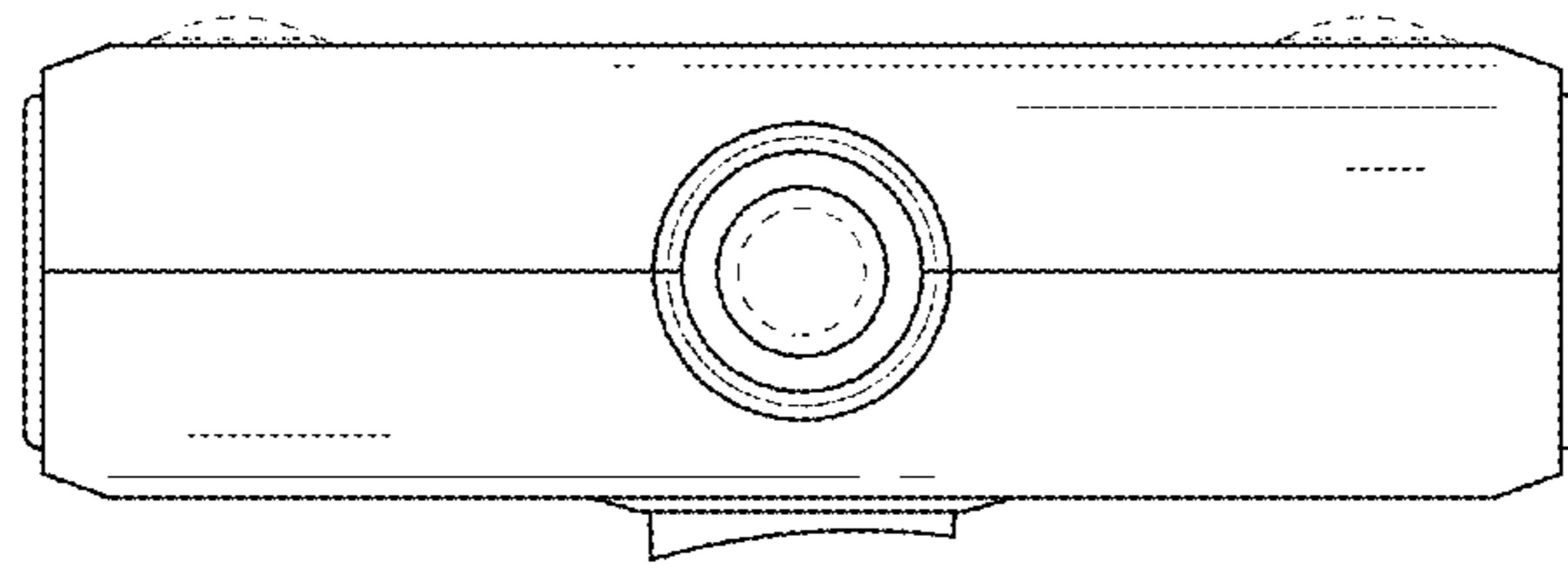


FIG. 7

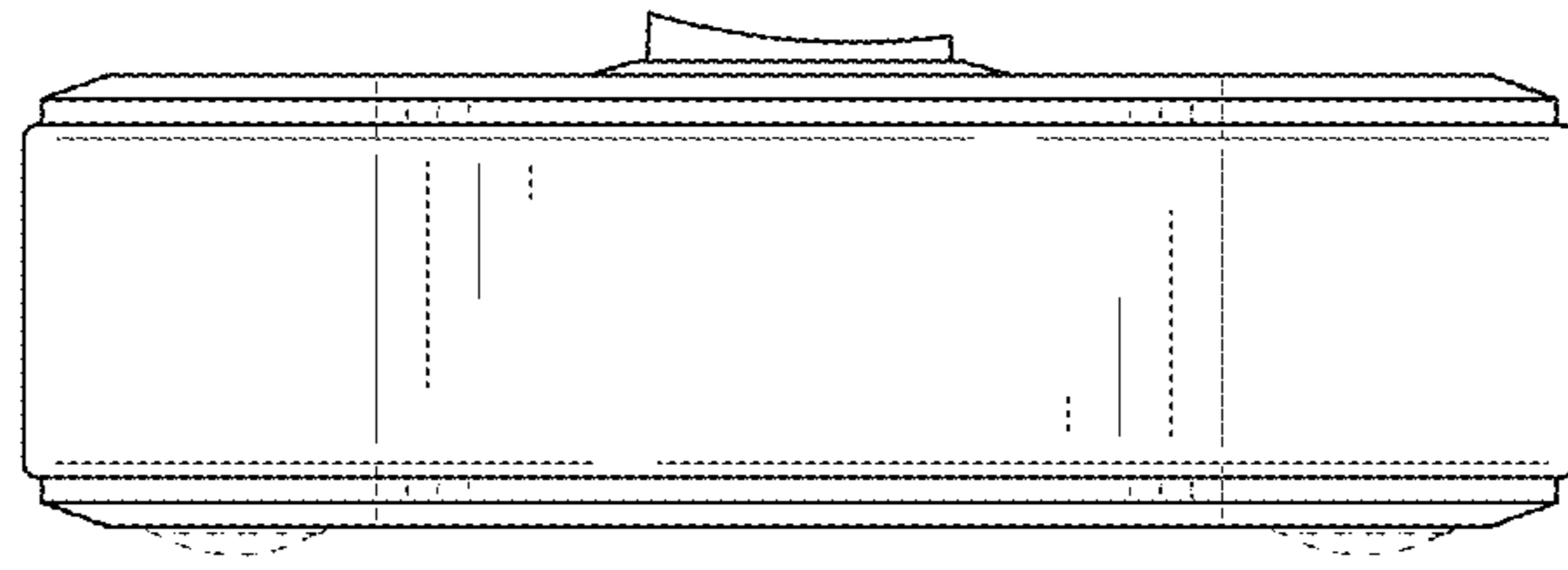


FIG. 8