



US00D948450S

(12) **United States Design Patent**
Byrne et al.

(10) **Patent No.:** **US D948,450 S**

(45) **Date of Patent:** **** Apr. 12, 2022**

(54) **ELECTRICAL POWER DISTRIBUTION UNIT**

D595,229 S 6/2009 LaGrotta
D605,139 S 12/2009 Moore
D636,728 S 4/2011 Terleski et al.

(71) Applicants: **Norman R. Byrne**, Ada, MI (US);
Joseph D. Ward, Grand Rapids, MI
(US)

(Continued)

Primary Examiner — Christy Nemeth

(72) Inventors: **Norman R. Byrne**, Ada, MI (US);
Joseph D. Ward, Grand Rapids, MI
(US)

(74) *Attorney, Agent, or Firm* — Gardner, Linn, Burkhardt
& Ondersma LLP

(**) Term: **15 Years**

(57) **CLAIM**

The ornamental design for an electrical power distribution unit, as shown and described.

(21) Appl. No.: **29/637,453**

(22) Filed: **Feb. 19, 2018**

DESCRIPTION

(51) **LOC (13) Cl.** **13-03**

(52) **U.S. Cl.**
USPC **D13/139.3**

(58) **Field of Classification Search**
USPC D13/110, 137.1–137.4, 138.1–138.2,
D13/139.1–139.8, 152
CPC H01R 25/00; H01R 25/006; H01R 11/00;
H01R 9/00; H01R 13/6675; H01R 13/10;
H01R 13/44; H01R 13/66; H01R 13/652
See application file for complete search history.

FIG. 1 is a top, front, left perspective view of an electrical power distribution unit showing our new design, according to a first embodiment;
FIG. 2 is a top, rear, left perspective view thereof;
FIG. 3 is a bottom, rear, left perspective view thereof;
FIG. 4 is a front elevation view thereof;
FIG. 5 is a rear elevation view thereof;
FIG. 6 is a right side elevation view thereof;
FIG. 7 is a left side elevation view thereof;
FIG. 8 is a top plan view thereof;
FIG. 9 is a bottom plan view thereof;
FIG. 10 is a top, front, right perspective view of an electrical power distribution unit showing our new design, according to a second embodiment;
FIG. 11 is a top, front, left perspective view thereof;
FIG. 12 is a bottom, rear, right perspective view thereof;
FIG. 13 is a front elevation view thereof;
FIG. 14 is a rear elevation view thereof;
FIG. 15 is a right side elevation view thereof;
FIG. 16 is a left side elevation view thereof;
FIG. 17 is a top plan view thereof; and,
FIG. 18 is a bottom plan view thereof.

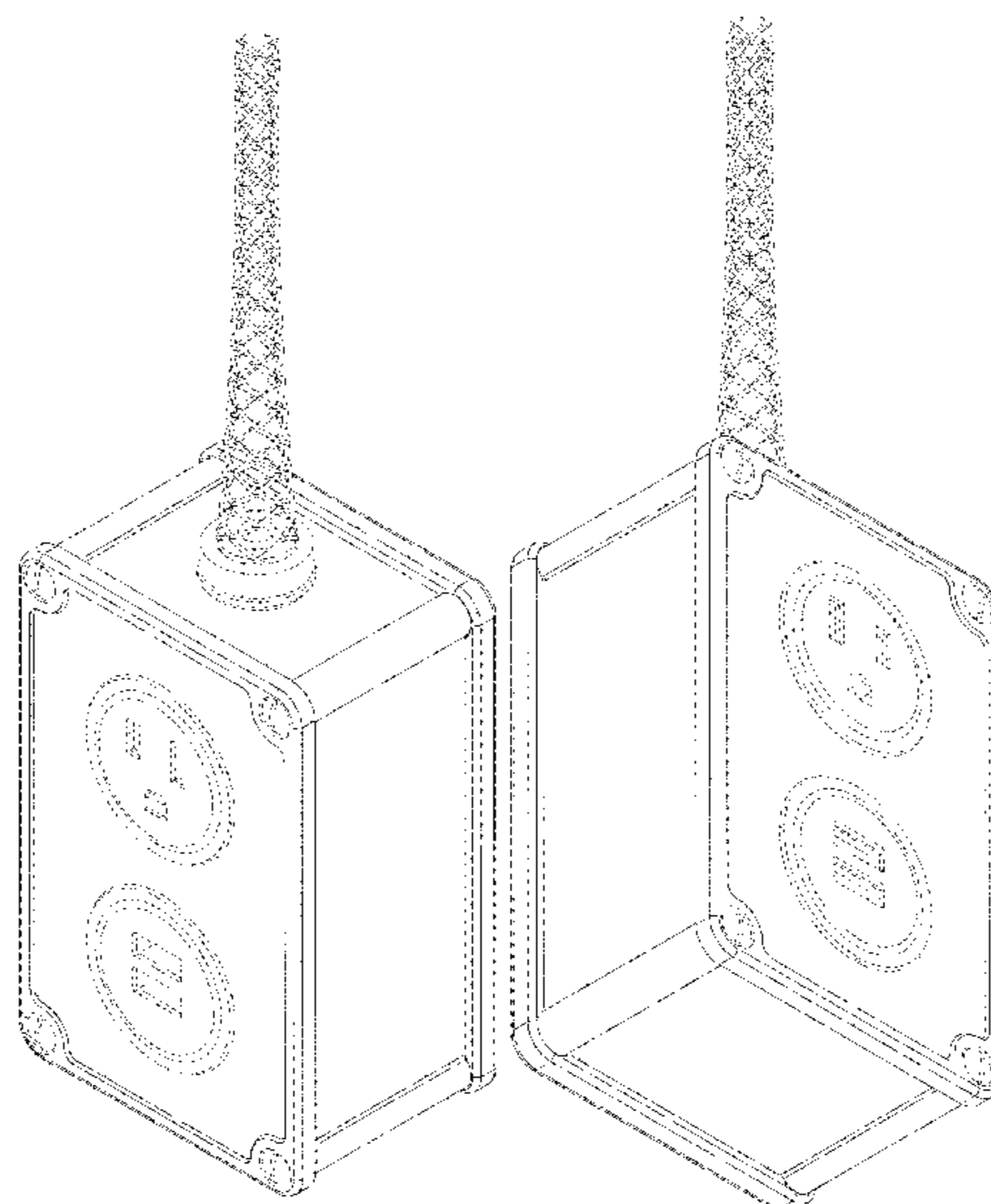
(56) **References Cited**

U.S. PATENT DOCUMENTS

1,300,265 A 4/1919 Handley
1,909,270 A 1/1933 Guett
3,851,226 A 11/1974 Chen
4,211,464 A * 7/1980 Lee H01R 25/006
439/535
4,240,688 A 12/1980 Sotolongo
D325,370 S * 4/1992 Belcher D13/137.3
D340,909 S * 11/1993 Ip D13/110
D354,943 S * 1/1995 Williams D13/137.1
D367,643 S 3/1996 Vardell
5,748,424 A 5/1998 Hung
D429,688 S * 8/2000 Russo D13/123
6,160,219 A 12/2000 Maltby et al.
6,830,477 B2 12/2004 Vander Vorste et al.
7,432,439 B2 10/2008 Takada et al.

The broken lines and the portions within are for the purpose of illustrating portions of the article that form no part of the claimed design.

1 Claim, 14 Drawing Sheets



(56)

References Cited

U.S. PATENT DOCUMENTS

D649,515 S	11/2011	Ullrich	D801,276 S	10/2017	Lin
8,187,012 B1	5/2012	Baldwin et al.	D807,298 S	1/2018	Xu
D679,403 S	4/2013	Fisher et al.	D816,037 S	4/2018	Byrne et al.
D695,693 S *	12/2013	Lee D13/152	D823,801 S *	7/2018	Ouyang D13/110
D700,892 S *	3/2014	Segnit D13/137.2	D834,519 S *	11/2018	Faul D13/137.2
D710,804 S	8/2014	Duffy et al.	10,305,216 B1 *	5/2019	Shotey H02G 3/14
D711,828 S	8/2014	Mozdzer	D852,741 S *	7/2019	Trachtenberg D13/110
D722,975 S *	2/2015	Debone D13/152	D857,633 S *	8/2019	Byrne D13/139.4
D724,030 S *	3/2015	Faul D13/139.1	D878,299 S *	3/2020	Lyu D13/139.8
D736,159 S	4/2015	Byrne et al.	D878,300 S *	3/2020	Lyu D13/139.8
9,000,298 B2	4/2015	Byrne et al.	D879,716 S *	3/2020	Chuang D13/110
D734,724 S *	7/2015	Faul D13/137.4	D881,819 S *	4/2020	Shan D13/139.7
D737,208 S *	8/2015	Faul D13/139.1	D885,345 S *	5/2020	Chen D13/139.8
D740,228 S	10/2015	Page et al.	D888,665 S *	6/2020	Xiong D13/110
D742,830 S *	11/2015	Croft D13/137.2	D899,361 S *	10/2020	Lv D13/108
D755,128 S	5/2016	Page et al.	D899,374 S *	10/2020	Amoss D13/138.2
D762,175 S	7/2016	Byrne et al.	D900,749 S *	11/2020	Bao D13/137.2
D765,033 S	8/2016	Oosterman et al.	D903,600 S *	12/2020	Tseng D13/137.2
D776,056 S	1/2017	Block et al.	D908,092 S *	1/2021	Jiang D13/137.4
			2009/0294147 A1	12/2009	Stockton
			2015/0303821 A1	10/2015	Lee et al.
			2019/0341757 A1 *	11/2019	Losaw H02G 3/081

* cited by examiner

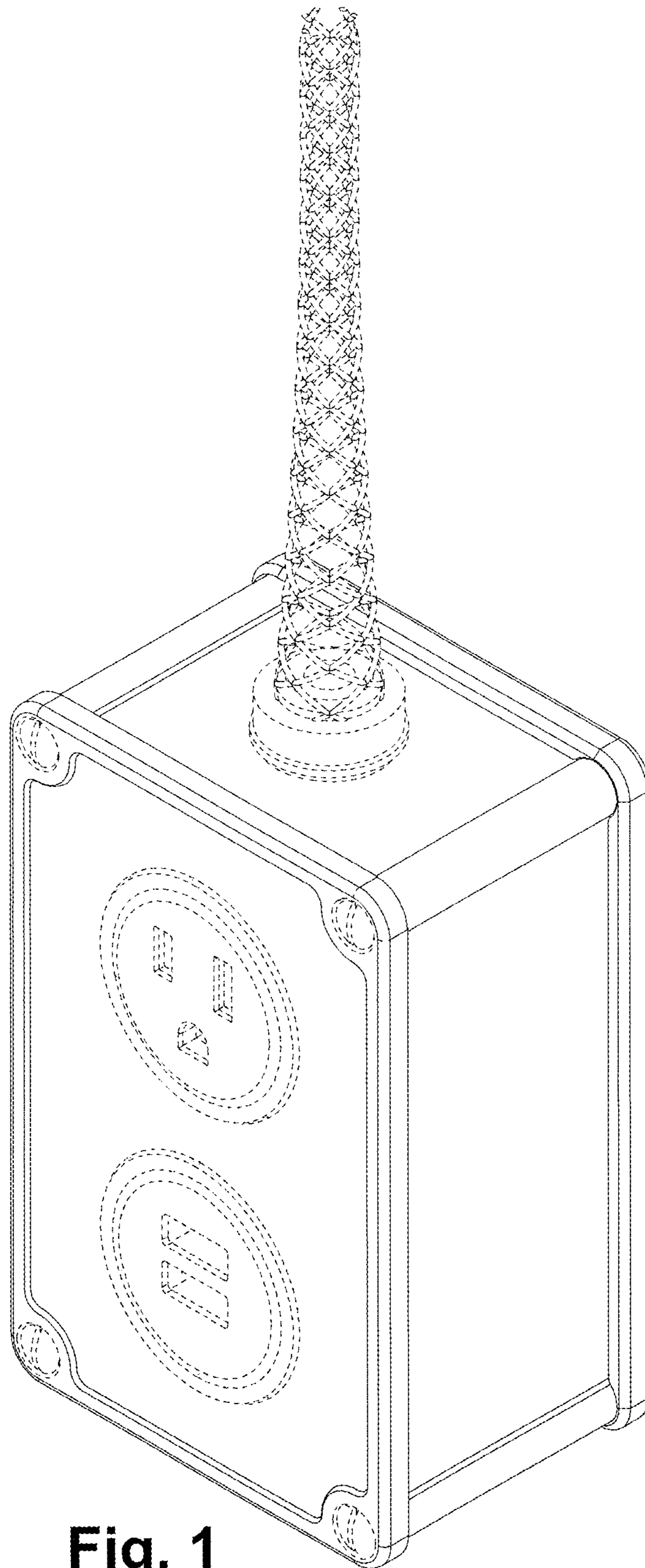


Fig. 1

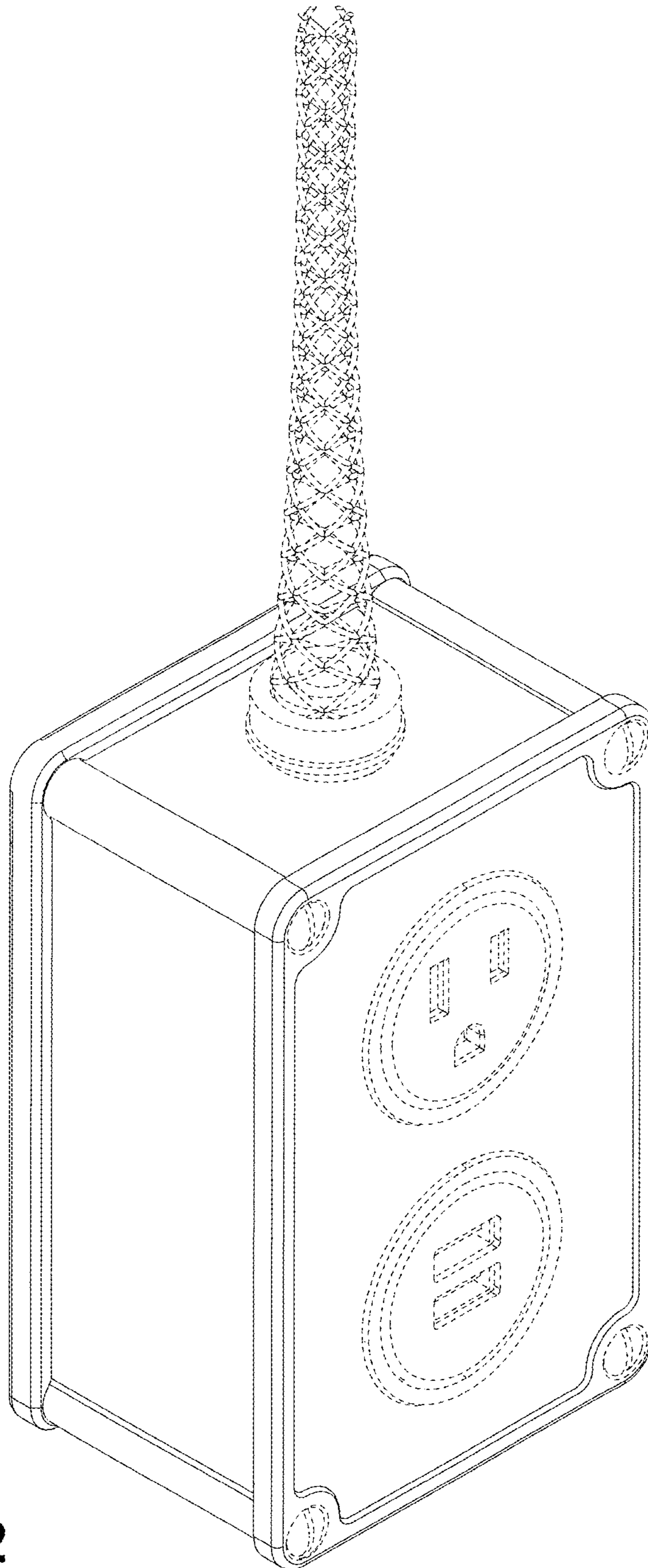


Fig. 2

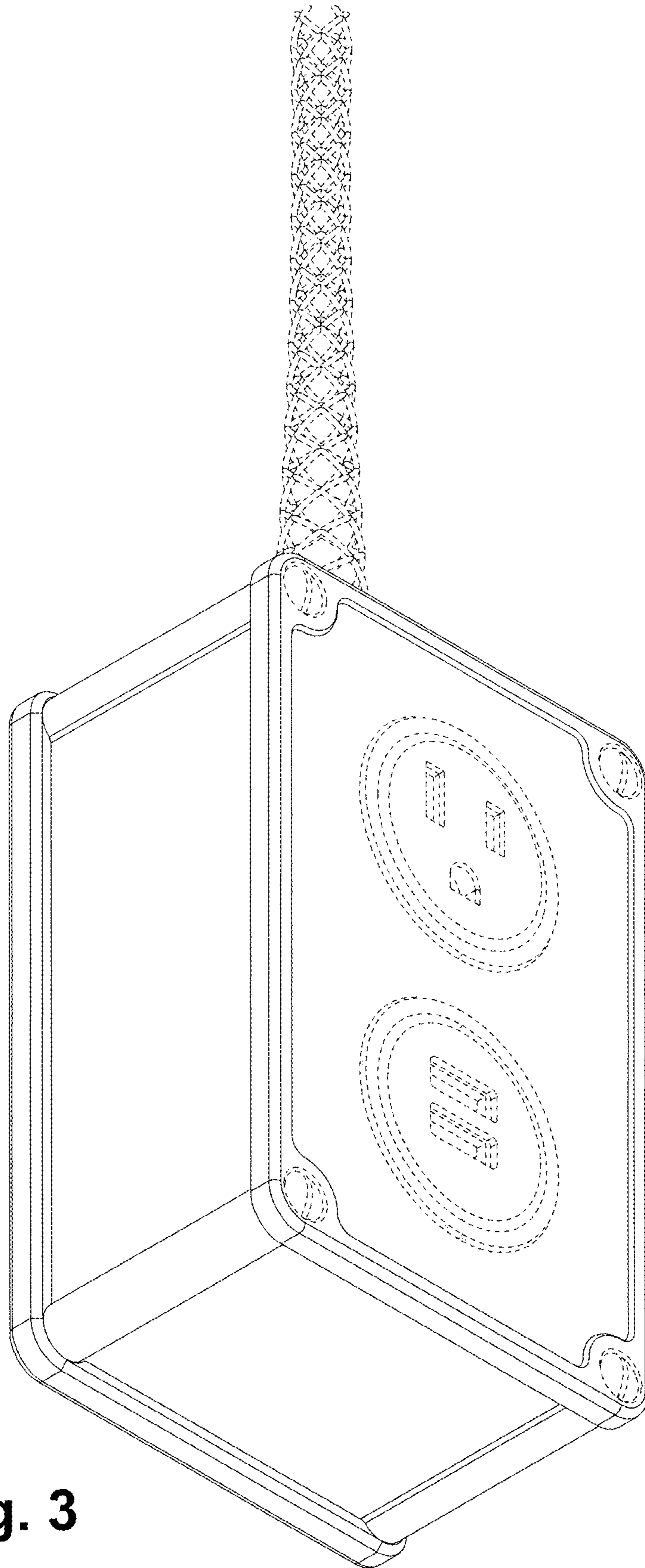


Fig. 3

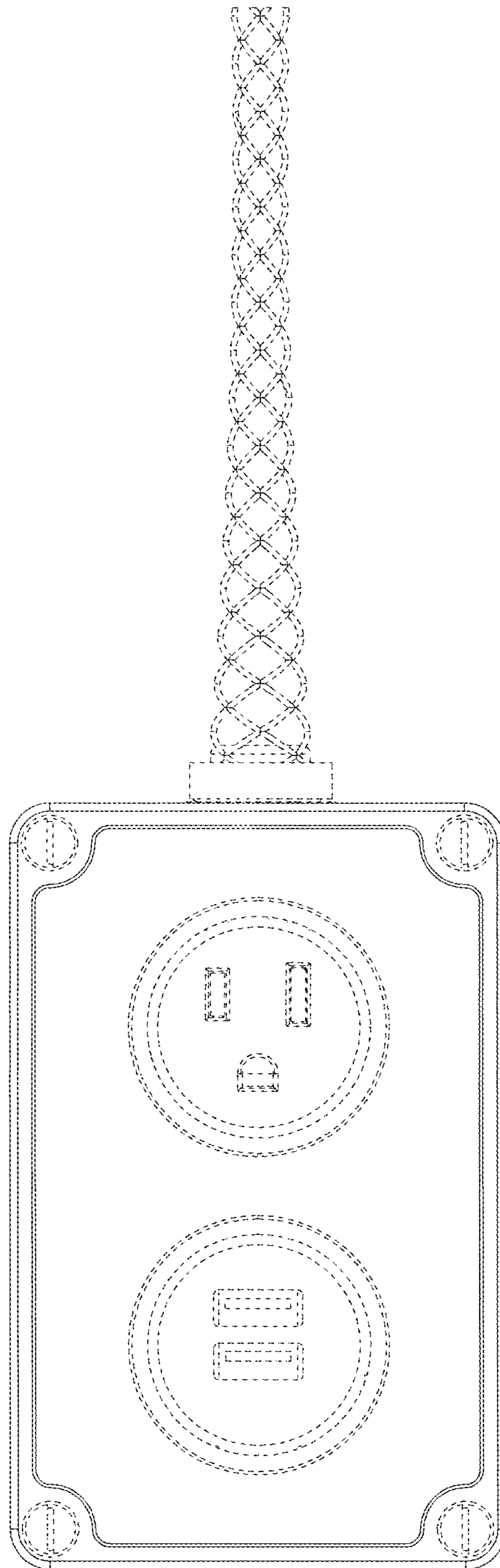


Fig. 4

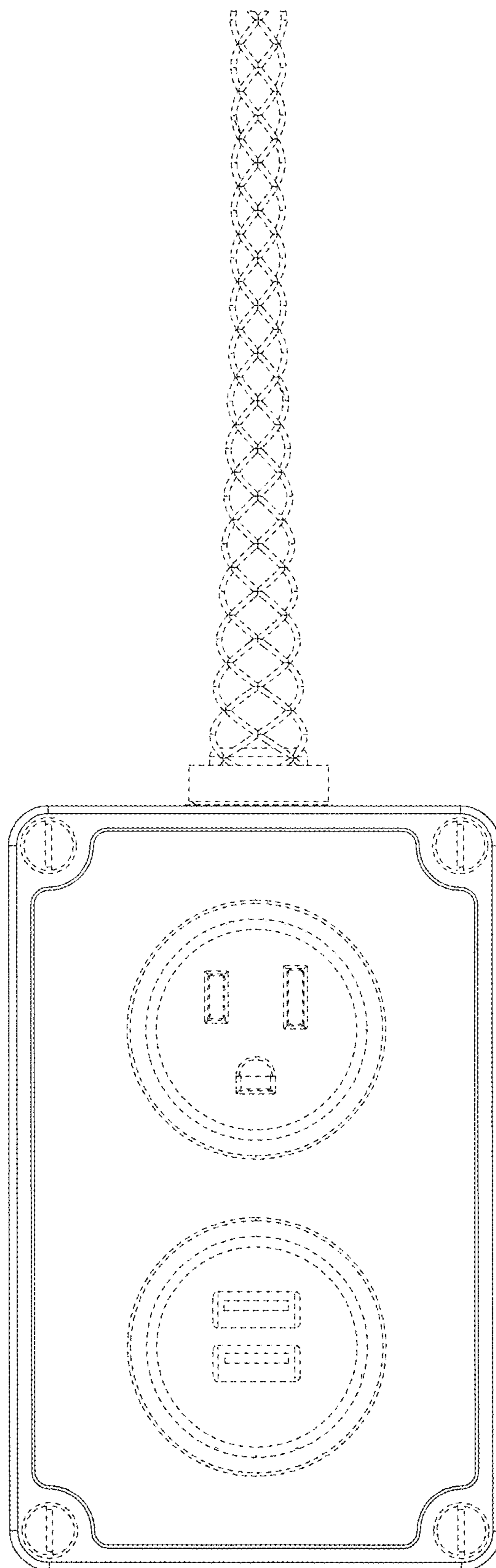


Fig. 5

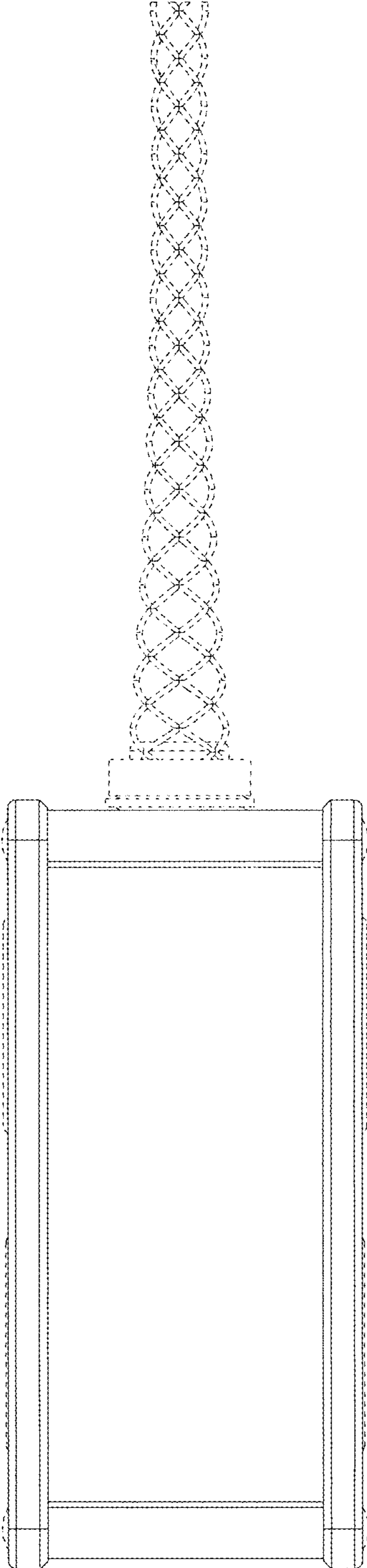


Fig. 6

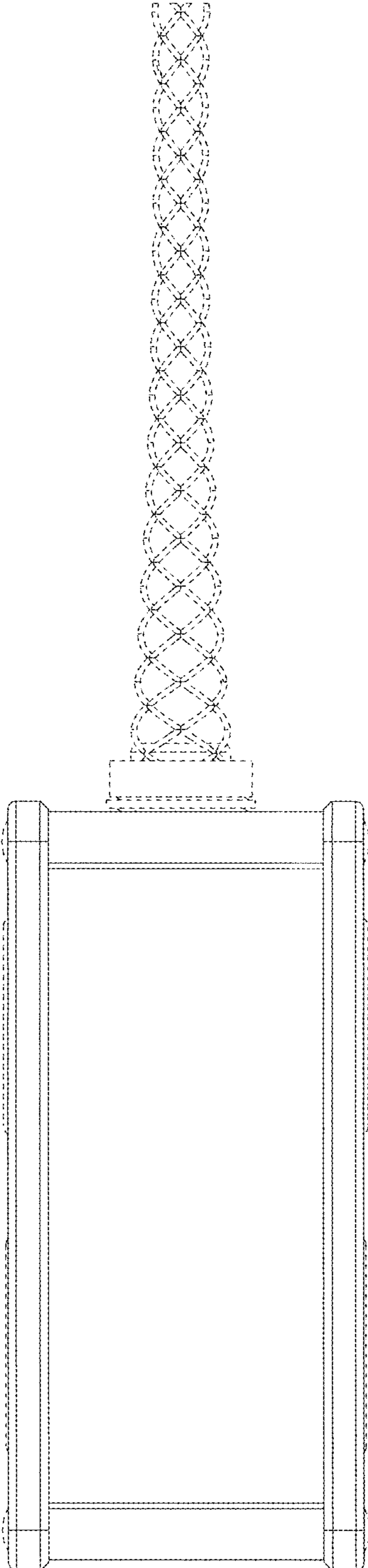


Fig. 7

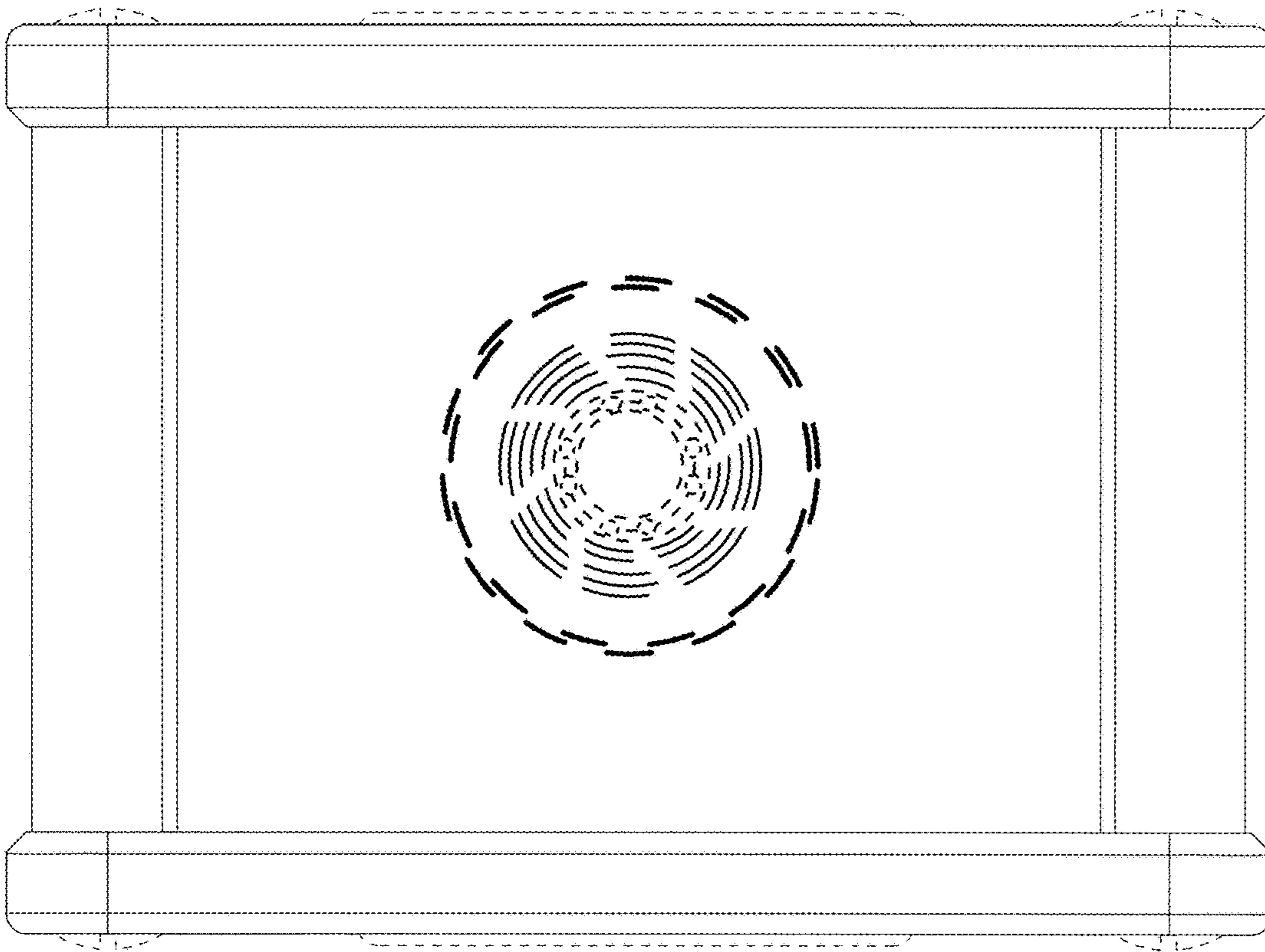


Fig. 8

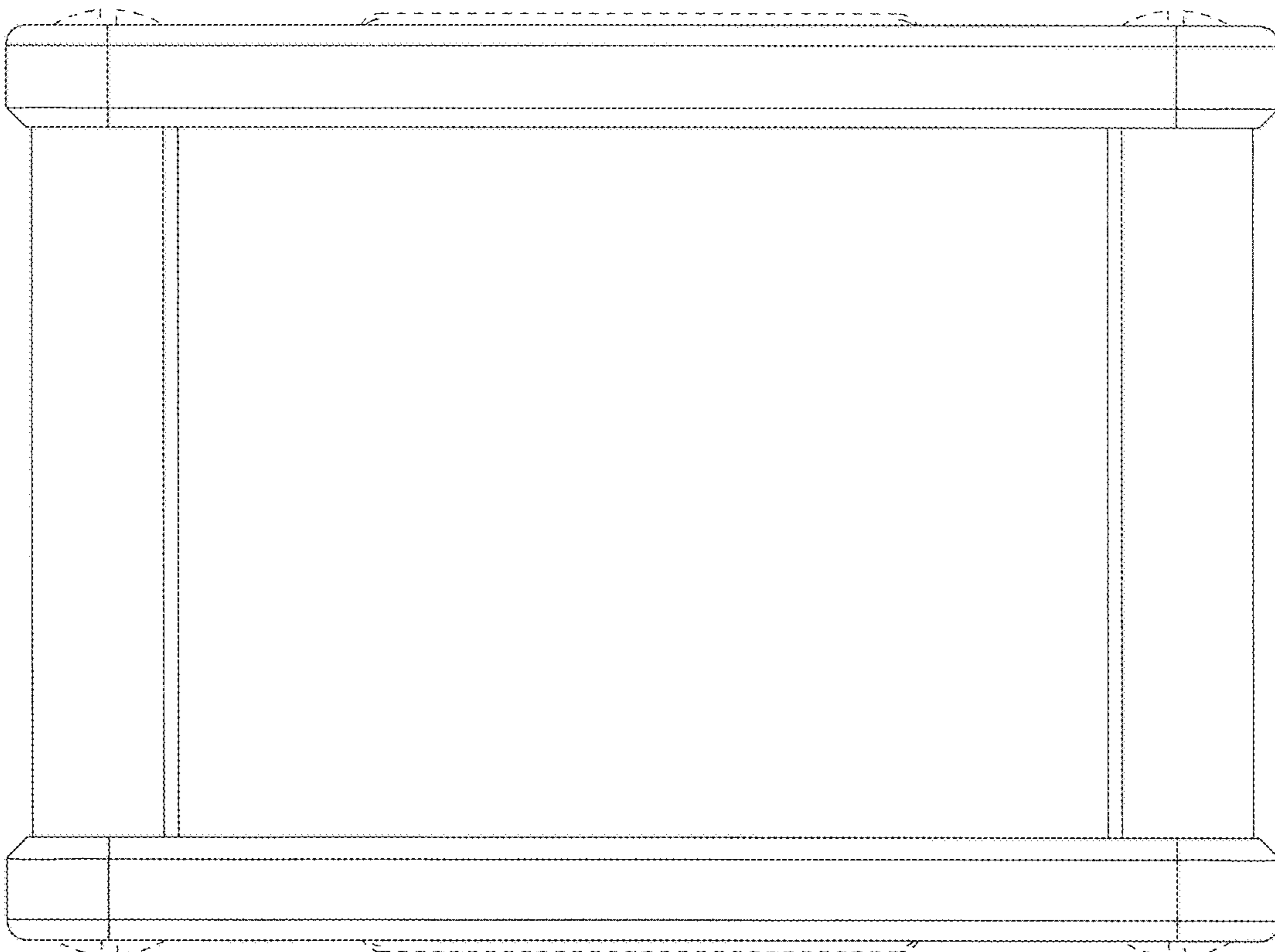


Fig. 9

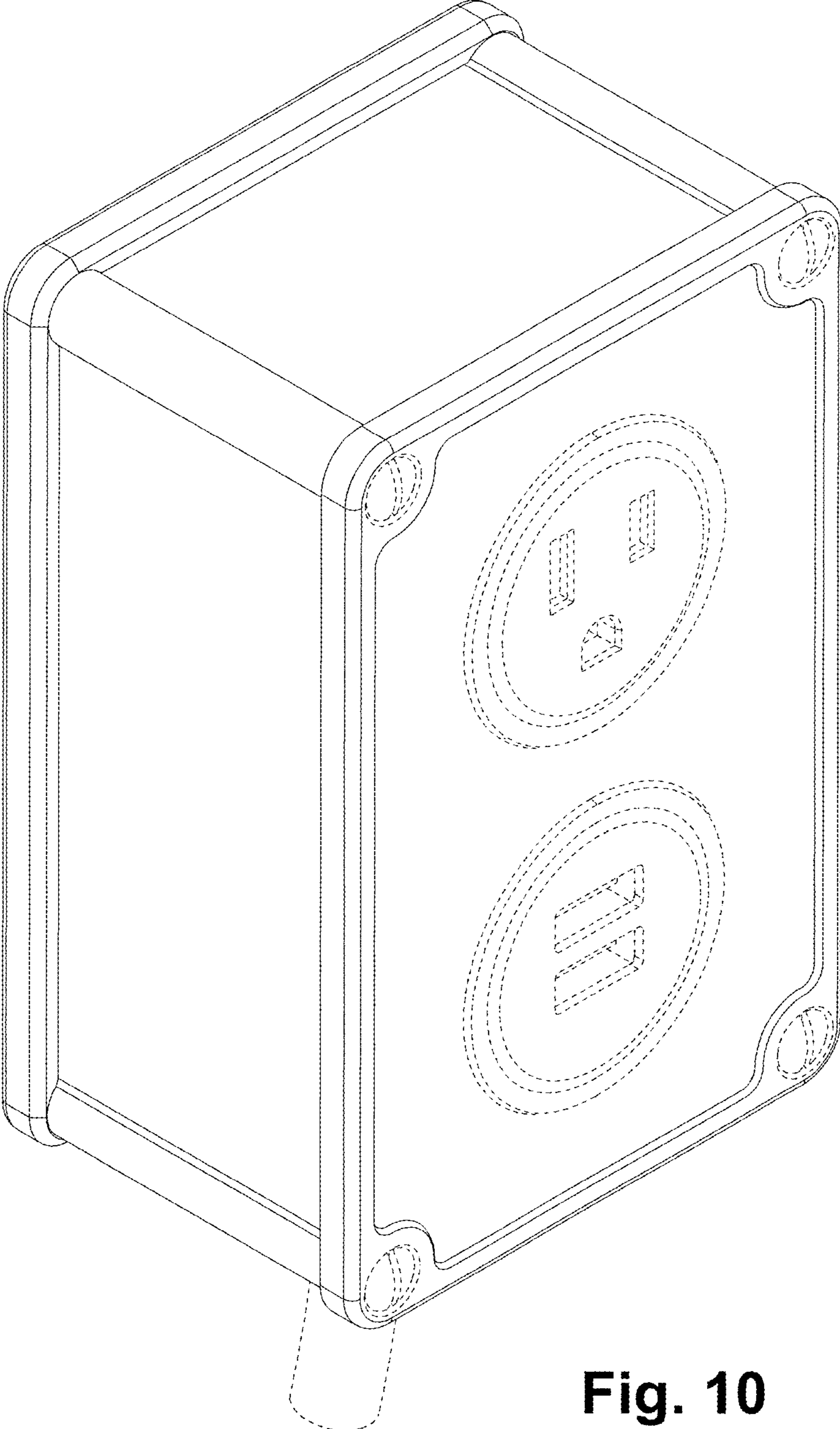


Fig. 10

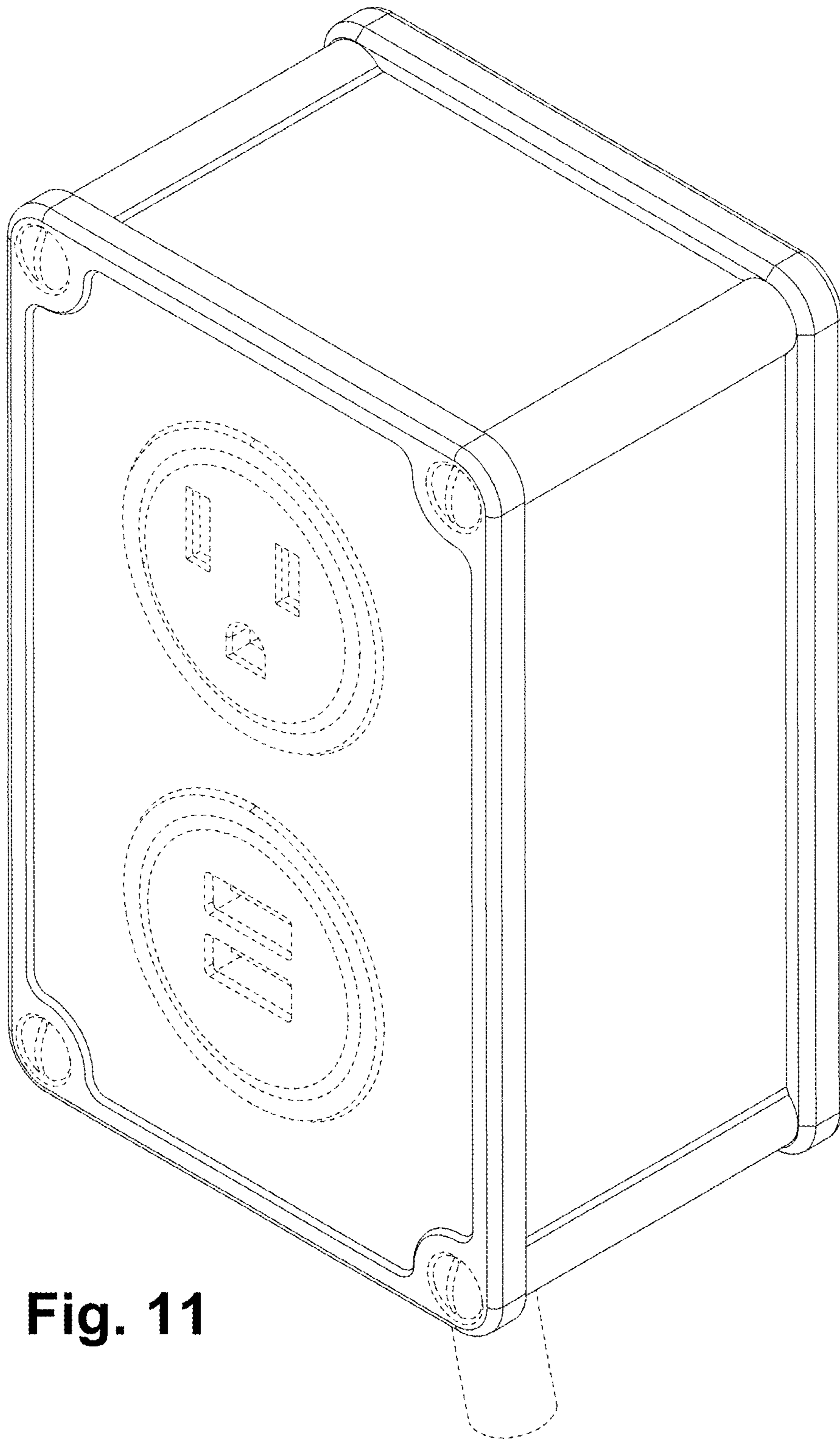


Fig. 11

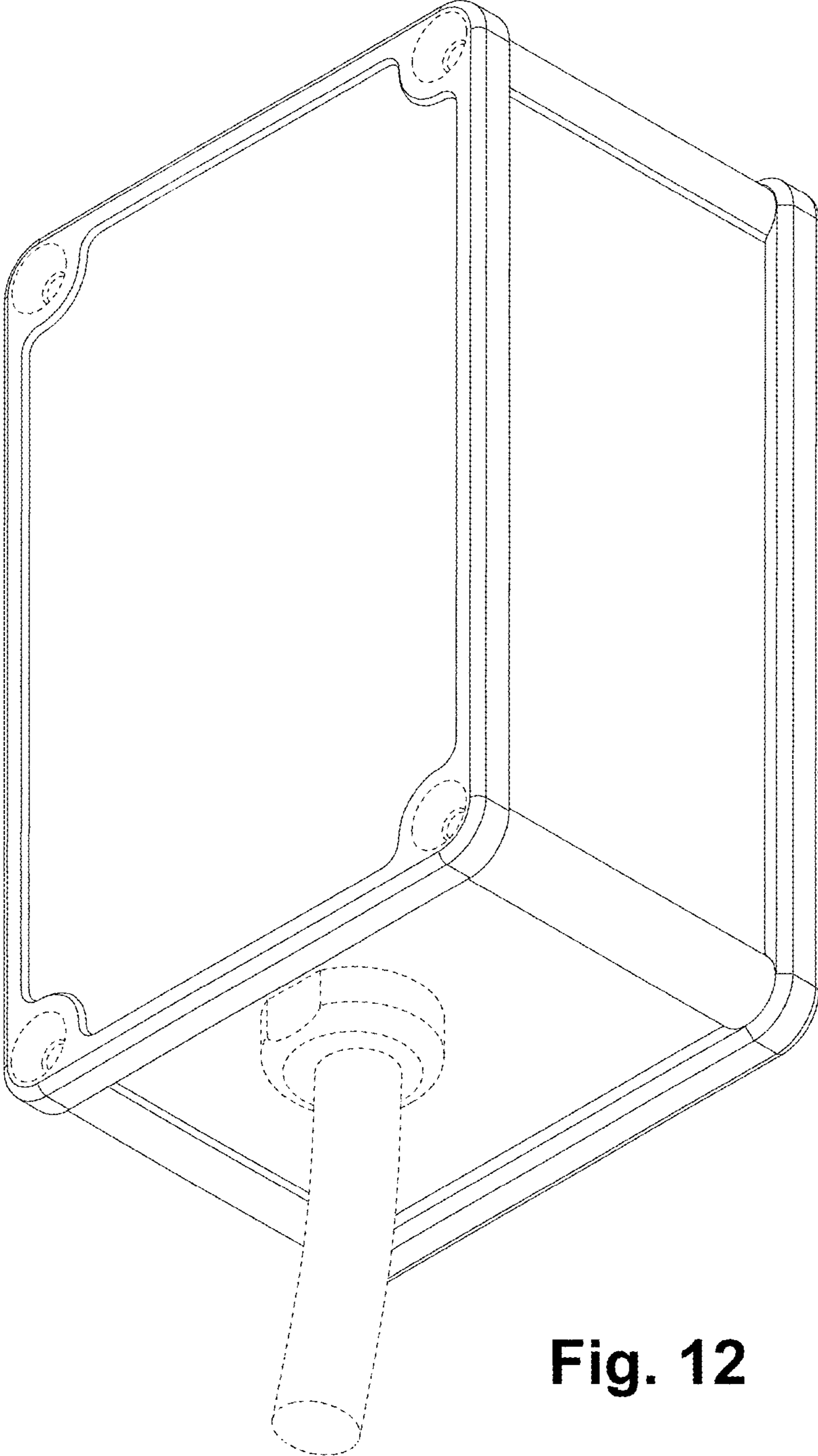


Fig. 12

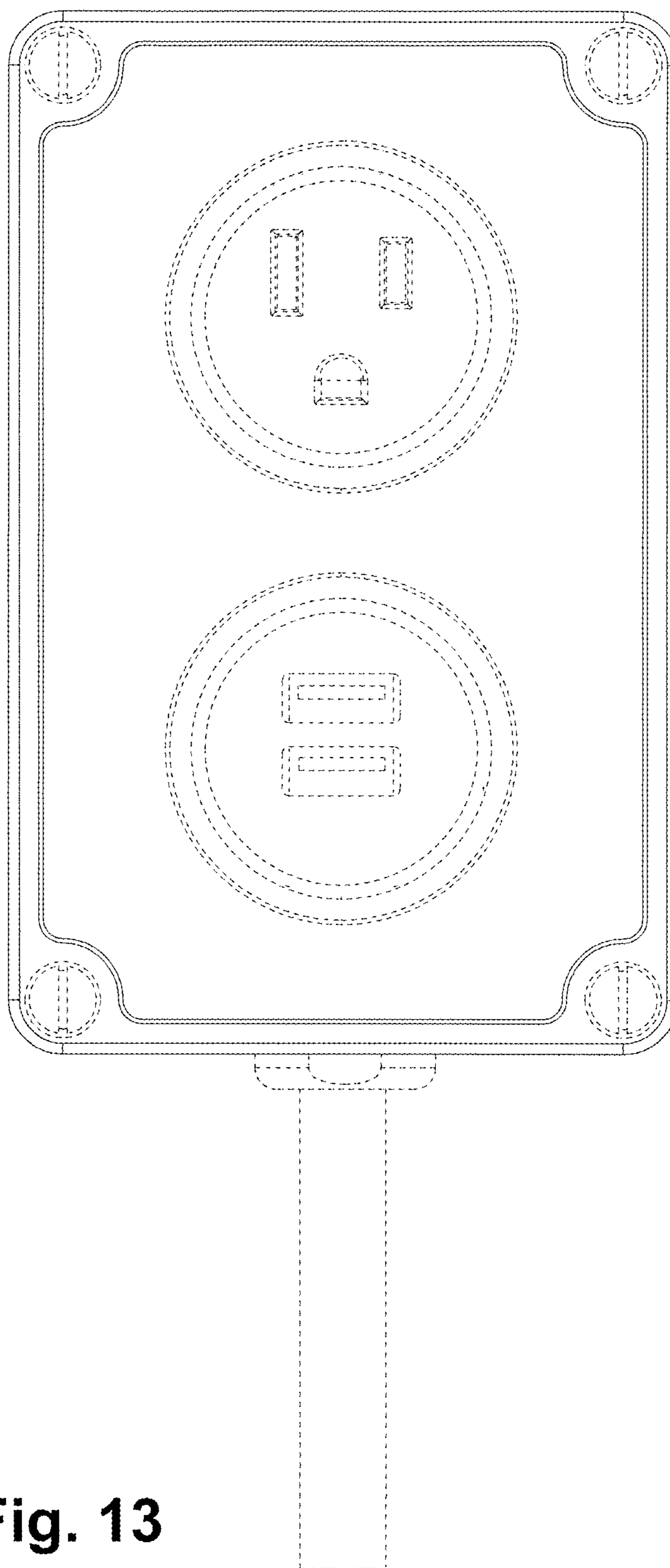


Fig. 13

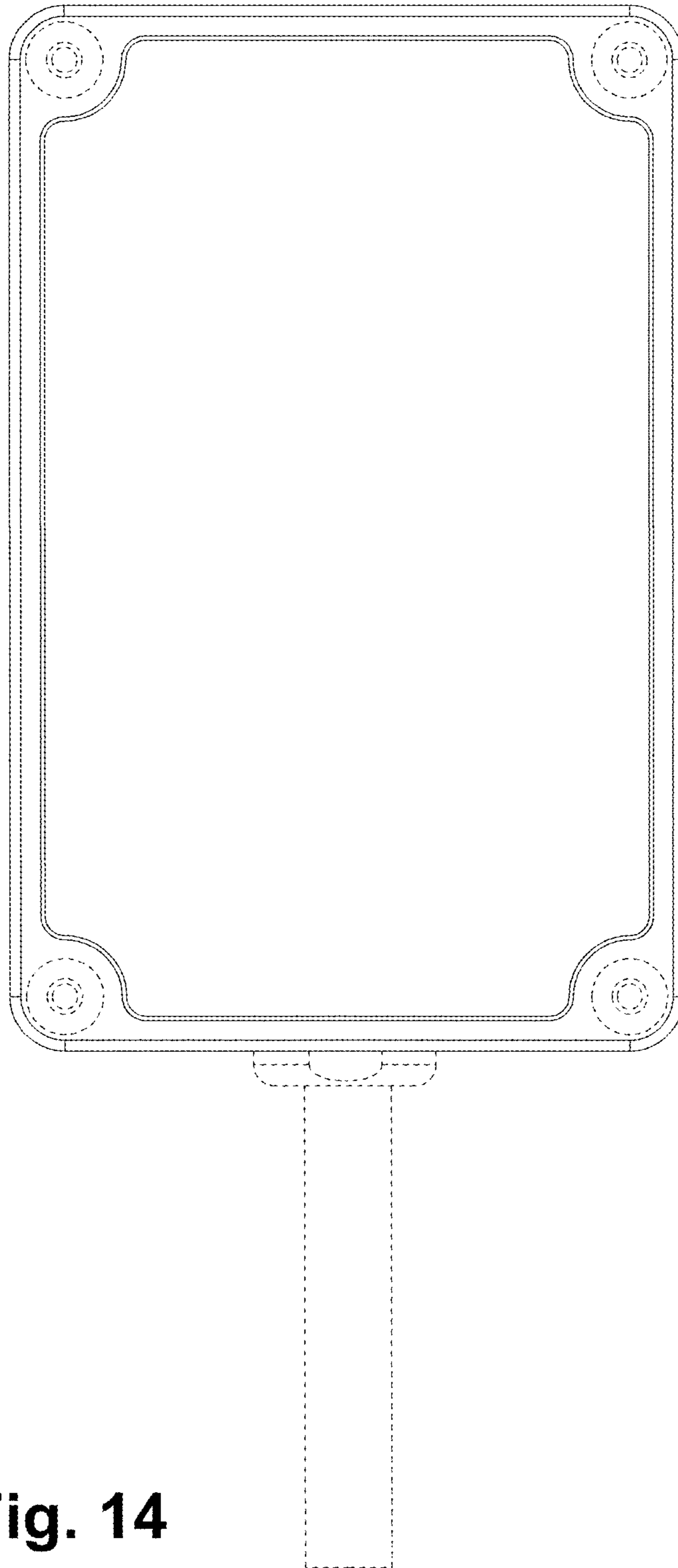


Fig. 14

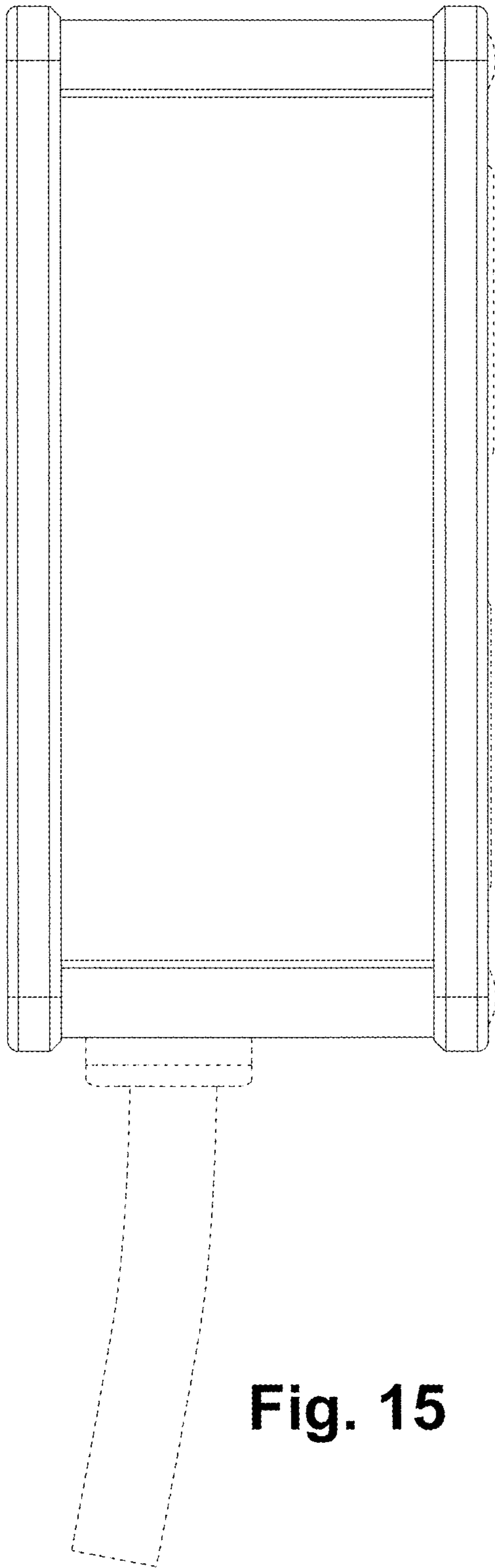


Fig. 15

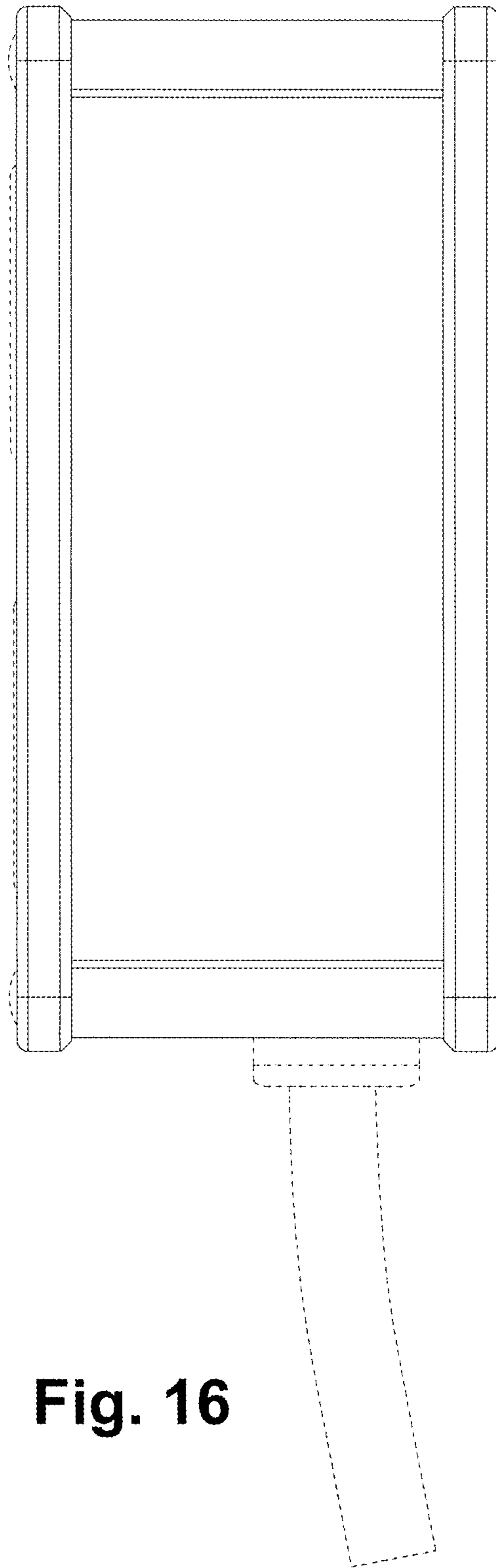


Fig. 16

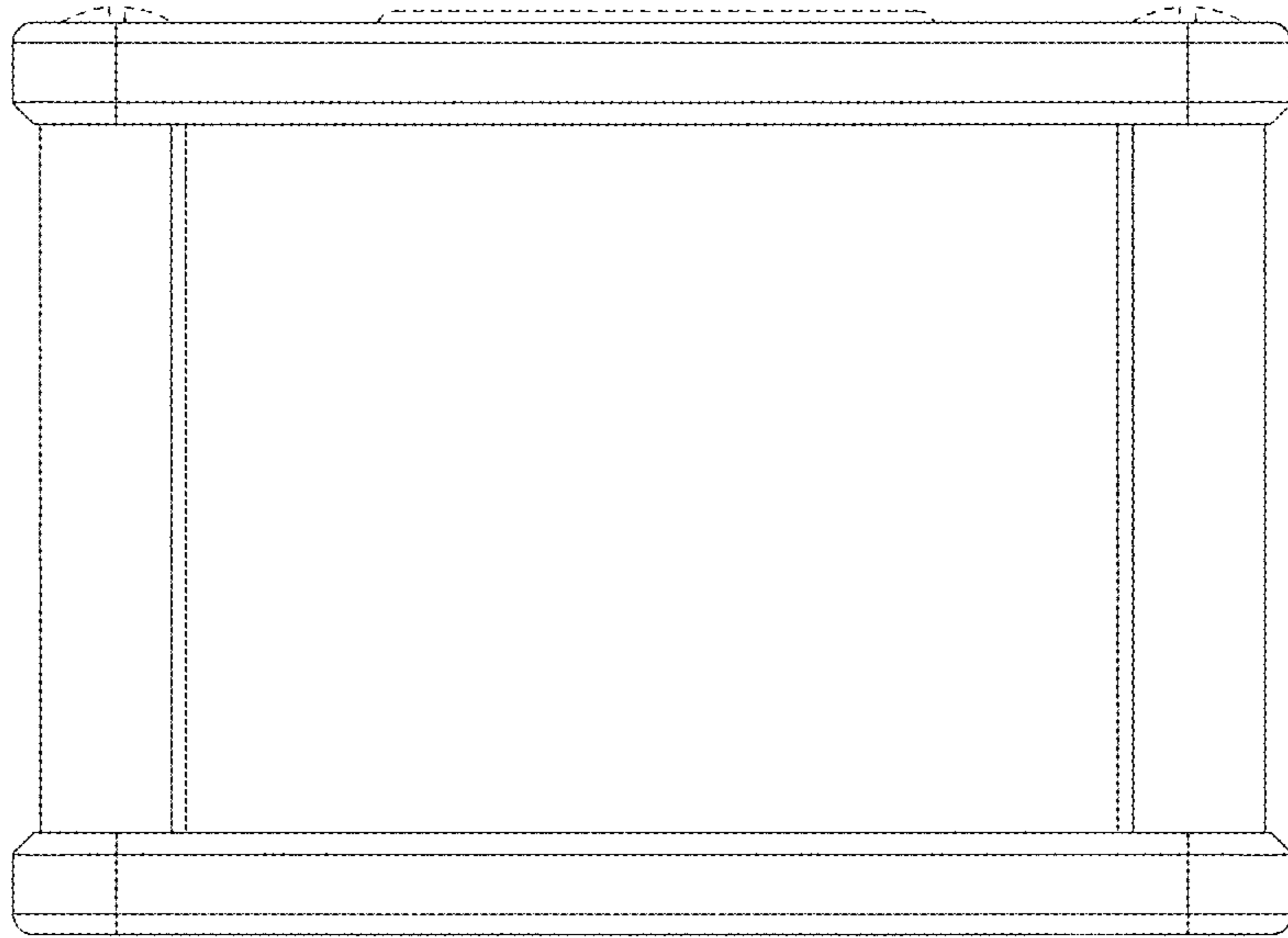


Fig. 17

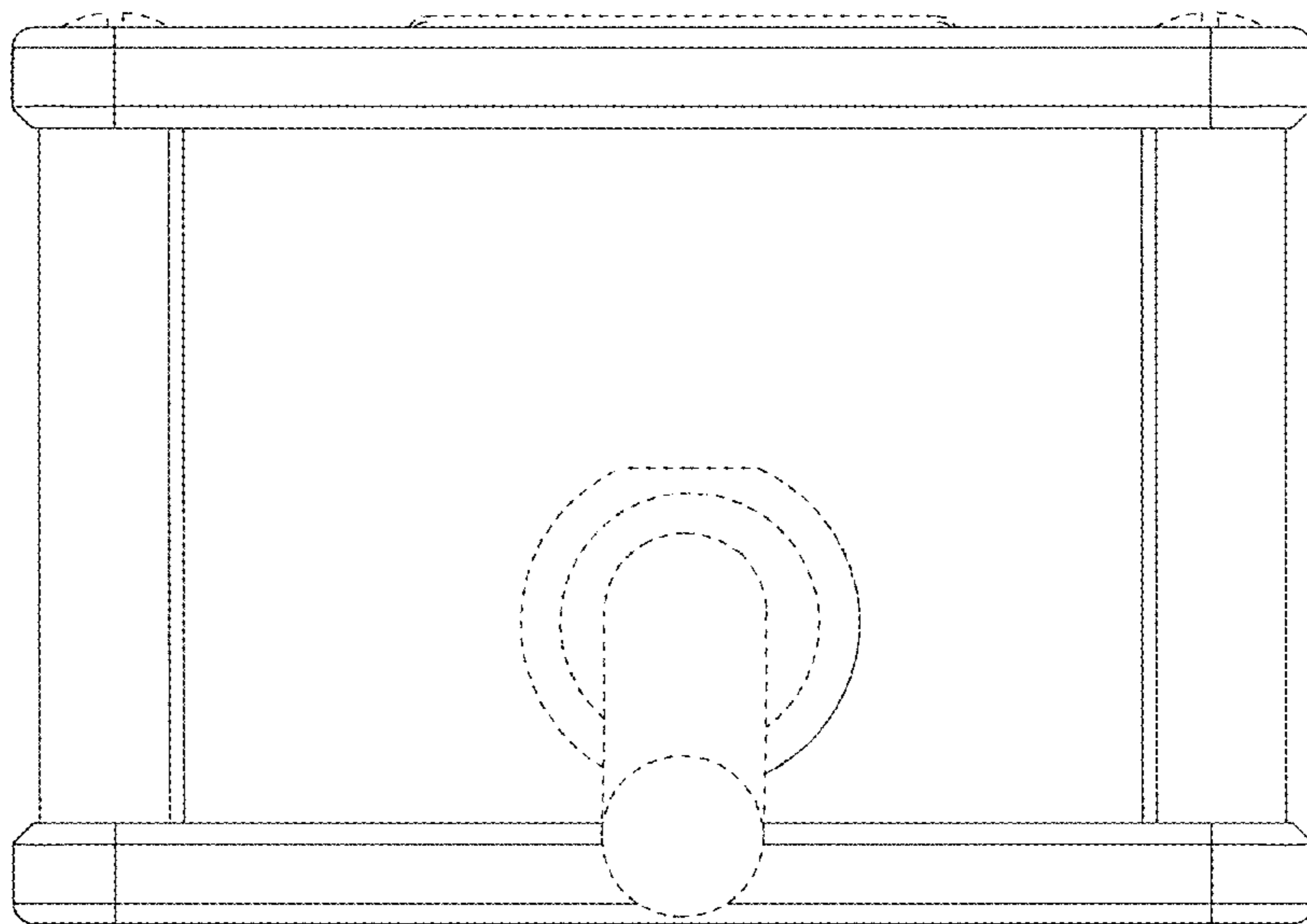


Fig. 18