

US00D948447S

(12) **United States Design Patent**
Helms

(10) **Patent No.:** **US D948,447 S**
(45) **Date of Patent:** **** Apr. 12, 2022**

(54) **DESKTOP RECEPTACLE**
(71) Applicant: **Group Dekko, Inc.**, Garrett, IN (US)
(72) Inventor: **Keith R. Helms**, Drexel, NC (US)
(73) Assignee: **Group Dekko, Inc.**, Garrett, IN (US)
(**) Term: **15 Years**
(21) Appl. No.: **29/729,375**

D820,211 S * 6/2018 Salas D13/137.2
D820,212 S * 6/2018 Stern D13/137.2
D848,948 S * 5/2019 Wei D13/137.2
D867,295 S * 11/2019 Shaopeng D13/137.2
D872,695 S * 1/2020 Bo D13/137.2

FOREIGN PATENT DOCUMENTS

CN 306401840 * 3/2021
CN 306412186 * 3/2021
CN 306412270 * 3/2021
GB 6108887 * 12/2020

(22) Filed: **Mar. 26, 2020**
(51) **LOC (13) Cl.** **13-03**
(52) **U.S. Cl.**
USPC **D13/137.3**
(58) **Field of Classification Search**
USPC ... D13/110, 133, 137.1, 137.2, 137.3, 137.4,
D13/138.1, 138.2, 139.1, 139.2, 139.3,
D13/139.4, 139.5, 139.6, 139.7, 139.8,
D13/152, 199; D14/433; D8/350, 353
CPC H01R 35/04; H01R 2103/00; H01R 31/06;
H01R 31/005; H01R 2201/06; H01R
13/665; H01R 13/7135; H01R 13/652;
H01R 13/506; H01R 13/514; H01R
13/518; H01R 13/6272; H01R 13/46;
G06F 13/4022; G06F 13/382; G06F
1/1632; G06F 1/1684; G06F 1/20; G06F
1/1607; H02G 3/088; H02J 7/00043;
H02J 7/0021; H02J 7/0026; H02J 7/0027;
H02J 7/0045
See application file for complete search history.

OTHER PUBLICATIONS

“Conference Recessed Power Strip Socket 9.8Ft Cord,Desktop Power Grommet Power Strip with 2-Outlet & 2 USB Ports” first available May 24, 2017. Amazon.com [https://www.amazon.com/Conference-Recessed-Desktop-Grommet-2-Outlet/dp/B071ZG9Q45/ref=sr_1_2?dchild=1&keywords=desktop+receptacle&%E2%80%A6] (Year: 2017).*

(Continued)

Primary Examiner — Rosemary K Tarcza
Assistant Examiner — Seth David Kumpf
(74) *Attorney, Agent, or Firm* — Taylor IP, P.C.

(57) **CLAIM**

The ornamental design for a desktop receptacle, as shown and described.

DESCRIPTION

FIG. 1 is a perspective view of a desktop receptacle showing my new design;
FIG. 2 is a front view thereof;
FIG. 3 is a rear view thereof;
FIG. 4 is a top view thereof; and,
FIG. 5 is a side view thereof.

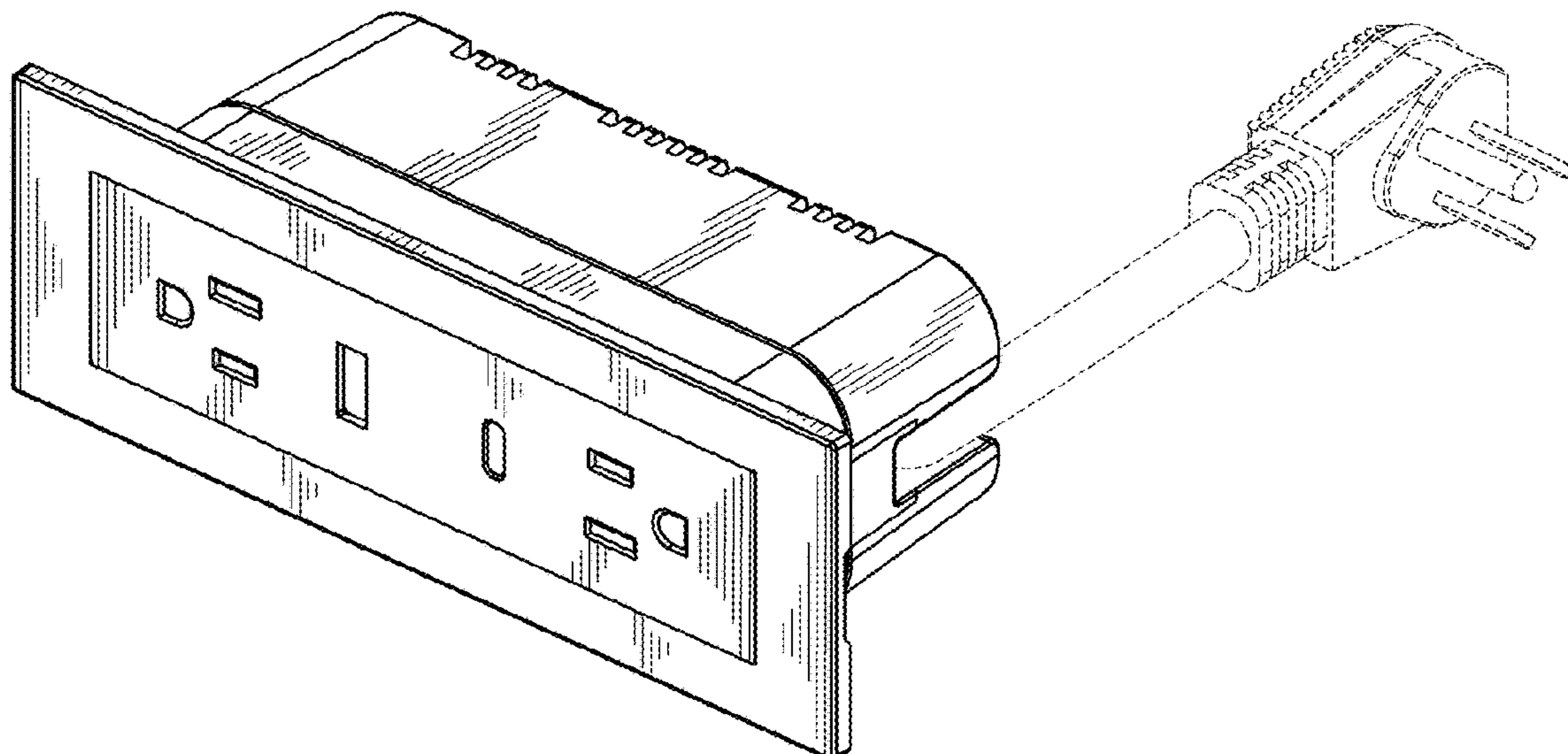
In the drawings, the broken lines represent portions of the desktop receptacle that form no part of the claimed design.

1 Claim, 3 Drawing Sheets

(56) **References Cited**

U.S. PATENT DOCUMENTS

D744,951 S * 12/2015 Oosterman D13/139.1
D755,128 S * 5/2016 Page D13/139.4
D755,129 S * 5/2016 Page D13/139.4
D811,337 S * 2/2018 Byrne D13/137.2
D814,420 S * 4/2018 Chen D13/137.2
D816,037 S * 4/2018 Byrne D13/137.2



(56)

References Cited

OTHER PUBLICATIONS

“Power Strip, Superdanny USB Surge Protector Power Strip, Mountable Extension Cord Multiple Protection 5 Outlets 3 USB Ports with Hook & Loop Fastener for iPhone iPad PC Home Office Dorm Travel, Black”, first available Aug. 31, 2018. Amazon.com [https://www.amazon.com/Fire-Proof-Mountable-SUPERDANNY-Protection-Extension/dp/B07GZNVHT4/ref=sr_1_15?dchild=1&keywords=power%2Bstri%E2%80%A6&th=1] (Year: 2018).*

“Coby USB Wall Outlet Dual High Speed 6.0 Amp USB Ports with Smart Chip, USB Type C Port, 15A Duplex Tamper Resistant Receptacle Electrical Outlet, Pack of 2”, first available Oct. 27, 2020. Amazon.com [https://www.amazon.com/Coby-Charger-Resistant-Receptacle-Electrical/dp/B08MTDDFBX/ref=sr_1_24?dchild=1&keywords=electrical%2Breceptacle&qi%E2%80%A6=undefined&th=1] (Year: 2020).*

* cited by examiner

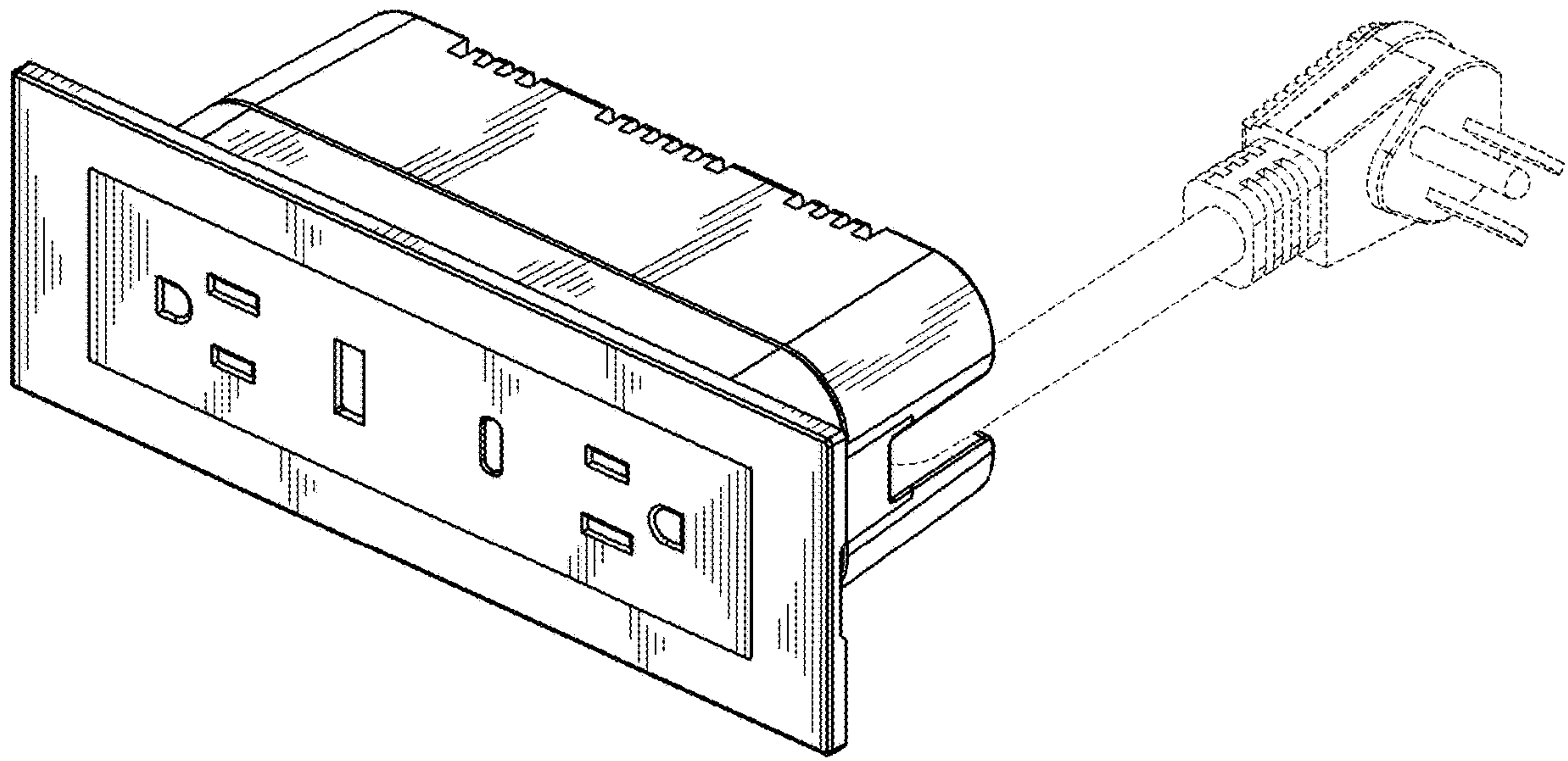


FIG. 1

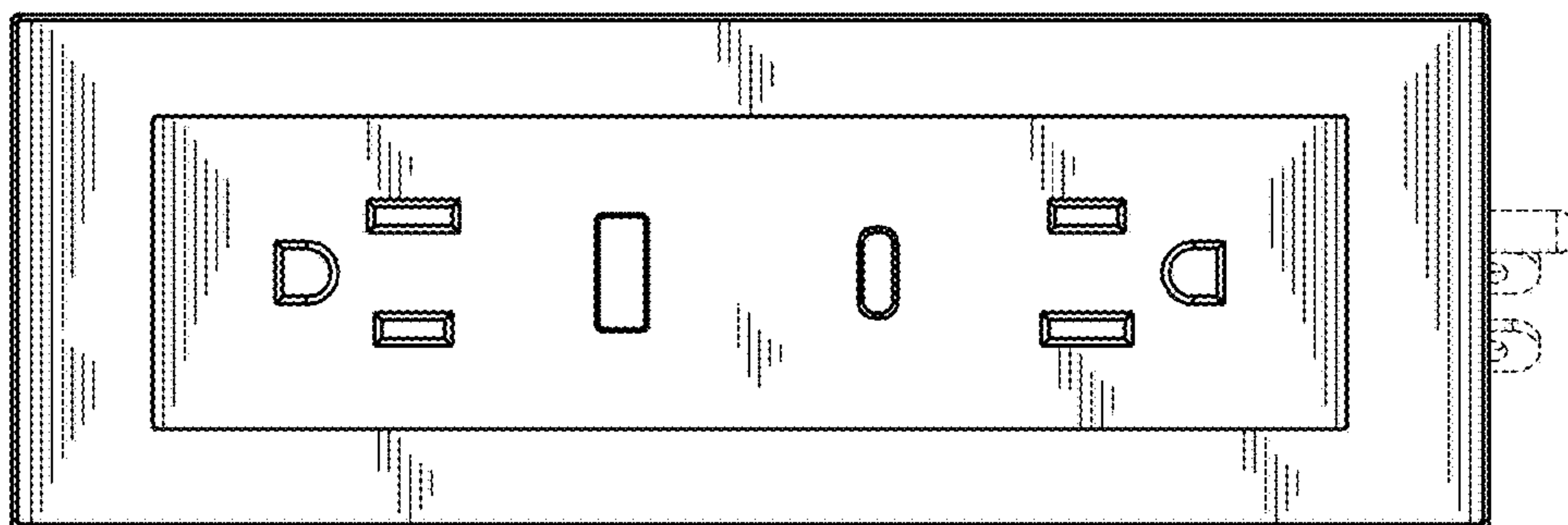


FIG. 2

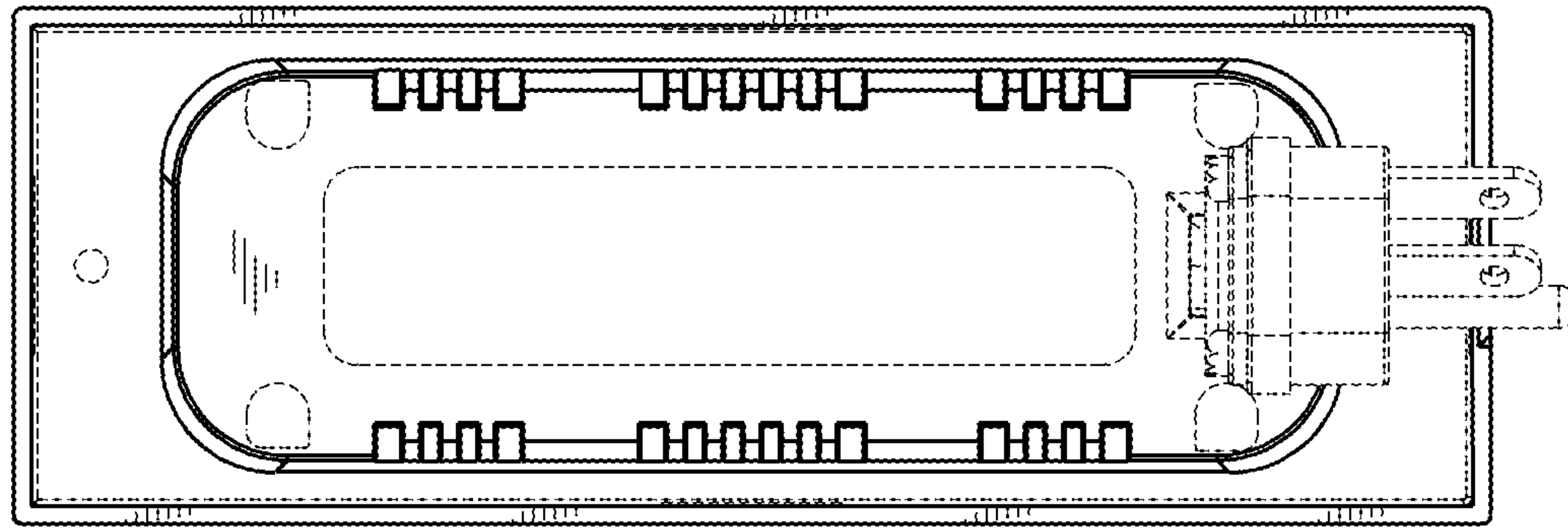


FIG. 3

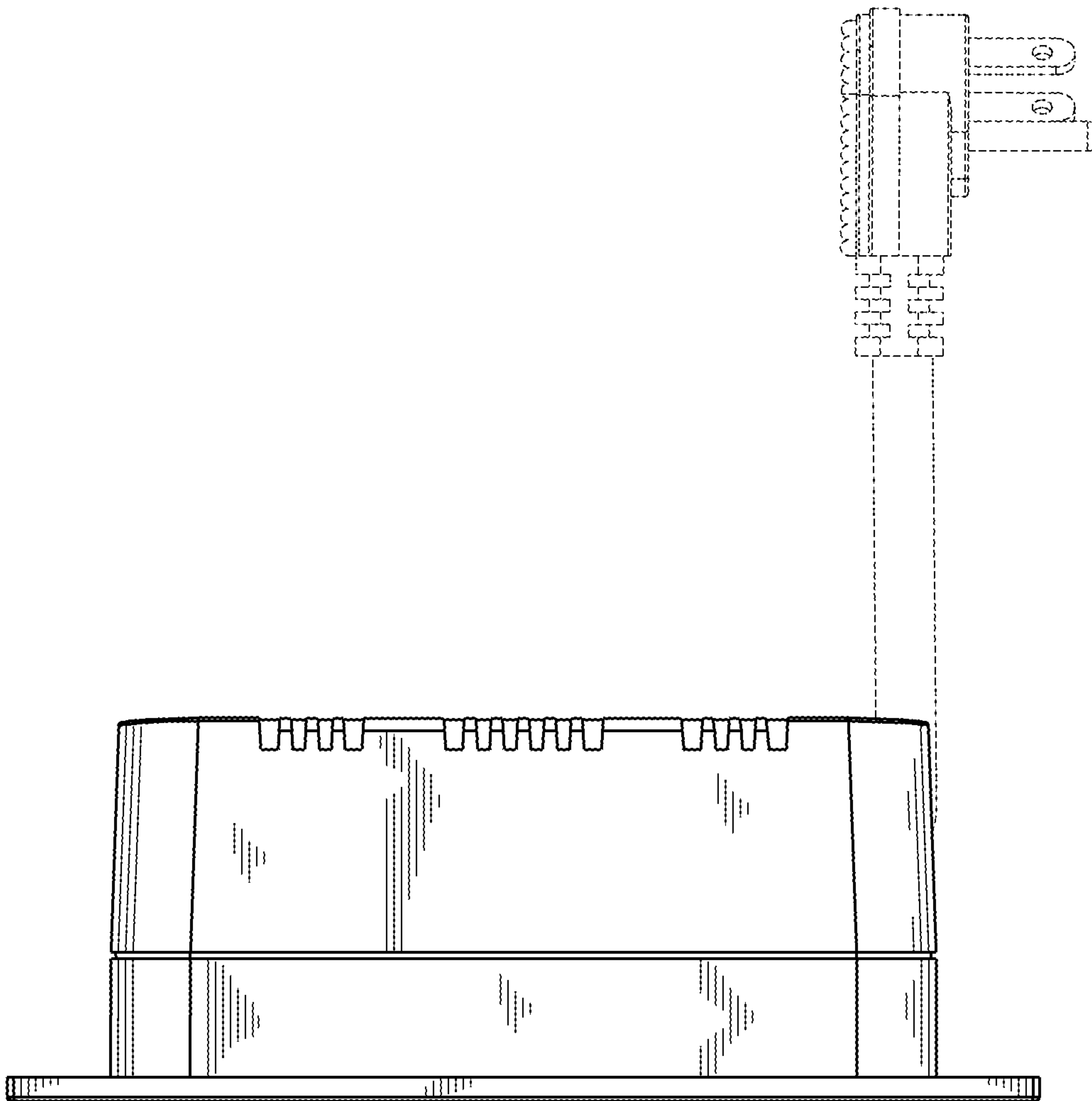


FIG. 4

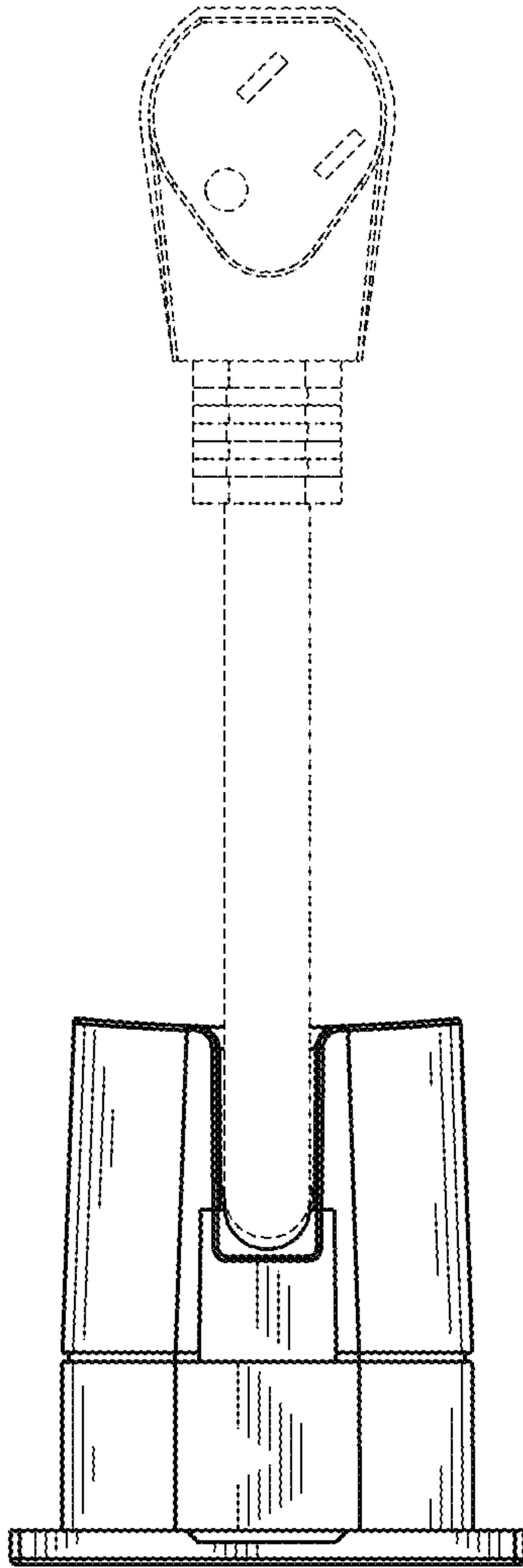


FIG. 5