



US00D948444S

(12) **United States Design Patent**
Zhou

(10) **Patent No.:** **US D948,444 S**
(45) **Date of Patent:** **** Apr. 12, 2022**

(54) **ELECTRICAL EXTENSION CORD**

FOREIGN PATENT DOCUMENTS

(71) Applicant: **SHENZHEN XUXINGCHUANGCHEN TECHNOLOGY LIMITED COMPANY**, Shenzhen (CN)

CN 305595152 * 2/2020
CN 306321189 * 2/2021

(Continued)

(72) Inventor: **Xiaoxia Zhou**, Baoding (CN)

OTHER PUBLICATIONS

(73) Assignee: **SHENZHEN XUXINGCHUANGCHEN TECHNOLOGY LIMITED COMPANY**, Shenzhen (CN)

“Multi Plug Outlet Extender with USB, TESSAN Surge Protector Outlet Splitter with 3 USB Wall Charger, Multiple Plug Expander for Travel, Home, Office”, first available Apr. 17, 2021. Amazon.com [https://www.amazon.com/Extender-TESSAN-Protector-Splitter-Multiple/dp/B092QT9KSM] (Year: 2021).*

(Continued)

(**) Term: **15 Years**

(21) Appl. No.: **29/734,354**

Primary Examiner — Rosemary K Tarcza

(22) Filed: **May 12, 2020**

Assistant Examiner — Seth David Kumpf

(30) **Foreign Application Priority Data**

(74) *Attorney, Agent, or Firm* — L & Cai Intellectual Property (USA) Office

Jan. 13, 2020 (CN) 202030021757.5

(51) **LOC (13) Cl.** **13-03**

(57) **CLAIM**

(52) **U.S. Cl.**

USPC **D13/137.2**

The ornamental design for an electrical extension cord, as shown and described.

(58) **Field of Classification Search**

USPC D13/137.1, 137.2, 137.3, 137.4, 138.1, D13/138.2, 139.1, 139.2, 139.7, 139.8, D13/184, 103, 107, 199, 108, 110, 119, D13/123, 133, 139.3, 139.5, 139.6, 152, D13/145, 153, 154, 156, 158, 160, 162, D13/177; D14/433, 434

CPC H01R 13/00; H01R 13/04; H01R 13/10; H01R 13/665; H01R 13/6666; H01R 13/6676; H01R 13/7135; H01R 25/00; H01R 25/006; H01R 9/00; H01R 11/00;

(Continued)

DESCRIPTION

FIG. 1 is a rear, bottom, and left side perspective view of an electrical extension cord showing my new design; FIG. 2 is a front elevational view thereof; FIG. 3 is a rear elevational view thereof; FIG. 4 is a left side elevational view thereof; FIG. 5 is a right side elevational view thereof; FIG. 6 is a top plan view thereof; and, FIG. 7 is a bottom plan view thereof.

The broken lines in the drawing depict portions of the electrical extension cord that form no part of the claimed design.

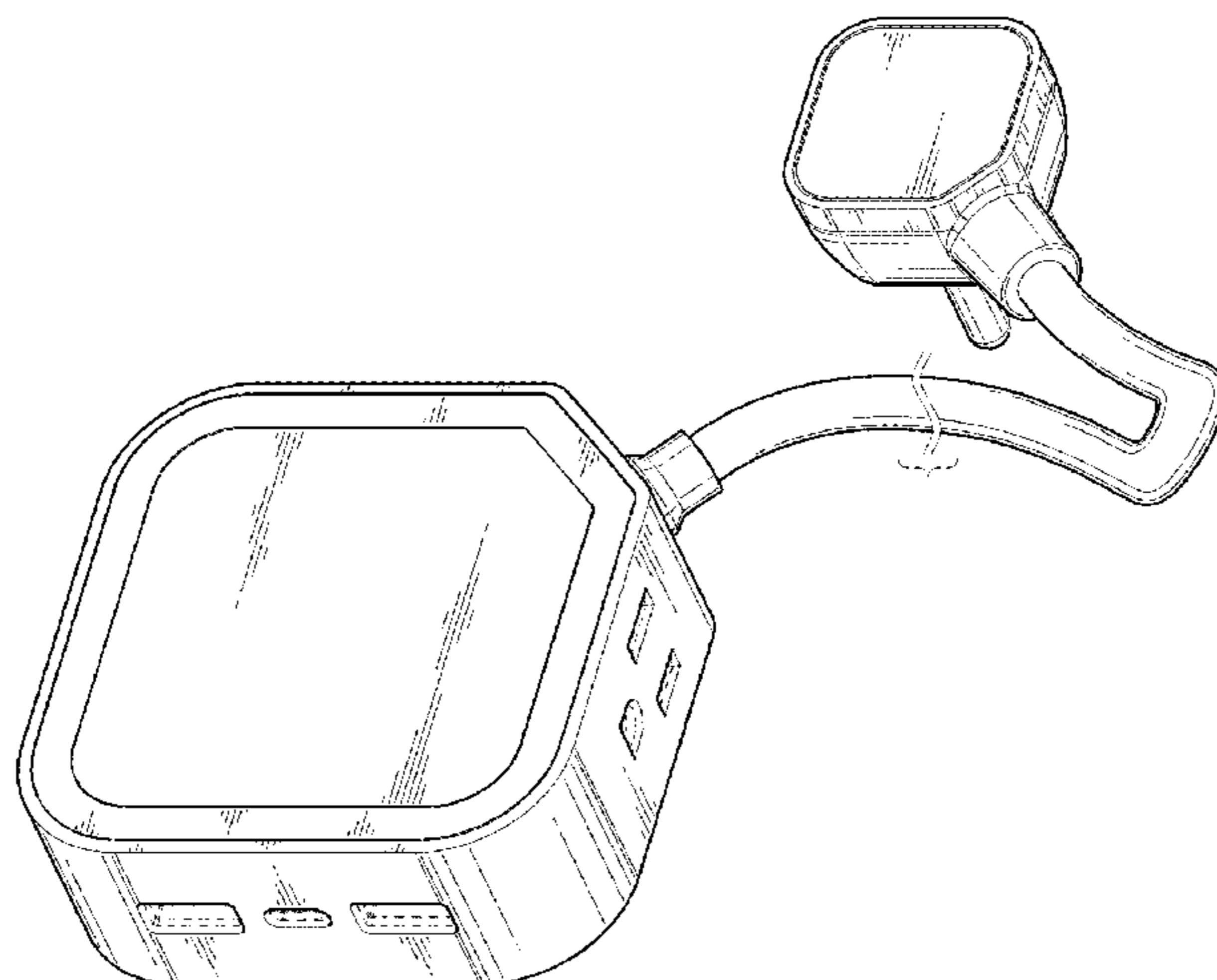
(56) **References Cited**

U.S. PATENT DOCUMENTS

D472,520 S * 4/2003 Genicevitch D13/137.2
D738,301 S * 9/2015 Symons D13/107

(Continued)

1 Claim, 6 Drawing Sheets



(58) **Field of Classification Search**

CPC H02H 3/33; H02H 3/162; H01H 2207/00;
 H01H 2207/022; H01H 2203/00; H05K
 5/00; H05K 5/03

See application file for complete search history.

FOREIGN PATENT DOCUMENTS

GB	6090783	*	5/2020
GB	6097887	*	8/2020
GB	6097888	*	8/2020
GB	6115167	*	1/2021

OTHER PUBLICATIONS

(56) **References Cited**

U.S. PATENT DOCUMENTS

D871,344 S	*	12/2019	Lyu	D13/139.8
D878,299 S	*	3/2020	Lyu	D13/139.8
D878,300 S	*	3/2020	Lyu	D13/139.8
D879,034 S	*	3/2020	Wu	D13/108
D879,720 S	*	3/2020	Gao	D13/137.3
D885,345 S	*	5/2020	Chen	D13/139.8
D899,364 S	*	10/2020	Zhang	D13/110
D900,749 S	*	11/2020	Bao	D13/137.2
D901,378 S	*	11/2020	Hung	D13/108
2020/0076113 A1	*	3/2020	Xu	H01R 27/02

“Power Strip with 3 USB Ports, TESSAN 5 ft Extension Cord Flat Plug with 4 Outlets, Overload Protection Indoor Desk Charging Station, Mountable Compact for Travel, Cruise Ship, and Dorm Essentials”, first available Oct. 30, 2019. Amazon.com [<https://www.amazon.com/TESSAN-Mountable-Extension-Outlets-Lightweight/dp/B07ZRDGF6Y>] (Year: 2019).*

“2 Pack Lightning Protector Power Belt—4 Large Sockets, 4 USB Charging Ports, 2 Side Outlets to Extend 5 Feet Braided Extension Cord, Flat Plug, Wall Mount, Desk USB Charging Station”, first available Sep. 2, 2021. Amazon.com [<https://www.amazon.com/Lightning-Protector-Sockets-Charging-Extension/ddp/B09F9WVFG>] (Year: 2021).*

* cited by examiner

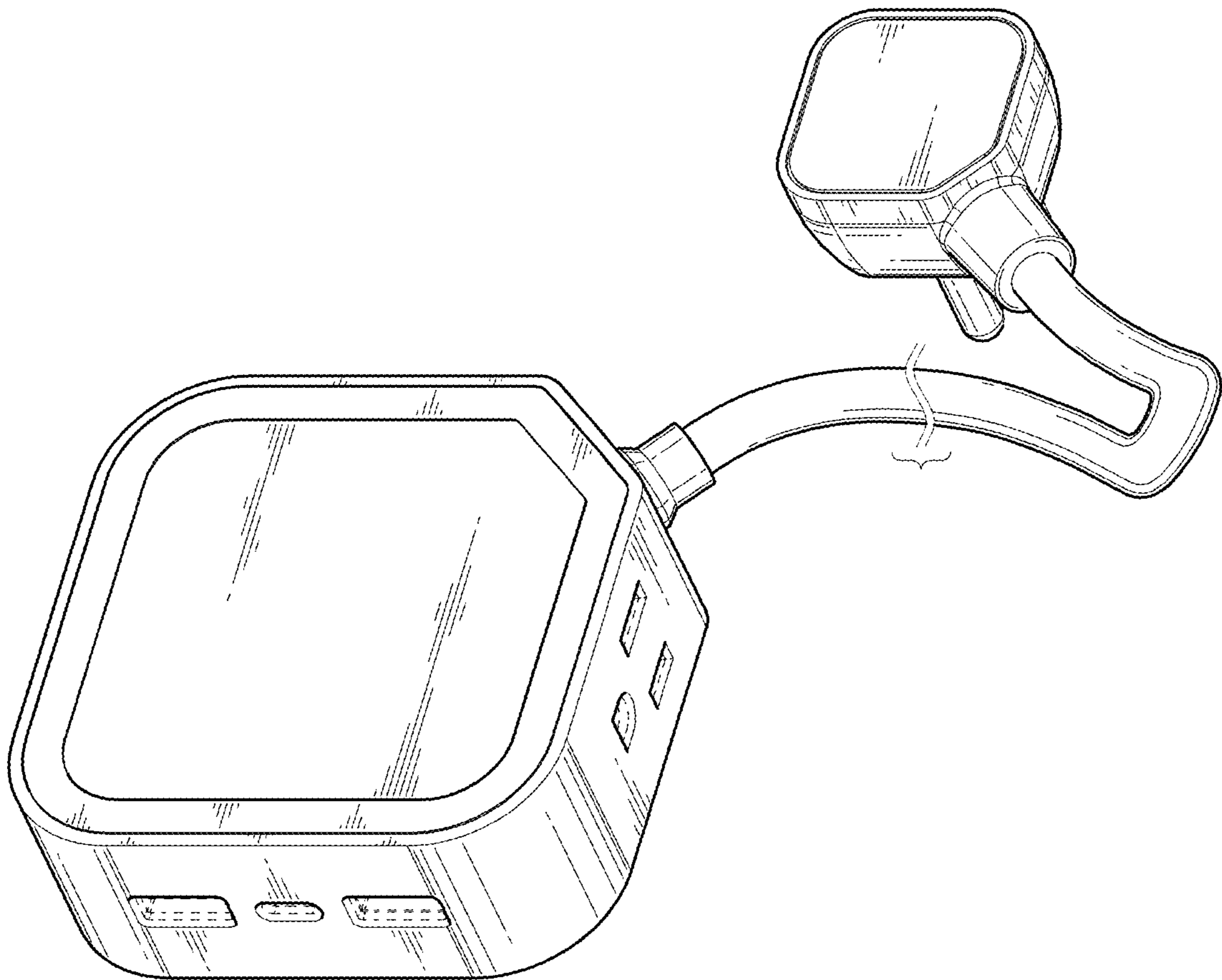


FIG. 1

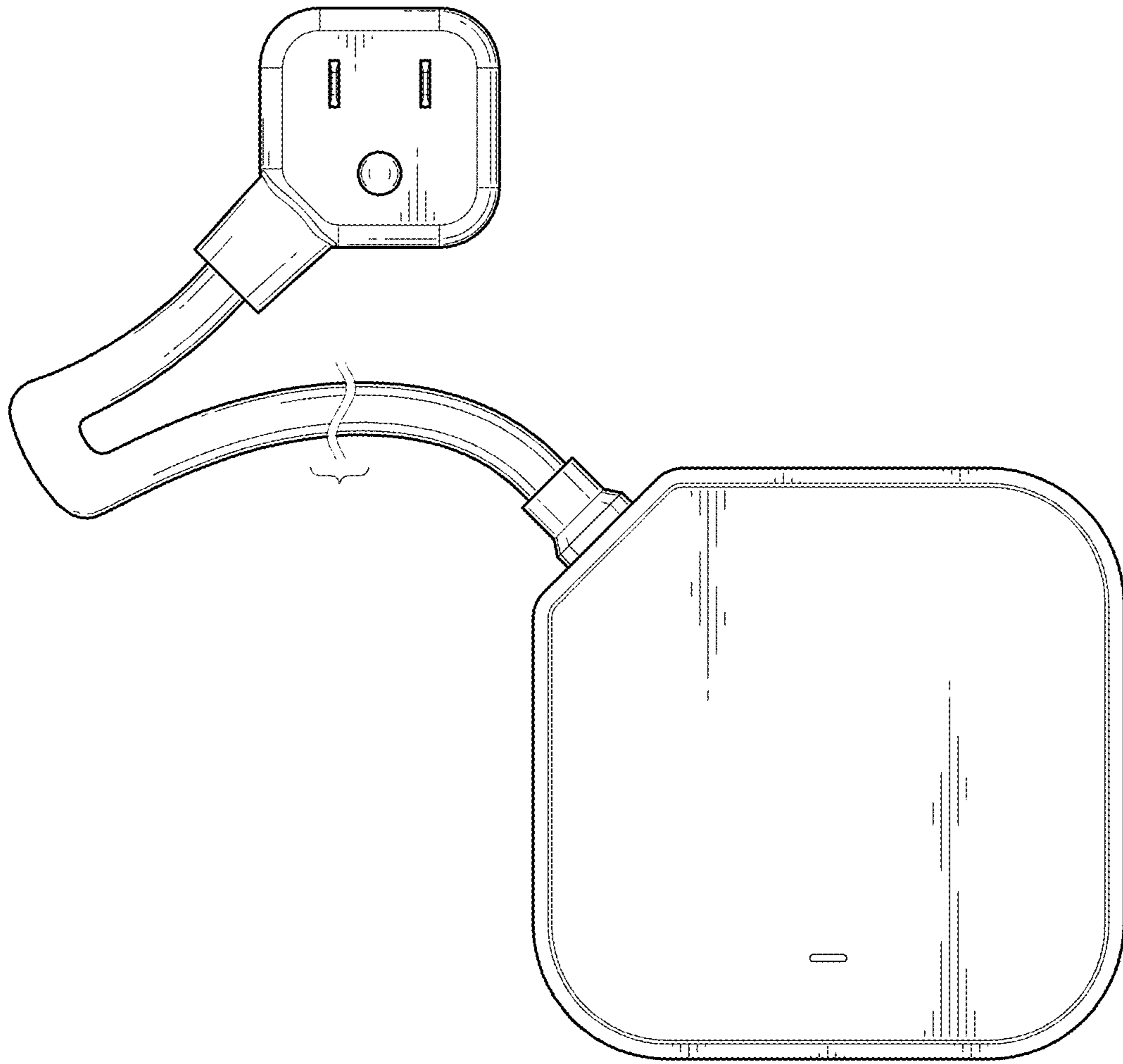


FIG. 2

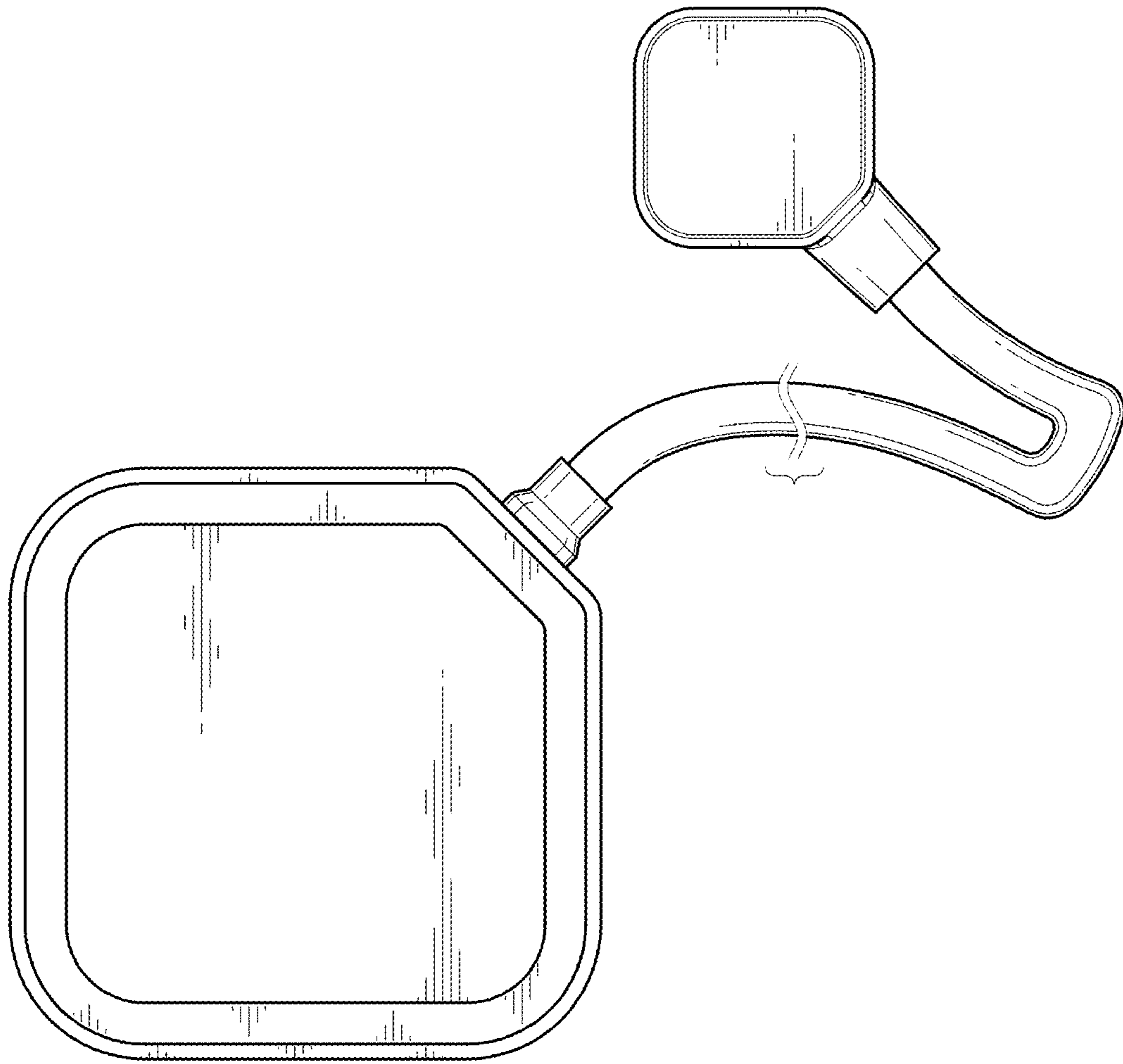


FIG. 3

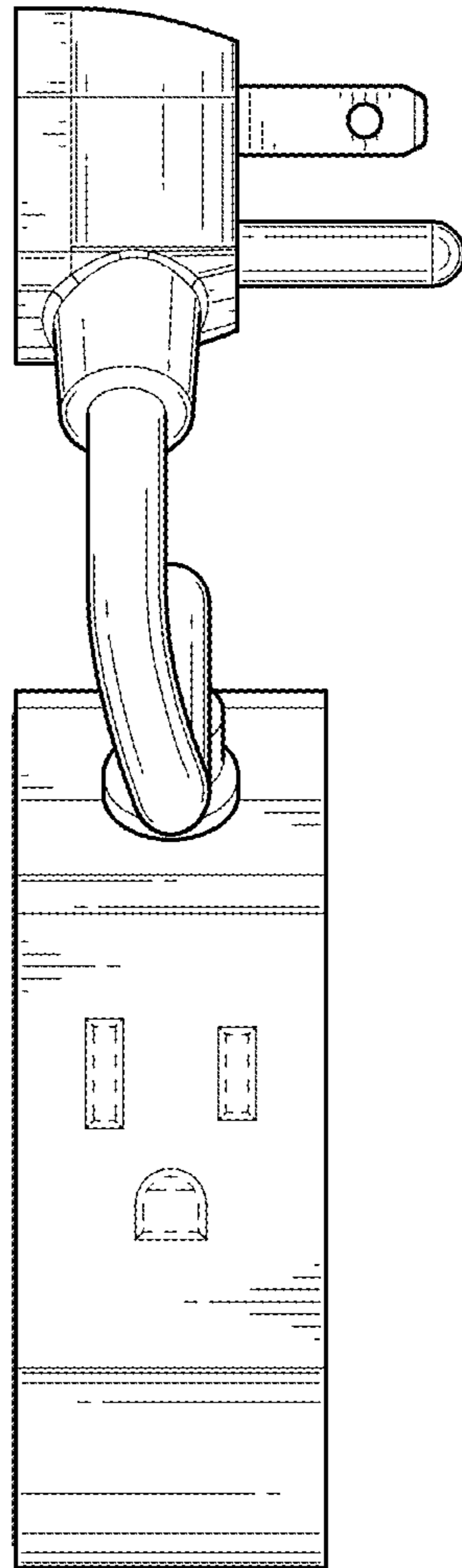


FIG. 4

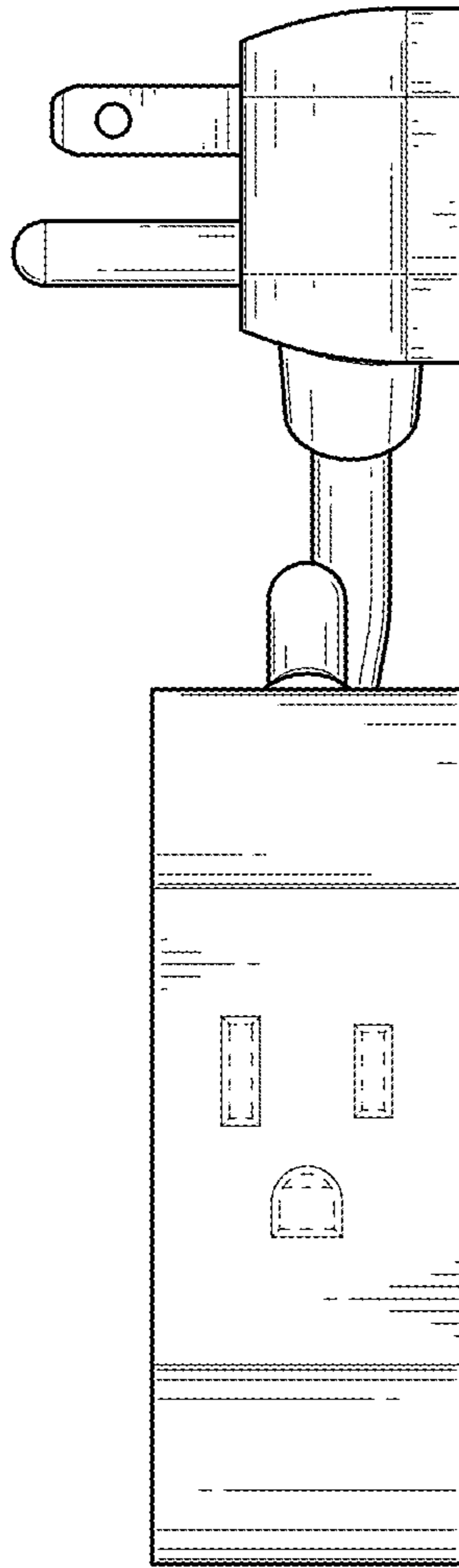


FIG. 5

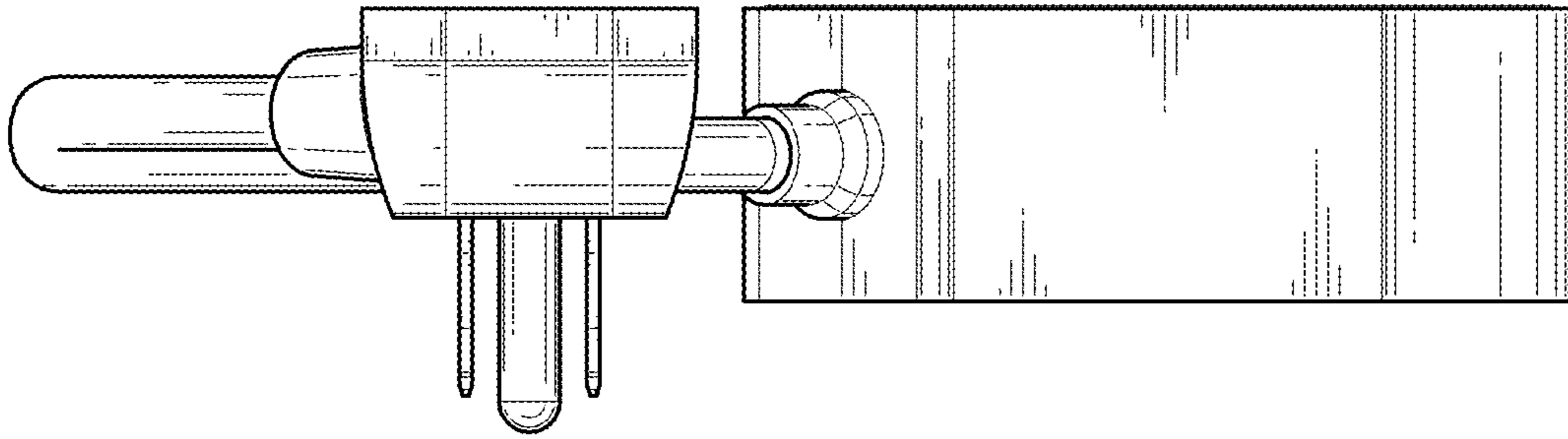


FIG. 6

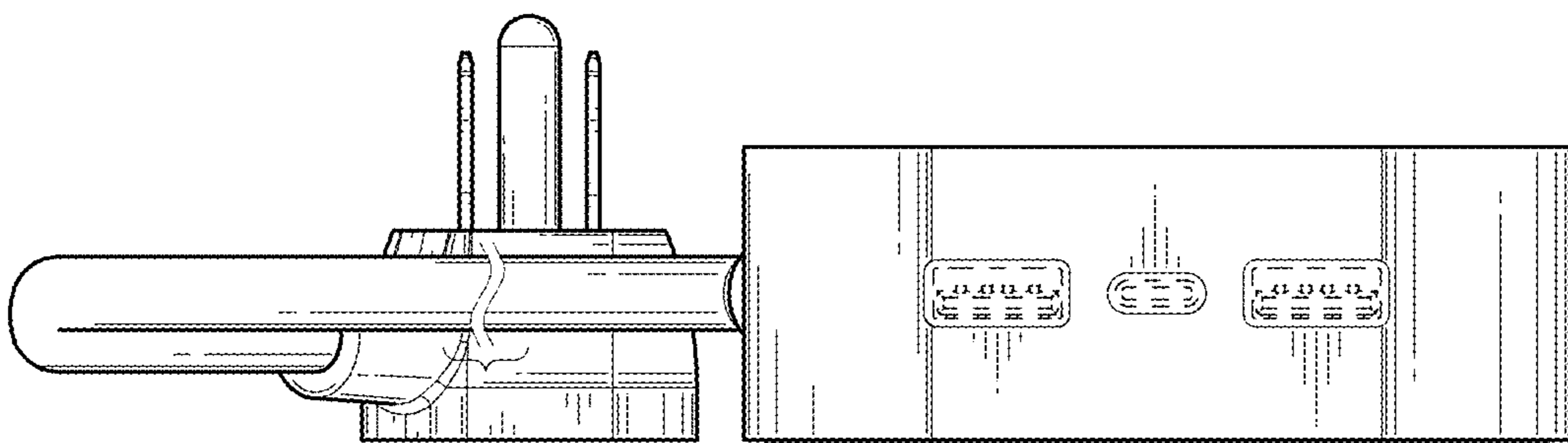


FIG. 7