

US00D948443S

(12) **United States Design Patent**
Tsuchiya et al.

(10) **Patent No.:** **US D948,443 S**
(45) **Date of Patent:** **** Apr. 12, 2022**

(54) **ELECTRICAL CONNECTOR HOUSING**

(71) Applicant: **SMK Corporation**, Tokyo (JP)

(72) Inventors: **Hiroataka Tsuchiya**, Tokyo (JP); **Fumio Osawa**, Tokyo (JP); **Tadahito Sasaki**, Kanagawa (JP)

(73) Assignee: **SMK Corporation**, Tokyo (JP)

(**) Term: **15 Years**

(21) Appl. No.: **29/757,173**

(22) Filed: **Nov. 4, 2020**

(51) **LOC (13) Cl.** **13-03**

(52) **U.S. Cl.**
USPC **D13/133**

(58) **Field of Classification Search**
USPC D13/120, 123, 133, 146-147, 149, 154, D13/184, 199
CPC H01R 4/028; H01R 12/716; H01R 12/707; H01R 12/57; H01R 13/04; H01R 13/502; H01R 13/629; H01R 12/7005
See application file for complete search history.

(56) **References Cited**

U.S. PATENT DOCUMENTS

D329,223 S * 9/1992 Lee D13/133
D337,989 S * 8/1993 Lee D13/133
D364,848 S * 12/1995 Miyanishi D13/161
5,575,666 A * 11/1996 Dent H01R 12/585
439/751

D434,003 S * 11/2000 Brisson D13/133
D451,073 S * 11/2001 Yasuda D13/133
7,422,466 B1 * 9/2008 Arai H01R 13/5804
439/353
7,467,965 B1 * 12/2008 Arai H01R 13/6273
439/353
D605,596 S * 12/2009 Sakamoto D13/133
D606,022 S * 12/2009 Sakamoto D13/133
D836,069 S * 12/2018 Barrefelt D13/133
D847,749 S * 5/2019 Barrefelt D13/133
D933,609 S * 10/2021 Obata D13/133

* cited by examiner

Primary Examiner — Shawn T Gingrich
Assistant Examiner — Anton Dennis Murray

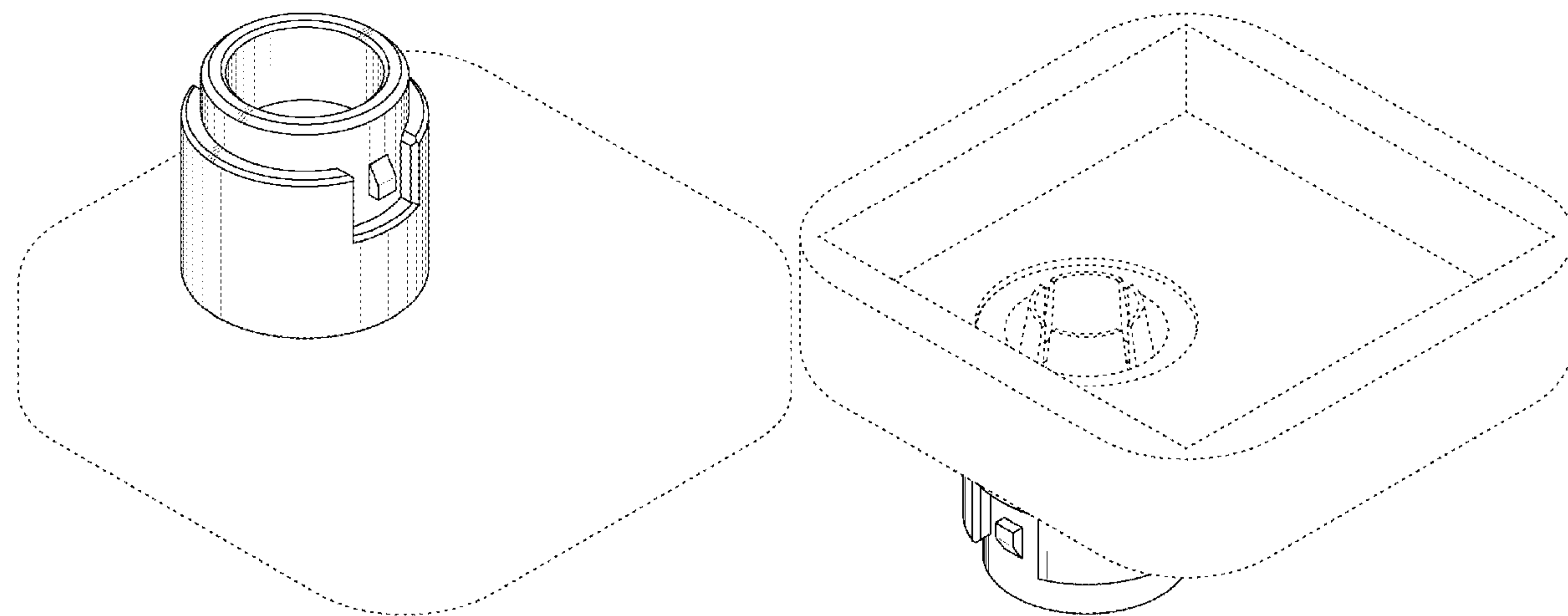
(57) **CLAIM**

The ornamental design for an electrical connector housing, as shown and described.

DESCRIPTION

FIG. 1 is a top, right side perspective view of an electrical connector housing, showing our new design;
FIG. 2 is a bottom, left side perspective view thereof.
FIG. 3 is a front elevation view thereof;
FIG. 4 is a rear elevation view thereof;
FIG. 5 is a top plan view thereof;
FIG. 6 is a bottom plan view thereof;
FIG. 7 is a right side view thereof; and,
FIG. 8 is a left side view thereof.
The equal-length broken lines depict portions of the electrical connector housing that forms no part of the claimed design.

1 Claim, 8 Drawing Sheets



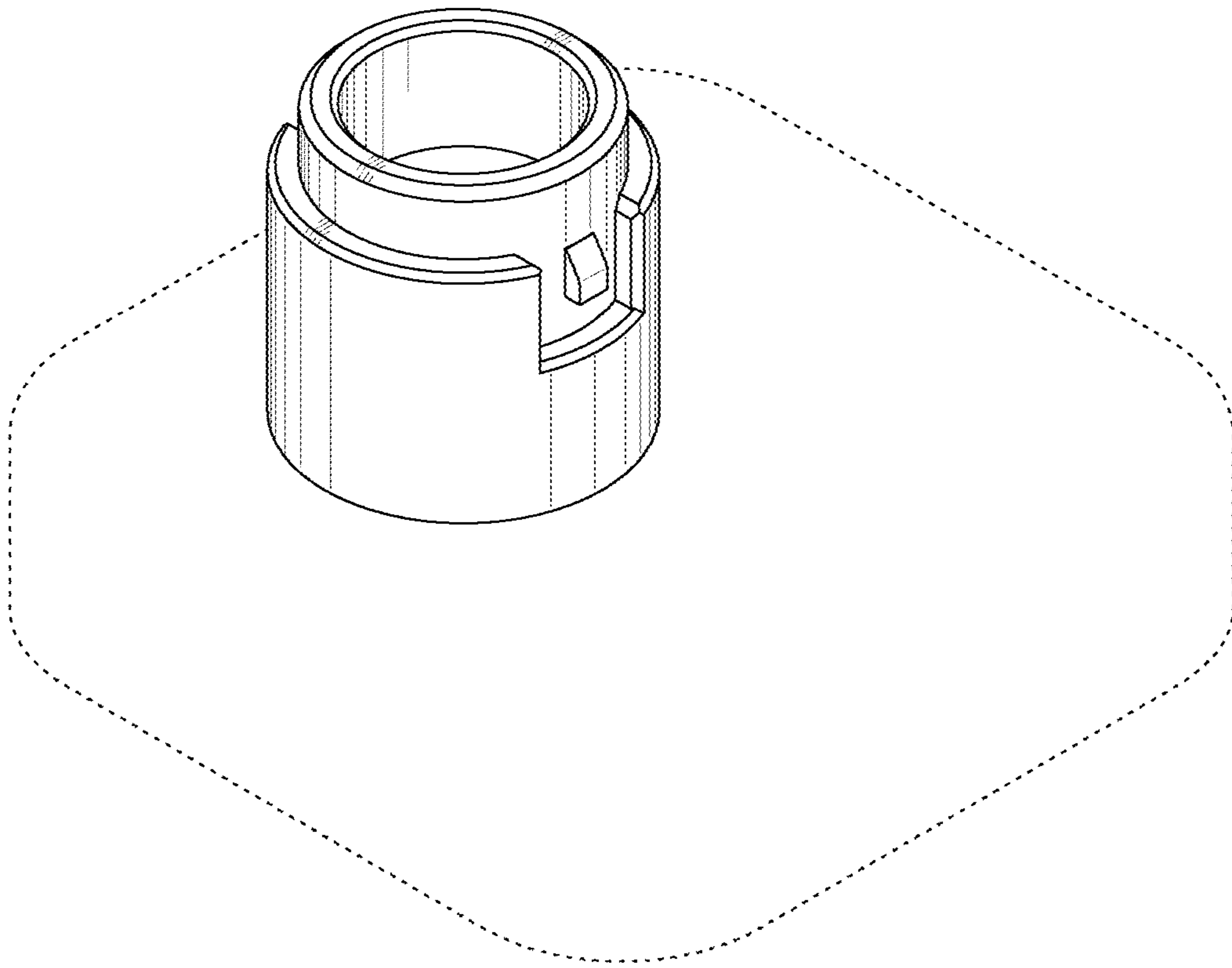


Fig. 1

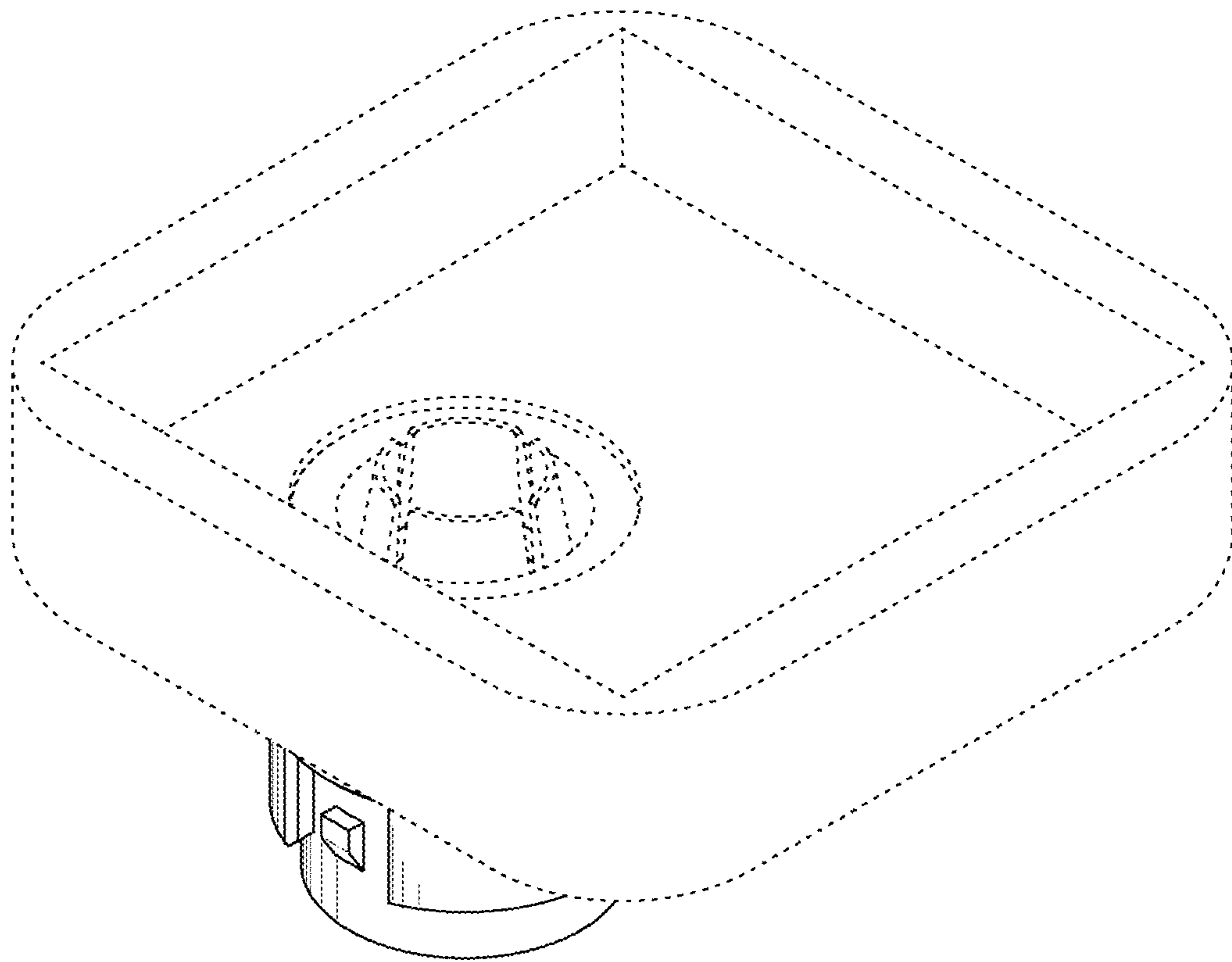


Fig.2

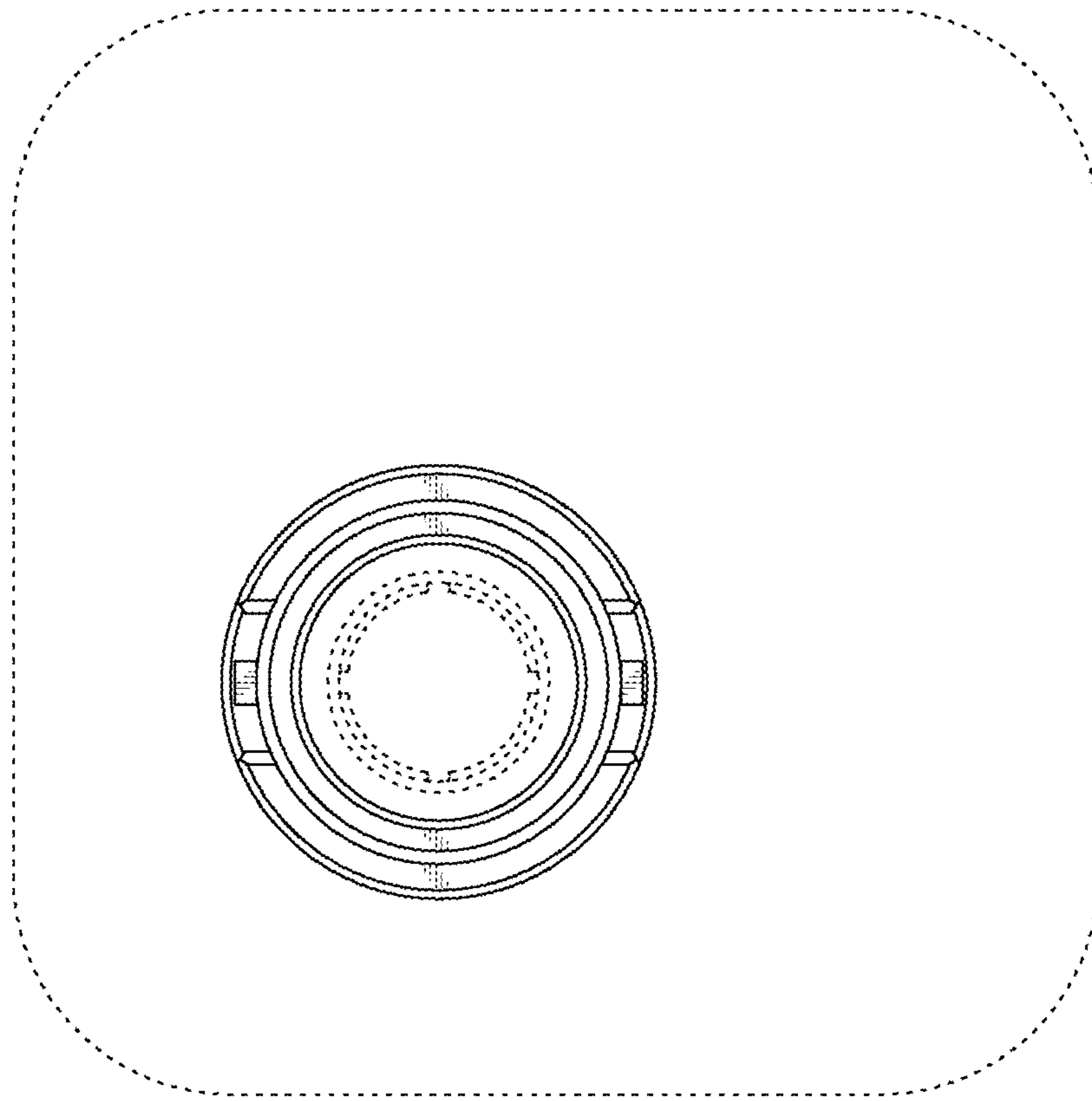


Fig.3

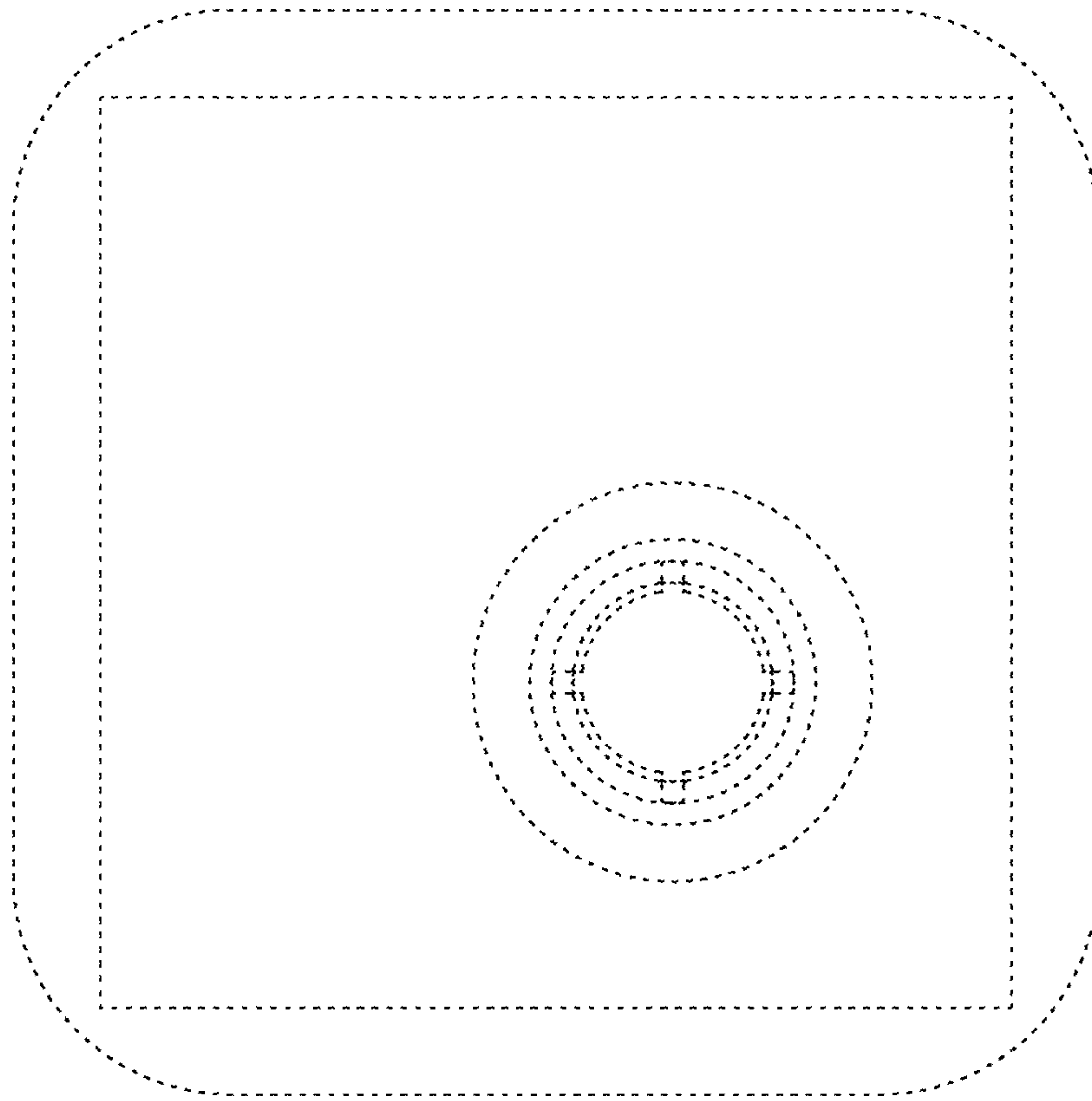


Fig.4

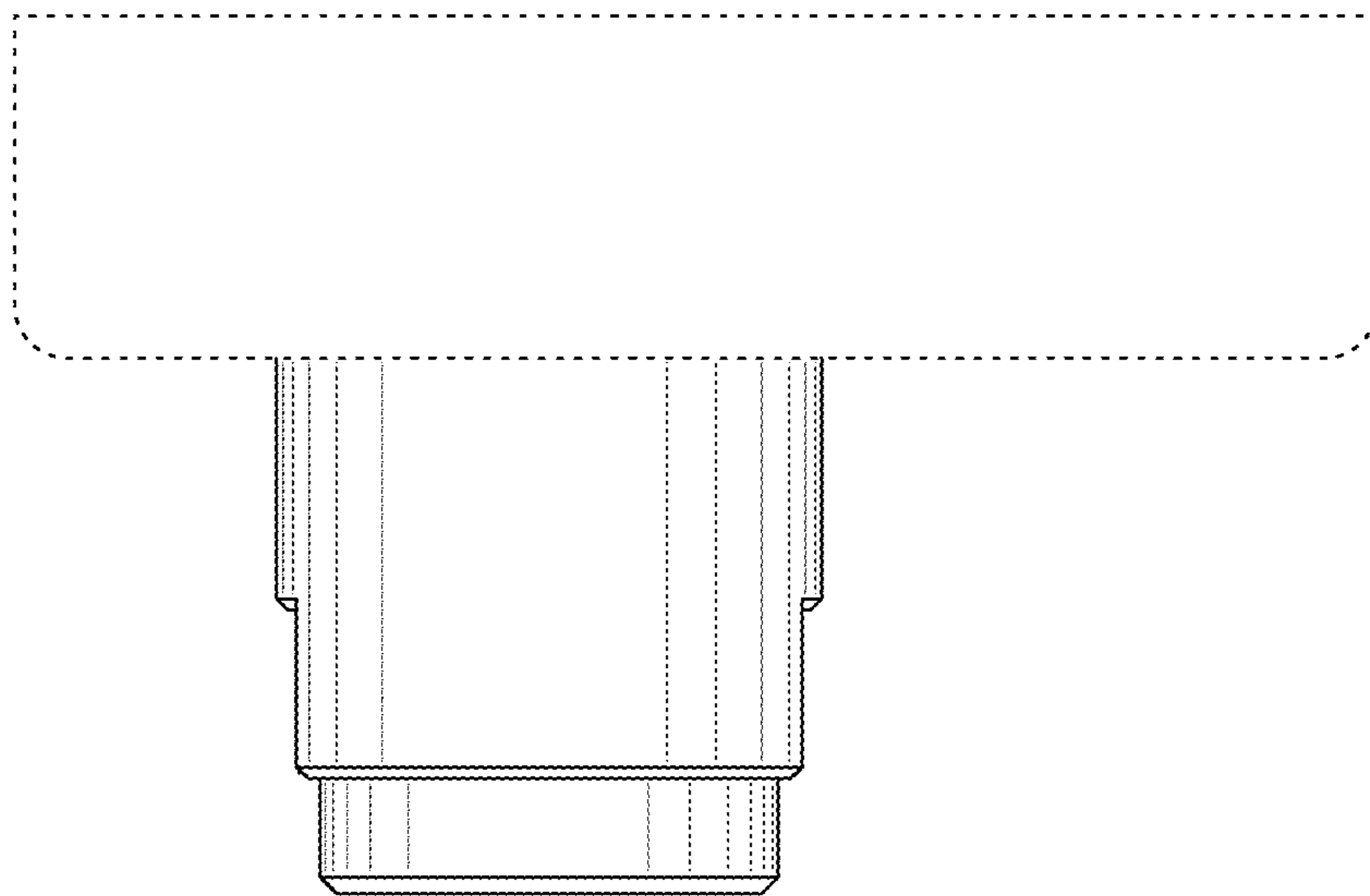


Fig. 5

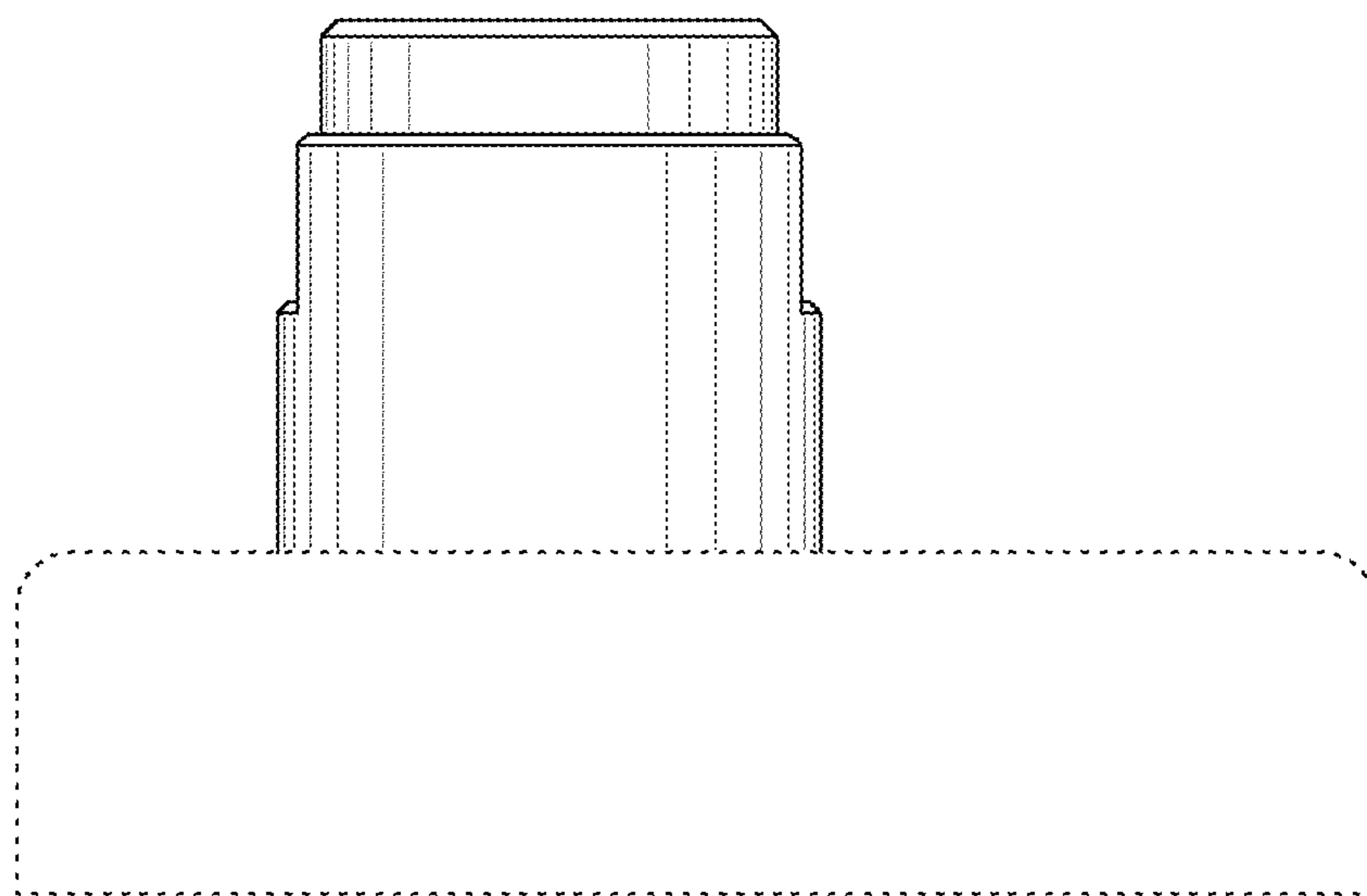


Fig.6

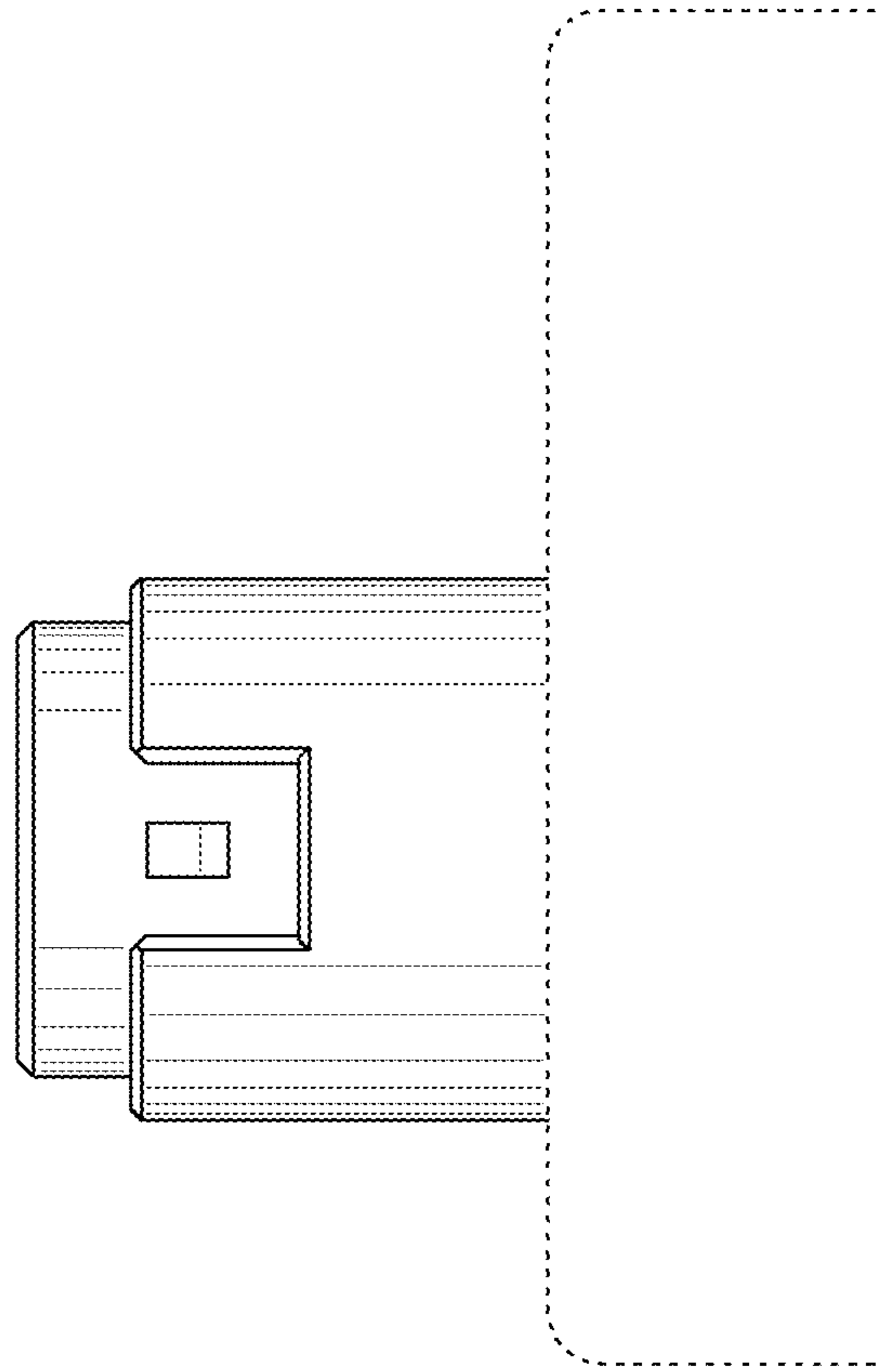


Fig.7

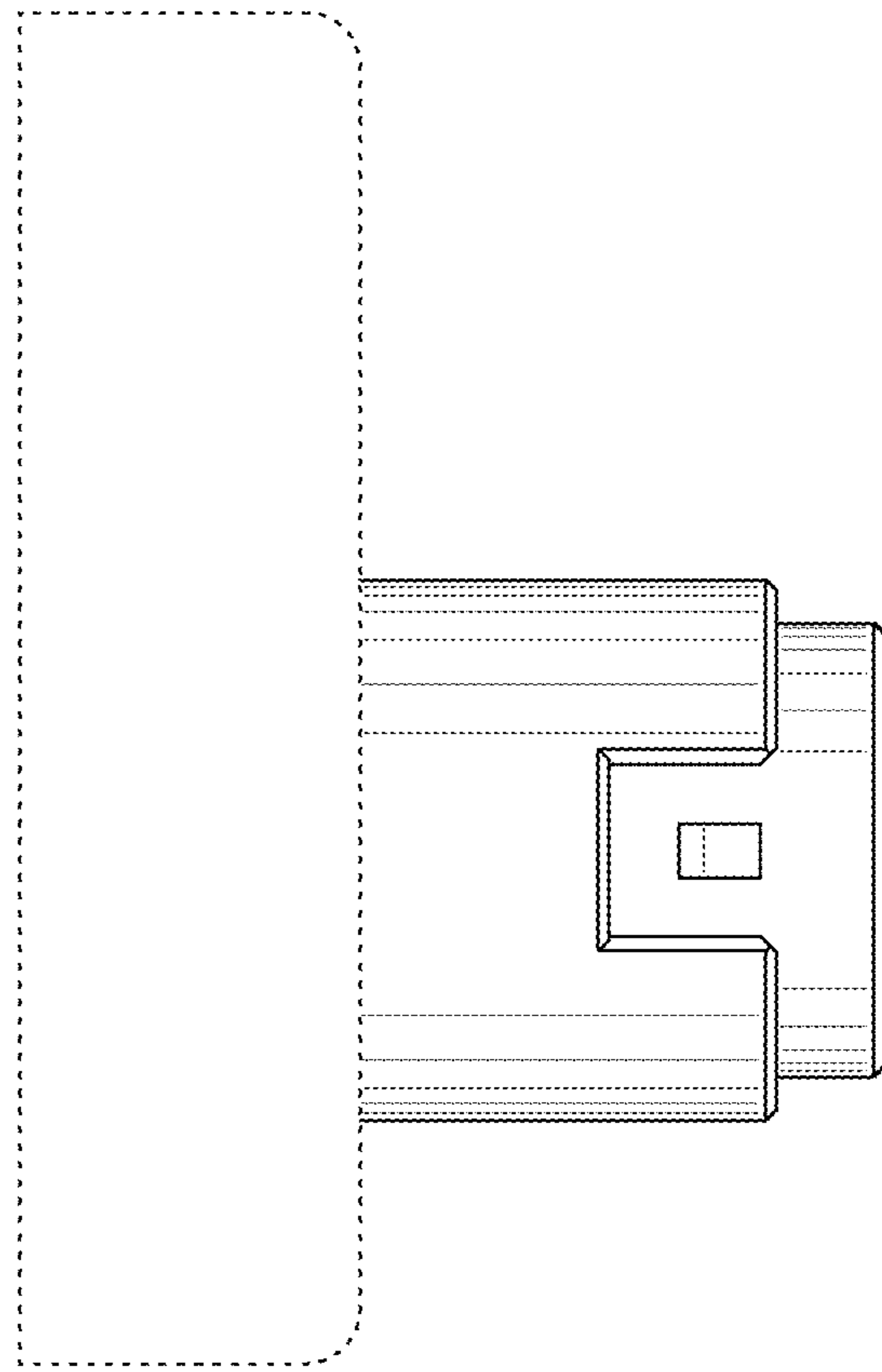


Fig. 8

UNITED STATES PATENT AND TRADEMARK OFFICE
CERTIFICATE OF CORRECTION

PATENT NO. : D948,443 S
APPLICATION NO. : 29/757173
DATED : April 12, 2022
INVENTOR(S) : Hirotaka Tsuchiya, Fumio Osawa and Tadahito Sasaki

Page 1 of 1

It is certified that error appears in the above-identified patent and that said Letters Patent is hereby corrected as shown below:

On the Title Page

Column 1, item (30) Insert:
--Foreign Application Priority Data
Jun. 26, 2020 (JP) 2020-012911 D--

Signed and Sealed this
Eighth Day of November, 2022
Katherine Kelly Vidal

Katherine Kelly Vidal
Director of the United States Patent and Trademark Office

UNITED STATES PATENT AND TRADEMARK OFFICE
CERTIFICATE OF CORRECTION

PATENT NO. : D948,443 S
APPLICATION NO. : 29/757173
DATED : April 12, 2022
INVENTOR(S) : Hirotaka Tsuchiya, Fumio Osawa and Tadahito Sasaki

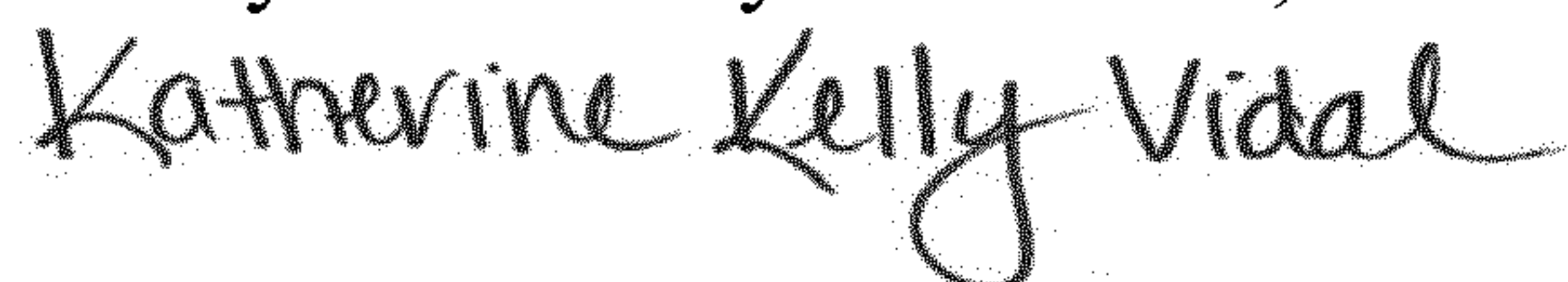
Page 1 of 1

It is certified that error appears in the above-identified patent and that said Letters Patent is hereby corrected as shown below:

On the Title Page

Column 1 Item (30) Insert:
--Foreign Application Priority Data
Jun. 26, 2020 (JP) 2020-012911 D--

Signed and Sealed this
Twenty-fourth Day of October, 2023



Katherine Kelly Vidal
Director of the United States Patent and Trademark Office