



US00D948442S

(12) **United States Design Patent**  
**Tsuchiya et al.**

(10) **Patent No.:** **US D948,442 S**

(45) **Date of Patent:** **\*\* Apr. 12, 2022**

- (54) **ELECTRICAL CONNECTOR**
- (71) Applicant: **SMK Corporation**, Tokyo (JP)
- (72) Inventors: **Hiroataka Tsuchiya**, Tokyo (JP); **Fumio Osawa**, Tokyo (JP); **Tadahito Sasaki**, Kanagawa (JP)
- (73) Assignee: **SMK Corporation**, Tokyo (JP)
- (\*\*) Term: **15 Years**

- 5,575,666 A \* 11/1996 Dent ..... H01R 12/585  
439/751
- D434,003 S \* 11/2000 Brisson ..... D13/133
- D451,073 S \* 11/2001 Yasuda ..... D13/133
- 7,422,466 B1 \* 9/2008 Arai ..... H01R 13/5804  
439/353
- 7,467,965 B1 \* 12/2008 Arai ..... H01R 13/6273  
439/353
- D605,596 S \* 12/2009 Sakamoto ..... D13/133
- D606,022 S \* 12/2009 Sakamoto ..... D13/133
- D836,069 S \* 12/2018 Barrefelt ..... D13/133
- D847,749 S \* 5/2019 Barrefelt ..... D13/133
- D933,609 S \* 10/2021 Obata ..... D13/133

- (21) Appl. No.: **29/757,172**
- (22) Filed: **Nov. 4, 2020**
- (51) **LOC (13) Cl.** ..... **13-03**
- (52) **U.S. Cl.**  
USPC ..... **D13/133**
- (58) **Field of Classification Search**  
USPC ..... D13/120, 123, 133, 146-147, 149, 154,  
D13/184, 199  
CPC .... H01R 4/028; H01R 12/716; H01R 12/707;  
H01R 12/57; H01R 13/04; H01R 13/502;  
H01R 13/629; H01R 12/7005  
See application file for complete search history.

\* cited by examiner

*Primary Examiner* — Shawn T Gingrich  
*Assistant Examiner* — Anton Dennis Murray

(57) **CLAIM**

The ornamental design for an electrical connector, as shown and described.

**DESCRIPTION**

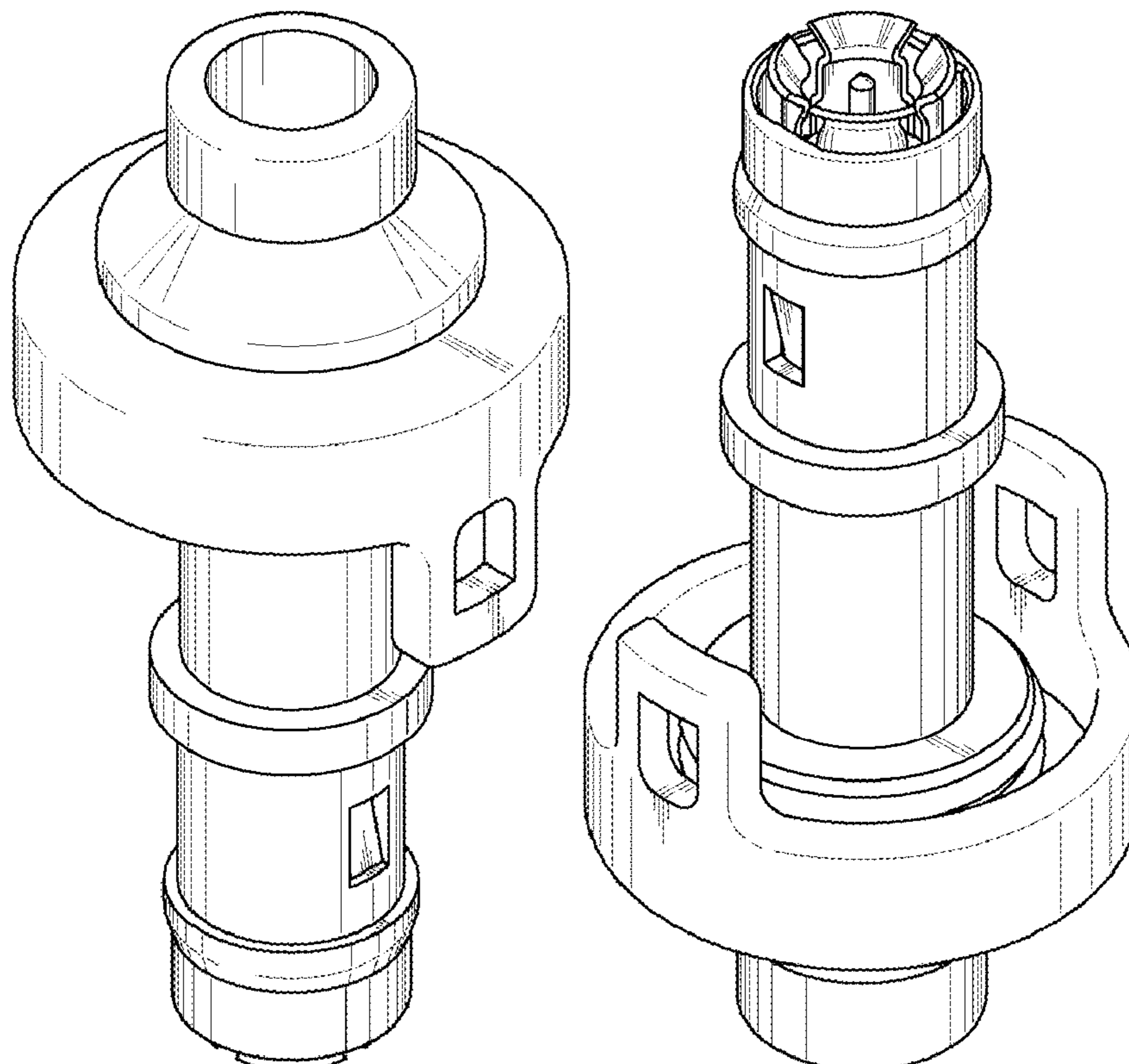
FIG. 1 is a top, right side perspective view of an electrical connector, showing our new design;  
FIG. 2 is a bottom, left side perspective view thereof.  
FIG. 3 is a front elevation view thereof;  
FIG. 4 is a rear elevation view thereof;  
FIG. 5 is a top plan view thereof;  
FIG. 6 is a bottom plan view thereof;  
FIG. 7 is a right side view thereof; and,  
FIG. 8 is a left side view thereof.

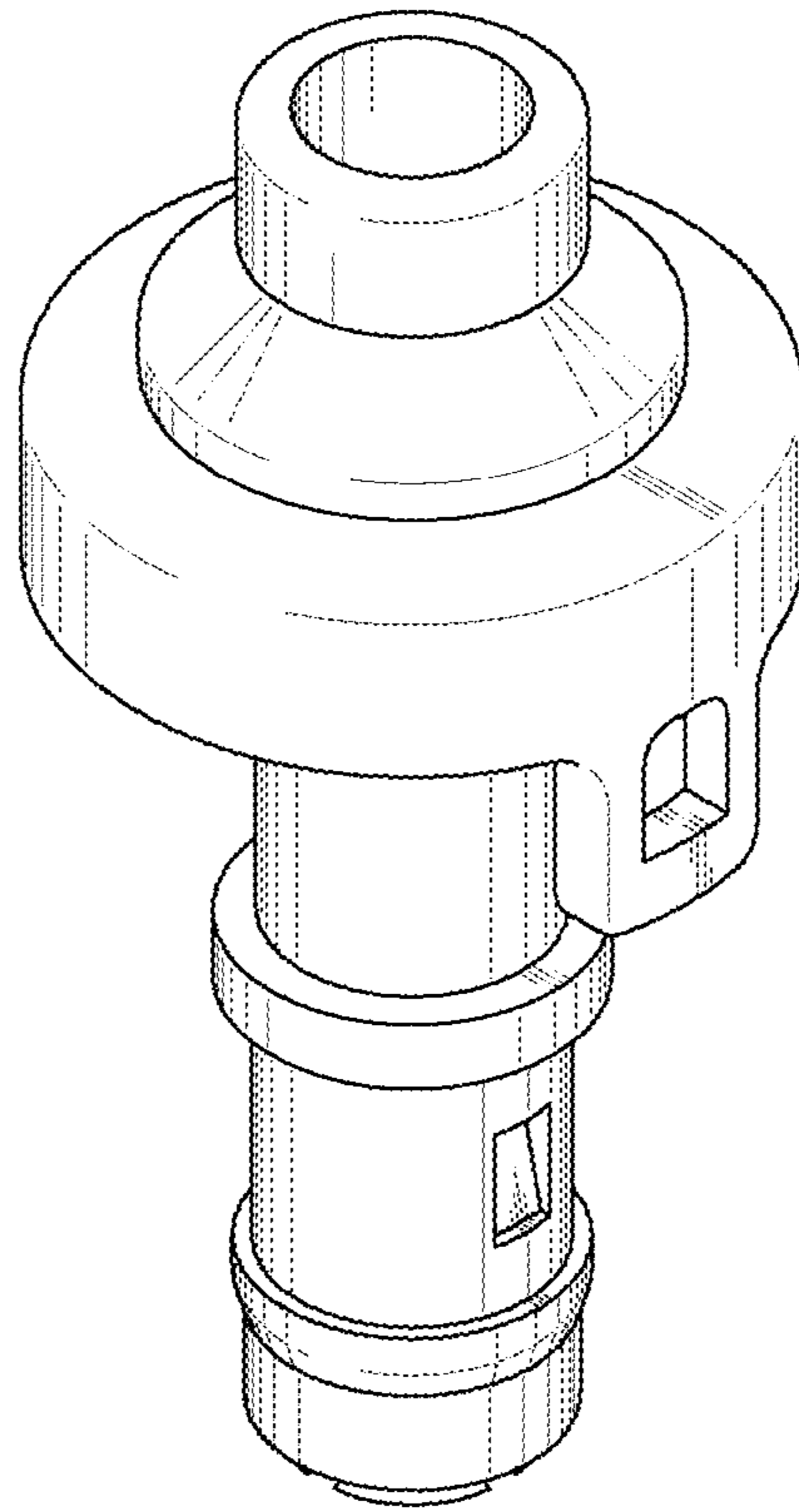
(56) **References Cited**

**U.S. PATENT DOCUMENTS**

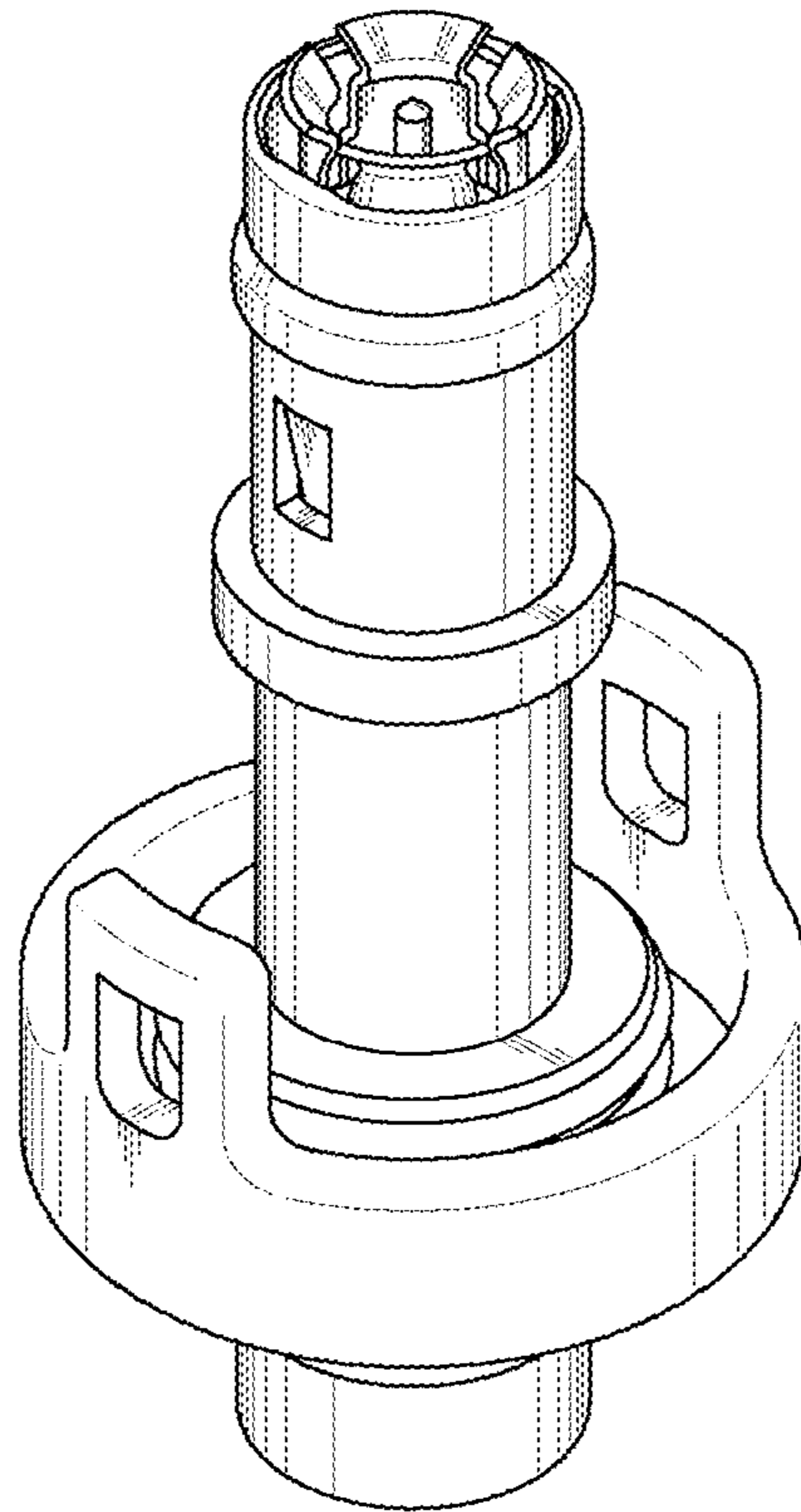
- D329,223 S \* 9/1992 Lee ..... D13/133
- D337,989 S \* 8/1993 Lee ..... D13/133
- D364,848 S \* 12/1995 Miyanishi ..... D13/161

**1 Claim, 8 Drawing Sheets**

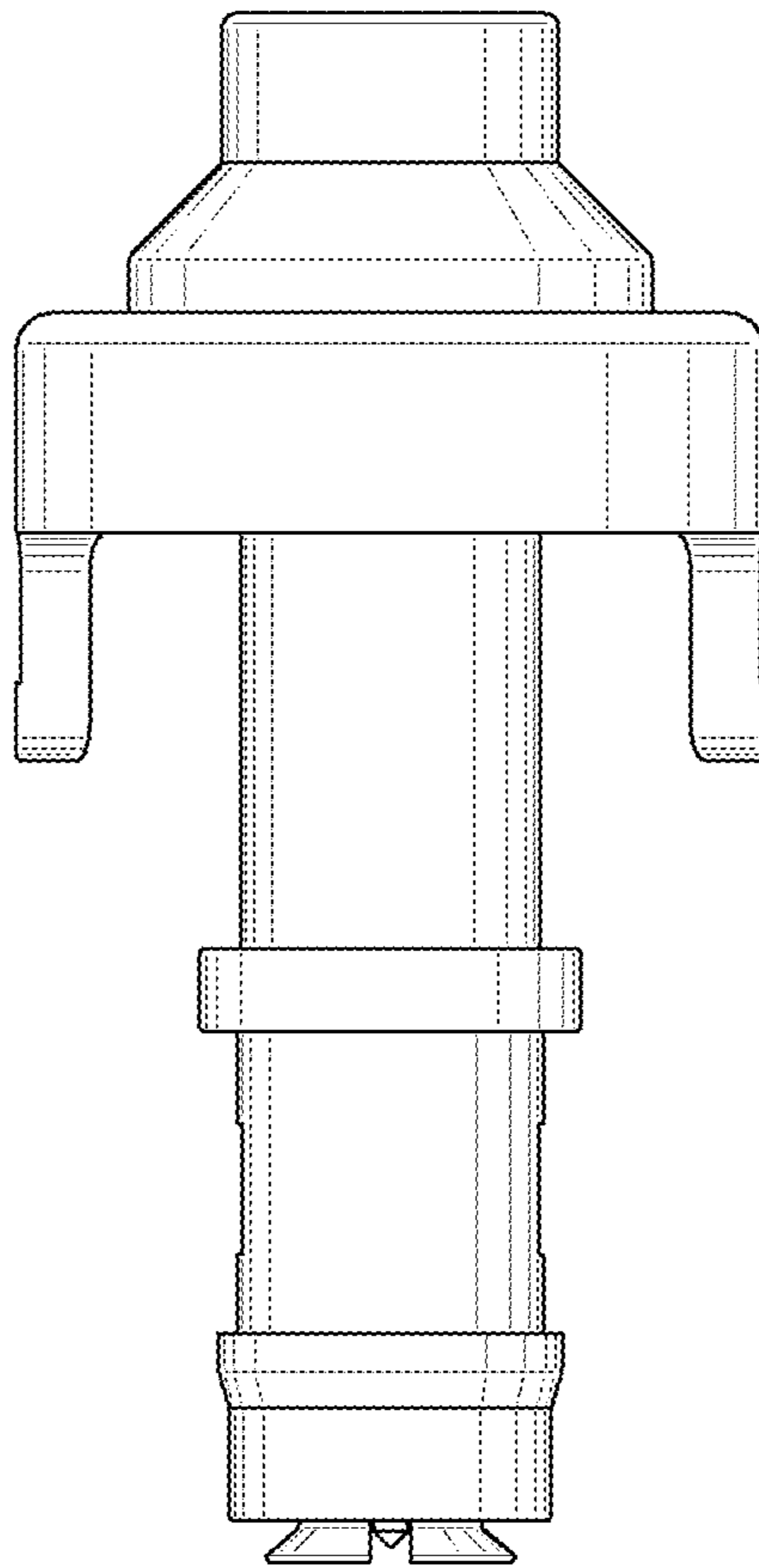




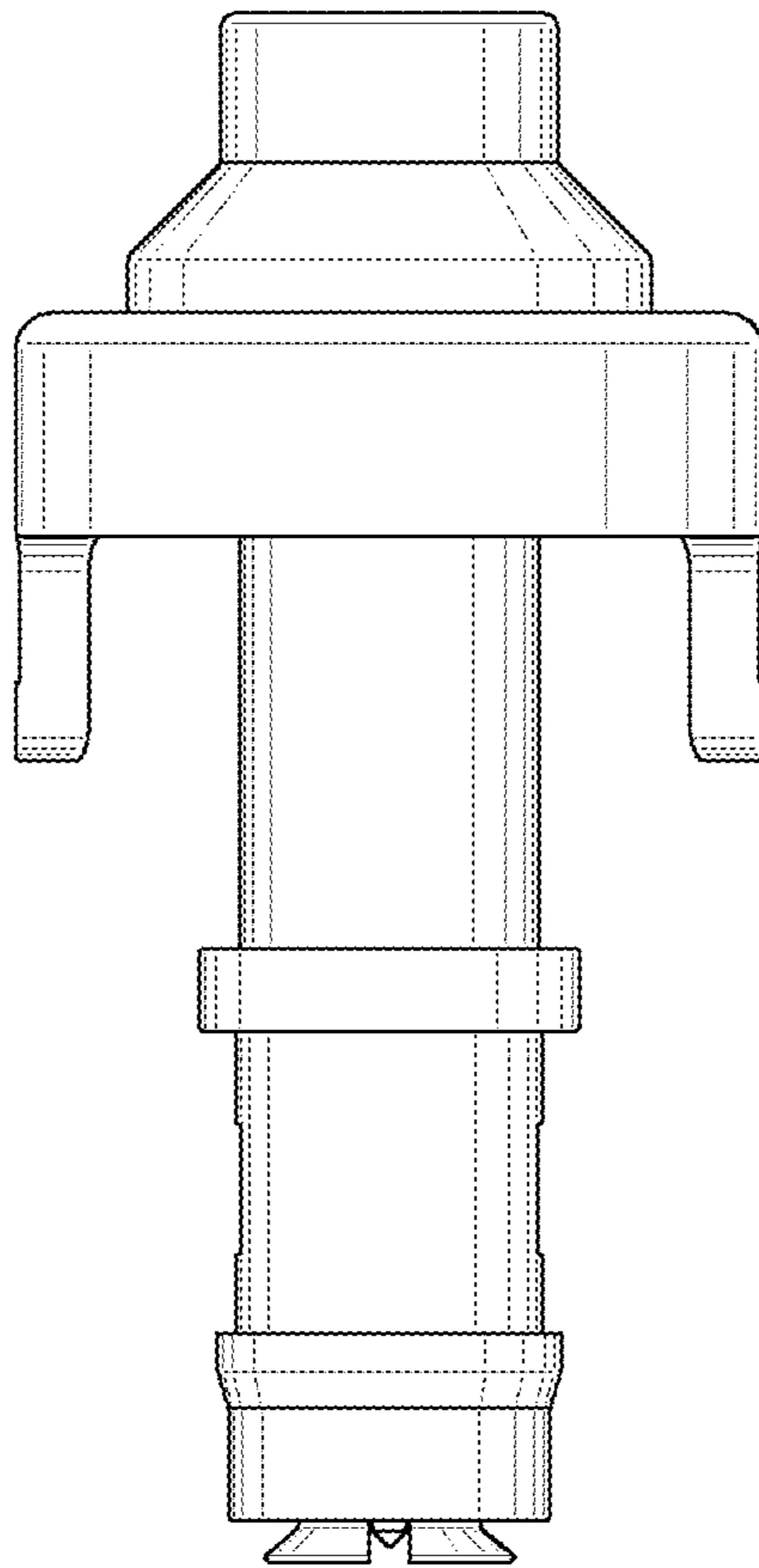
*Fig. 1*



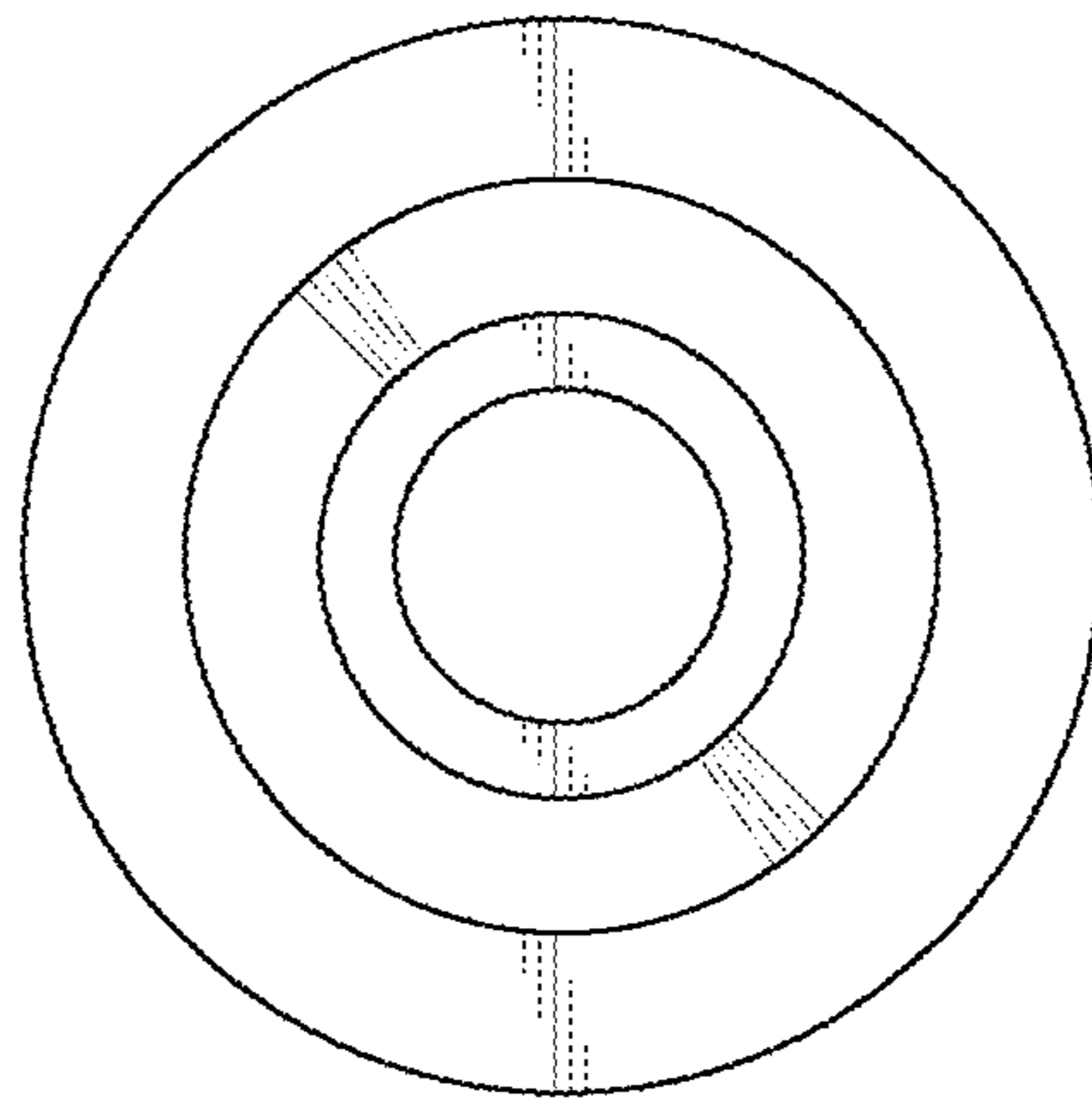
*Fig.2*



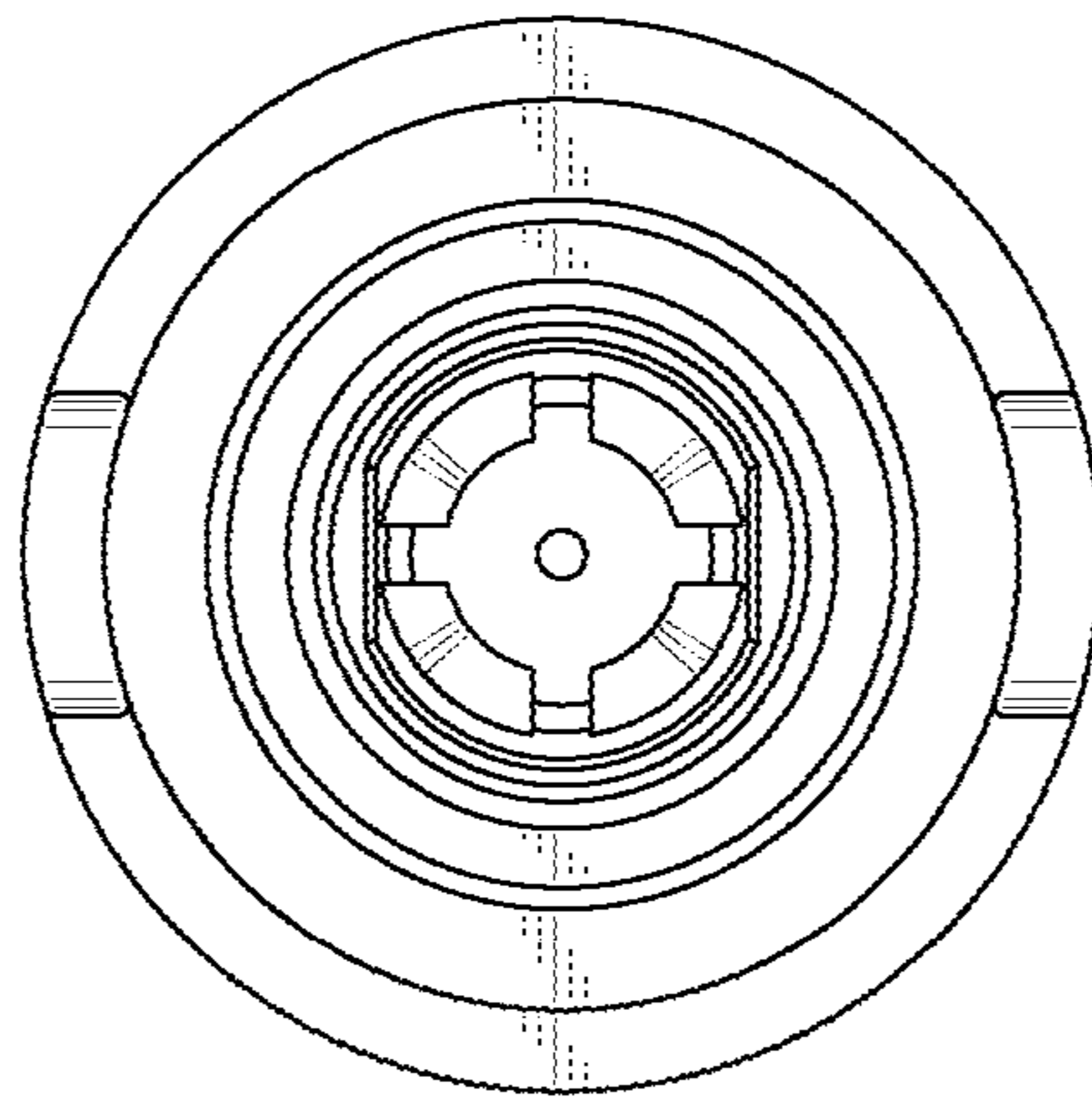
*Fig.3*



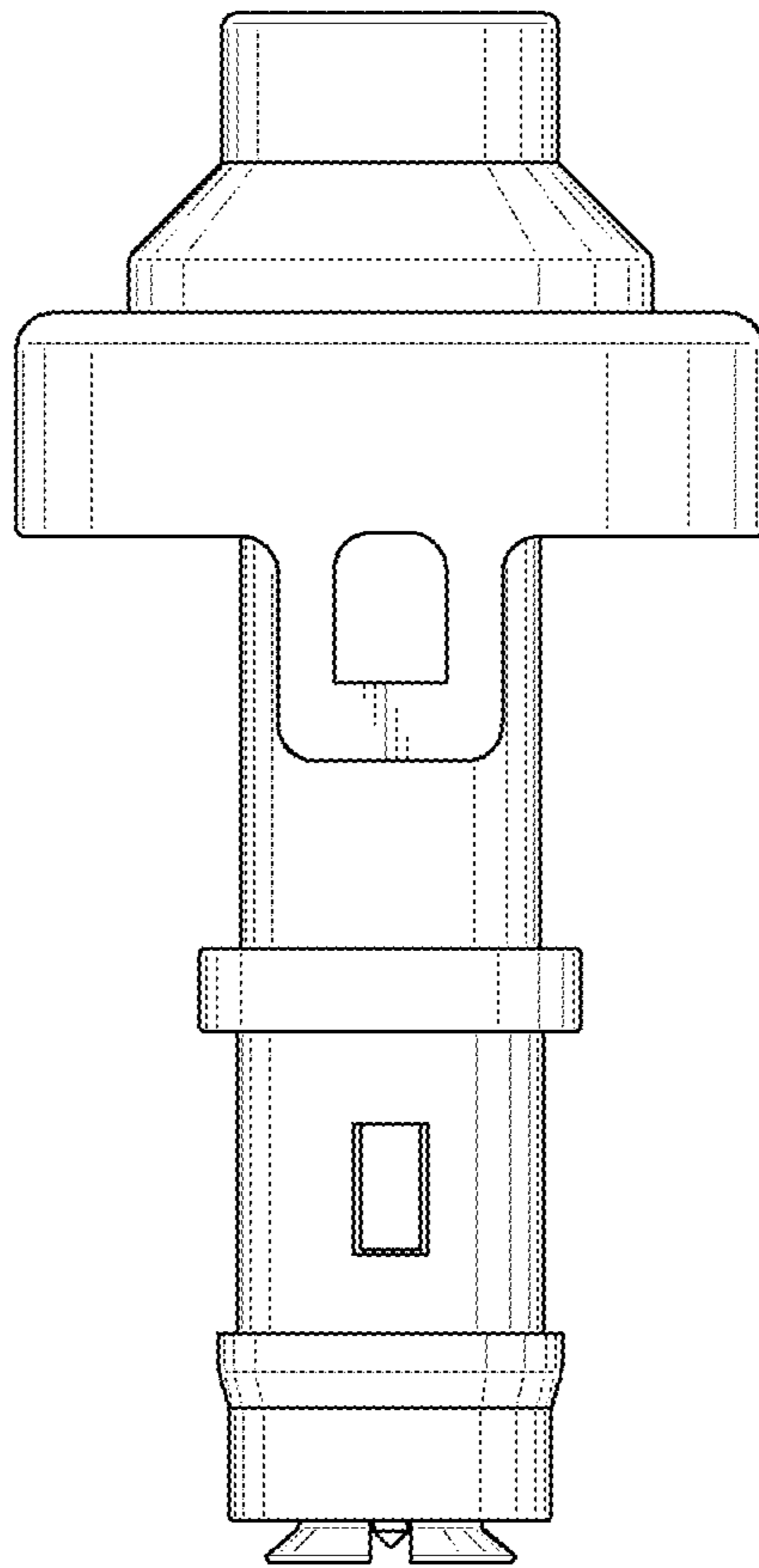
*Fig. 4*



*Fig.5*

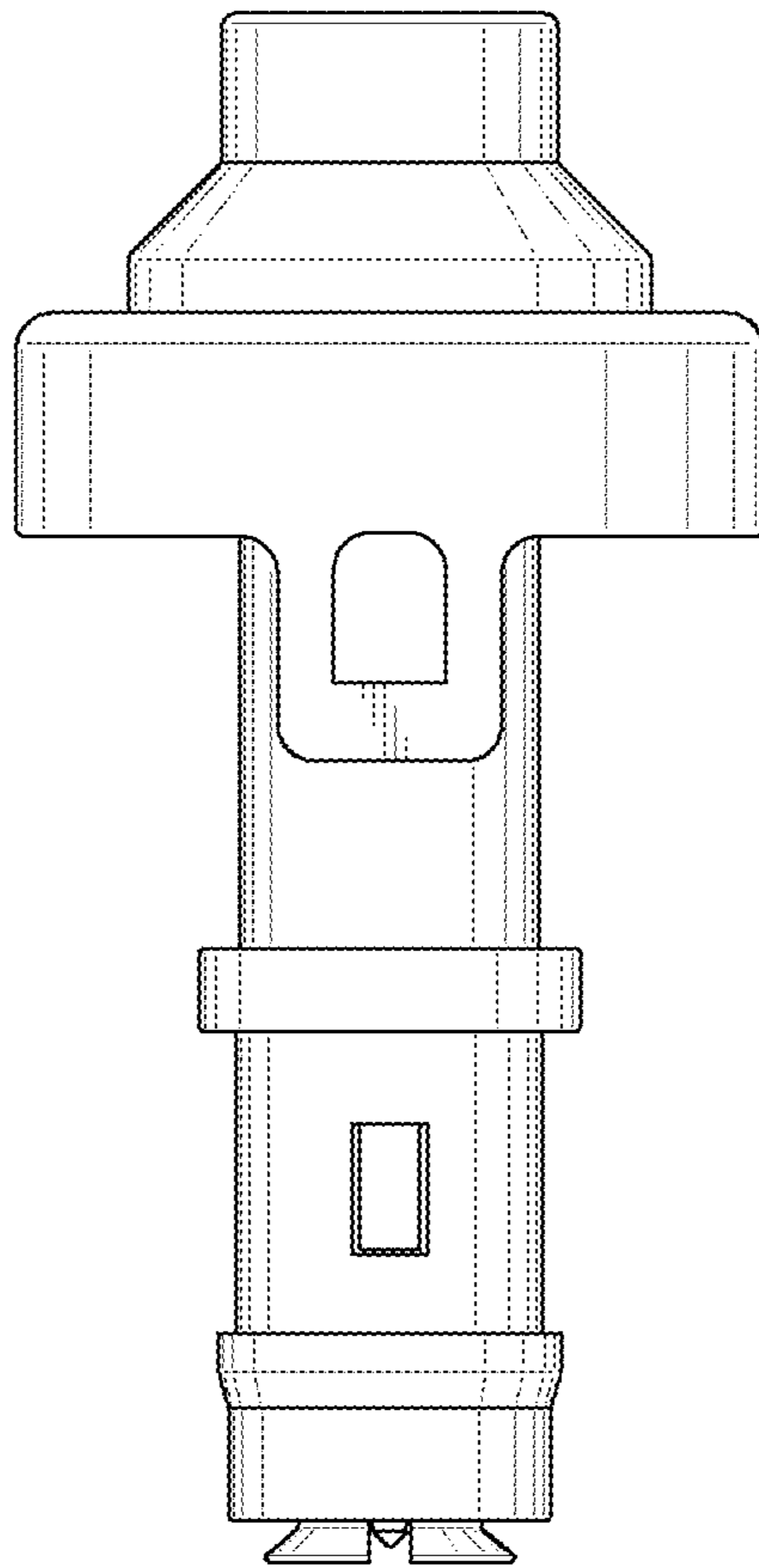


*Fig.6*



*Fig. 7*





*Fig.8*

UNITED STATES PATENT AND TRADEMARK OFFICE  
**CERTIFICATE OF CORRECTION**

PATENT NO. : D948,442 S  
APPLICATION NO. : 29/757172  
DATED : April 12, 2022  
INVENTOR(S) : Hirotaka Tsuchiya, Fumio Osawa and Tadahito Sasaki

Page 1 of 1

It is certified that error appears in the above-identified patent and that said Letters Patent is hereby corrected as shown below:

On the Title Page

Column 1, Foreign Application Priority Data Should be added:

Jun. 26, 2020 (JP) 2020-012910 D

Signed and Sealed this  
Twenty-second Day of August, 2023



Katherine Kelly Vidal  
*Director of the United States Patent and Trademark Office*