



US00D948441S

(12) **United States Design Patent**
Takano et al.

(10) **Patent No.:** **US D948,441 S**
(45) **Date of Patent:** **** Apr. 12, 2022**

- (54) **ELECTRICAL CONNECTOR TERMINAL**
- (71) Applicant: **SMK Corporation**, Tokyo (JP)
- (72) Inventors: **Ryutaro Takano**, Tokyo (JP); **Kohei Kai**, Kanagawa (JP)
- (73) Assignee: **SMK Corporation**, Tokyo (JP)
- (**) Term: **15 Years**
- (21) Appl. No.: **29/757,170**
- (22) Filed: **Nov. 4, 2020**
- (51) **LOC (13) Cl.** **13-03**
- (52) **U.S. Cl.**
USPC **D13/133**
- (58) **Field of Classification Search**
USPC D13/120, 123, 133, 146-147, 149, 154,
D13/184, 199
CPC H01R 4/028; H01R 12/716; H01R 12/707;
H01R 12/57; H01R 13/04; H01R 13/502;
H01R 13/629; H01R 12/7005
See application file for complete search history.

D451,073 S *	11/2001	Yasuda	D13/133
7,422,466 B1 *	9/2008	Arai	H01R 13/5804 439/353
7,467,965 B1 *	12/2008	Arai	H01R 13/6273 439/353
D605,596 S *	12/2009	Sakamoto	D13/133
D606,022 S *	12/2009	Sakamoto	D13/133
D836,069 S *	12/2018	Barrefelt	D13/133
D847,749 S *	5/2019	Barrefelt	D13/133
D933,609 S *	10/2021	Obata	D13/133

* cited by examiner

Primary Examiner — Shawn T Gingrich
Assistant Examiner — Anton Dennis Murray

(57) **CLAIM**

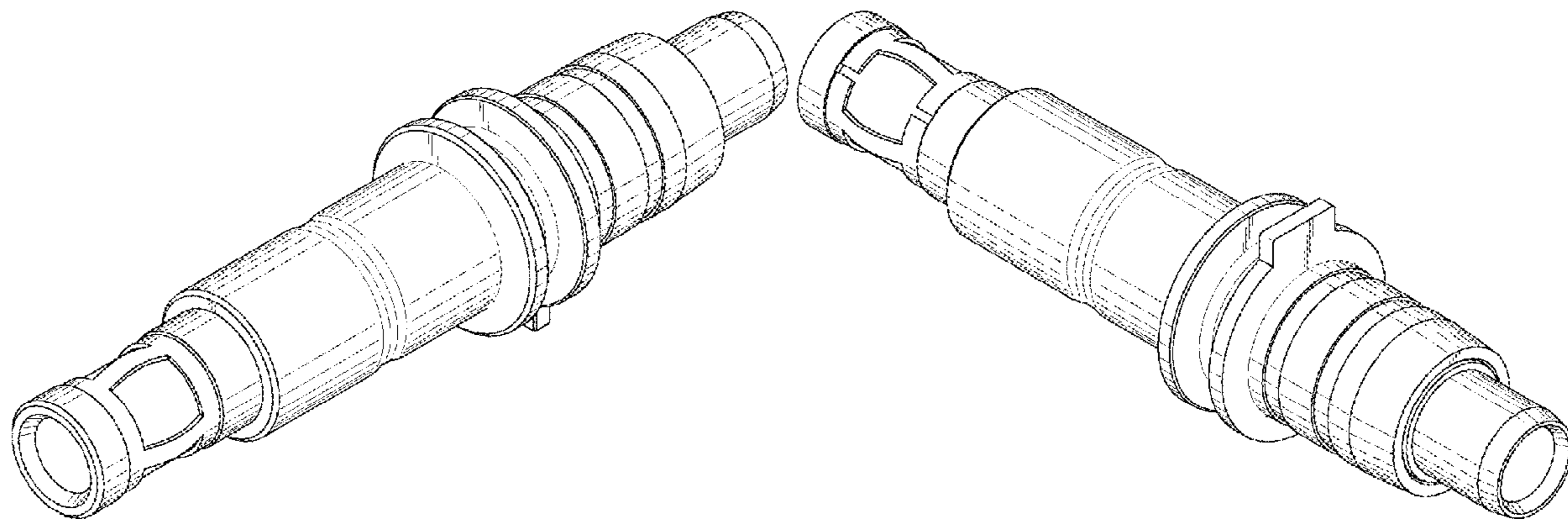
The ornamental design for an electrical connector terminal, as shown and described.

DESCRIPTION

FIG. 1 is a front, left side perspective view of an electrical connector terminal, showing our new design;
FIG. 2 is a rear, right side perspective view thereof;
FIG. 3 is a front elevation view thereof;
FIG. 4 is a rear elevation view thereof;
FIG. 5 is a top plan view thereof;
FIG. 6 is a bottom plan view thereof;
FIG. 7 is a right side view thereof; and,
FIG. 8 is a left side view thereof.

1 Claim, 8 Drawing Sheets

- (56) **References Cited**
U.S. PATENT DOCUMENTS
D329,223 S * 9/1992 Lee D13/133
D337,989 S * 8/1993 Lee D13/133
D364,848 S * 12/1995 Miyanishi D13/161
5,575,666 A * 11/1996 Dent H01R 12/585
439/751
D434,003 S * 11/2000 Brisson D13/133



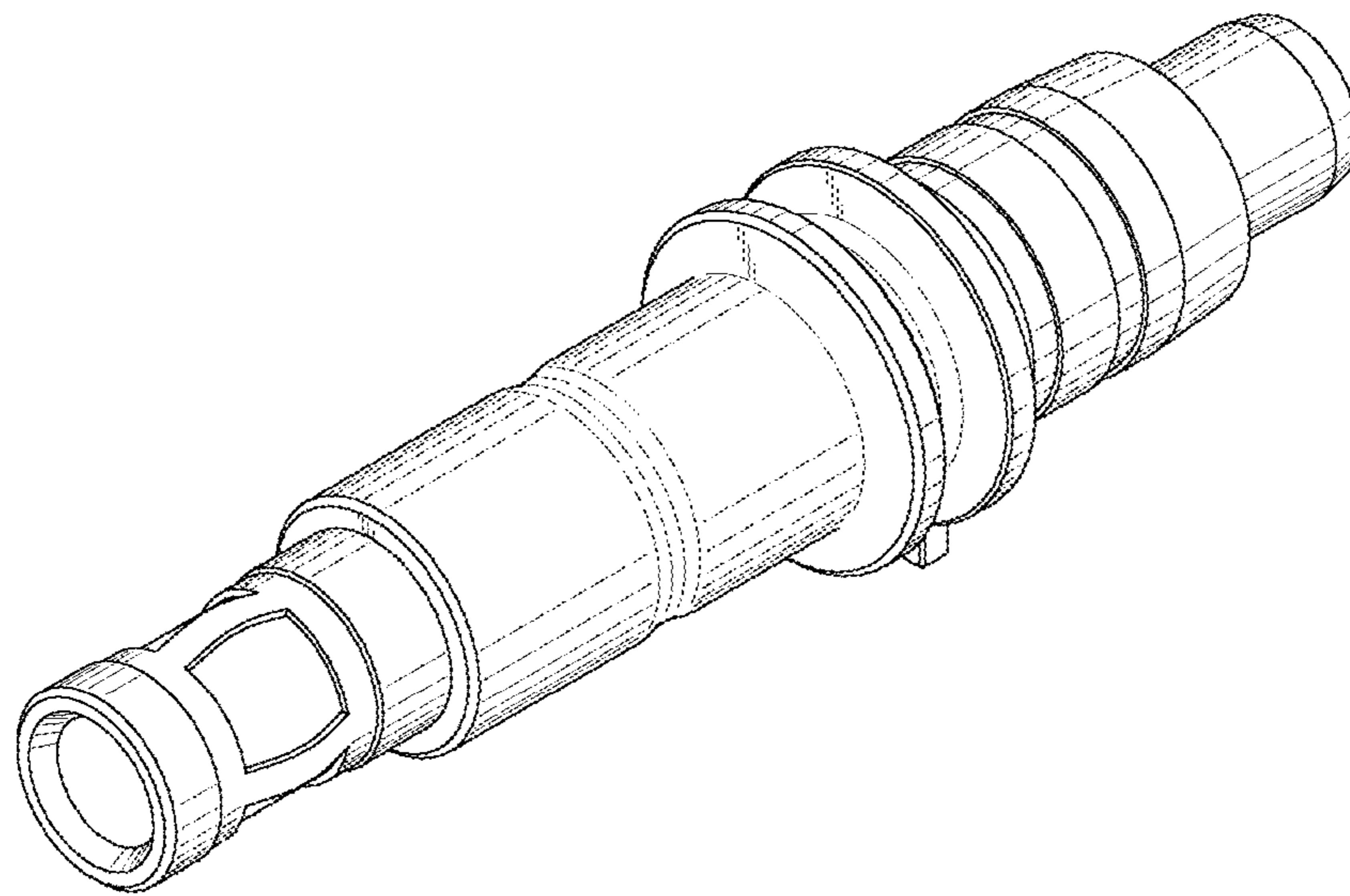


Fig. 1

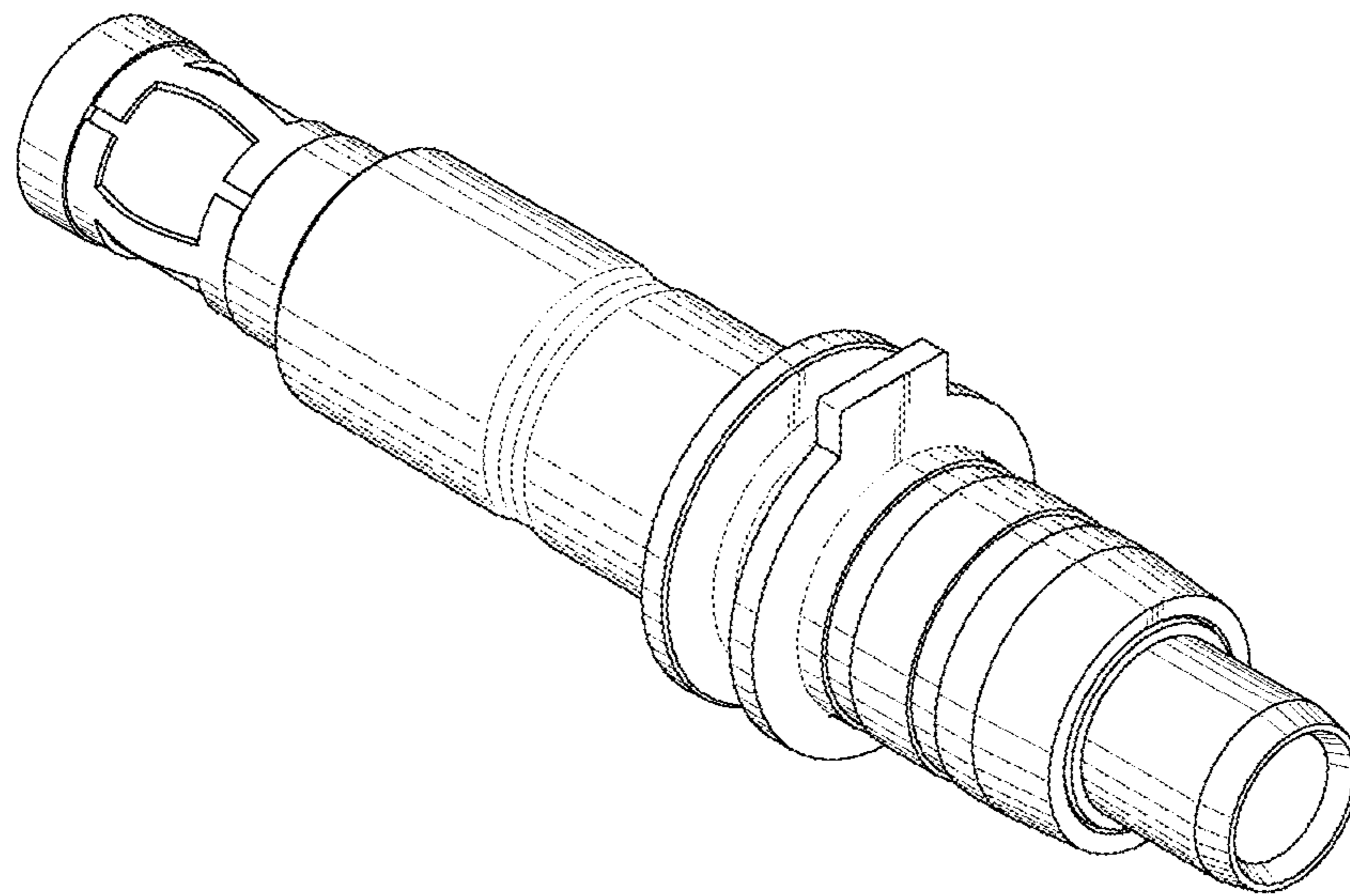


Fig.2

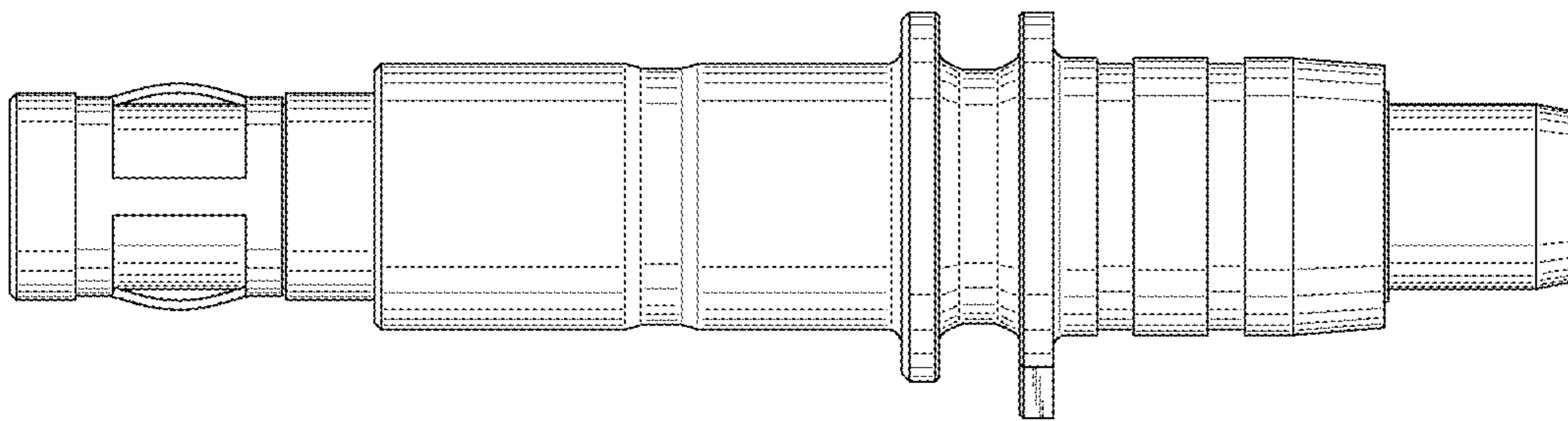


Fig.3

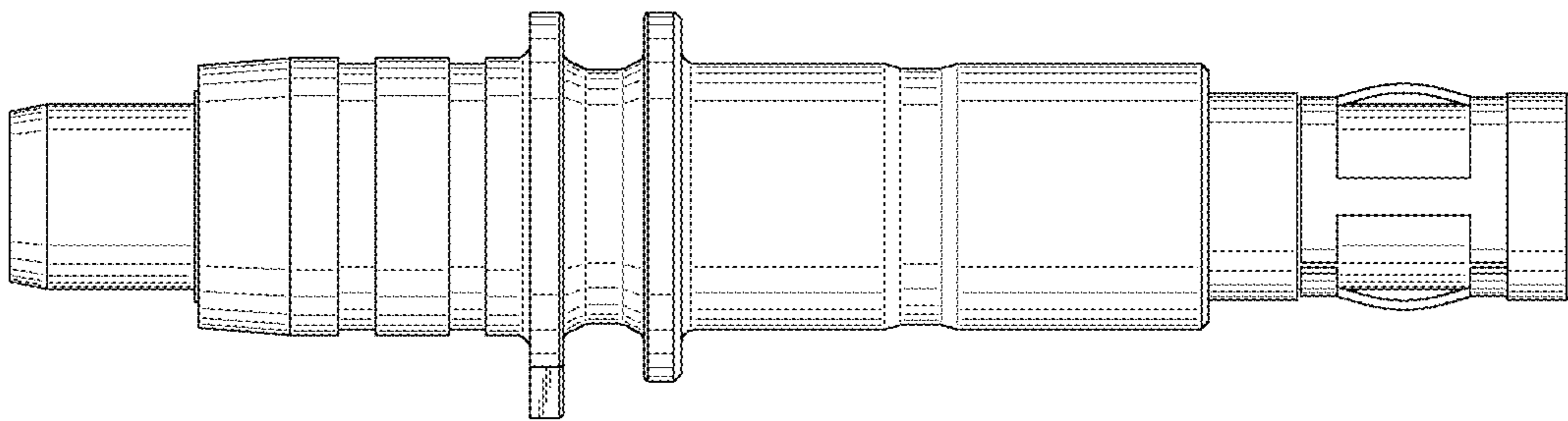


Fig.4

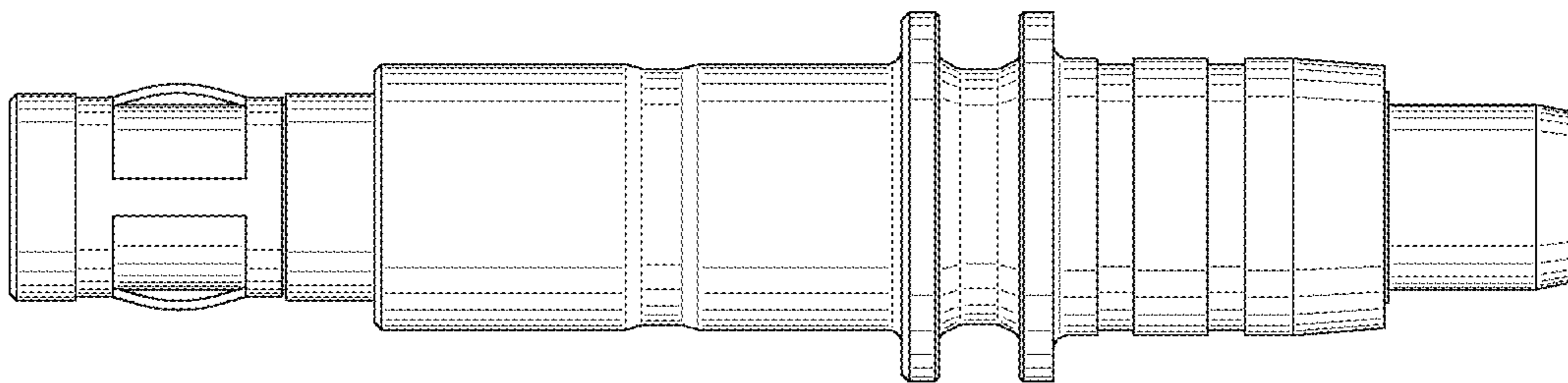


Fig.5

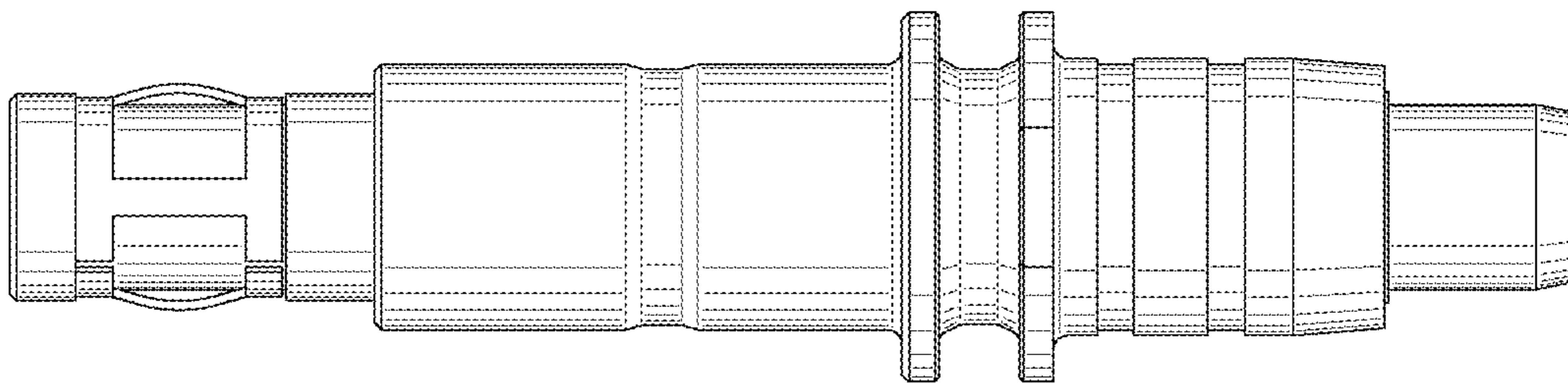


Fig.6

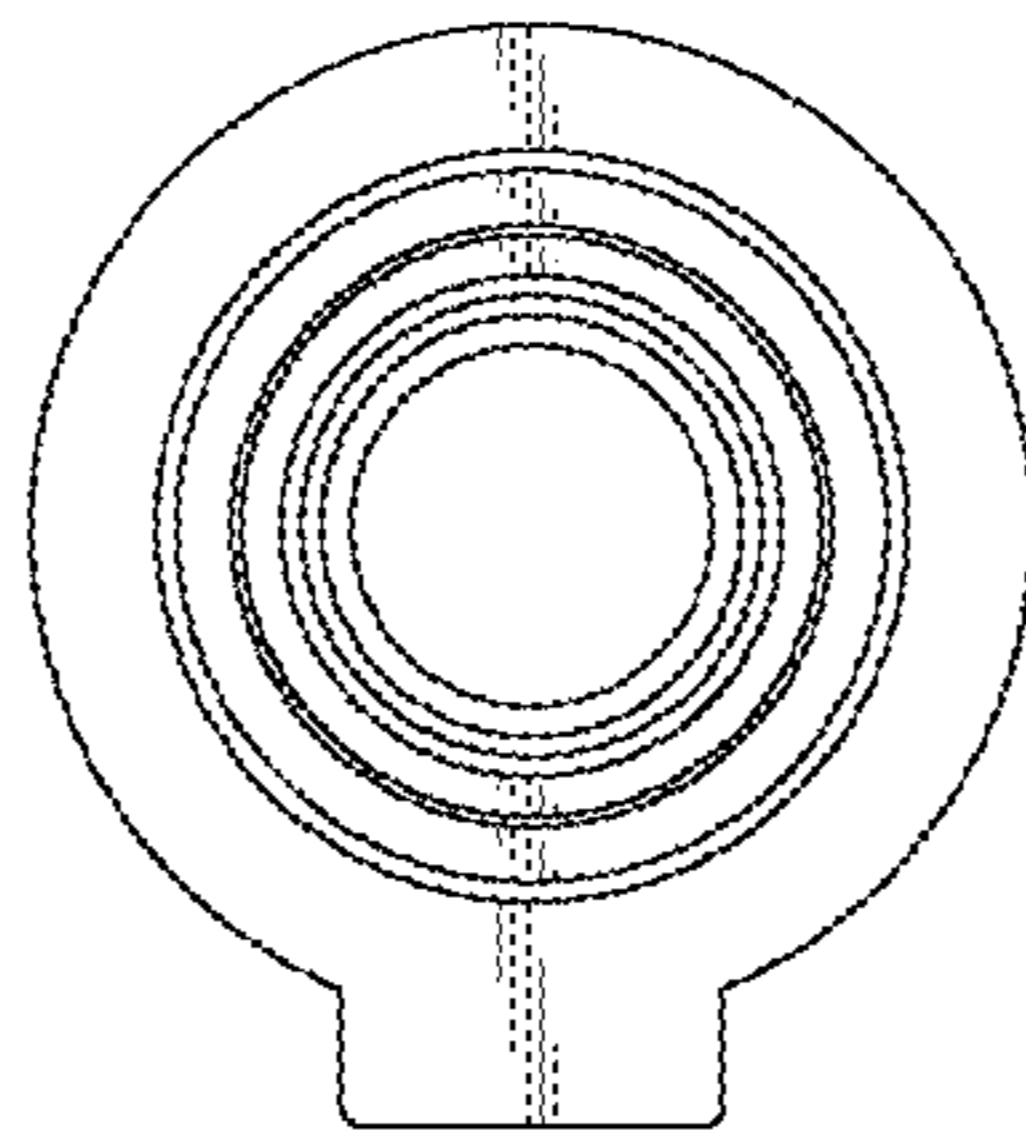


Fig. 7

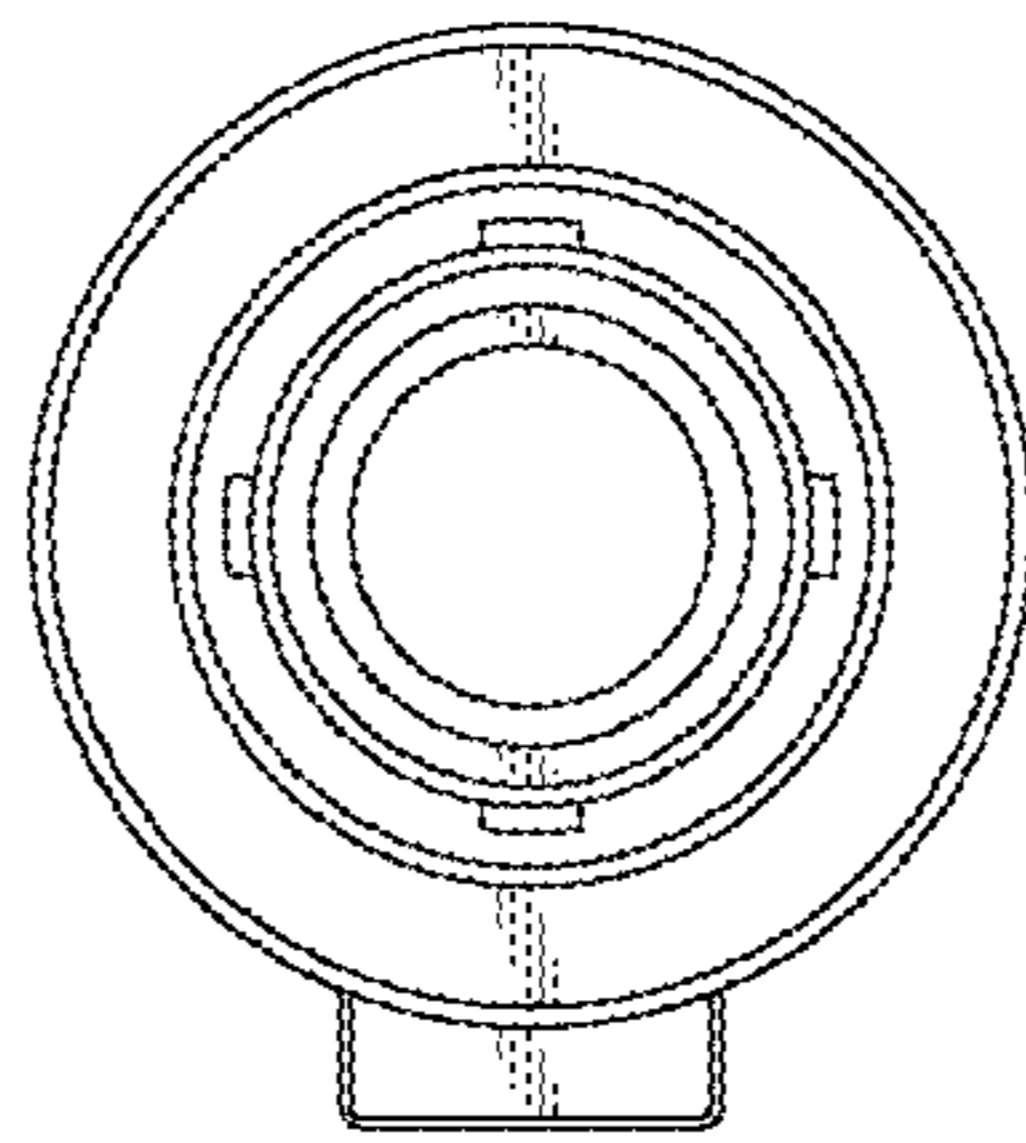


Fig. 8

UNITED STATES PATENT AND TRADEMARK OFFICE
CERTIFICATE OF CORRECTION

PATENT NO. : D948,441 S
APPLICATION NO. : 29/757170
DATED : April 12, 2022
INVENTOR(S) : Ryutaro Takano and Kohei Kai

Page 1 of 1

It is certified that error appears in the above-identified patent and that said Letters Patent is hereby corrected as shown below:

On the Title Page

Column 1, Insert:

--Foreign Application Priority Data

Jun. 17, 2020 (JP) 2020-012021 D--

Signed and Sealed this
Thirtieth Day of August, 2022
Katherine Kelly Vidal

Katherine Kelly Vidal
Director of the United States Patent and Trademark Office

UNITED STATES PATENT AND TRADEMARK OFFICE
CERTIFICATE OF CORRECTION

PATENT NO. : D948,441 S
APPLICATION NO. : 29/757170
DATED : April 12, 2022
INVENTOR(S) : Ryutaro Takano and Kohei Kai

Page 1 of 1

It is certified that error appears in the above-identified patent and that said Letters Patent is hereby corrected as shown below:

This certificate supersedes the Certificate of Correction issued on August 13, 2022. The certificate which issued on August 13, 2022 is vacated because the certificate issued without prior approval of the required petition for the delayed priority claim to the title page of U.S. Patent No. D948,441 S. The Certificate of Correction which issued on August 13, 2022 was published in error and should not have been issued for this patent.

Signed and Sealed this
Twenty-first Day of February, 2023
Katherine Kelly Vidal

Katherine Kelly Vidal
Director of the United States Patent and Trademark Office

UNITED STATES PATENT AND TRADEMARK OFFICE
CERTIFICATE OF CORRECTION

PATENT NO. : D948,441 S
APPLICATION NO. : 29/757170
DATED : April 12, 2022
INVENTOR(S) : Ryutaro Takano and Kohei Kai

Page 1 of 1

It is certified that error appears in the above-identified patent and that said Letters Patent is hereby corrected as shown below:

On the Title Page

Insert:

--Foreign-Application Priority Data
Jun. 17, 2020 (JP) 2020-012021 D--

Signed and Sealed this
Twentieth Day of June, 2023
Katherine Kelly Vidal

Katherine Kelly Vidal
Director of the United States Patent and Trademark Office