



US00D948440S

(12) **United States Design Patent**
Olwage et al.

(10) **Patent No.:** **US D948,440 S**

(45) **Date of Patent:** **** Apr. 12, 2022**

(54) **CONNECTOR**

12/592; H01R 12/61; H01R 12/616;
H01R 12/63; H01R 12/70;

(71) Applicant: **DETNET SOUTH AFRICA (PTY) LTD**, Sandton (ZA)

(Continued)

(72) Inventors: **Philip Olwage**, Sandton (ZA); **Marius Christo Botha**, Sandton (ZA); **Chris Beukes**, Sandton (ZA)

(56) **References Cited**

U.S. PATENT DOCUMENTS

5,100,332 A * 3/1992 Egawa H05K 7/1023
439/331

D375,083 S * 10/1996 Nakamura D13/156

(Continued)

(73) Assignee: **DETNET SOUTH AFRICA (PTY) LTD.**, Sandton (ZA)

(**) Term: **15 Years**

Primary Examiner — Rosemary K Tarcza

Assistant Examiner — Seth David Kumpf

(21) Appl. No.: **29/729,730**

(74) *Attorney, Agent, or Firm* — Tutunjian & Bitetto, P.C.

(22) Filed: **Mar. 30, 2020**

(30) **Foreign Application Priority Data**

Oct. 7, 2019 (ZA) F2019/01491

(51) **LOC (13) Cl.** **13-03**

(52) **U.S. Cl.**

USPC **D13/133**

(58) **Field of Classification Search**

USPC D13/120, 121, 133, 146, 147, 153, 199,
D13/154, 156, 184; D14/432, 433, 434,
D14/435.1, 438

CPC .. H01R 13/506; H01R 13/516; H01R 13/518;
H01R 13/58; H01R 13/627; H01R
13/6315; H01R 13/00; H01R 13/24;
H01R 13/26; H01R 13/28; H01R 13/508;
H01R 13/523; H01R 13/585; H01R
13/6271; H01R 13/6275; H01R 13/635;
H01R 13/639; H01R 13/64; H01R
13/642; H01R 13/6453; H01R 13/6474;
H01R 13/6581; H01R 13/6582; H01R
13/6586; H01R 13/6587; H01R 13/6588;
H01R 13/659; H01R 13/6591; H01R
13/6594; H01R 13/6595; H01R 13/6597;
H01R 13/66; H01R 13/6658; H01R
24/00; H01R 24/60; H01R 24/62; H01R
24/64; H01R 12/51; H01R 12/52; H01R
12/55; H01R 12/57; H01R 12/58; H01R

(57) **CLAIM**

The ornamental design for a connector, as shown and described.

DESCRIPTION

FIG. 1 is a top perspective view of the connector showing our new design;

FIG. 2 is a bottom view thereof;

FIG. 3 is a top view thereof;

FIG. 4 is a side view thereof;

FIG. 5 is an end view from a first end thereof;

FIG. 6 is an opposing end view thereof;

FIG. 7 is a perspective view of the connector of FIG. 1 in an open configuration;

FIG. 8 is a top view of connector of FIG. 7;

FIG. 9 is a bottom view of the connector of FIG. 7;

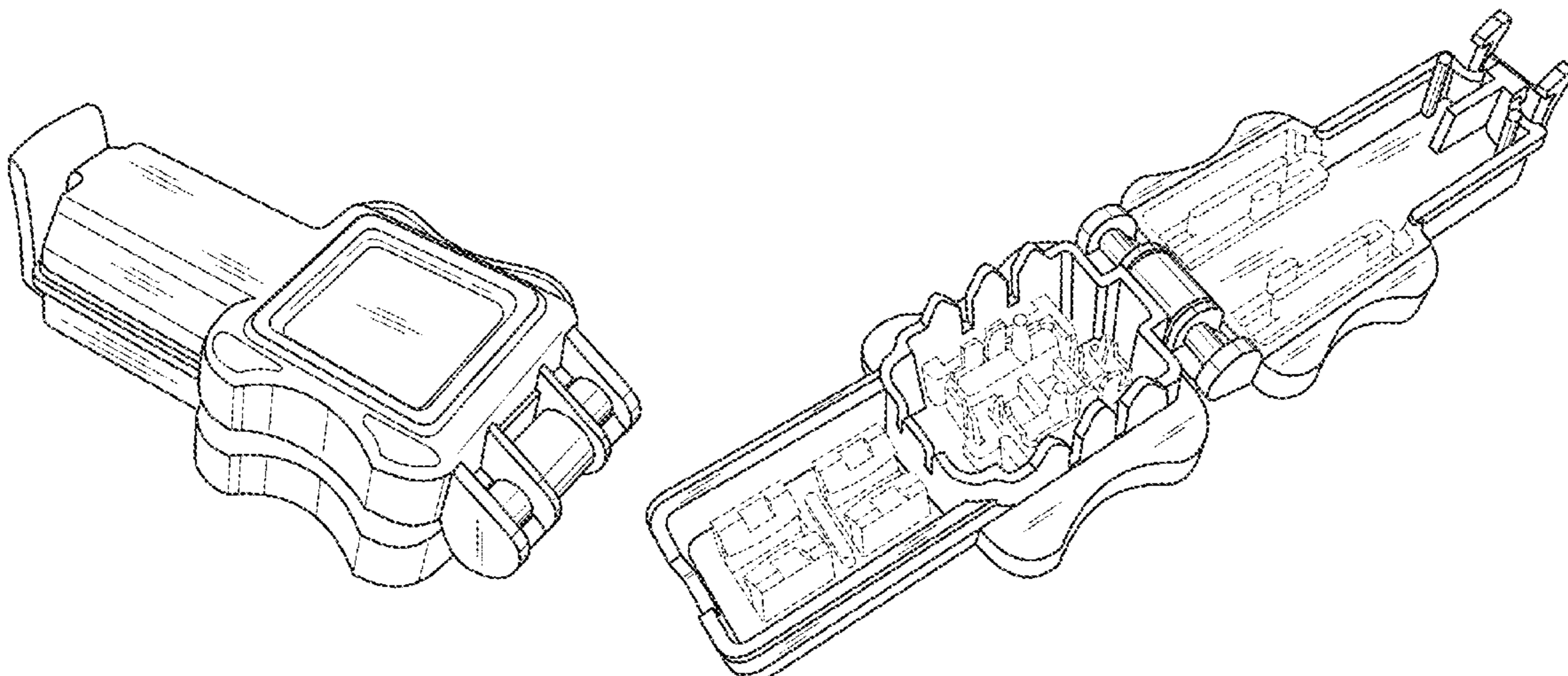
FIG. 10 is a side view of the connector of FIG. 7;

FIG. 11 is an end view from a first end of the connector of FIG. 7; and,

FIG. 12 is a view from a second end of the connector of FIG. 7.

The broken lines in the drawings are for purposes of illustrating portions of the connectors that form no part of the claimed design.

1 Claim, 3 Drawing Sheets



(58) **Field of Classification Search**

CPC H01R 12/7005; H01R 12/7076; H01R
12/71; H01R 12/714; H01R 12/716;
H01R 12/718; H01R 12/72; H01R 12/73;
H01R 12/737; H01R 12/777; H01R
12/778; H01R 12/79; H01R 4/242

See application file for complete search history.

(56) **References Cited**

U.S. PATENT DOCUMENTS

D385,256 S * 10/1997 Nakamura D13/156
D595,238 S * 6/2009 Vigorito D13/156
D605,143 S * 12/2009 Von Arx H01R 13/5833
D13/123
D605,144 S * 12/2009 Von Arx H01R 12/88
D13/123
2005/0287862 A1* 12/2005 Castaldo H01R 13/5833
439/409
2007/0249207 A1* 10/2007 Yeh H01R 12/88
439/281

* cited by examiner

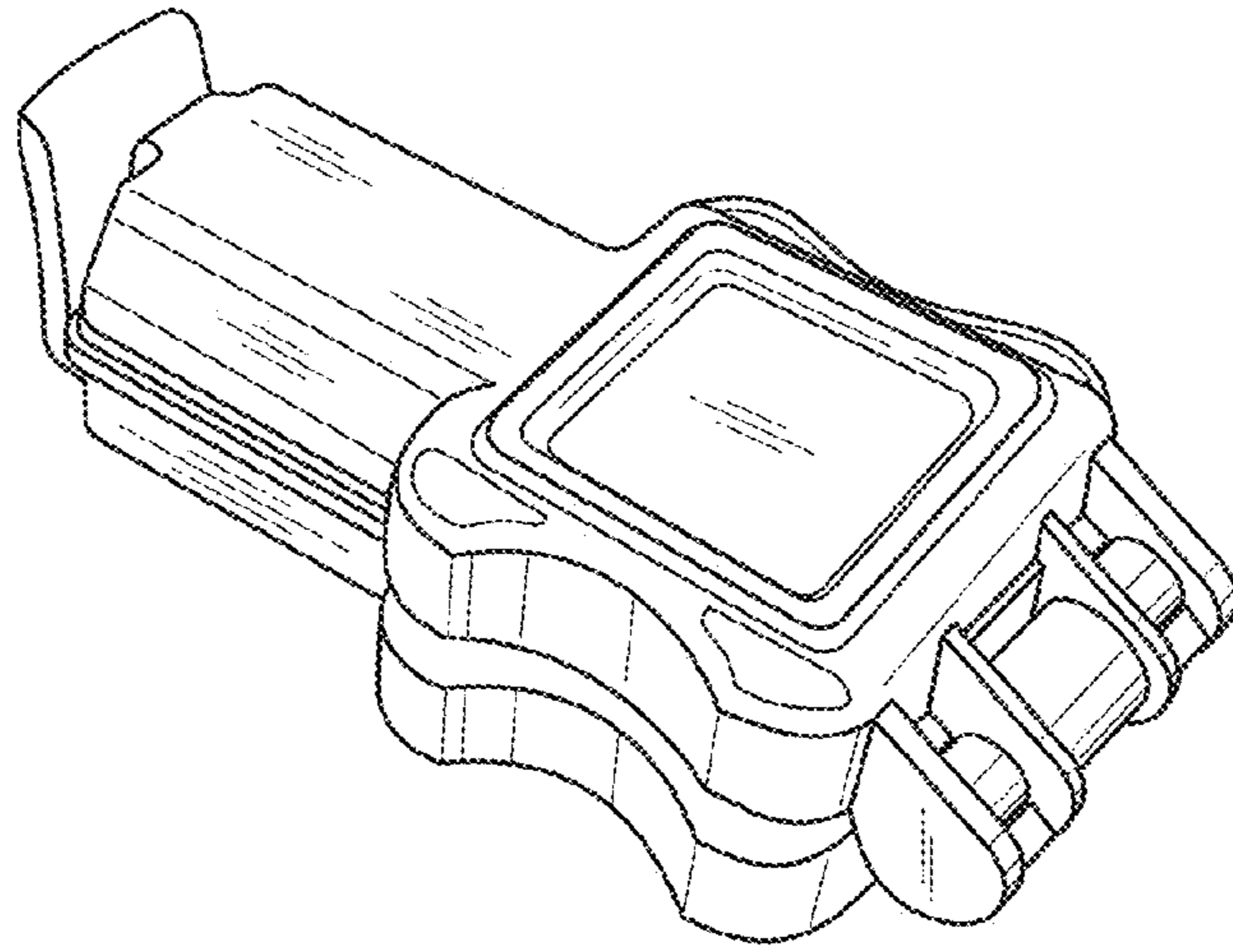


FIG. 1

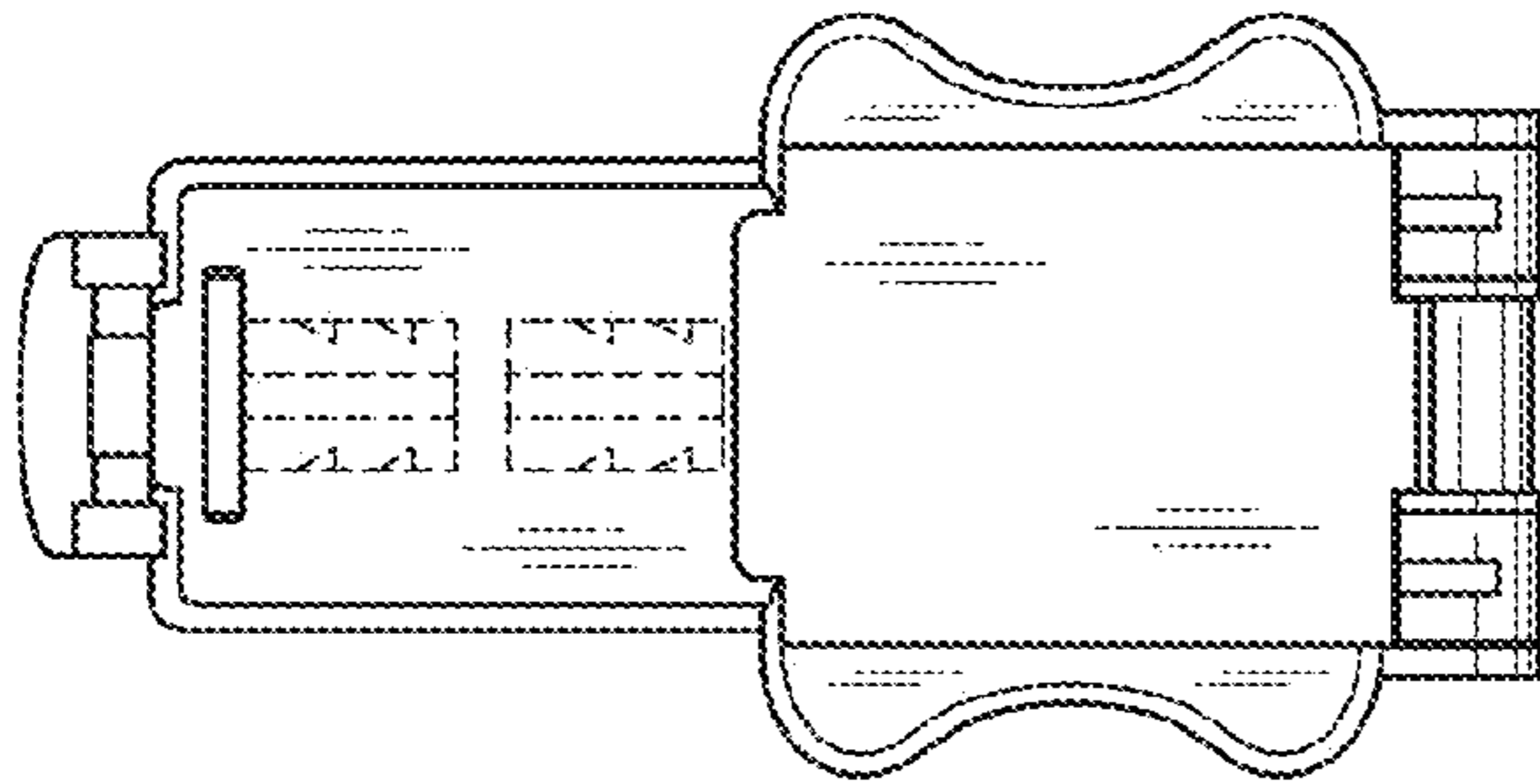


FIG. 2

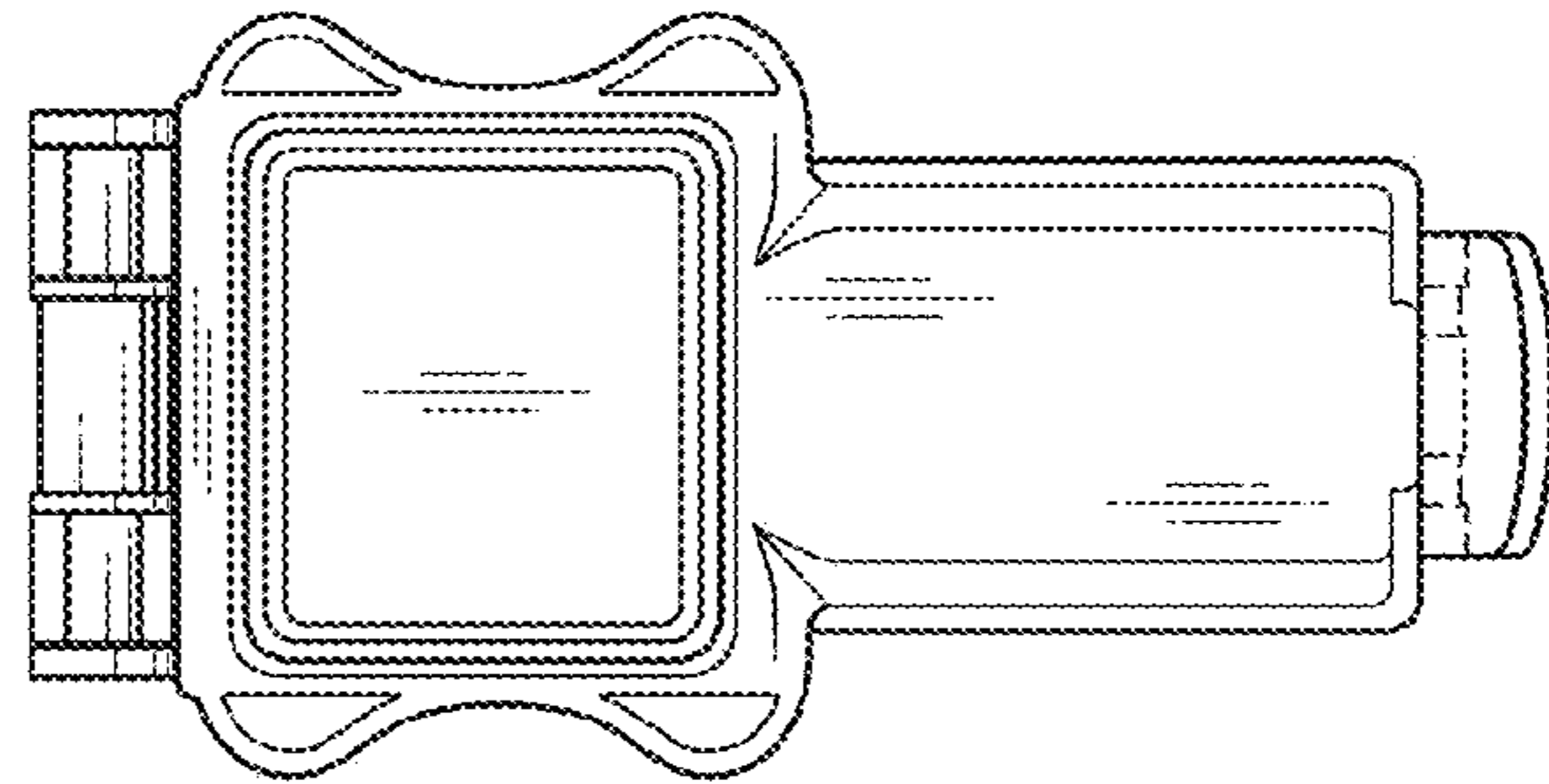


FIG. 3

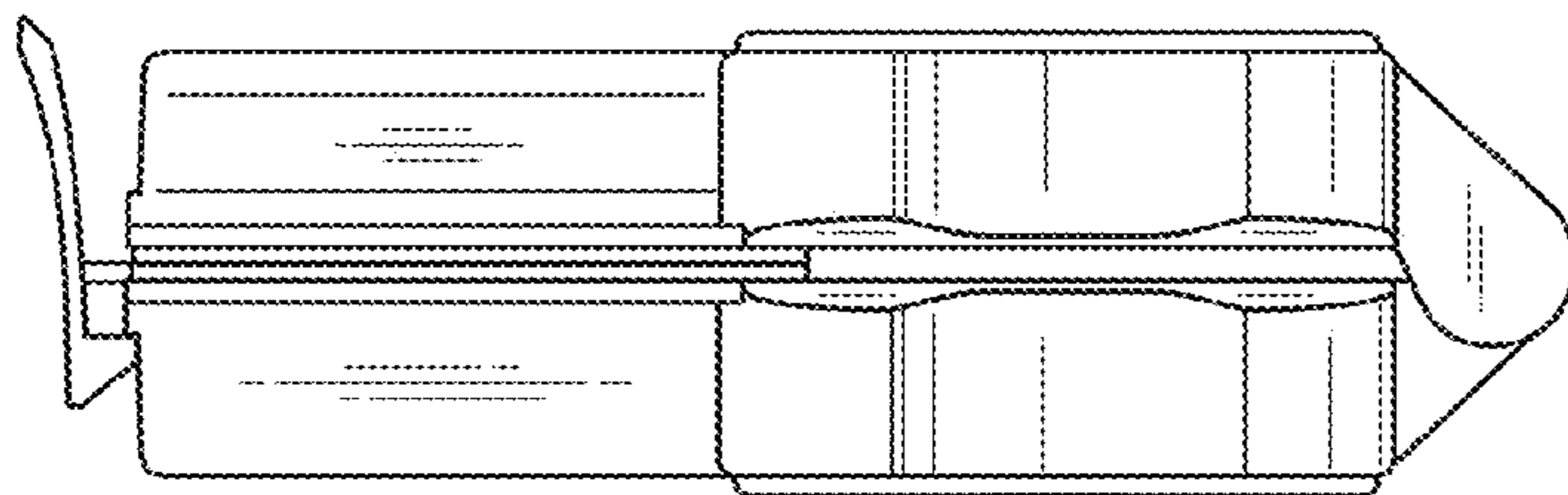


FIG. 4

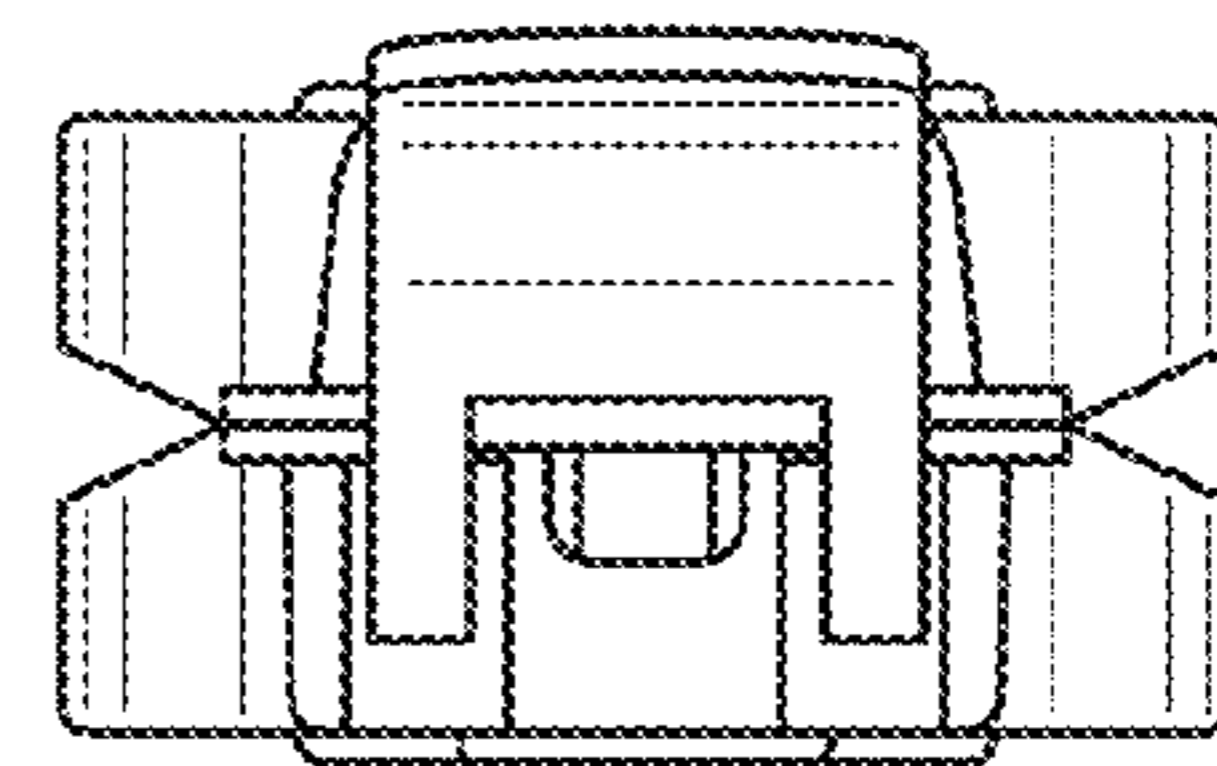


FIG. 5

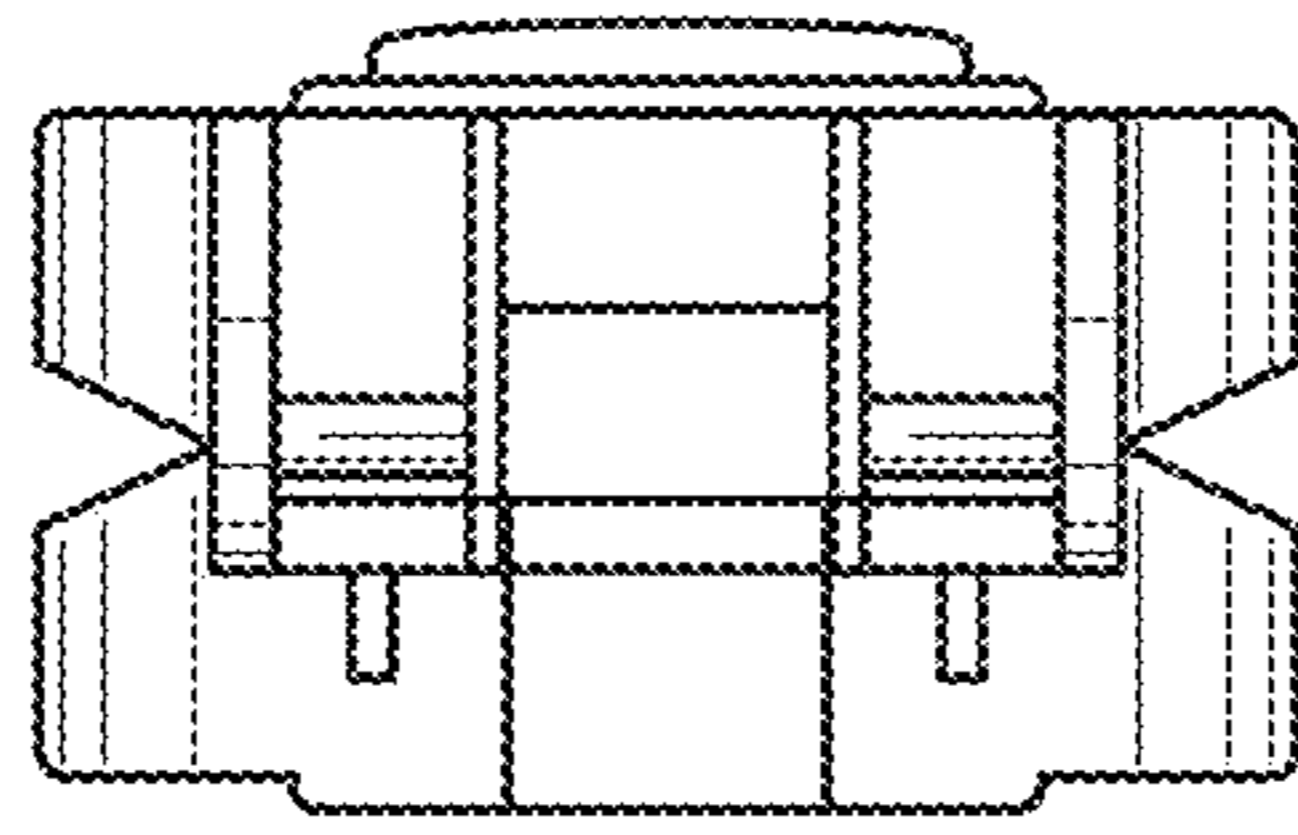


FIG. 6

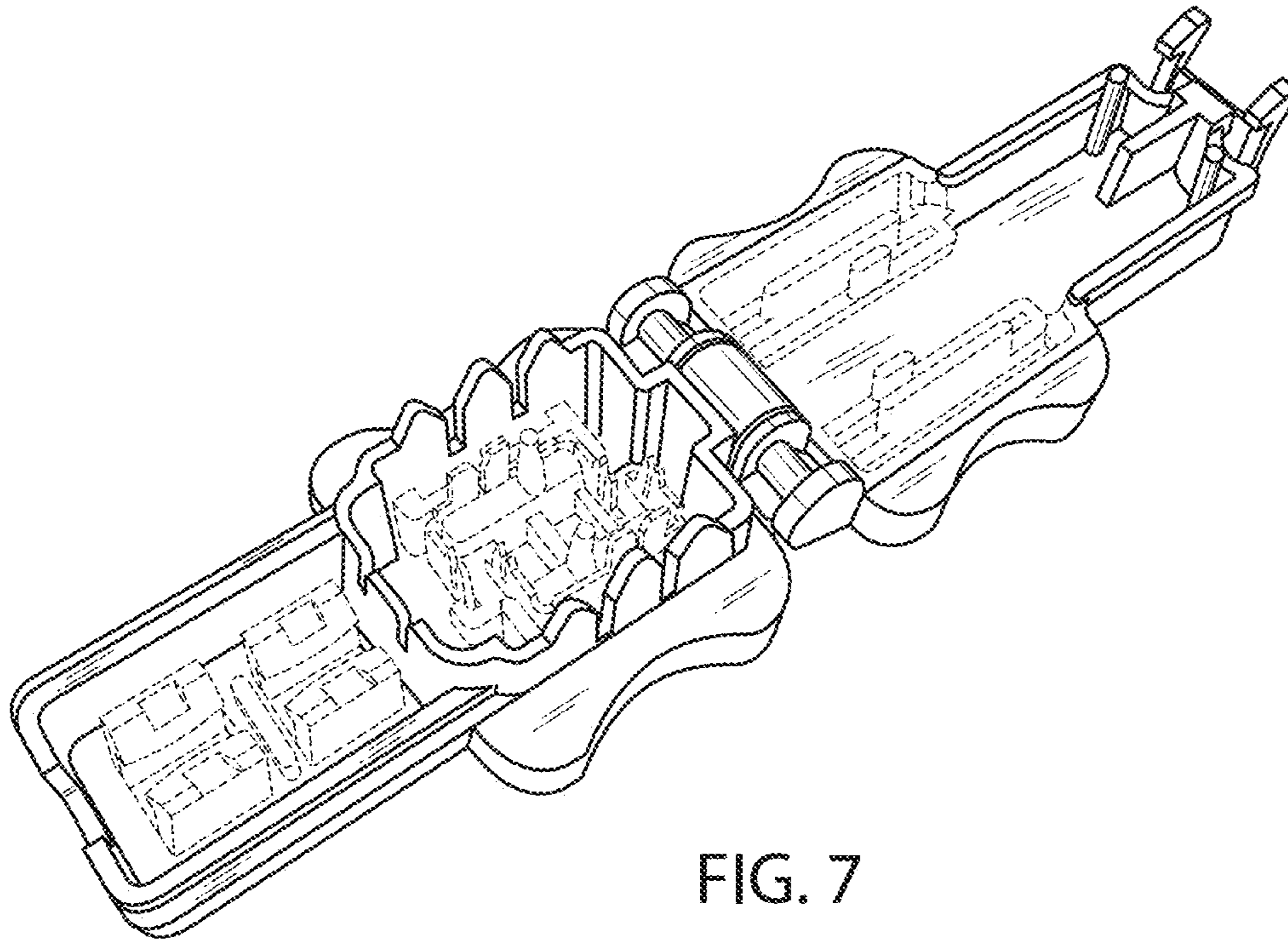


FIG. 7

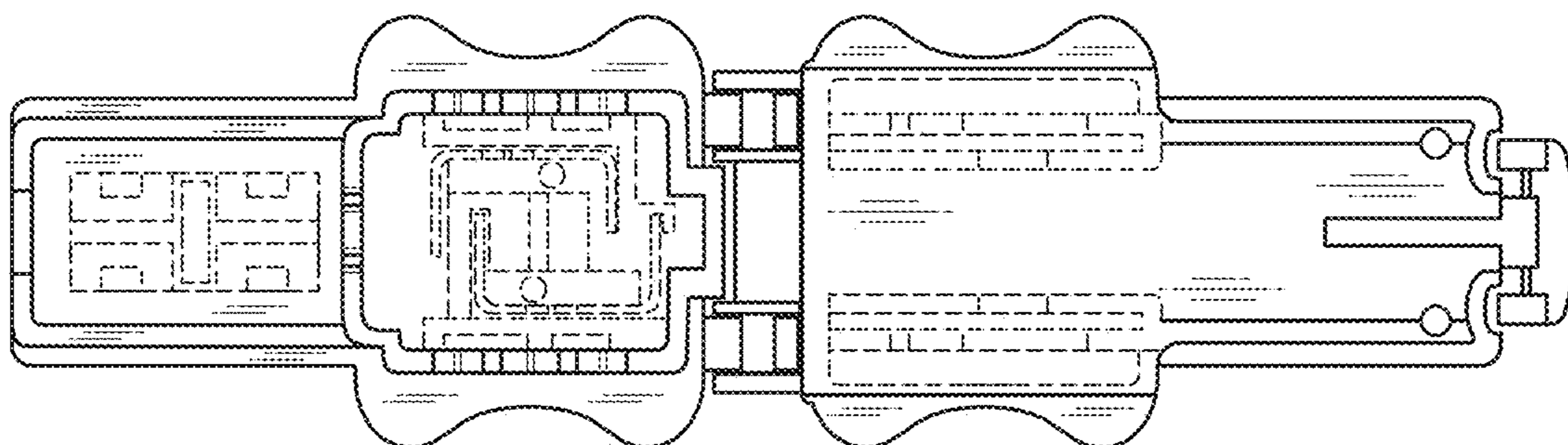


FIG. 8

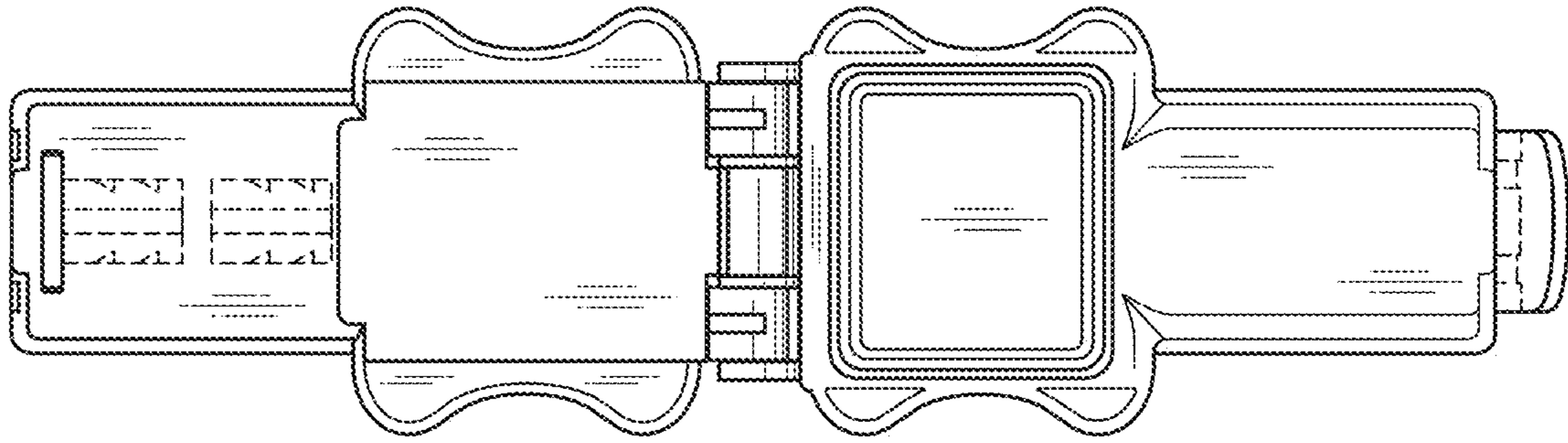


FIG. 9

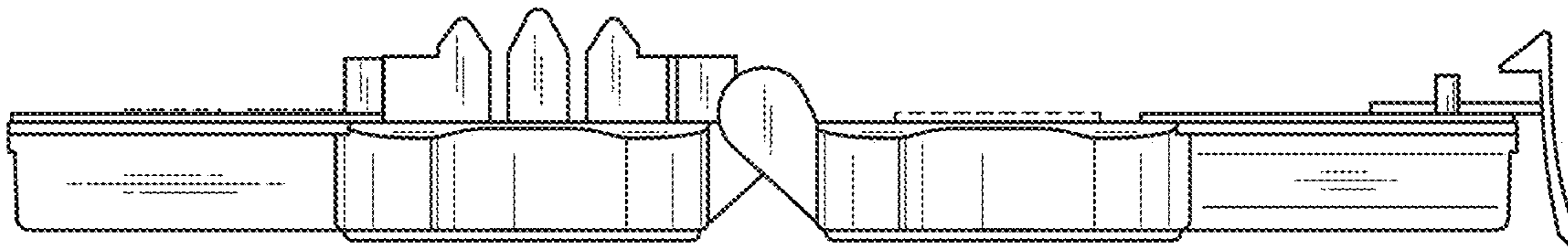


FIG. 10

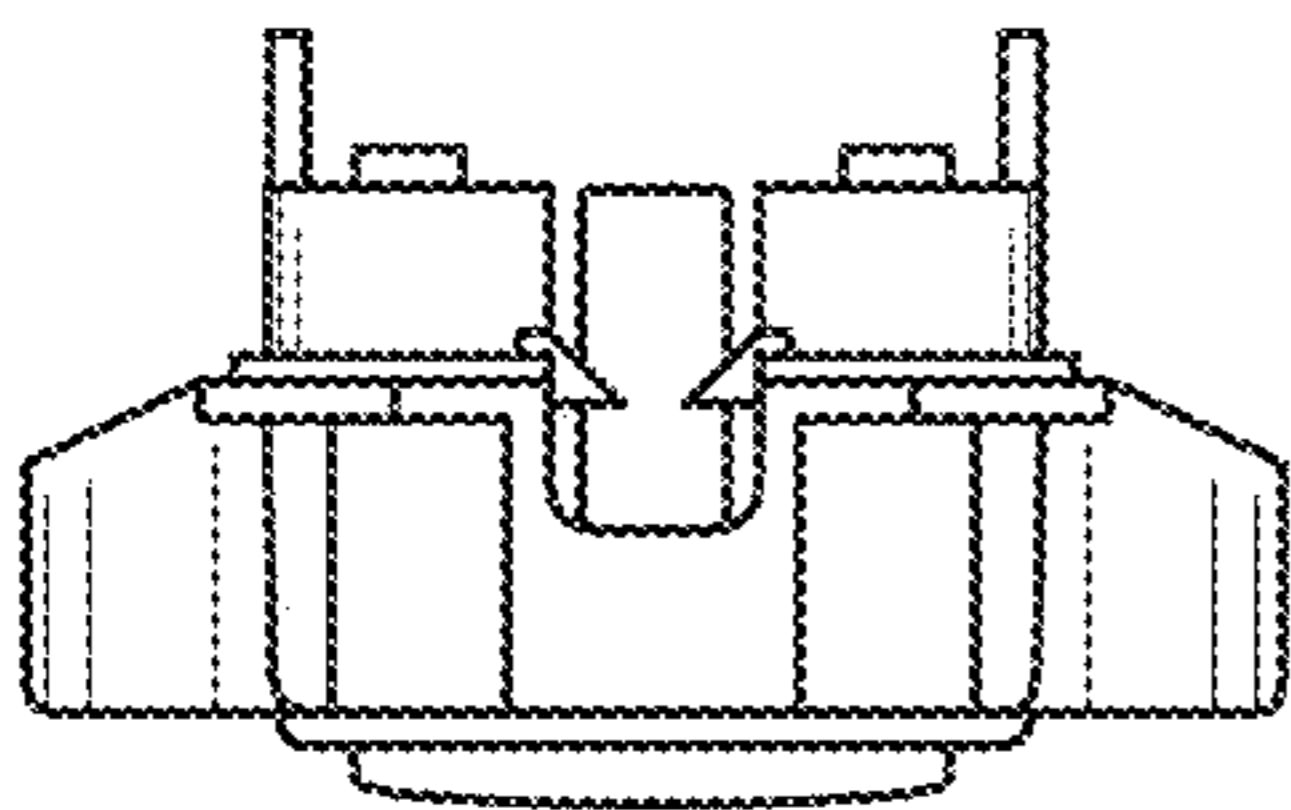


FIG. 11

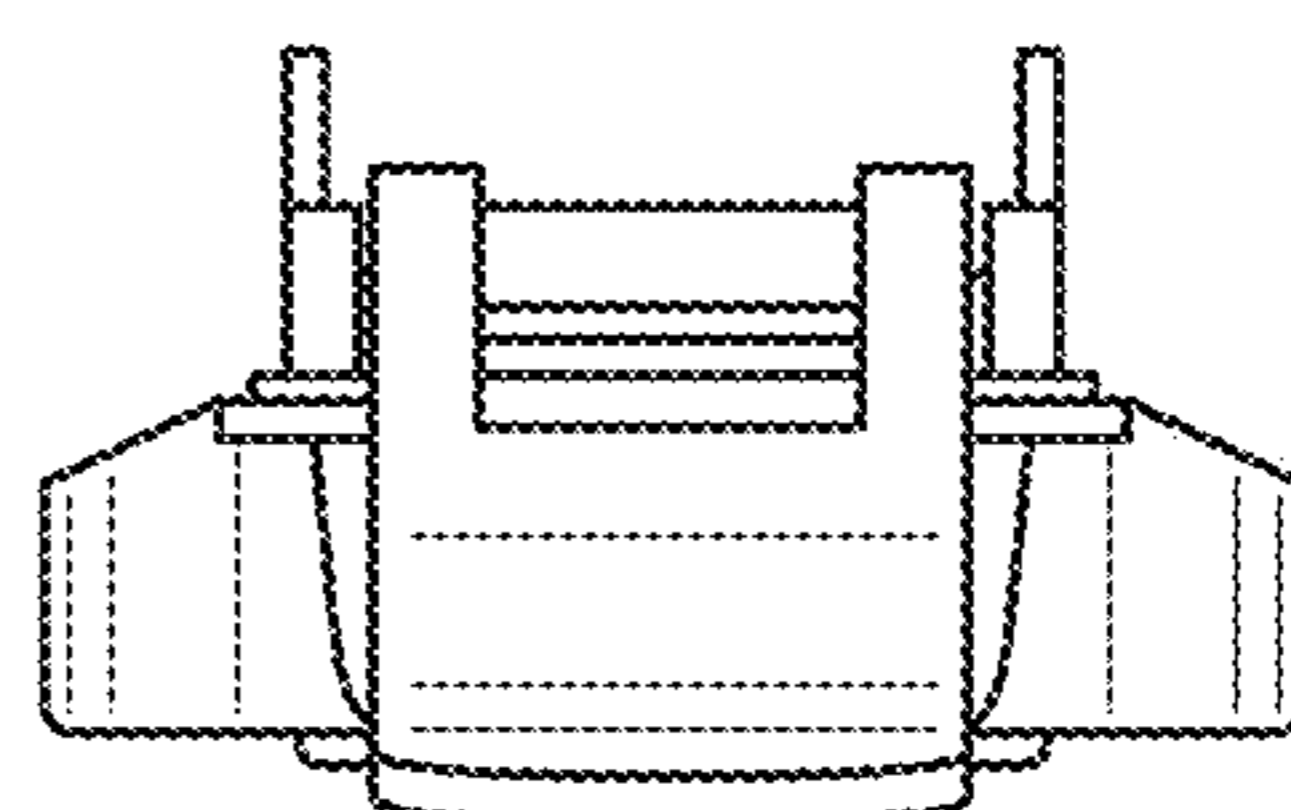


FIG. 12