



US00D948439S

(12) **United States Design Patent** (10) **Patent No.:** **US D948,439 S**
Cruice et al. (45) **Date of Patent:** **** Apr. 12, 2022**

(54) **ELECTRICAL CONNECTOR FOR CONNECTING WITH AN ELECTRICAL DEVICE**

(71) Applicant: **Nicoventures Trading Limited**, London (GB)

(72) Inventors: **Anthony Cruice**, London (GB); **Ainsley Cox**, London (GB)

(73) Assignee: **Nicoventures Trading Limited**, London (GB)

(**) Term: **15 Years**

(21) Appl. No.: **29/718,080**

(22) Filed: **Dec. 20, 2019**

(30) **Foreign Application Priority Data**

Jun. 21, 2019 (EM) 006589719
Aug. 8, 2019 (EM) 006692109

(51) **LOC (13) Cl.** **13-03**

(52) **U.S. Cl.**
USPC **D13/133**

(58) **Field of Classification Search**
USPC D13/108, 110, 118, 120, 123, 133, 146,
D13/147, 149, 151, 153, 154, 173, 184,
D13/199; D14/433

(Continued)

(56) **References Cited**

U.S. PATENT DOCUMENTS

D609,184 S * 2/2010 Liu D13/147
D630,592 S 1/2011 Matsuoka

(Continued)

FOREIGN PATENT DOCUMENTS

EM 001761719-0002 9/2010
KR 30-1033407 11/2019

OTHER PUBLICATIONS

Vype & House Of Holland Reveal Exclusive Collaboration, dated Oct. 19, 2018, [online], [site visited May 3, 2021]. Available from Internet, URL: <https://entertainment-focus.com/2018/10/19/vype-house-of-holland-reveal-exclusive-collaboration/> (Year: 2018).*

(Continued)

Primary Examiner — Shawn T Gingrich

(74) *Attorney, Agent, or Firm* — Patterson Thuent Pedersen, P.A.

(57) **CLAIM**

We claim the ornamental design for an electrical connector for connecting with an electrical device, as shown and described.

DESCRIPTION

FIG. 1 is a top perspective view of an electrical connector for connecting with an electrical device.

FIG. 2 is a front elevational view of the electrical connector for connecting with an electrical device depicted in FIG. 1.

FIG. 3 is a rear elevational view of the electrical connector for connecting with an electrical device depicted in FIG. 1.

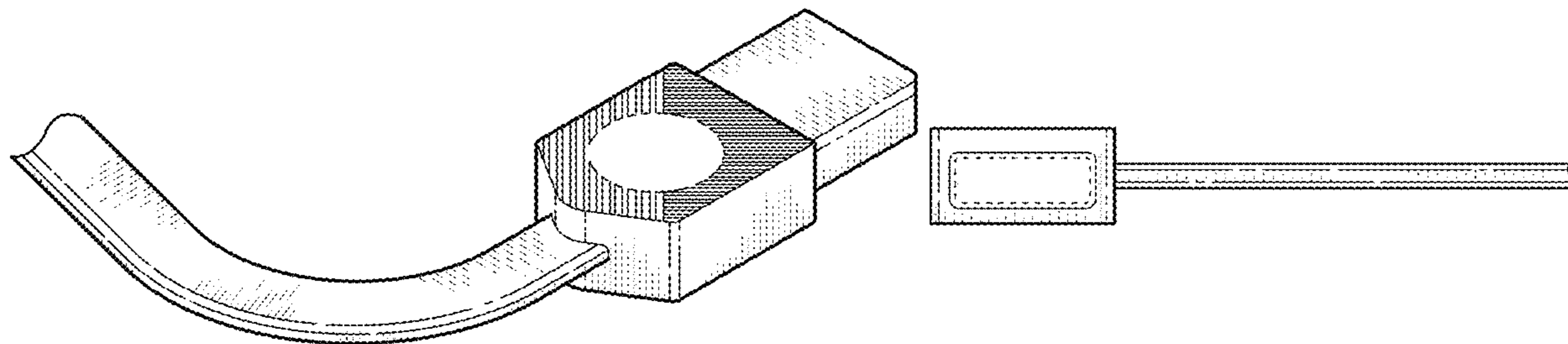
FIG. 4 is a right side elevational view of the electrical connector for connecting with an electrical device depicted in FIG. 1.

FIG. 5 is a left side elevational view of the electrical connector for connecting with an electrical device depicted in FIG. 1.

FIG. 6 is a top plan view of the electrical connector for connecting with an electrical device depicted in FIG. 1; and, FIG. 7 is a bottom plan view of the electrical connector for connecting with an electrical device depicted in FIG. 1.

The wavy line at the end of the cable represents a symbolic break in length. The appearance of any portion of the article beyond the break line forms no part of the claimed design. The broken lines in the drawings illustrate portions of the electrical connector for connecting with an electrical device that form no part of the claimed design.

1 Claim, 6 Drawing Sheets



(58) **Field of Classification Search**

CPC G06F 13/40; G06F 13/42; H01R 12/00;
 H01R 13/00; H01R 13/02; H01R 13/516;
 H01R 13/627; H01R 13/629; H01R
 13/6581; H01R 24/00; H01R 24/60

See application file for complete search history.

2007/0008928	A1	1/2007	Kezys	
2009/0010222	A1	1/2009	Jechoux	
2009/0215438	A1	8/2009	Mittal et al.	
2013/0324125	A1	12/2013	Bachmann et al.	
2014/0177600	A1	6/2014	Tsai et al.	
2015/0214670	A1*	7/2015	Di	H01R 13/506 439/607.55

(56) **References Cited**

U.S. PATENT DOCUMENTS

D680,076	S *	4/2013	McManigal	D13/147
D714,226	S *	9/2014	Chang	D13/147
D730,833	S *	6/2015	Lewis, Jr.	D13/133
D737,206	S *	8/2015	Lewis, Jr.	D13/133
D770,974	S *	11/2016	Dentzel	D13/108
D823,260	S *	7/2018	Petersen	D13/153
D823,812	S *	7/2018	Hsieh	D13/153
D898,032	S *	10/2020	Yuan	D14/433
D904,985	S *	12/2020	Spiegel	D13/153
D935,419	S *	11/2021	Beck	D13/153
2005/0106938	A1*	5/2005	Nishio	H01R 13/6598 439/607.01
2005/0250369	A1*	11/2005	Ferderer	H01R 13/627 439/352

2015/0282013	A1	10/2015	Kim et al.
2016/0165508	A1	6/2016	Jin
2016/0165518	A1	6/2016	Keller et al.
2016/0295385	A1	10/2016	Wang et al.

OTHER PUBLICATIONS

Application and File History for U.S. Appl. No. 29/718,076, filed Dec. 20, 2019, Inventors: Anthony Cruice et al.
 Application and File History for U.S. Appl. No. 29/718,084, filed Dec. 20, 2019; Inventors: Anthony Cruice et al.
 Application and File History for U.S. Appl. No. 29/718,090, filed Dec. 20, 2019, Inventors: Anthony Cruice et al.
 VIP Premium Vaping and E-Liquids, Vype The Car Holder, <https://www.vipelectroniccigarette.co.uk/vype-accessories/product/vype-the-car-holder>, as accessed on Aug. 16, 2021, 4 pages.

* cited by examiner

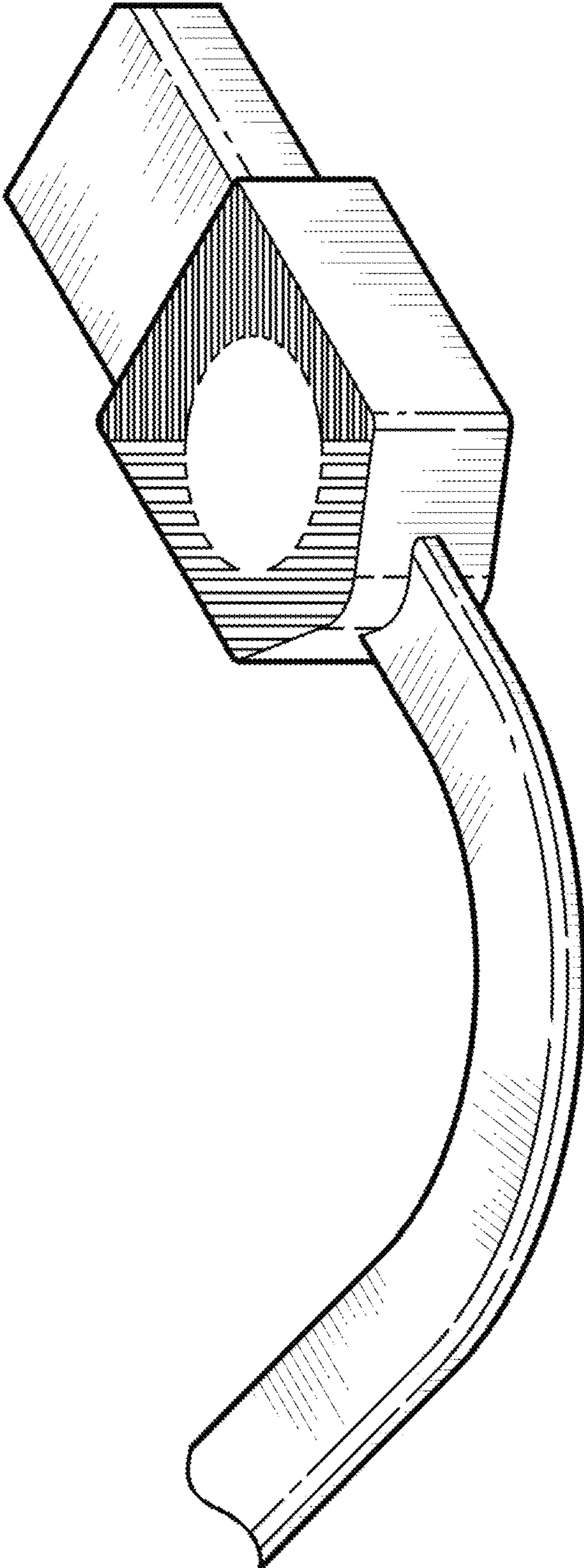


FIG. 1

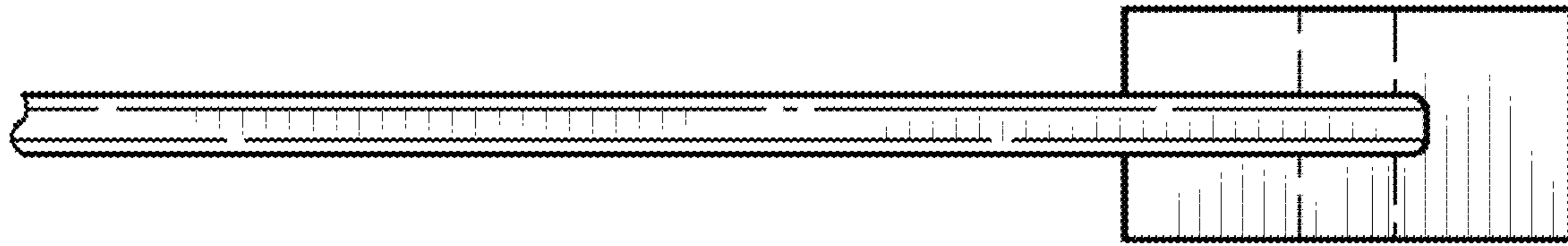


FIG . 2

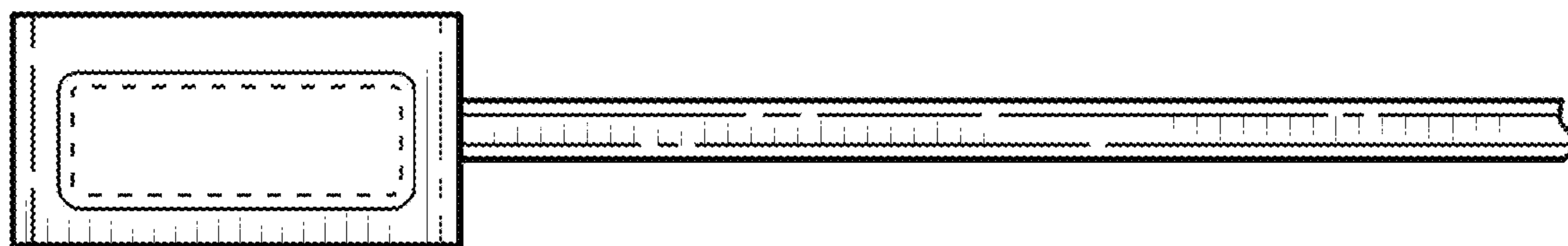


FIG . 3

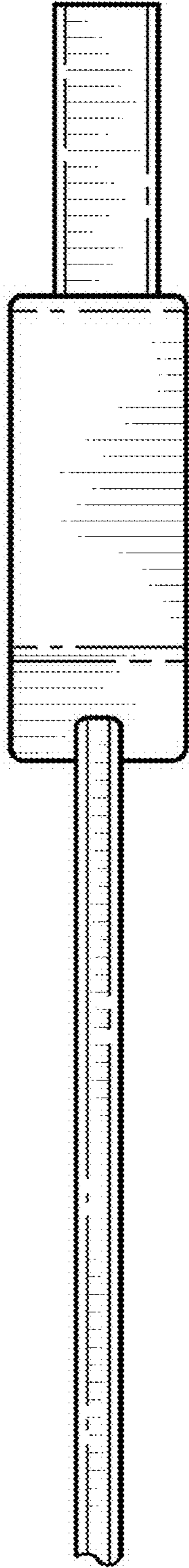


FIG. 4

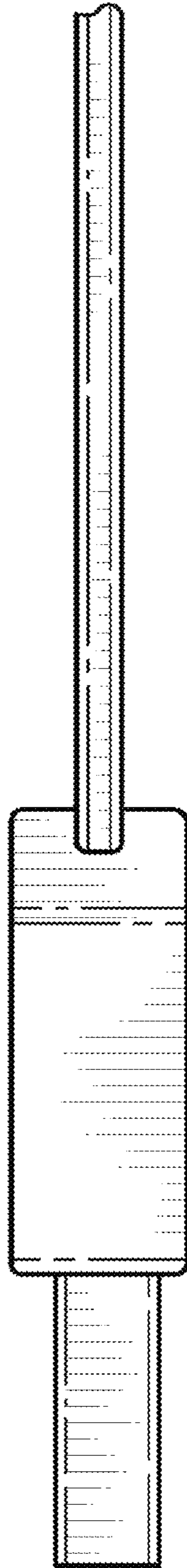


FIG . 5

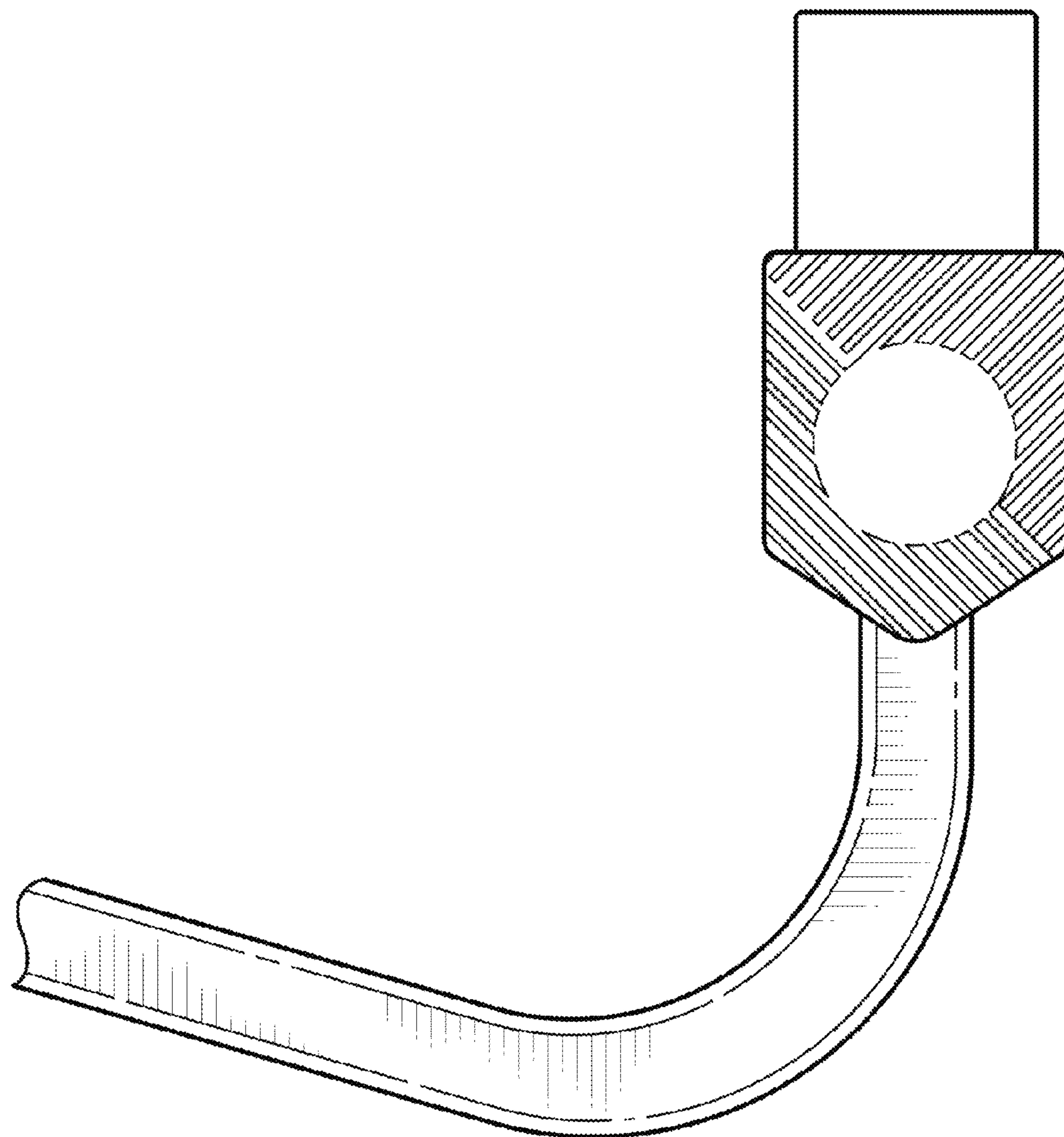


FIG . 6

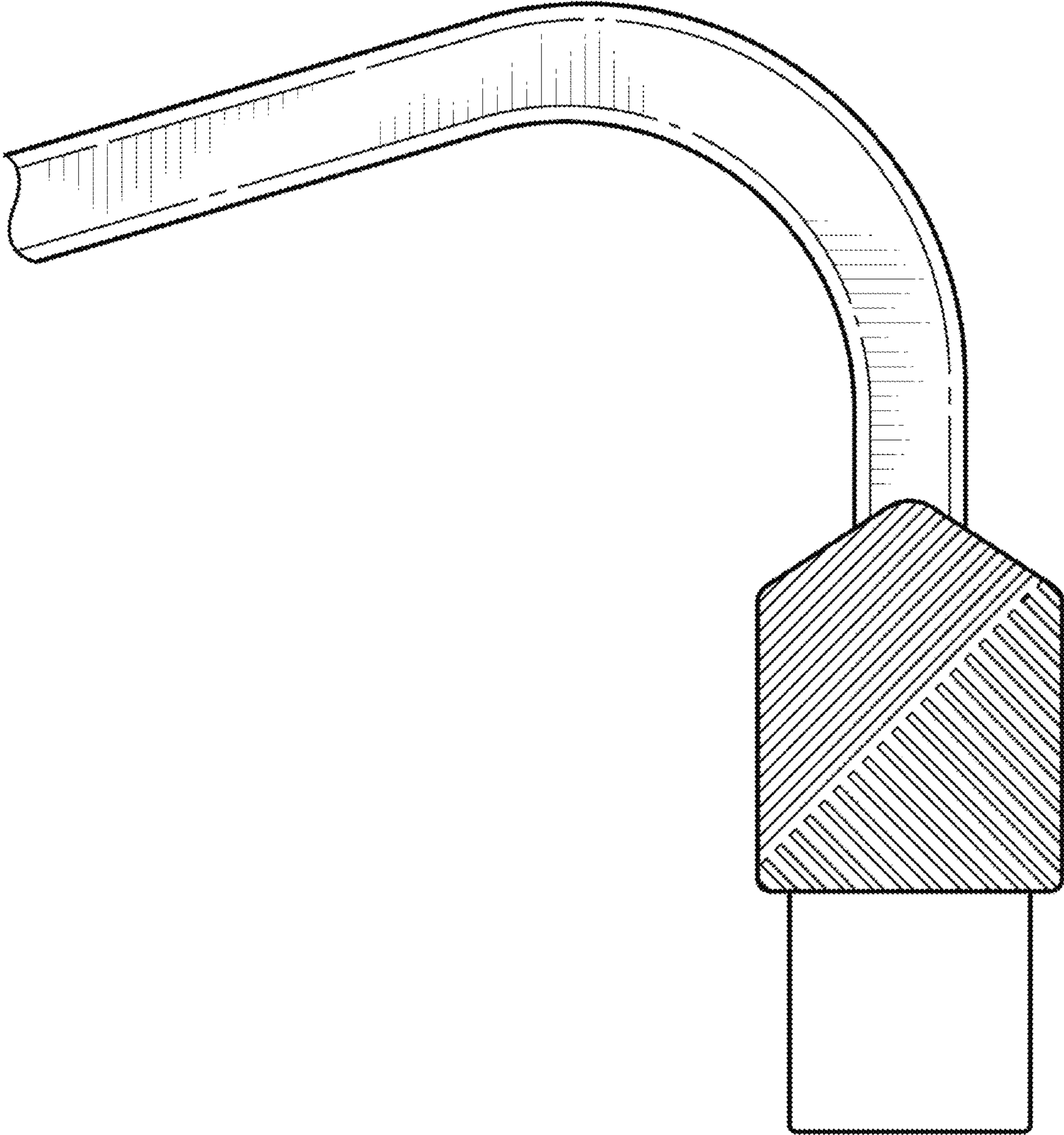


FIG . 7