



US00D948438S

(12) **United States Design Patent** (10) **Patent No.:** **US D948,438 S**
Miyamoto (45) **Date of Patent:** **** Apr. 12, 2022**

(54) **ELECTRICAL CONTACT**
(71) Applicant: **EBARA CORPORATION**, Tokyo (JP)
(72) Inventor: **Matsutaro Miyamoto**, Tokyo (JP)
(73) Assignee: **EBARA CORPORATION**, Tokyo (JP)
(**) Term: **15 Years**
(21) Appl. No.: **29/679,449**
(22) Filed: **Feb. 6, 2019**

Related U.S. Application Data

(62) Division of application No. 29/613,995, filed on Aug. 15, 2017, now abandoned, which is a division of application No. 29/533,317, filed on Jul. 16, 2015, now Pat. No. Des. 797,674.

Foreign Application Priority Data

(30) Jan. 20, 2015 (JP) 2015-000932
Jan. 20, 2015 (JP) 2015-000933

(51) **LOC (13) Cl.** **13-03**

(52) **U.S. Cl.**
USPC **D13/133**

(58) **Field of Classification Search**
USPC D8/16, 19; D13/199, 184, 154, 147, 146, D13/133
CPC C25D 17/005
See application file for complete search history.

(56) **References Cited**

U.S. PATENT DOCUMENTS

1,056,596 A 3/1913 Sidoli
D184,508 S 3/1959 Burt
D201,638 S 7/1965 Benburr et al.
D214,383 S 6/1969 Johnson
D220,241 S 3/1971 Steck

D296,547 S 7/1988 Sachs
D312,038 S 11/1990 Sachs
5,043,528 A 8/1991 Mohr
D361,713 S 8/1995 Grant
D457,405 S 5/2002 White
6,534,706 B1 3/2003 Rapp et al.
D486,365 S 2/2004 Altman
D493,080 S 7/2004 Altman
D511,278 S 11/2005 Carfagnini
D519,931 S 5/2006 Van Haaster
7,170,013 B2 1/2007 Lewis
D555,595 S 11/2007 Yahagi et al.
D556,027 S 11/2007 Cuzzocrea
D651,178 S 12/2011 Fujikata et al.
D669,439 S 10/2012 Fujikata et al.
D771,571 S * 11/2016 Miyamoto D13/154
D776,621 S * 1/2017 Miyamoto D13/154
D797,674 S 9/2017 Miyamoto
D884,640 S * 5/2020 Zhuang D13/133
D921,588 S * 6/2021 Chen D13/133
D925,454 S * 7/2021 Wrobel D13/133

(Continued)

Primary Examiner — Eliza Z Bennett-Hattan

(74) *Attorney, Agent, or Firm* — Pearne & Gordon LLP

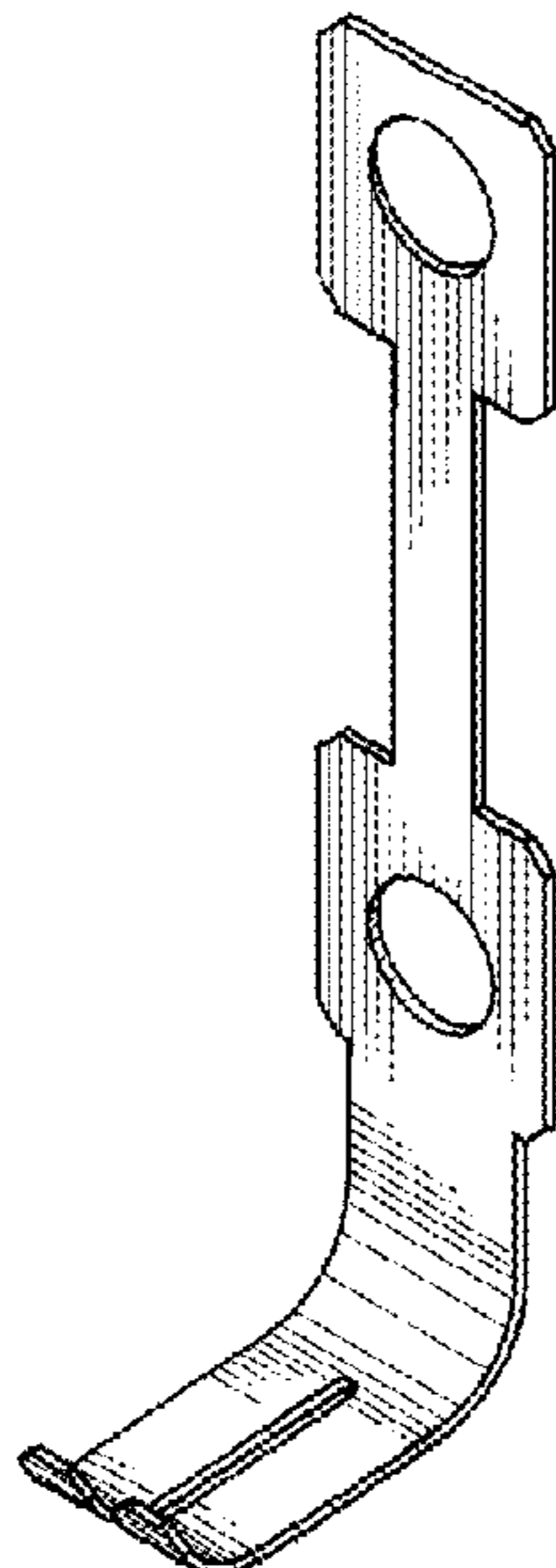
(57) **CLAIM**

The ornamental design for an electrical contact, as shown and described.

DESCRIPTION

FIG. 1 is a perspective view observed from a plan side of an electrical contact showing my new design;
FIG. 2 is a perspective view observed from a bottom side thereof;
FIG. 3 is a front view thereof;
FIG. 4 is a rear view thereof;
FIG. 5 is a plan view thereof;
FIG. 6 is a bottom view thereof;
FIG. 7 is a right side view thereof; and,
FIG. 8 is a left side view thereof.

1 Claim, 2 Drawing Sheets



(56)

References Cited

U.S. PATENT DOCUMENTS

D926,696 S *	8/2021	Jung	D13/133
D927,427 S *	8/2021	Ganamukhi	D13/133
D928,719 S *	8/2021	Shimoji	D13/147
D929,340 S *	8/2021	Zhuang	D13/133
D932,445 S *	10/2021	Ganamukhi	D13/154

* cited by examiner

FIG. 1

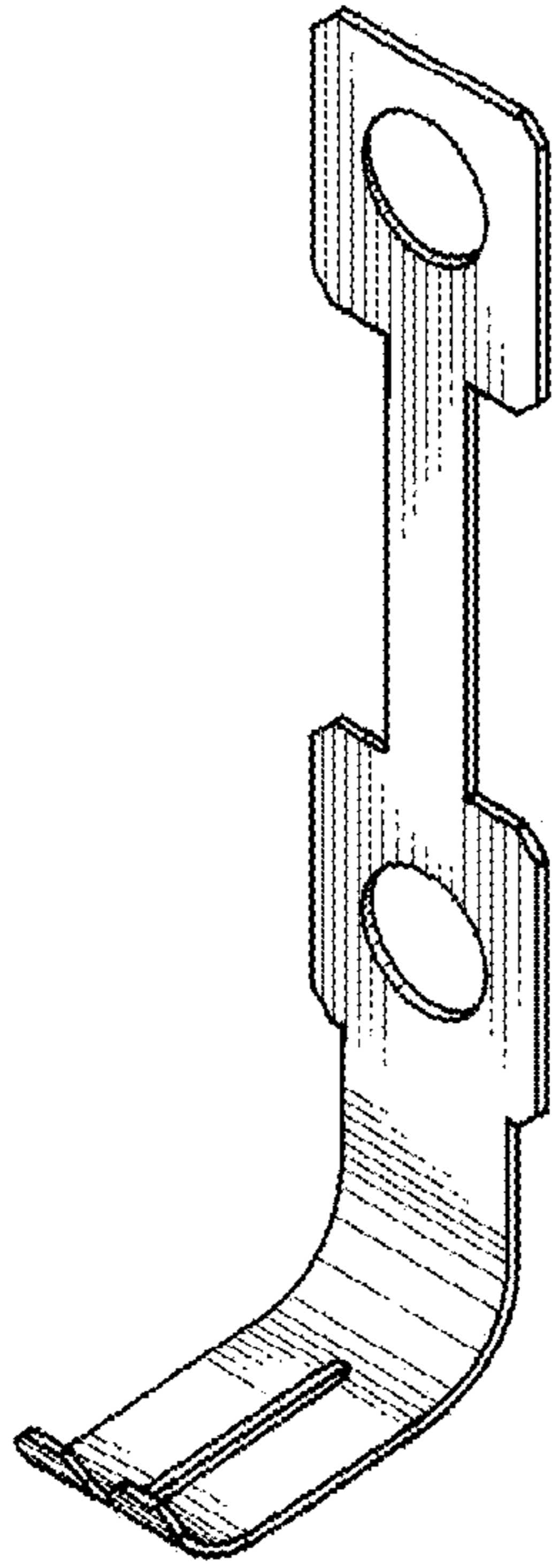


FIG. 2

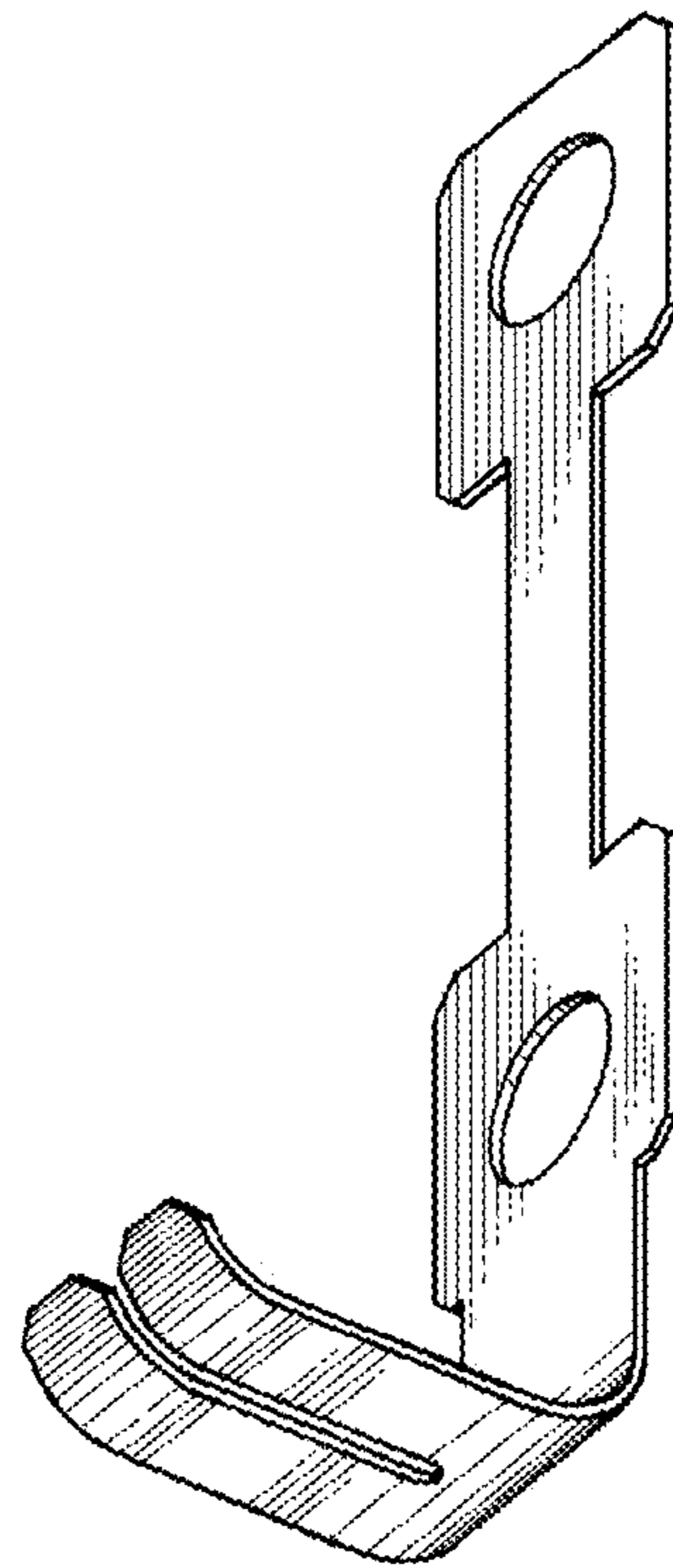


FIG. 3

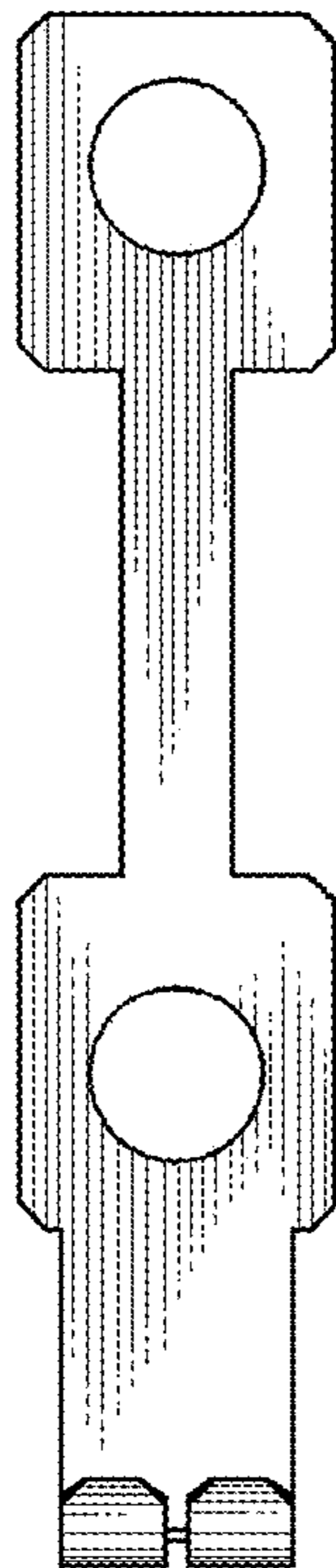


FIG. 4

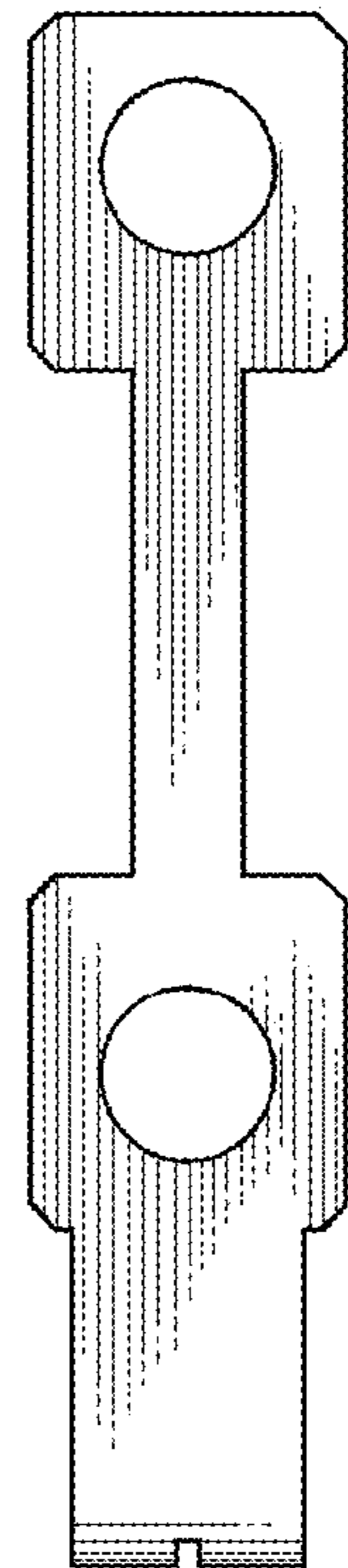


FIG.5

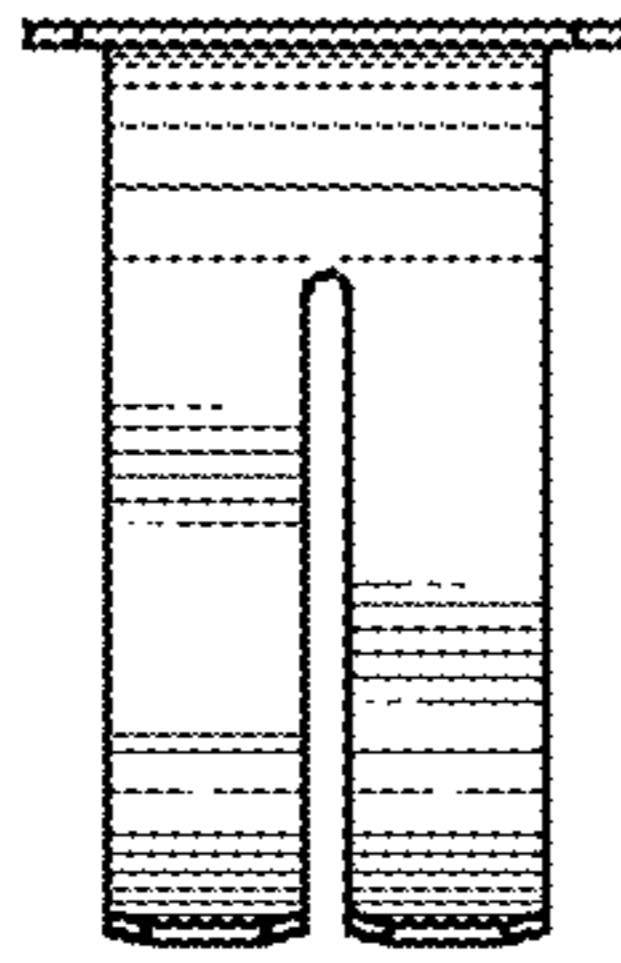


FIG.6

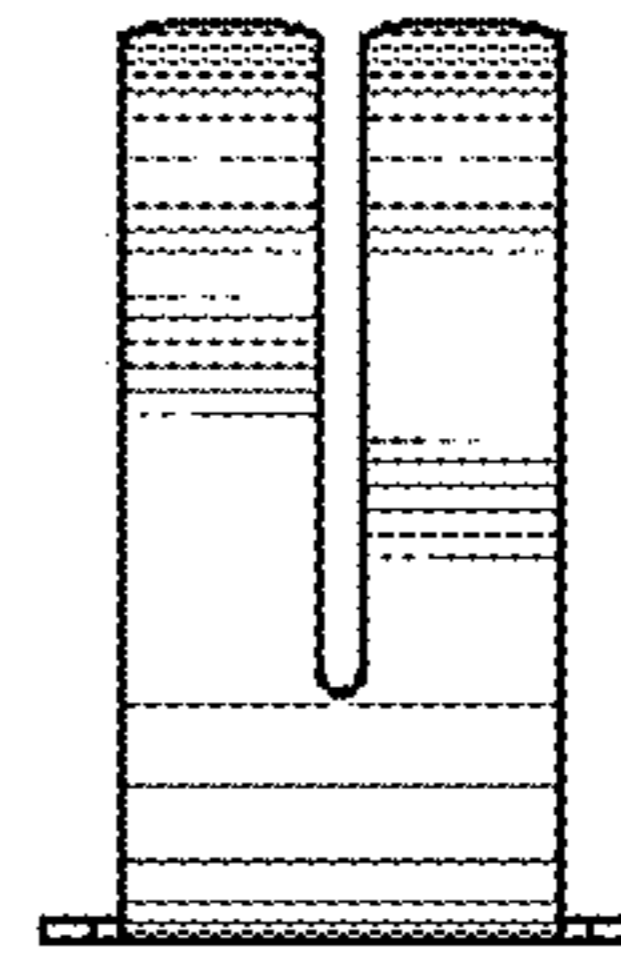


FIG.7

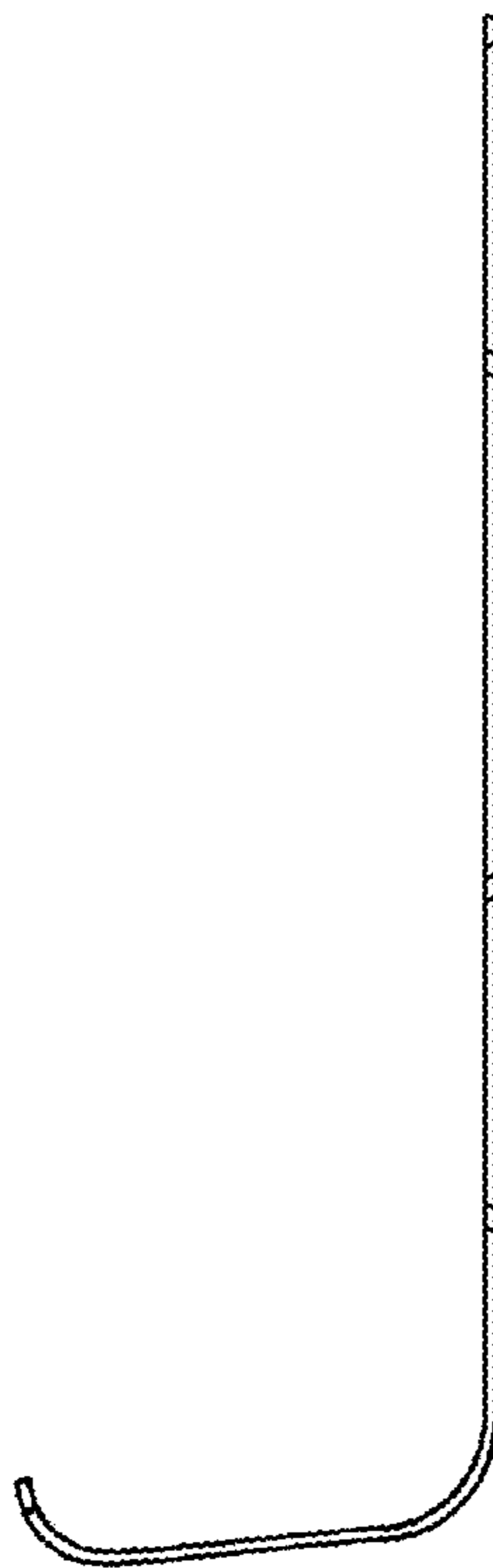


FIG.8

