



US00D948433S

(12) **United States Design Patent** (10) **Patent No.:** **US D948,433 S**
Chen (45) **Date of Patent:** **** Apr. 12, 2022**

(54) **PORTABLE EMERGENCY STORAGE TANK**

(71) Applicant: **SHENZHEN SBASE
ELECTRONICS TECHNOLOGY
CO., LTD**, Shenzhen (CN)

(72) Inventor: **Zhangsheng Chen**, Shenzhen (CN)

(73) Assignee: **SHENZHEN SBASE
ELECTRONICS TECHNOLOGY
CO., LTD**, Shenzhen (CN)

(**) Term: **15 Years**

(21) Appl. No.: **29/757,405**

(22) Filed: **Nov. 5, 2020**

(30) **Foreign Application Priority Data**

May 6, 2020 (CN) 202030196999.8

(51) **LOC (13) Cl.** **13-02**

(52) **U.S. Cl.**
USPC **D13/110**

(58) **Field of Classification Search**
USPC D13/101, 102, 103, 107, 108, 110, 118,
D13/119, 123, 184, 199
CPC .. H02J 7/00; H02J 7/027; H02J 7/0042; H02J
7/0045; H02J 7/0047; H02J 7/0063; H02J
7/32; H02J 7/1423; H02J 7/003; H01M
2/1022; H01M 2/342; Y02T 10/7005;
Y02T 10/705; Y02T 10/7088
See application file for complete search history.

(56) **References Cited**

U.S. PATENT DOCUMENTS

D887,357 S * 6/2020 Liao D13/110
D899,362 S * 10/2020 LaFave D13/110
D910,560 S * 2/2021 Inskeep D13/110
D916,658 S * 4/2021 Jiang D13/110

D929,326 S * 8/2021 Wang D13/110
D930,585 S * 9/2021 Yu D13/110
D932,432 S * 10/2021 Peng D13/110
D932,433 S * 10/2021 Tang D13/110
D933,603 S * 10/2021 Li D13/110
D936,007 S * 11/2021 Huang D13/110
D936,583 S * 11/2021 Liu D13/110
D938,354 S * 12/2021 Sun D13/110
D938,355 S * 12/2021 Xiong D13/110

OTHER PUBLICATIONS

Portable Batteries. (Design—© Questel) orbit.com. [Online PDF compilation of references] 101 pgs. Print Dates Range Aug. 5, 2021-Aug. 19, 2020 [Retrieved Jan. 4, 2022].*

(Continued)

Primary Examiner — Manpreet S Matharu

Assistant Examiner — Suzanne E Tisdell

(74) *Attorney, Agent, or Firm* — Westbridge IP LLC

(57) **CLAIM**

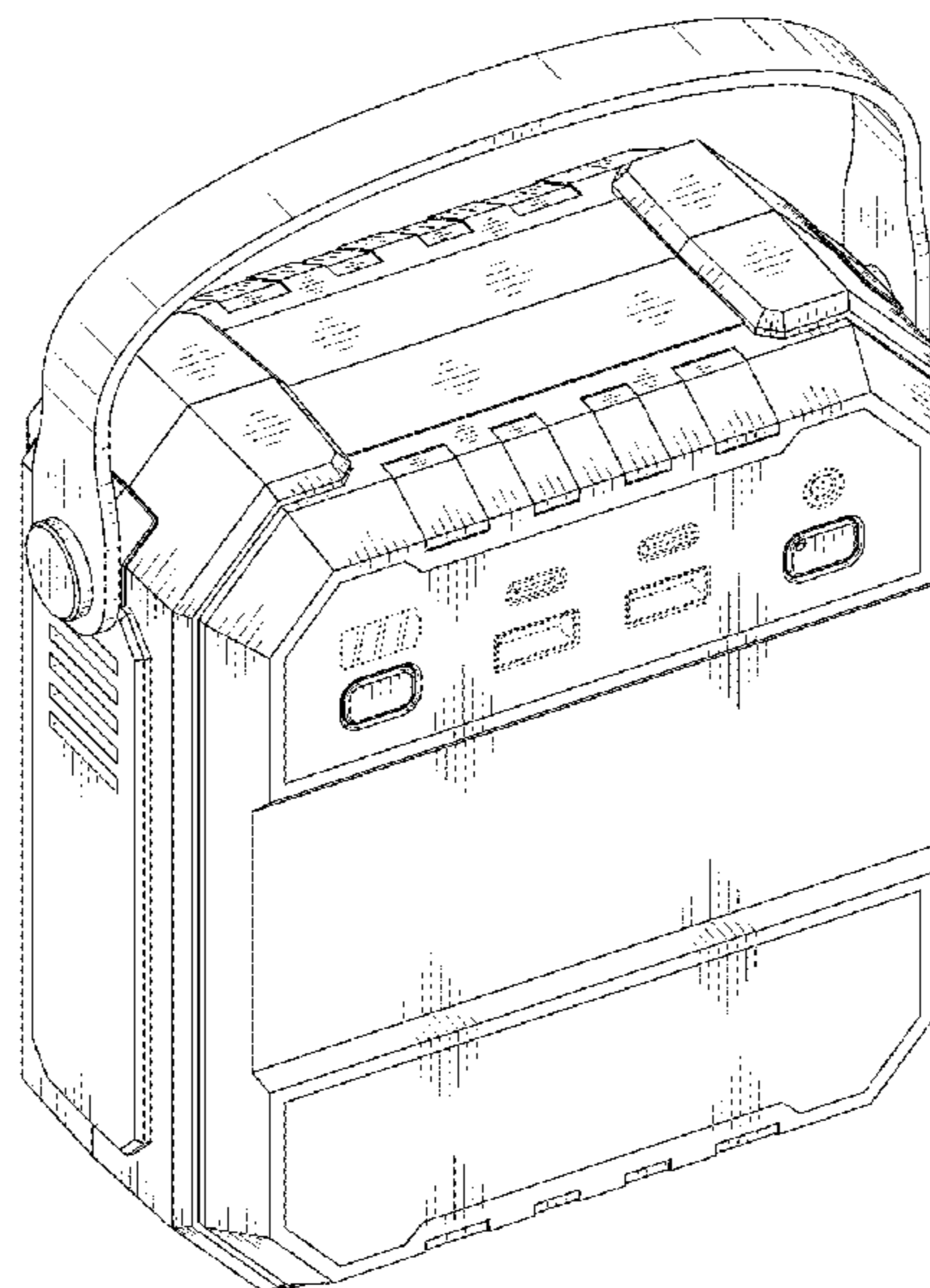
The ornamental design for a portable emergency storage tank, as shown and described.

DESCRIPTION

FIG. 1 is a top, front and left side perspective view of a portable emergency storage tank showing my new design; FIG. 2 is a front elevational view thereof; FIG. 3 is a rear elevational view thereof; FIG. 4 is a left side elevational view thereof; FIG. 5 is a right side elevational view thereof; FIG. 6 is a top plan view thereof; FIG. 7 is a bottom plan view thereof; and, FIG. 8 is a bottom, rear and right side perspective view thereof.

The broken lines in the drawings illustrate the portions of the portable emergency storage tank which form no part of the claimed design.

1 Claim, 8 Drawing Sheets



(56)

References Cited

OTHER PUBLICATIONS

MARBERO Portable Power Station. Aug. 17, 2020. Amazon. https://www.amazon.com/Portable-Generator-22500mAh-Emergency-Flashlight/dp/B08G1J8DB1/ref=sr_1_24?gclid=EAIaIQobChMIvpTbov6Y9QIV1NzICh3ZVwEZEAAAYASAAEgKeE_D_BwE&hvadid=323590276930&hvdev=c&hvlocphy=9008150&hvnetw=g&hvqmt=b&hvrnd=17810990644043462849&hvtargid=kw.*

Generark HomePower ONE. Oct. 23, 2020. Amazon. https://www.amazon.com/Generark-HomePower-ONE-1000W-2000W-Generators/dp/B08LR2LNWK/ref=sr_1_40?gclid=EAIaIQobChMIvpTbov6Y9QIV1NzICh3ZVwEZEAAAYASAAEgKeE_D_BwE&hvadid=323590276930&hvdev=c&hvlocphy=9008150&hvnetw=g&hvqmt=b&hvrnd=17810990644043462849&hvtargid=kwd-30197632.*

Portable Power Station300W. Jun. 16, 2020. Amazon. https://www.amazon.com/Portable-LIPOWER-80000mAh-Generator-Included/dp/B08TW7X247.*

* cited by examiner

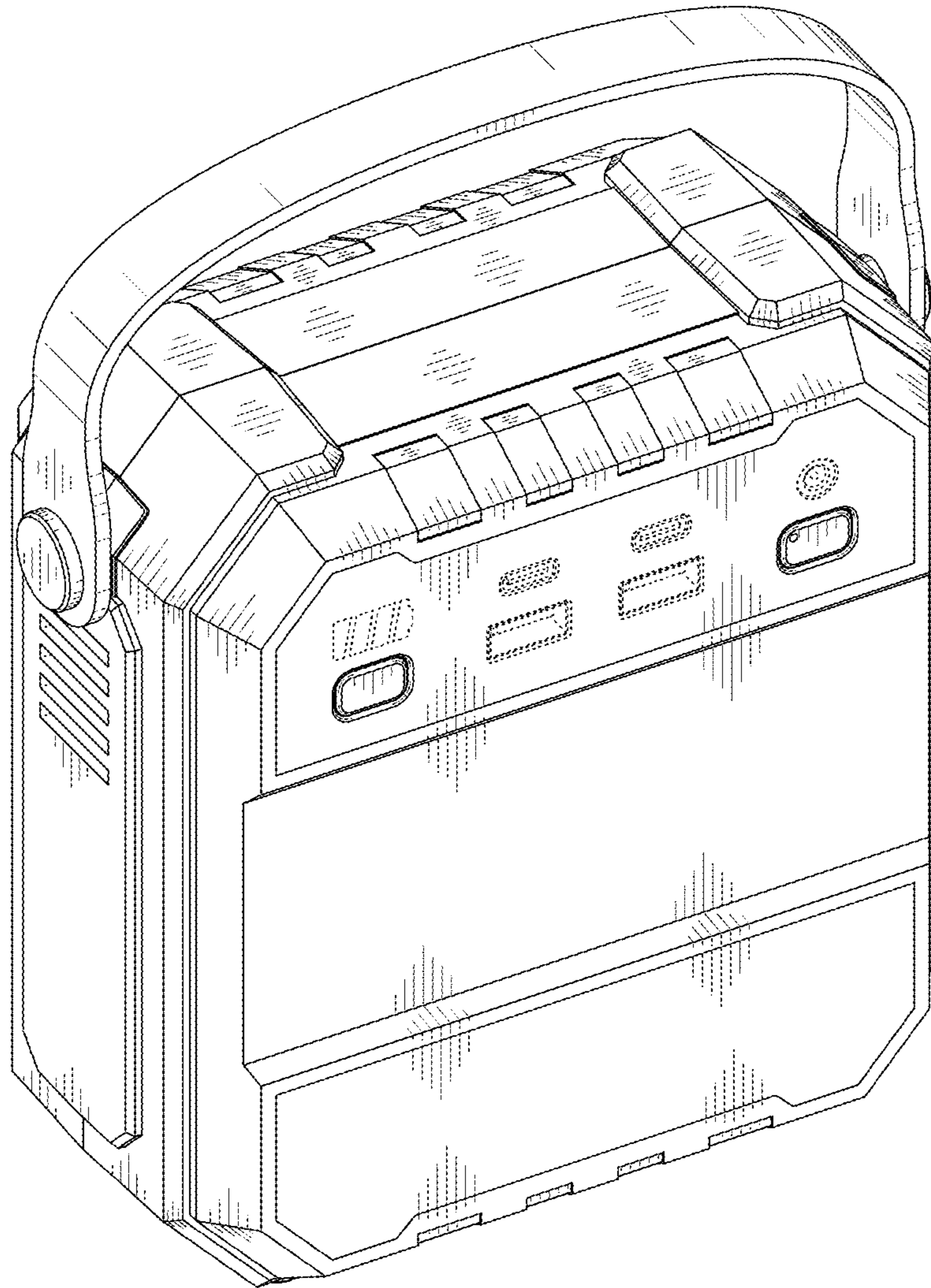


FIG.1

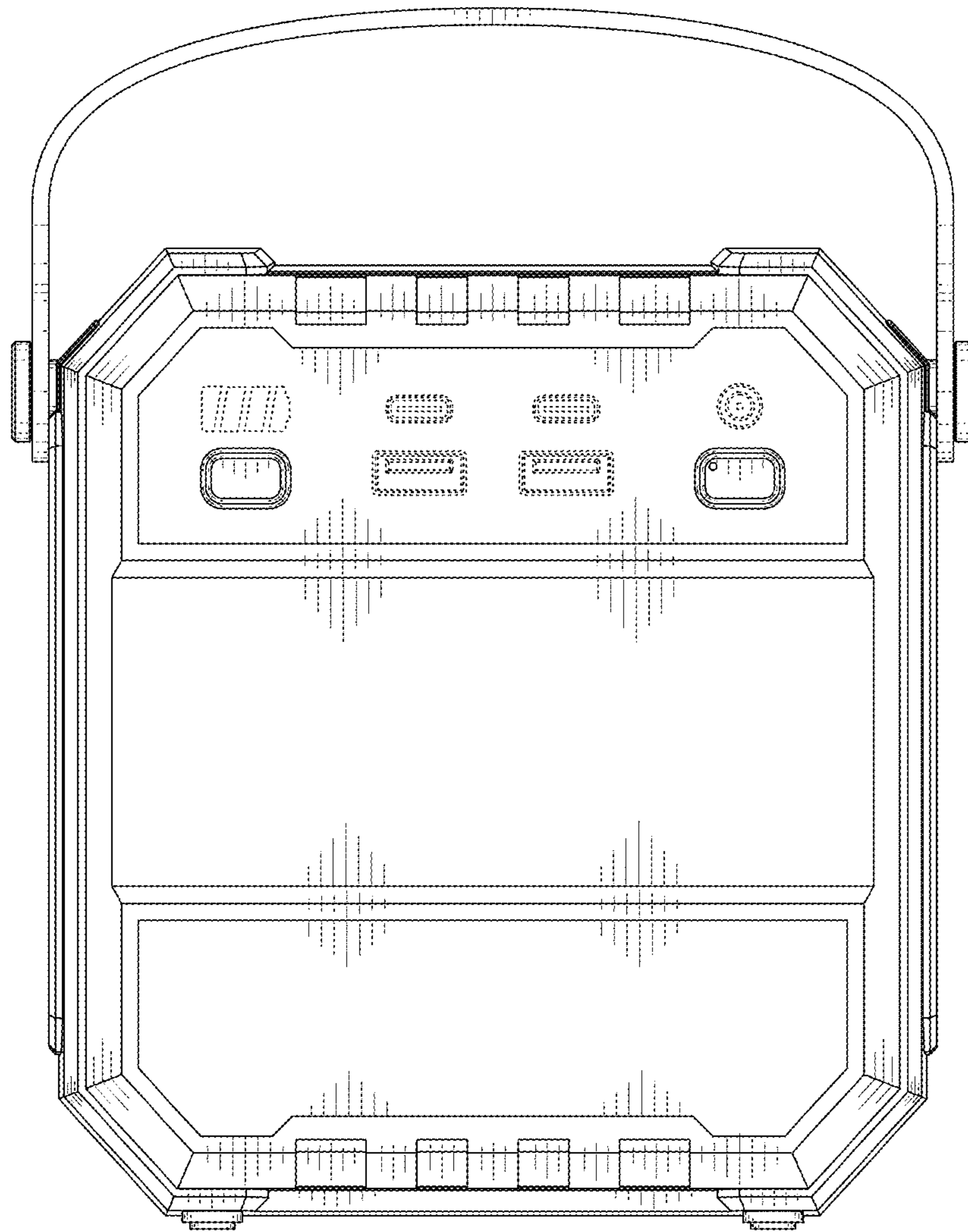


FIG.2

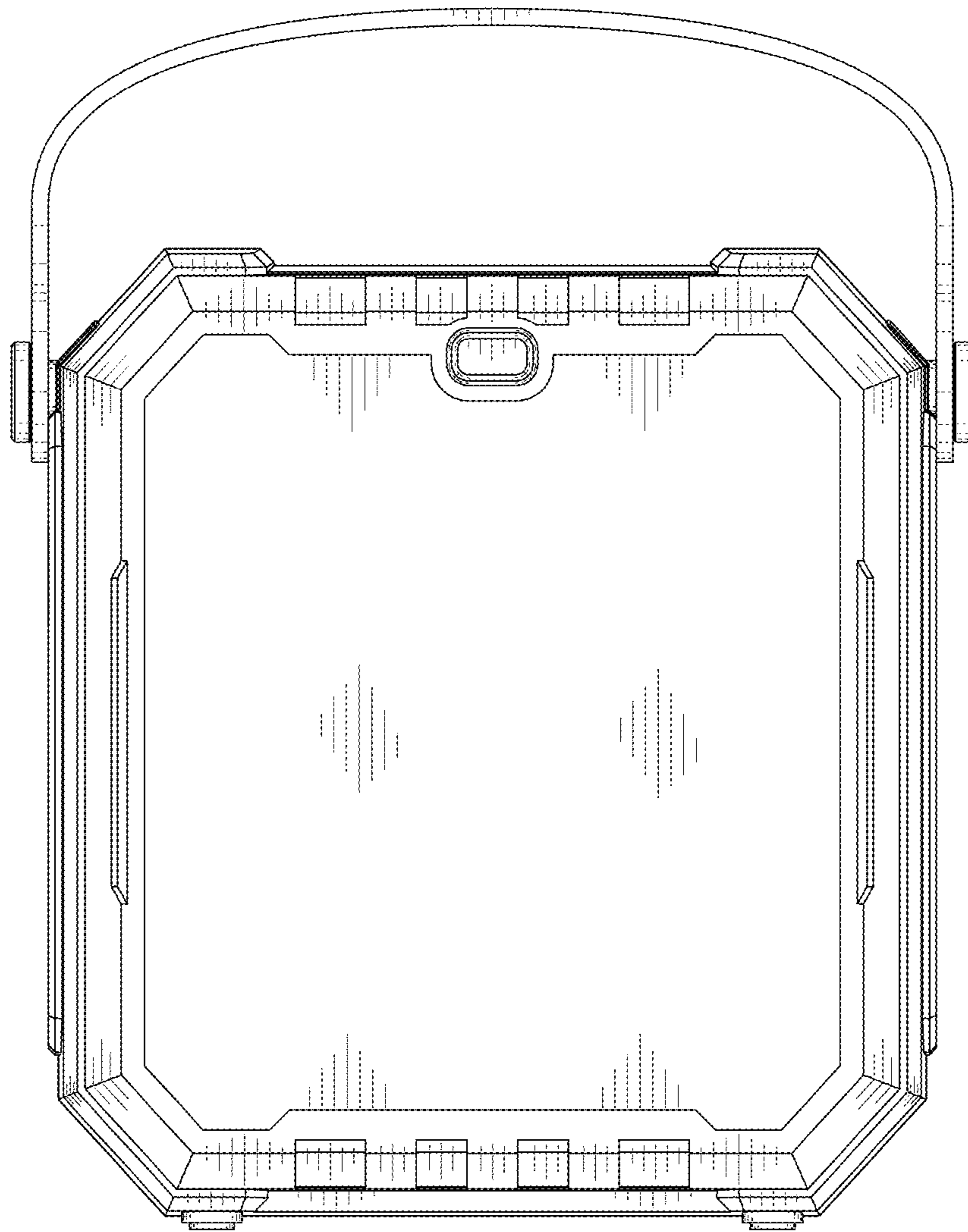


FIG.3

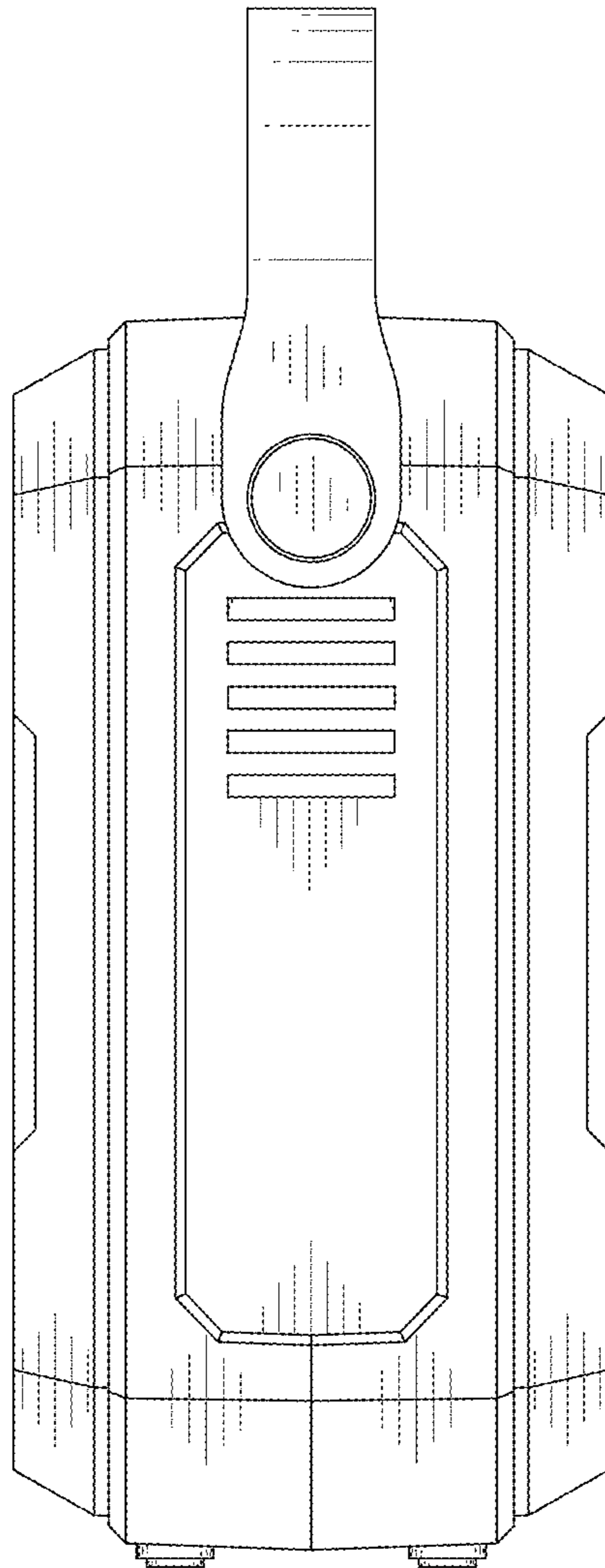


FIG.4

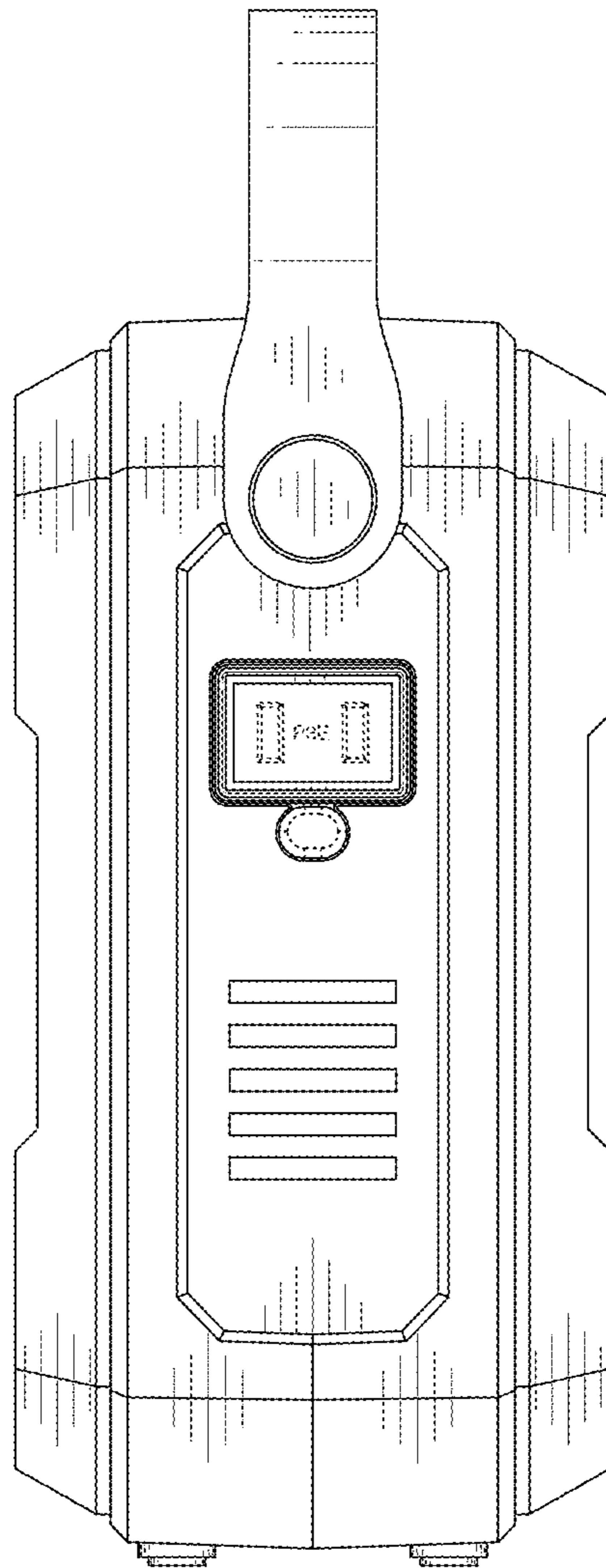


FIG.5

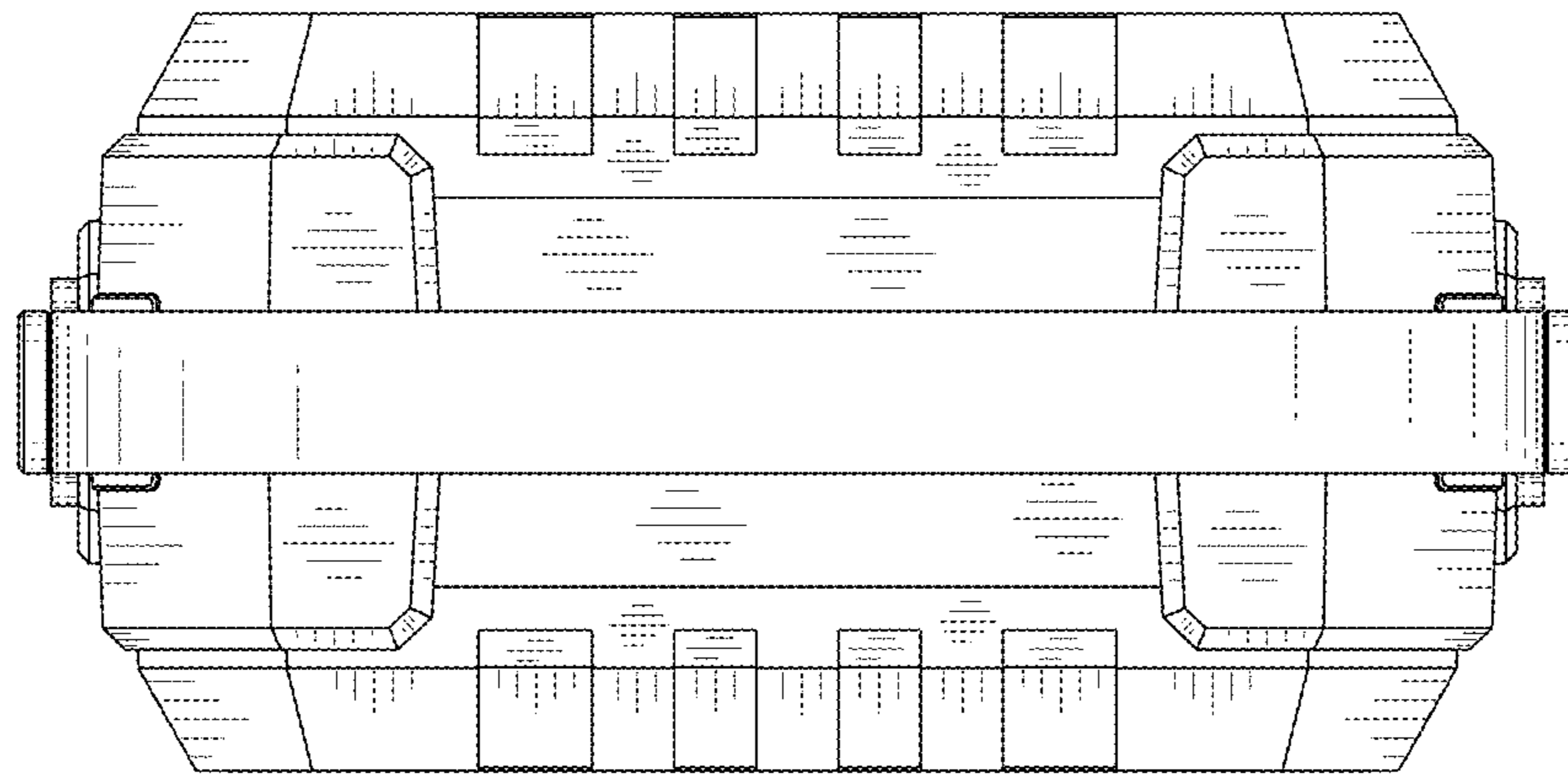


FIG.6

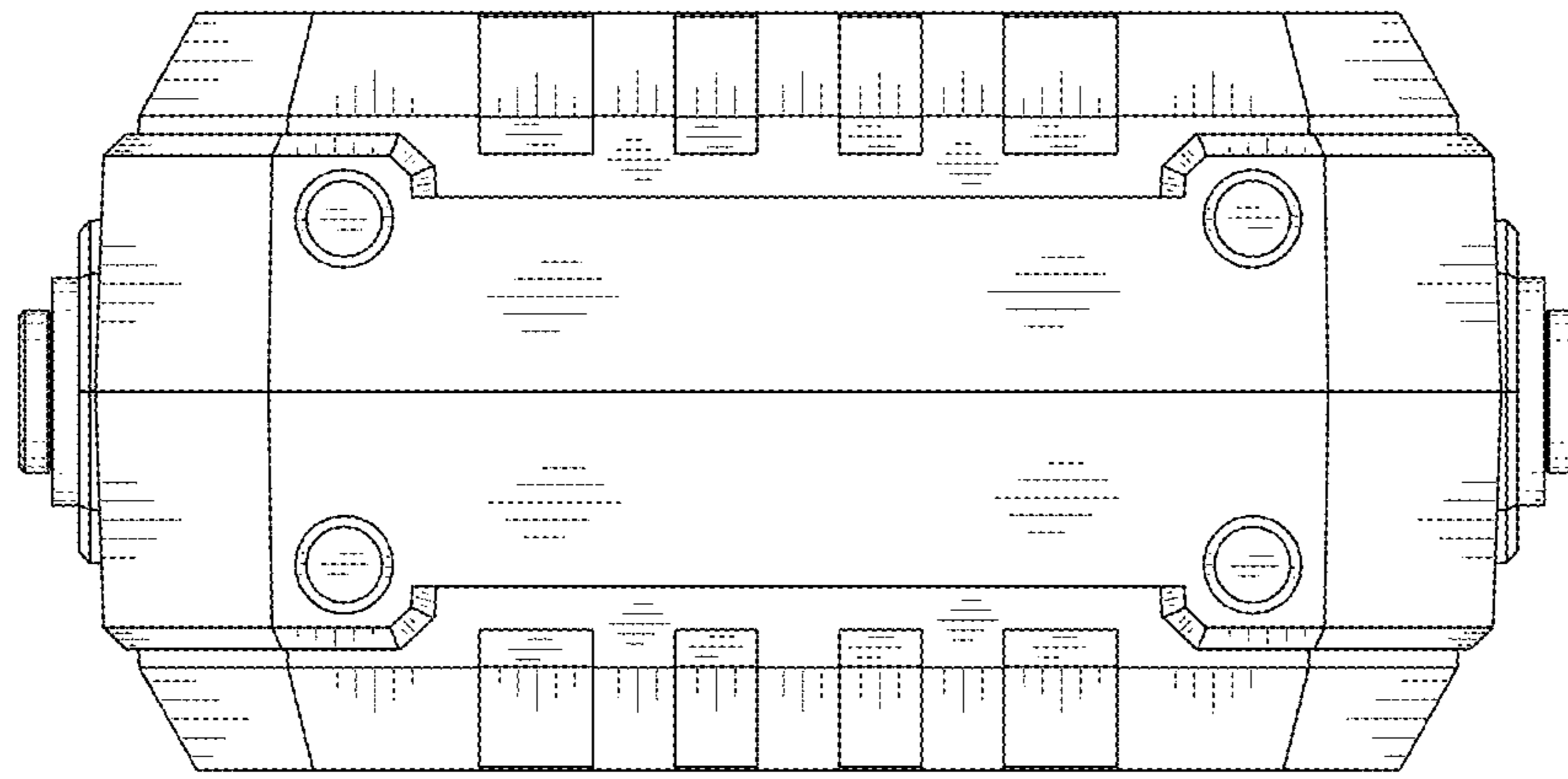


FIG.7

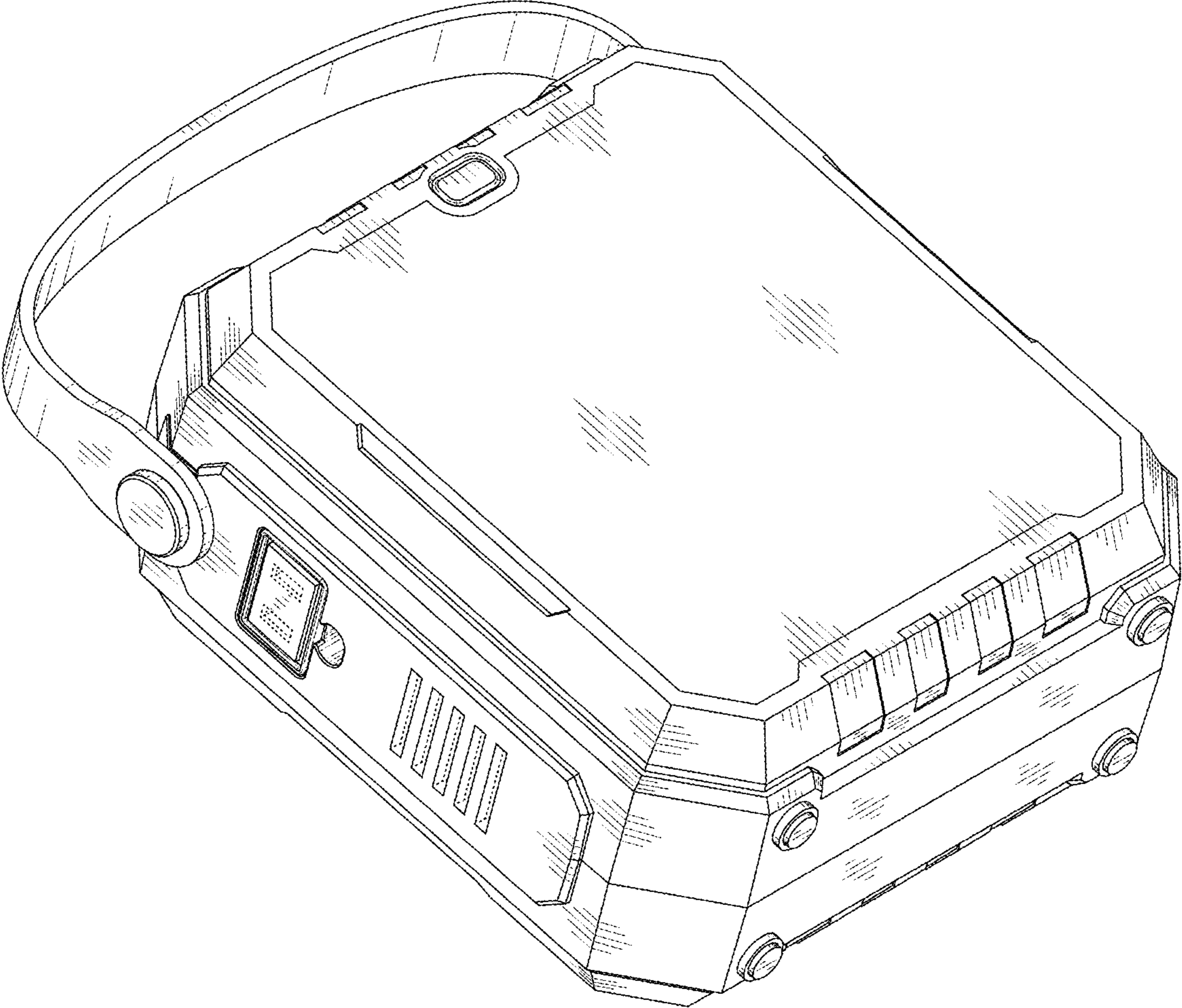


FIG.8