



US00D948431S

(12) **United States Design Patent**
Ye

(10) **Patent No.:** **US D948,431 S**

(45) **Date of Patent:** **** Apr. 12, 2022**

(54) **PORTABLE POWER STATION**

(71) Applicant: **Shenzhen Aiper Tech Co., Ltd.**,
Shenzhen (CN)

(72) Inventor: **Liangwen Ye**, Shenzhen (CN)

(**) Term: **15 Years**

(21) Appl. No.: **29/737,111**

(22) Filed: **Jun. 5, 2020**

(30) **Foreign Application Priority Data**

Dec. 6, 2019 (CN) 201930682251.6

(51) **LOC (13) Cl.** **13-02**

(52) **U.S. Cl.**
USPC **D13/110**

(58) **Field of Classification Search**

USPC D13/103, 107-110, 118, 119, 184, 199;
D14/251, 253, 432, 434

CPC Y02E 60/12; H02J 7/025; H02J 7/0042;
H02J 7/0044; H02J 7/0045; H02J 7/0003;
H02J 7/0027; H02J 7/0013; H02J 7/0054;
H02J 7/00; H02J 3/32; H02J 3/008; H02J
2001/008; H01F 38/14; H01R 13/6675;
H01M 2/1022; H01M 2/1055; H01M
10/44; H01M 10/46; H01M 10/425;
B60R 16/03; B60L 11/1809; B60L
11/1861; B60L 11/182

See application file for complete search history.

(56) **References Cited**

U.S. PATENT DOCUMENTS

D483,326 S * 12/2003 Krieger D13/107
D491,139 S * 6/2004 Krieger D13/107

D491,141 S * 6/2004 Krieger D13/107
D503,148 S * 3/2005 Krieger D13/107
D503,377 S * 3/2005 Krieger D13/107
D506,724 S * 6/2005 Hriscu D13/107
D506,975 S * 7/2005 Krieger D13/107
D538,739 S * 3/2007 Zheng D13/107
D702,181 S * 4/2014 Maki D13/107
D823,789 S * 7/2018 Yang D13/107
D835,575 S * 12/2018 Wen D13/107
D842,240 S * 3/2019 Lai D13/107
D904,765 S * 12/2020 Hyun D3/302
D920,234 S * 5/2021 Ishida D13/108

* cited by examiner

Primary Examiner — Christy Nemeth

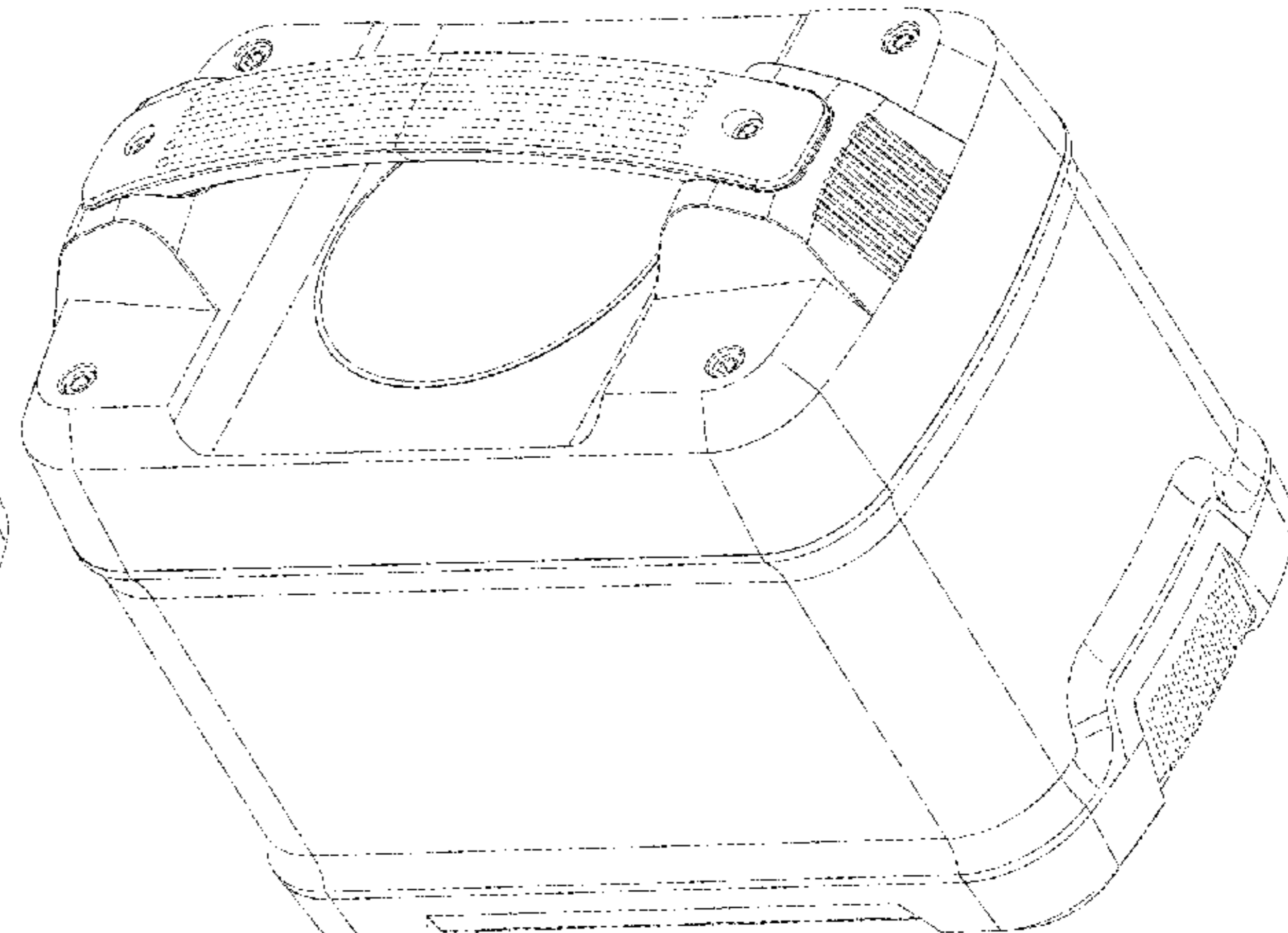
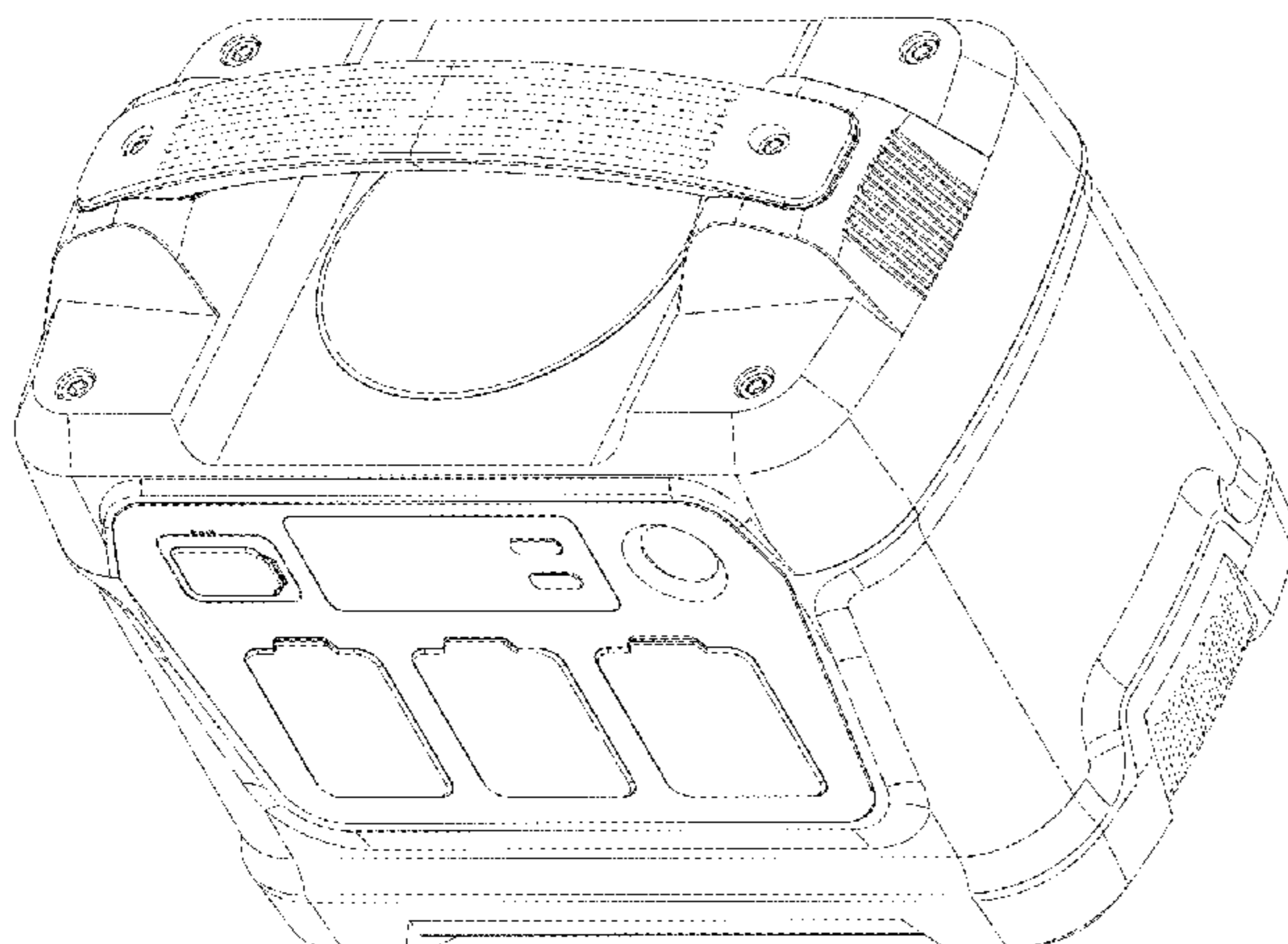
(57) **CLAIM**

The ornamental design for a portable power station, as shown and described.

DESCRIPTION

FIG. 1 is a front elevational view of a portable power station showing my new design;
FIG. 2 is a rear elevational view thereof;
FIG. 3 is a left side view thereof;
FIG. 4 is a right side view thereof;
FIG. 5 is a top plan view thereof;
FIG. 6 is a bottom plan view thereof;
FIG. 7 is a front perspective view thereof;
FIG. 8 is a rear perspective view thereof; and,
FIG. 9 is a bottom perspective view thereof.
The broken lines shown in the drawings depict portions of the portable power station that form no part of the claimed design.

1 Claim, 9 Drawing Sheets



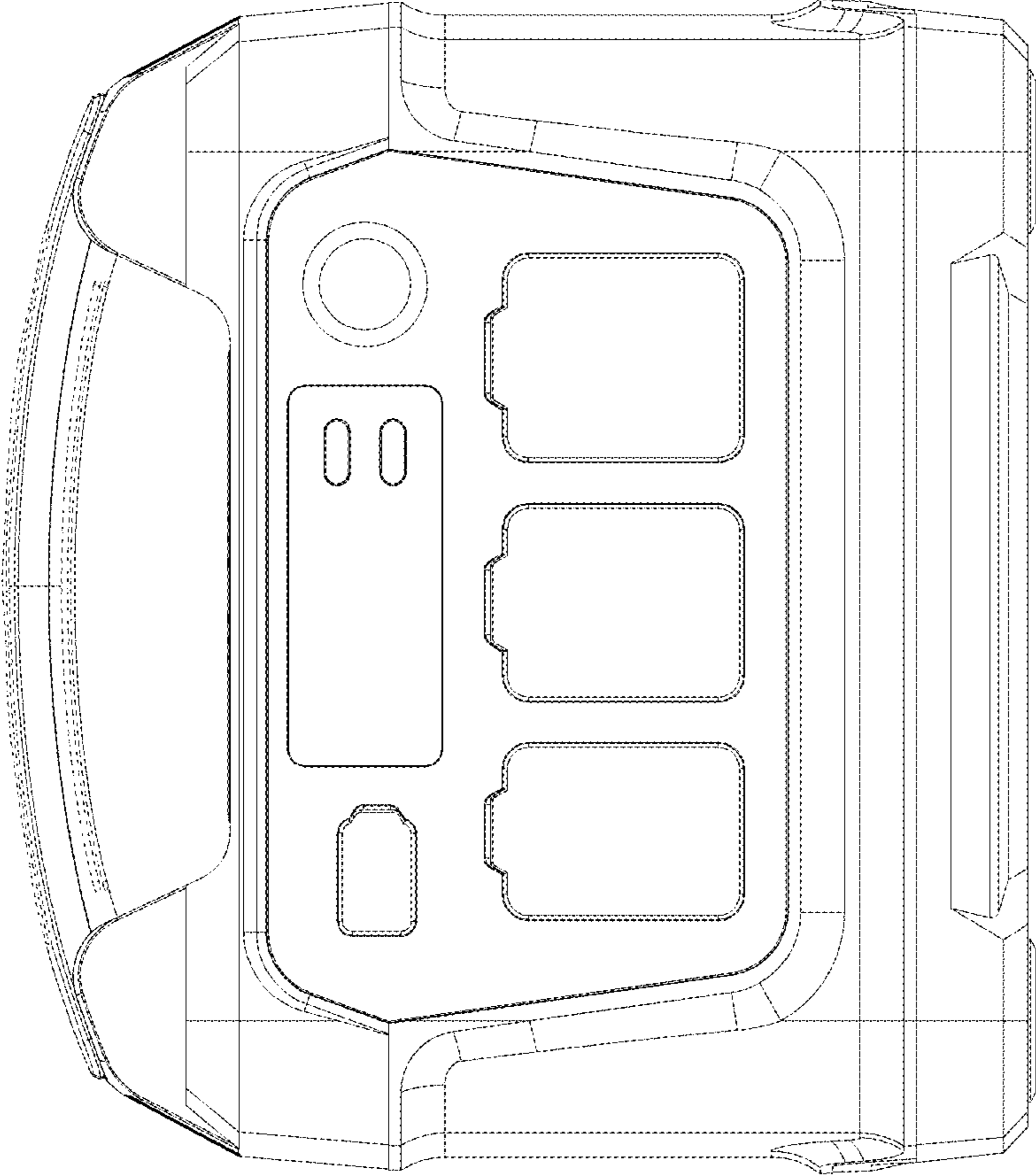


FIG. 1

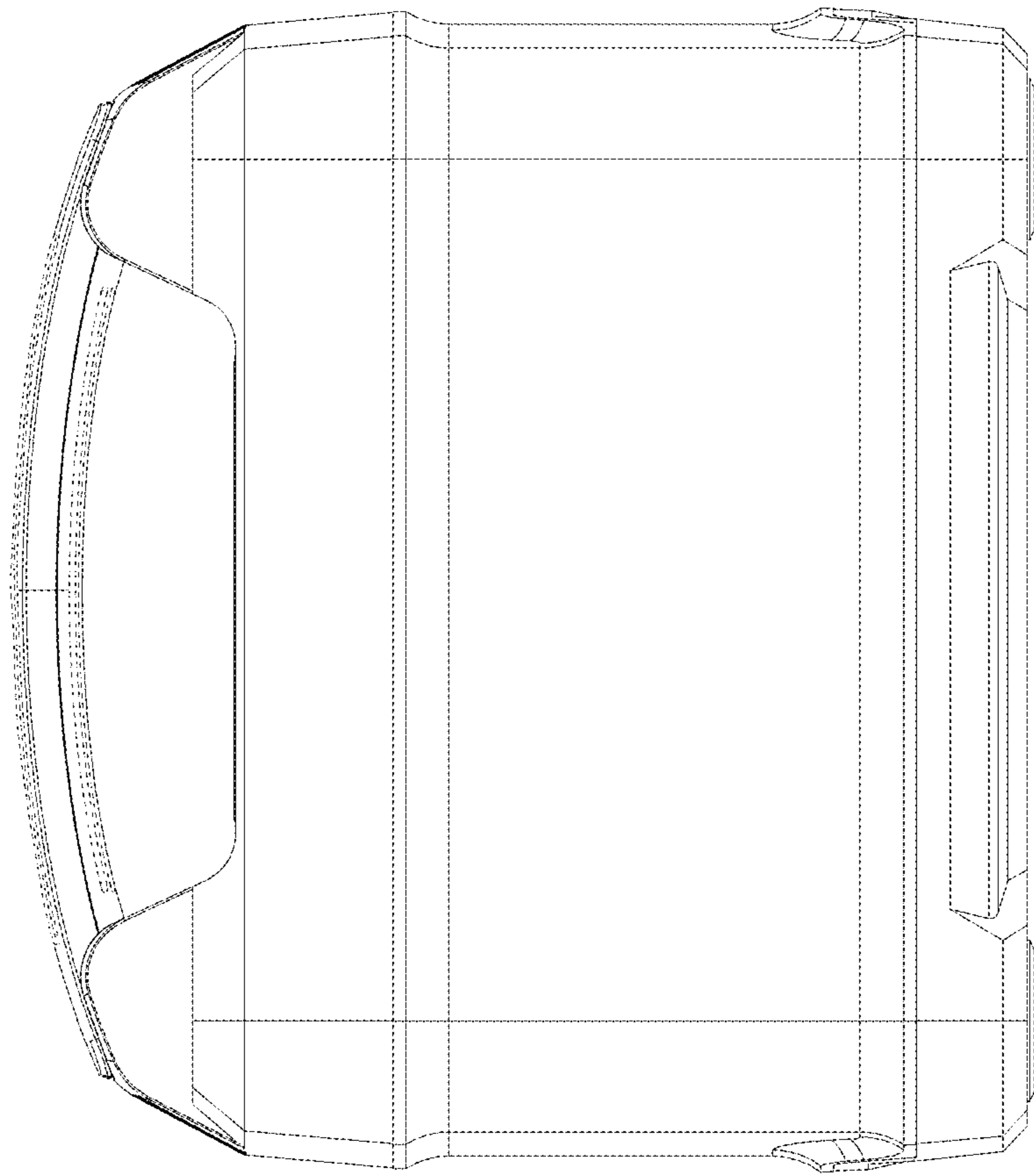


FIG. 2

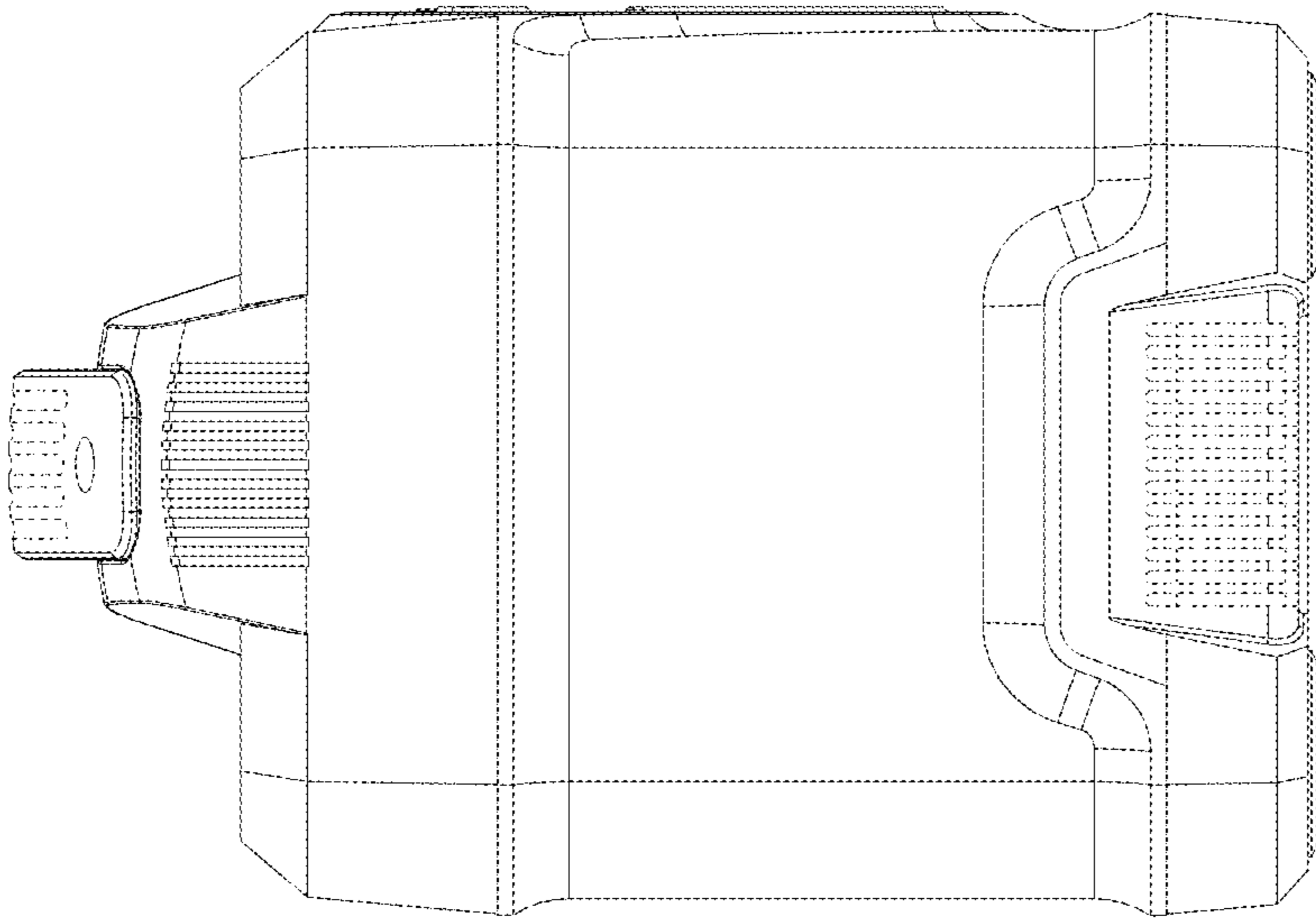


FIG. 3

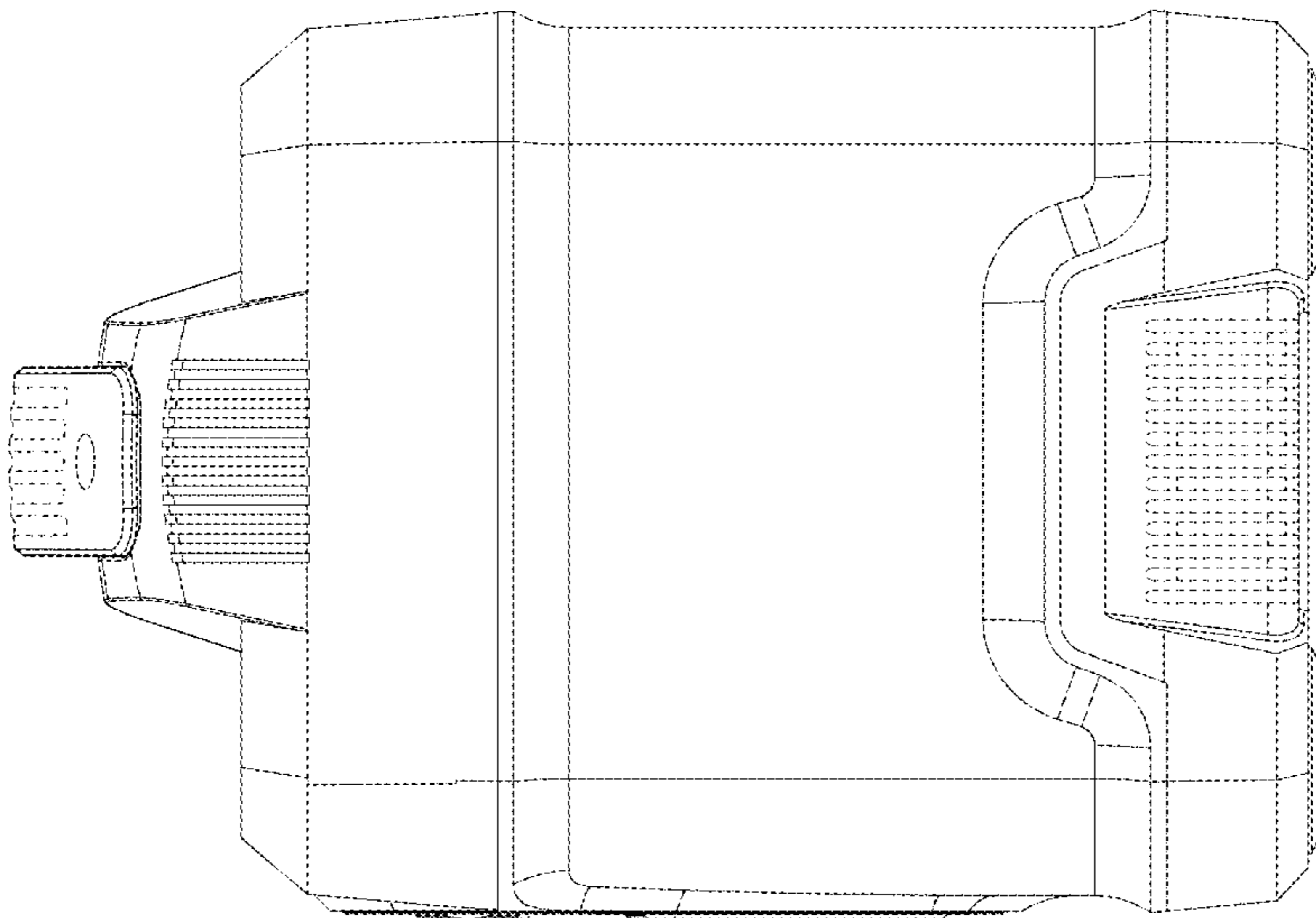


FIG. 4

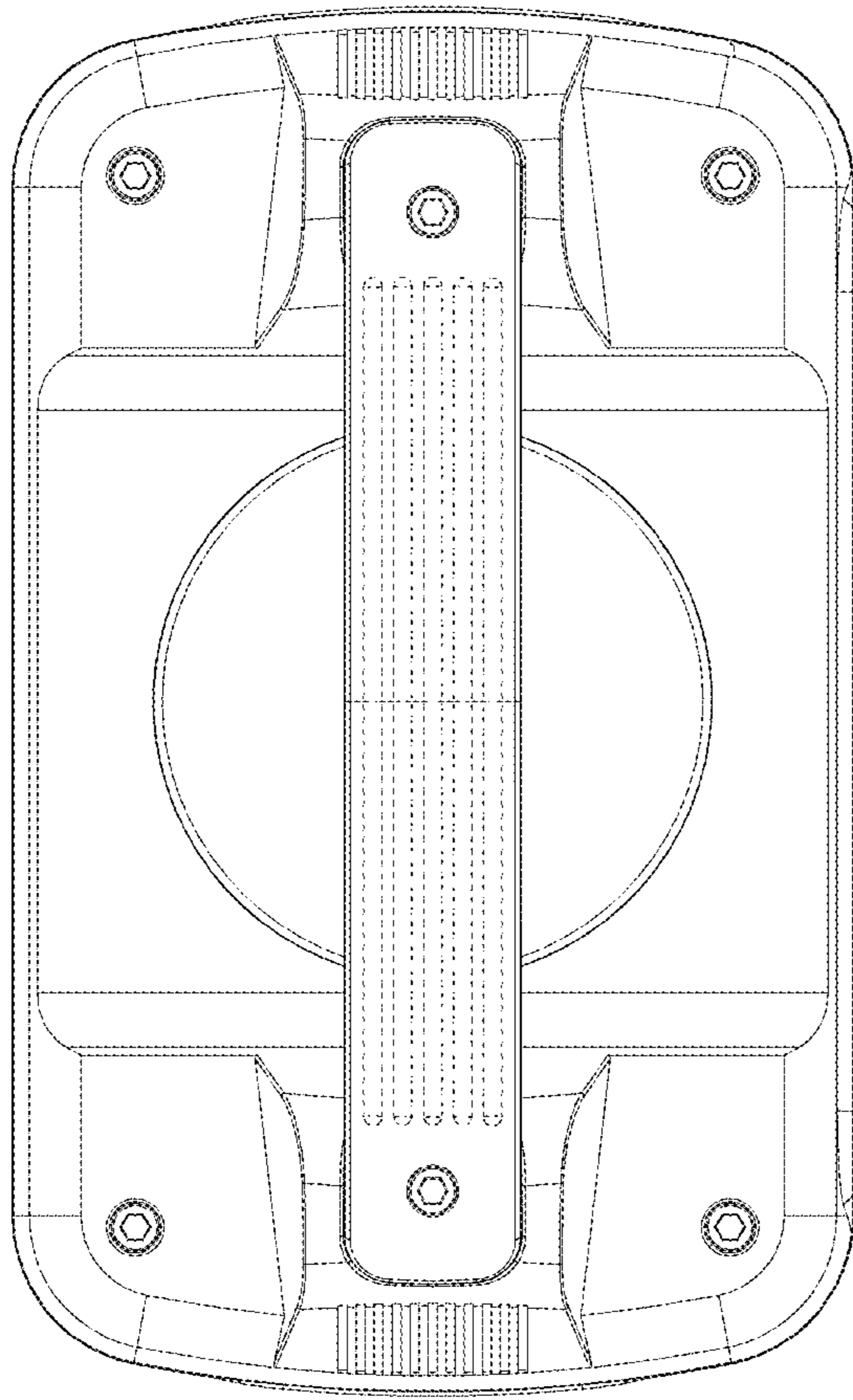


FIG. 5

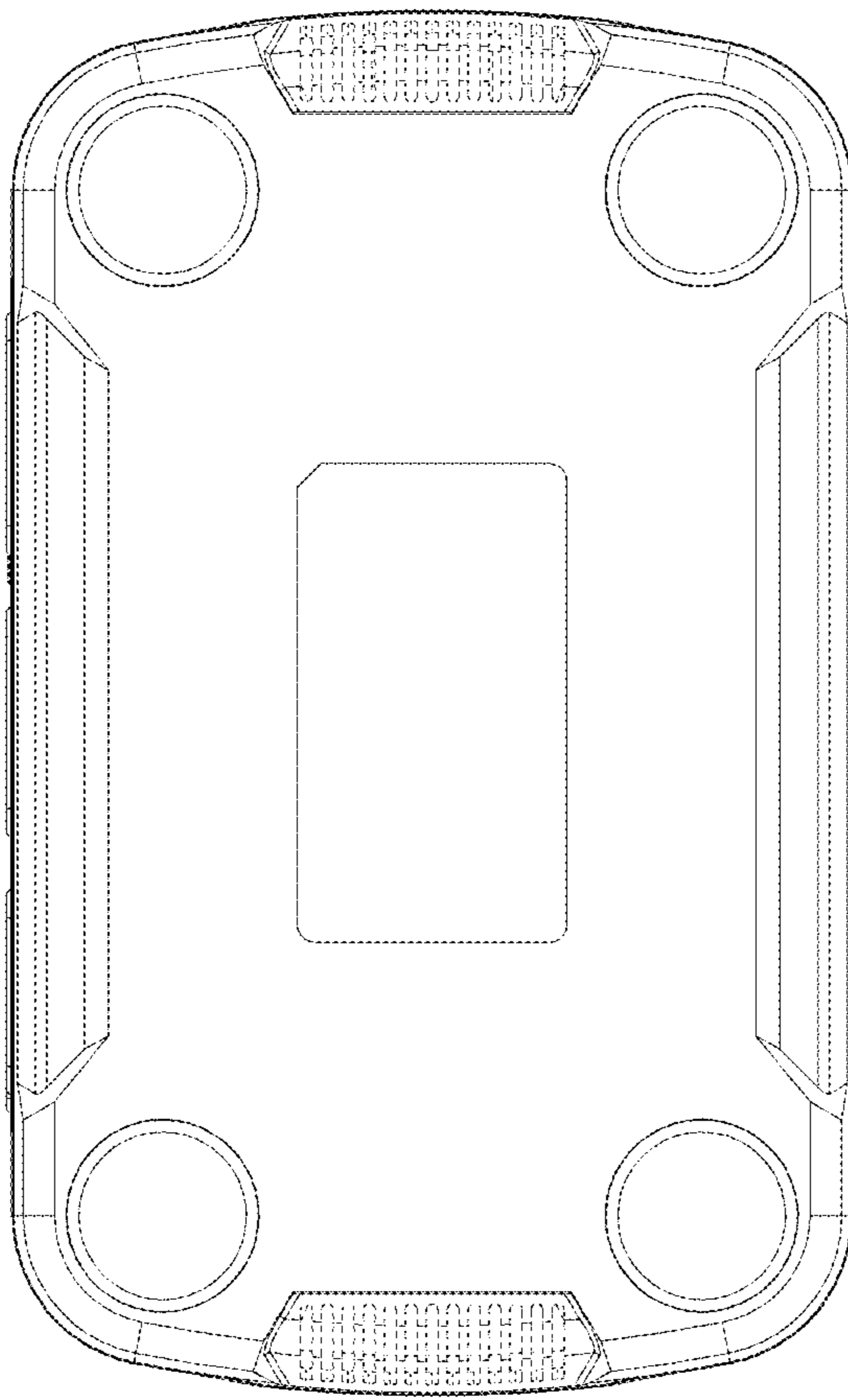


FIG. 6

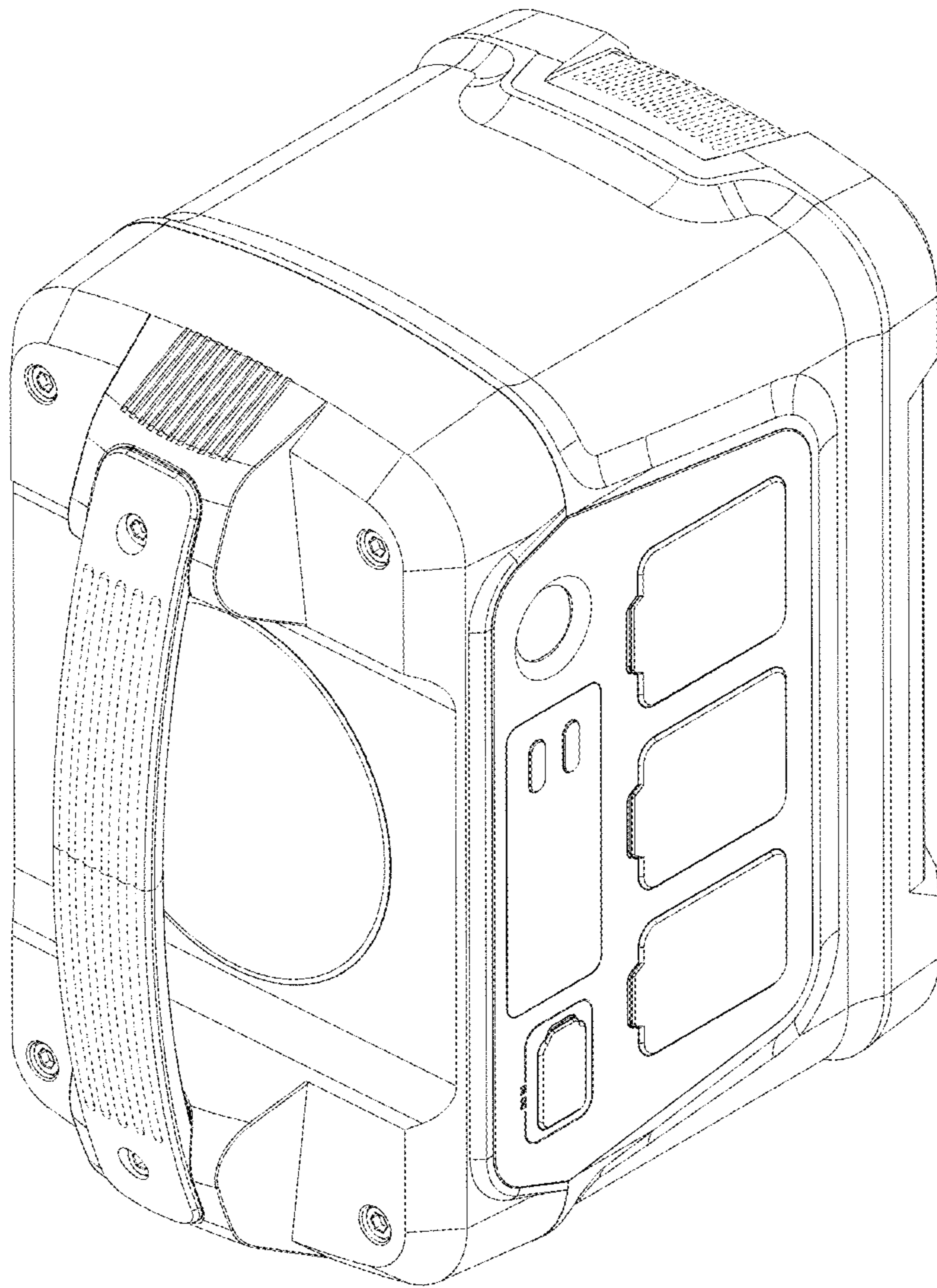


FIG. 7

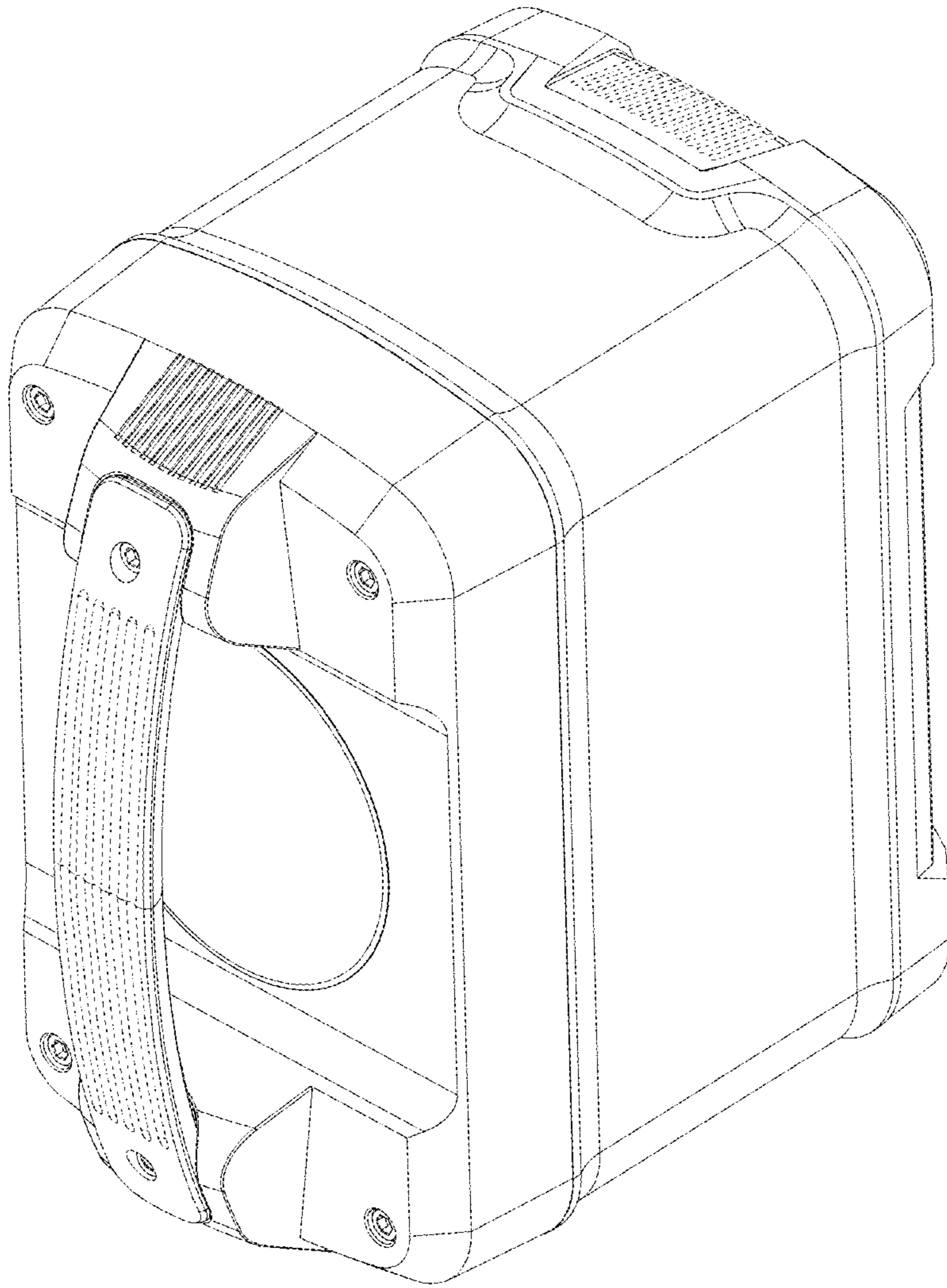


FIG. 8

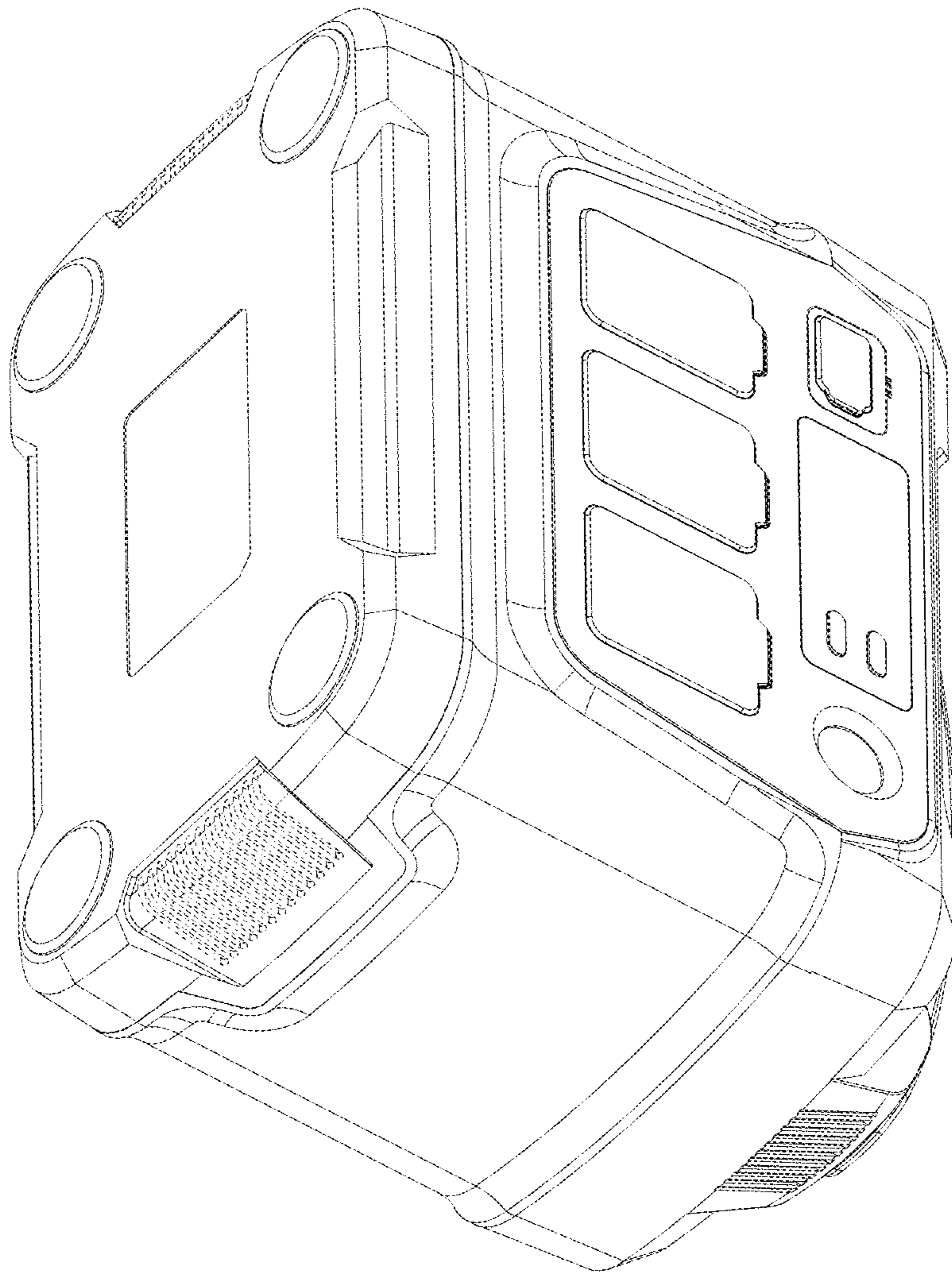


FIG. 9