



US00D948428S

(12) **United States Design Patent** (10) **Patent No.:** **US D948,428 S**
Li (45) **Date of Patent:** **** Apr. 12, 2022**

(54) **CHARGER**

(71) Applicant: **Shenzhen NearbyExpress Technology Development Company Limited**,
Shenzhen (CN)

(72) Inventor: **Cheng-Min Li**, Shenzhen (CN)

(73) Assignee: **Shenzhen NearbyExpress Technology Development Company Limited**,
Shenzhen (CN)

(**) Term: **15 Years**

(21) Appl. No.: **29/749,377**

(22) Filed: **Sep. 4, 2020**

(30) **Foreign Application Priority Data**

Jul. 14, 2020 (CN) 202030379063.9

(51) **LOC (13) Cl.** **13-02**

(52) **U.S. Cl.**
USPC **D13/108**

(58) **Field of Classification Search**
USPC D13/102-110, 118, 119, 184, 199;
D14/251, 253, 432, 434

CPC H01M 10/44; H01M 10/46; H01M 10/465;
H01M 10/482; H01M 10/4257; H01M
10/0436; H01M 10/48; H01M 2200/30;
H01M 2250/30; H01M 2250/40; Y02T
10/7005; Y02T 10/705; Y02T 10/7088;
Y02E 60/10; Y02E 60/12; Y02E 60/122;
Y02E 60/124; Y02E 60/50; H02J 7/00;
H02J 7/0003; H02J 7/0011; H02J 7/0013;
H02J 7/0054; H02J 7/0055; H02J 7/0057;
H02J 7/0034; H02J 7/1423; H02J
2001/006

See application file for complete search history.

(56) **References Cited**

U.S. PATENT DOCUMENTS

D660,229 S *	5/2012	Tseng	D13/110
D705,725 S *	5/2014	Ryu	D13/108
D852,741 S *	7/2019	Trachtenberg	D13/110
D900,738 S *	11/2020	Liu	D13/108
D902,852 S *	11/2020	Lin	D13/108
D926,682 S *	8/2021	Liao	D13/108
D931,201 S *	9/2021	Xu	D13/107
D935,404 S *	11/2021	Wu	D13/110
D936,003 S *	11/2021	Li	D13/110

* cited by examiner

Primary Examiner — Christy Nemeth

(74) *Attorney, Agent, or Firm* — ScienBiziP, P.C.

(57) **CLAIM**

The ornamental design for a charger, as shown and described.

DESCRIPTION

FIG. 1 is a top, rear, left side perspective view of charger, showing our design.

FIG. 2 is a top, front, right side perspective view thereof.

FIG. 3 is a front elevation view thereof.

FIG. 4 is a rear elevation view thereof.

FIG. 5 is a left side elevation view thereof.

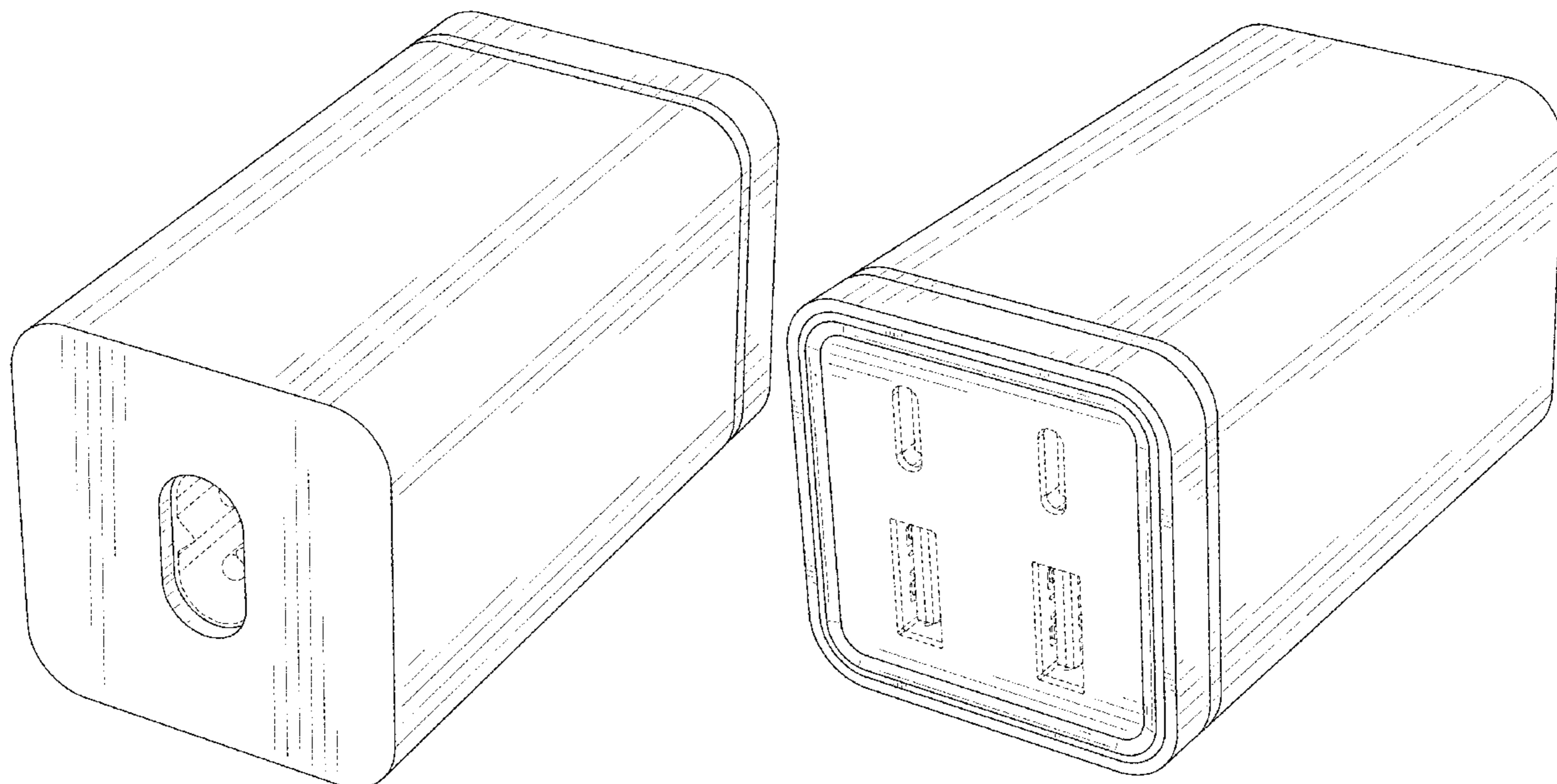
FIG. 6 is a right side elevation view thereof.

FIG. 7 is a top plan view thereof; and,

FIG. 8 is a bottom plan view thereof.

The broken lines shown in the drawings are included for the purpose of illustrating portions of the charger that form no part of the claimed design.

1 Claim, 8 Drawing Sheets



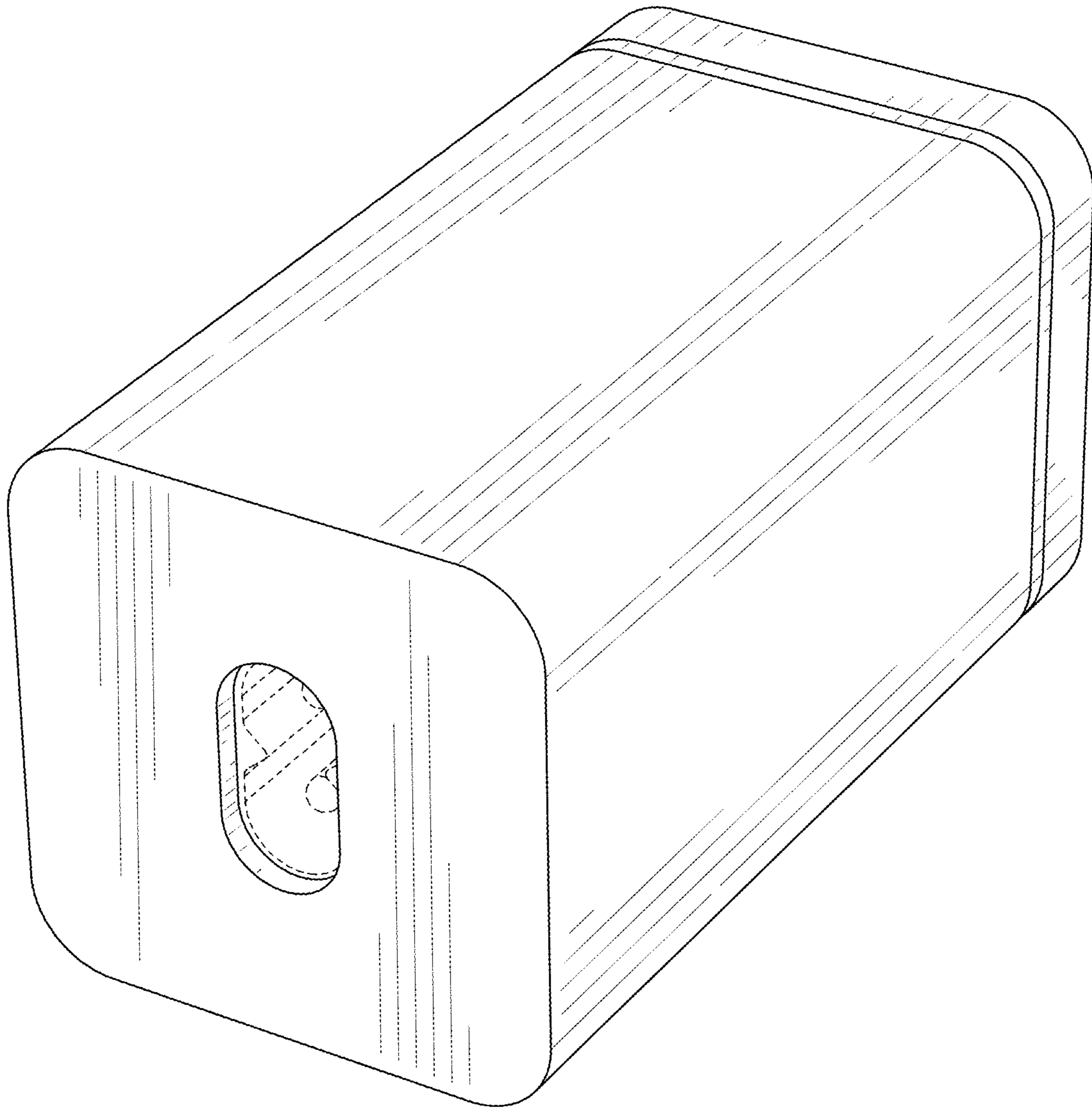


FIG. 1

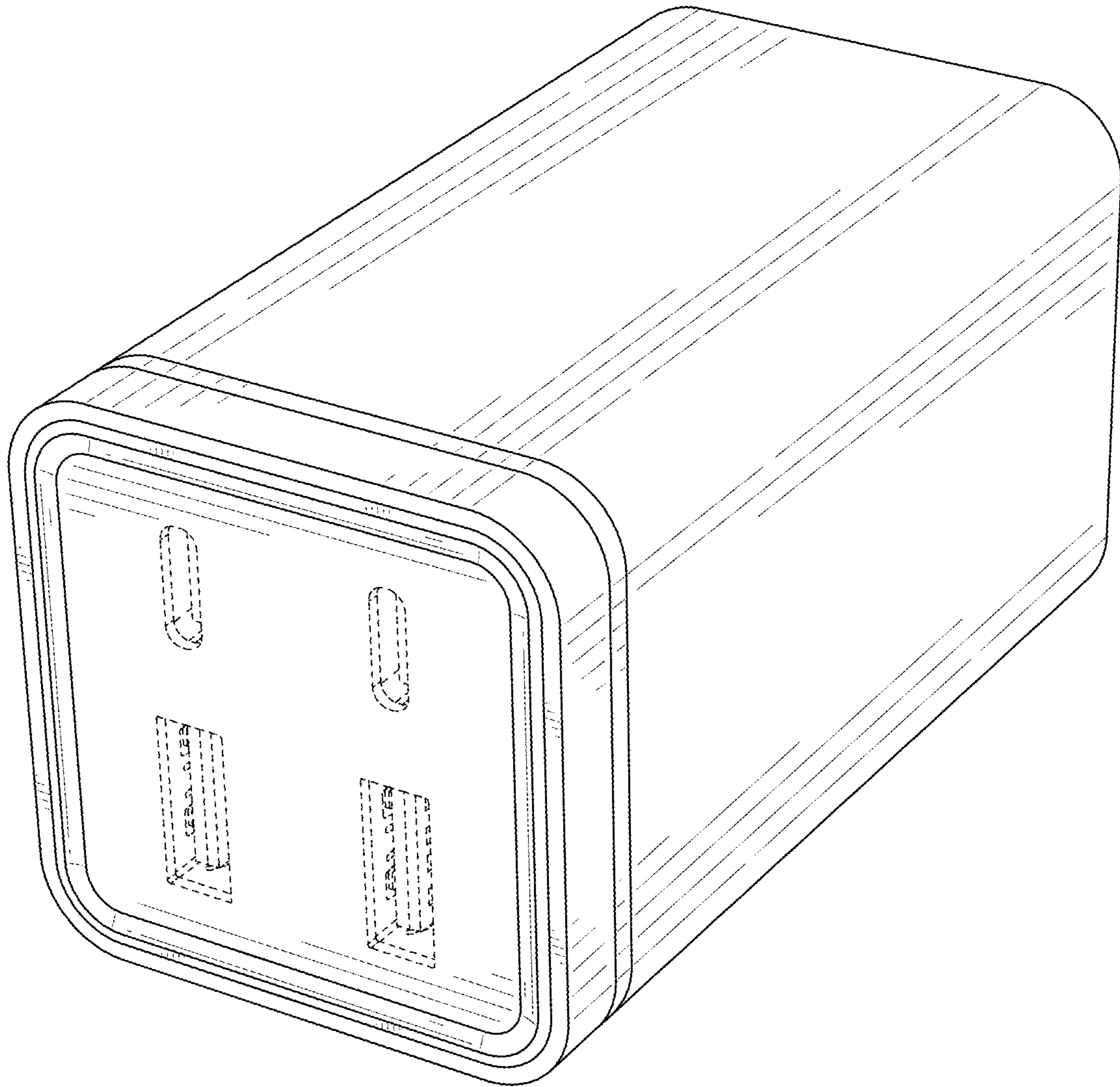


FIG. 2

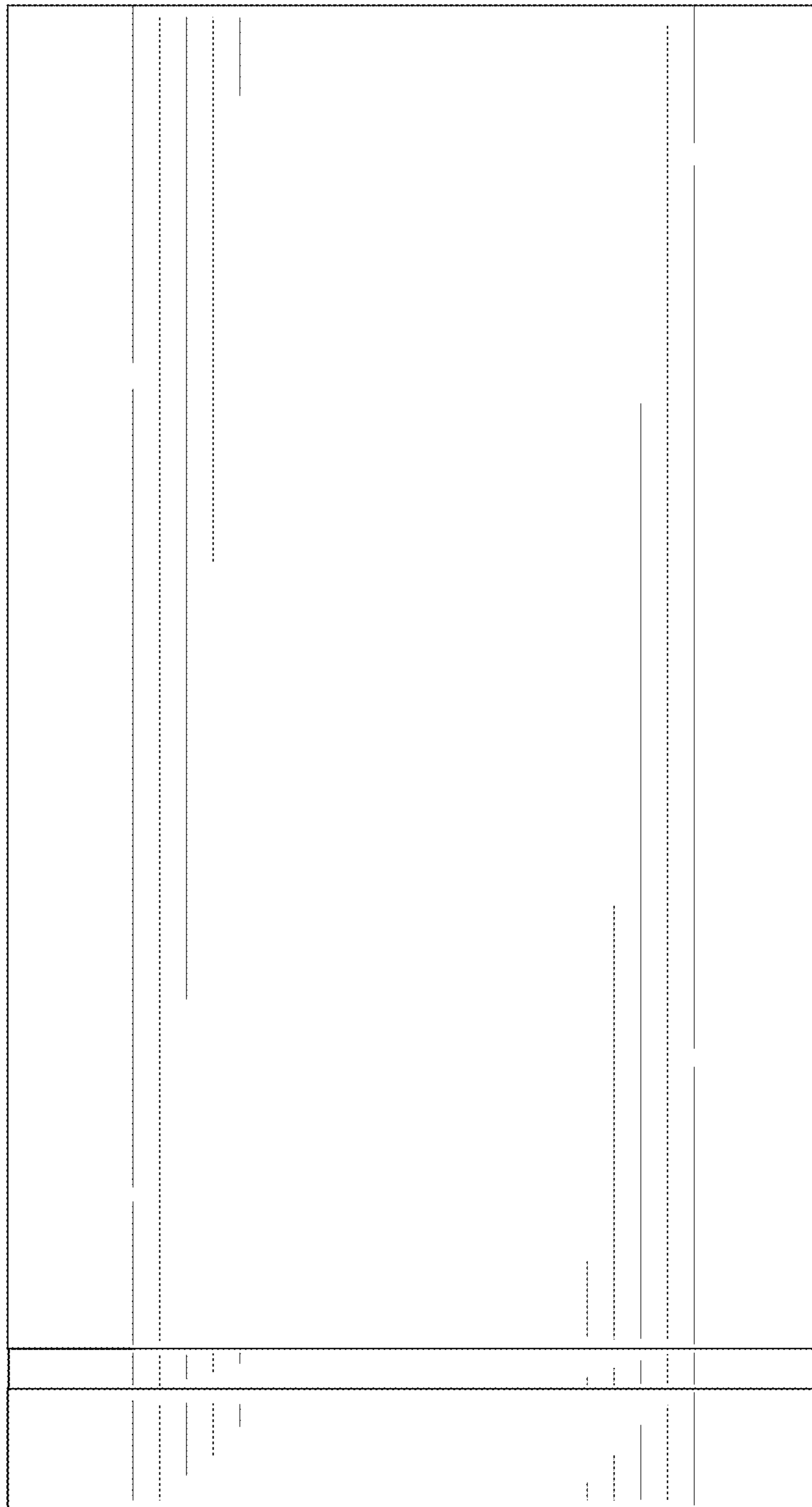


FIG. 3

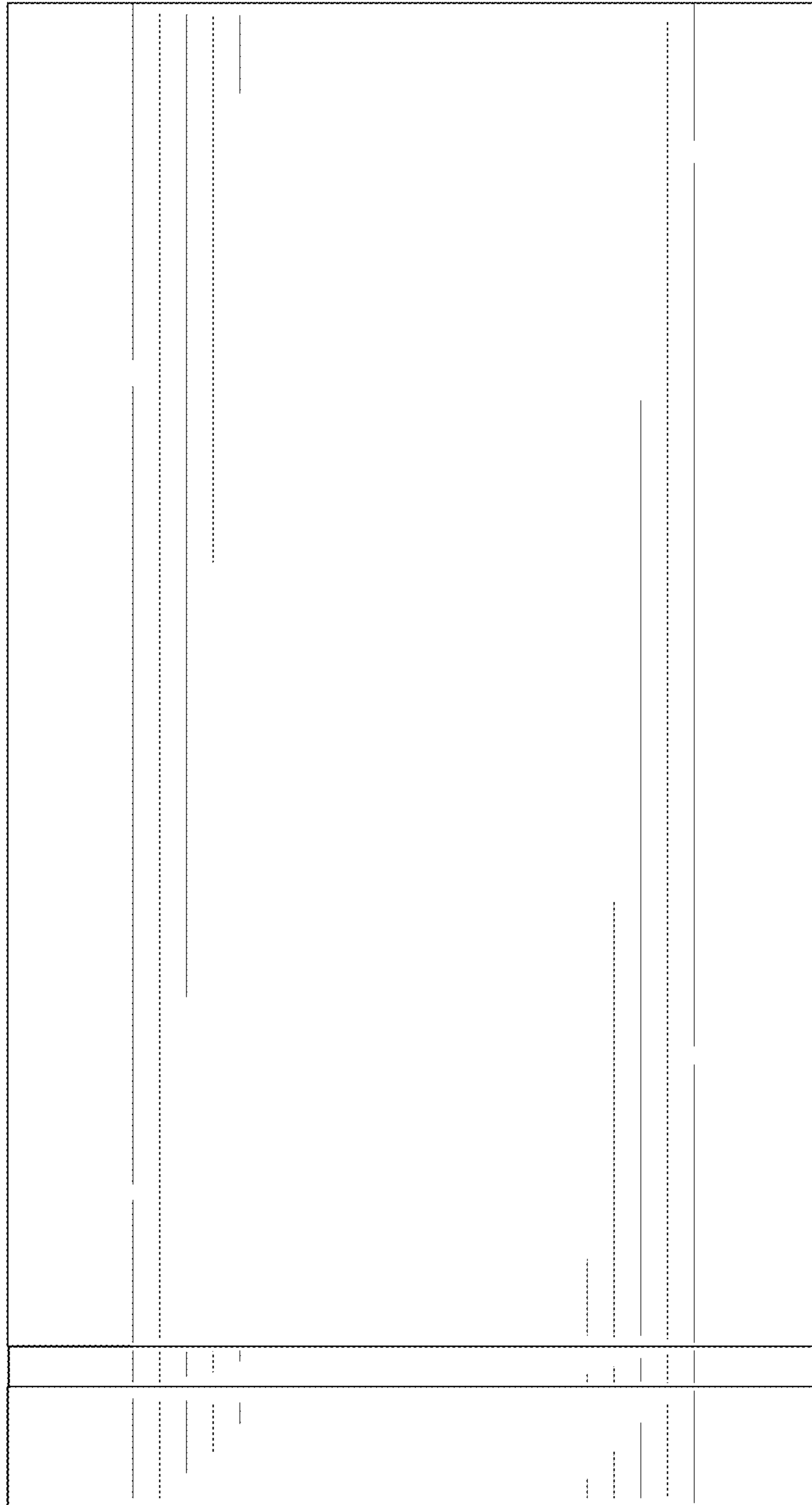


FIG. 4

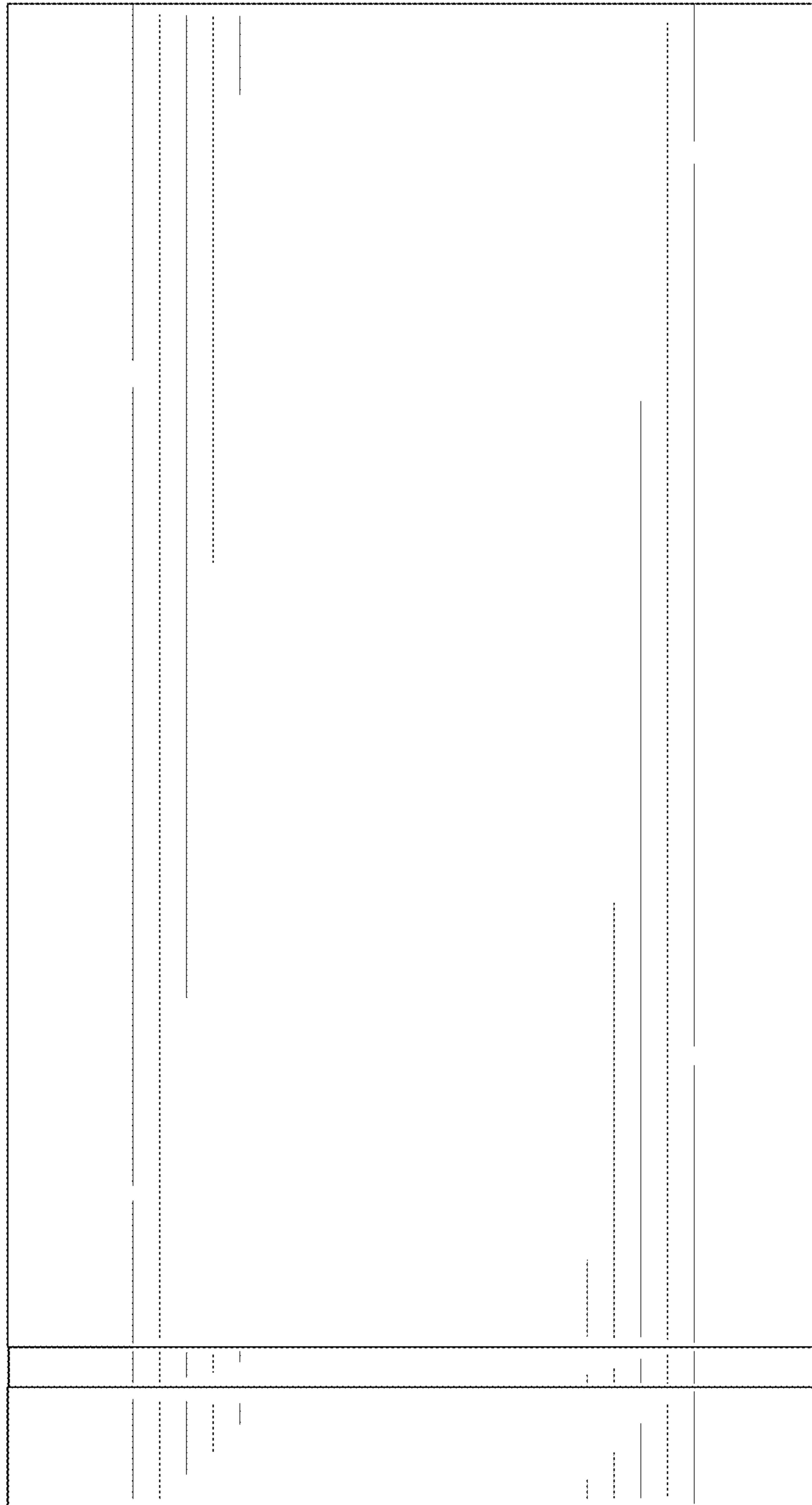


FIG. 5

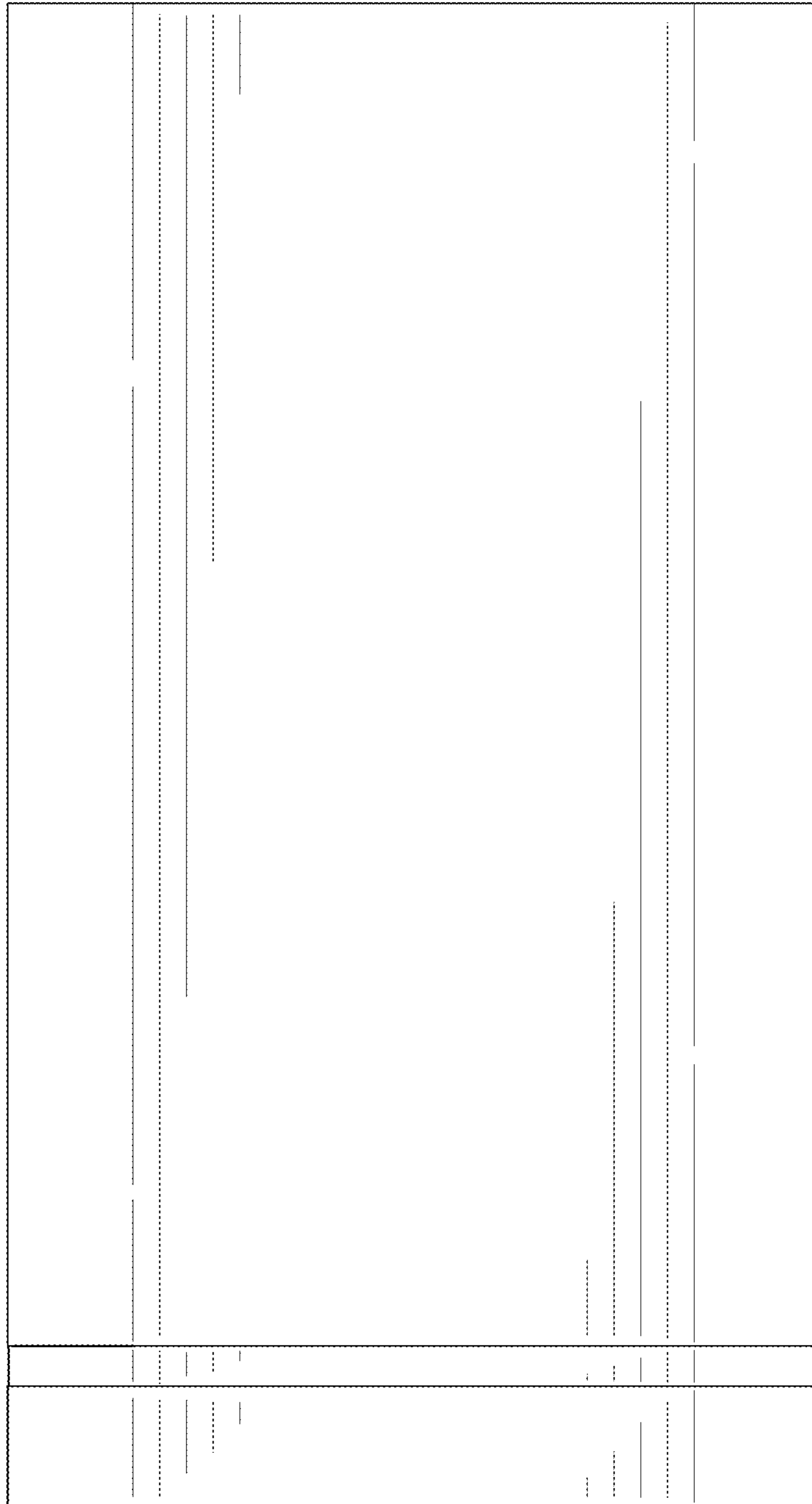


FIG. 6

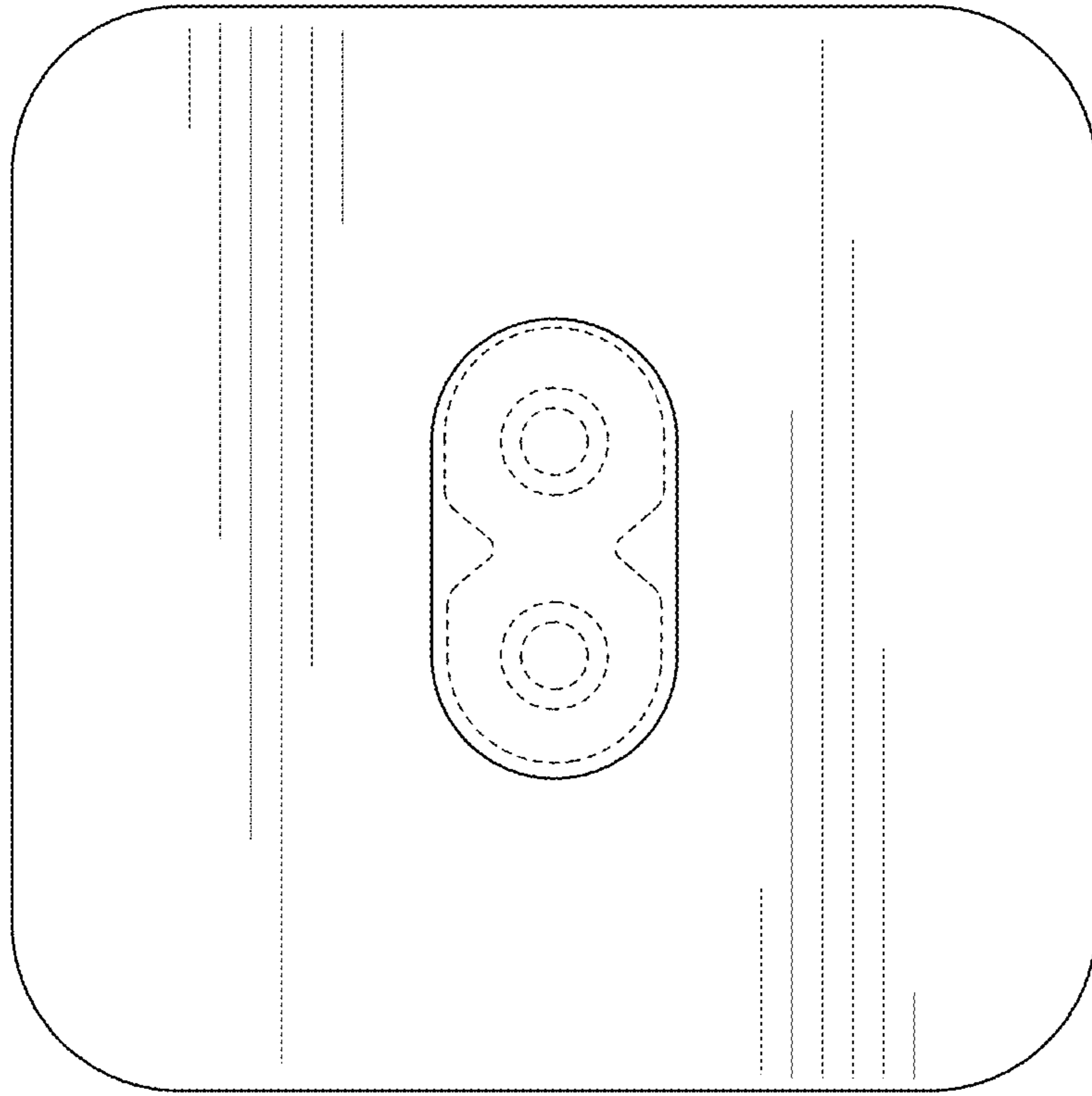


FIG. 7

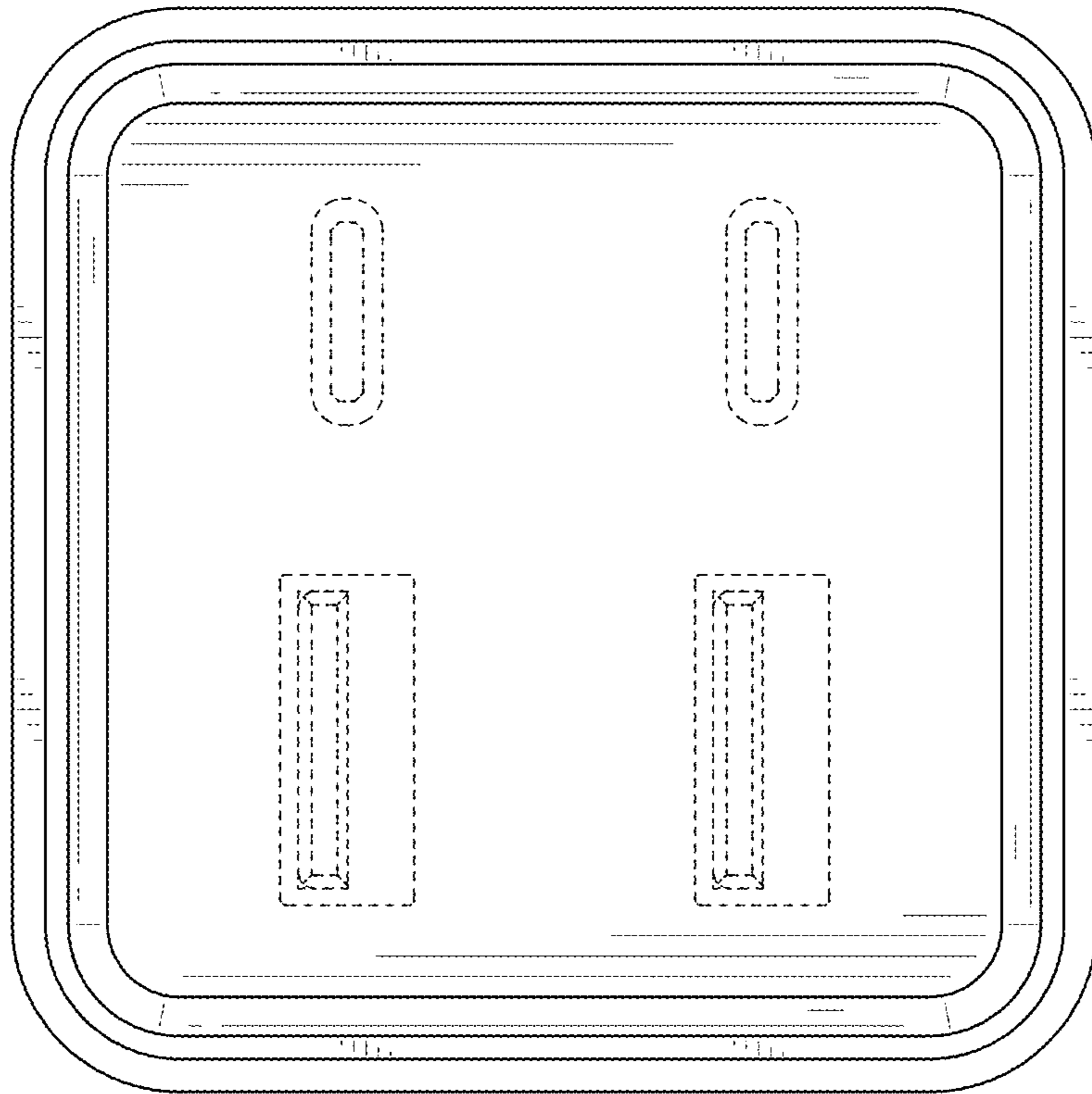


FIG. 8