

US00D948426S

(12) **United States Design Patent** (10) **Patent No.:** **US D948,426 S**
Liao (45) **Date of Patent:** **** *Apr. 12, 2022**

(54) **WIRELESS CHARGING STAND**
(71) Applicant: **GUANGDONG GOPOD GROUP CO., LTD.**, Shenzhen (CN)
(72) Inventor: **Zhuowen Liao**, Shenzhen (CN)
(*) Notice: This patent is subject to a terminal disclaimer.
(**) Term: **15 Years**
(21) Appl. No.: **29/719,455**
(22) Filed: **Jan. 3, 2020**
(30) **Foreign Application Priority Data**
Nov. 7, 2019 (CN) 201930611281.8
(51) **LOC (13) Cl.** **13-02**
(52) **U.S. Cl.**
USPC **D13/108; D14/252**
(58) **Field of Classification Search**
USPC D13/101, 103, 107, 108, 118, 119;
D6/682, 682.1; D14/251, 252, 253, 432,
D14/434, 447
CPC H04B 1/3877; H04B 1/3883; H04M 1/06;
G04G 19/02
See application file for complete search history.

(56) **References Cited**
U.S. PATENT DOCUMENTS
D554,107 S * 10/2007 Calco D14/217
D766,228 S * 9/2016 Haymond D14/252
D795,183 S * 8/2017 Akana D13/108
9,999,298 B1 * 6/2018 Sullins A47B 23/06
D870,041 S * 12/2019 Choi D13/108
D872,691 S * 1/2020 Liao D13/108
D875,679 S * 2/2020 Yi D13/108

D880,947 S * 4/2020 Oh D7/584
D886,059 S * 6/2020 Hu D13/108
D887,977 S * 6/2020 Weinstein H02J 7/0027
D13/108
D908,619 S * 1/2021 Chen D13/108
2009/0102419 A1* 4/2009 Gwon H02J 50/005
320/108
2016/0195898 A1* 7/2016 Lau H04M 1/04
361/679.41

OTHER PUBLICATIONS

“Mophie Wireless Charger”. Found online Feb. 11, 2021 at theverge.com. Reference dated Aug. 9, 2019. Retrieved from <https://www.theverge.com/2019/8/9/20798422/apple-mophie-dual-3-in-1-wireless-charging-pad-airpower>. (Year: 2019).*

(Continued)

Primary Examiner — Kendra Leslie Hamilton
Assistant Examiner — Amanda Christensen

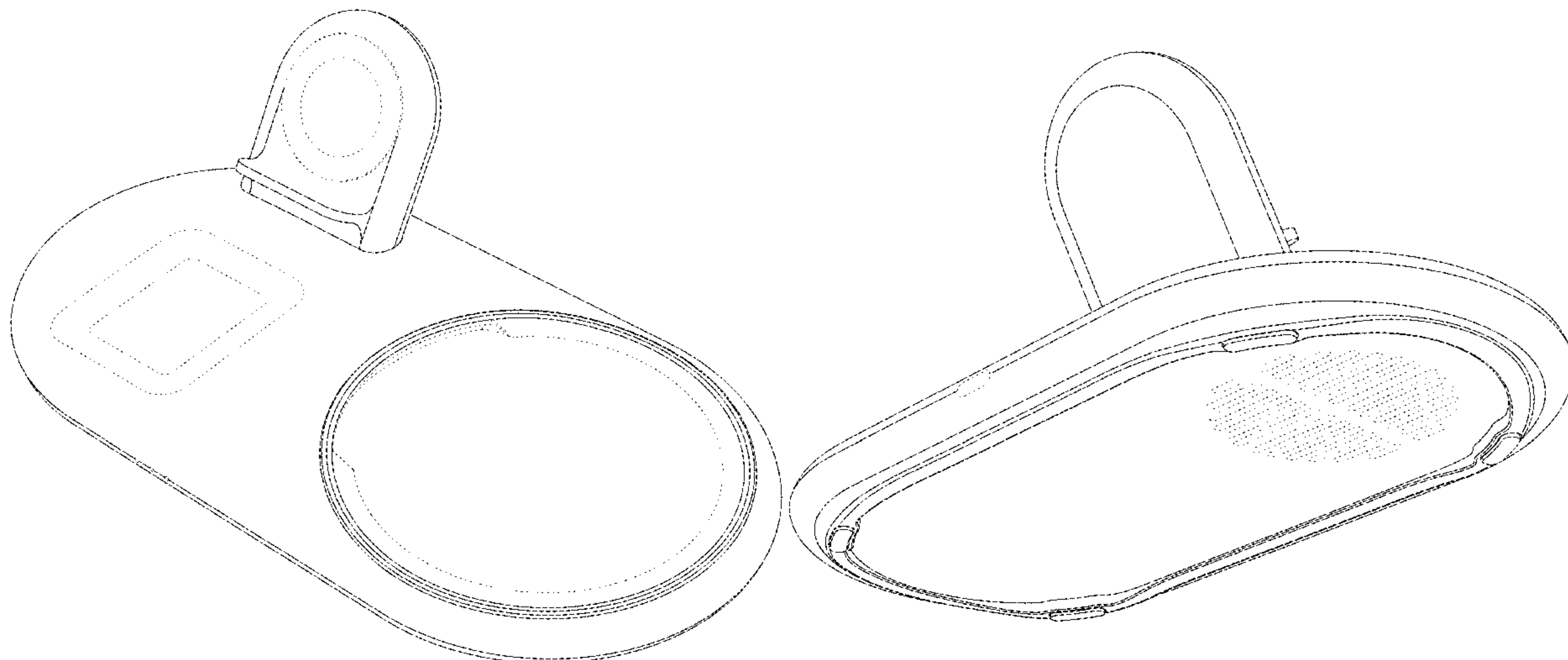
(57) **CLAIM**

The ornamental design for a wireless charging stand, as shown and described.

DESCRIPTION

FIG. 1 is a bottom, front, right side perspective view of a wireless charging stand, showing my new design;
FIG. 2 is a top, front, left side perspective view thereof;
FIG. 3 is a front elevation view thereof;
FIG. 4 is a rear elevation view thereof;
FIG. 5 is a left side elevation view thereof;
FIG. 6 is a right side elevation view thereof;
FIG. 7 is a top plan view thereof;
FIG. 8 is a bottom plan view thereof; and,
FIG. 9 is a top, rear, left side perspective view thereof.
The broken lines in the figures depict portions of the wireless charging stand that form no part of the claimed design.

1 Claim, 9 Drawing Sheets



(56)

References Cited

OTHER PUBLICATIONS

“Anker PowerWave Pad with Watch Holder”. Found online Feb. 10, 2021 at [anker.com](https://www.anker.com). Reference dated Feb. 15, 2019. Retrieved from <https://www.anker.com/products/variant/powerwave--pad-with-watch-holder/B2570J21>. (Year: 2019).*

“Seneo Dual Wireless Charging Pad with iWatch Stand”. Found online Feb. 10, 2021 at [amazon.com](https://www.amazon.com). Reference dated May 19, 2019. Retrieved from https://www.amazon.com/Wireless-Charger-Seneo-Charging-Airpods/dp/B07RKRBLPY/ref=psdc_2407761011_t4_B083SJRT2R. (Year: 2019).*

* cited by examiner

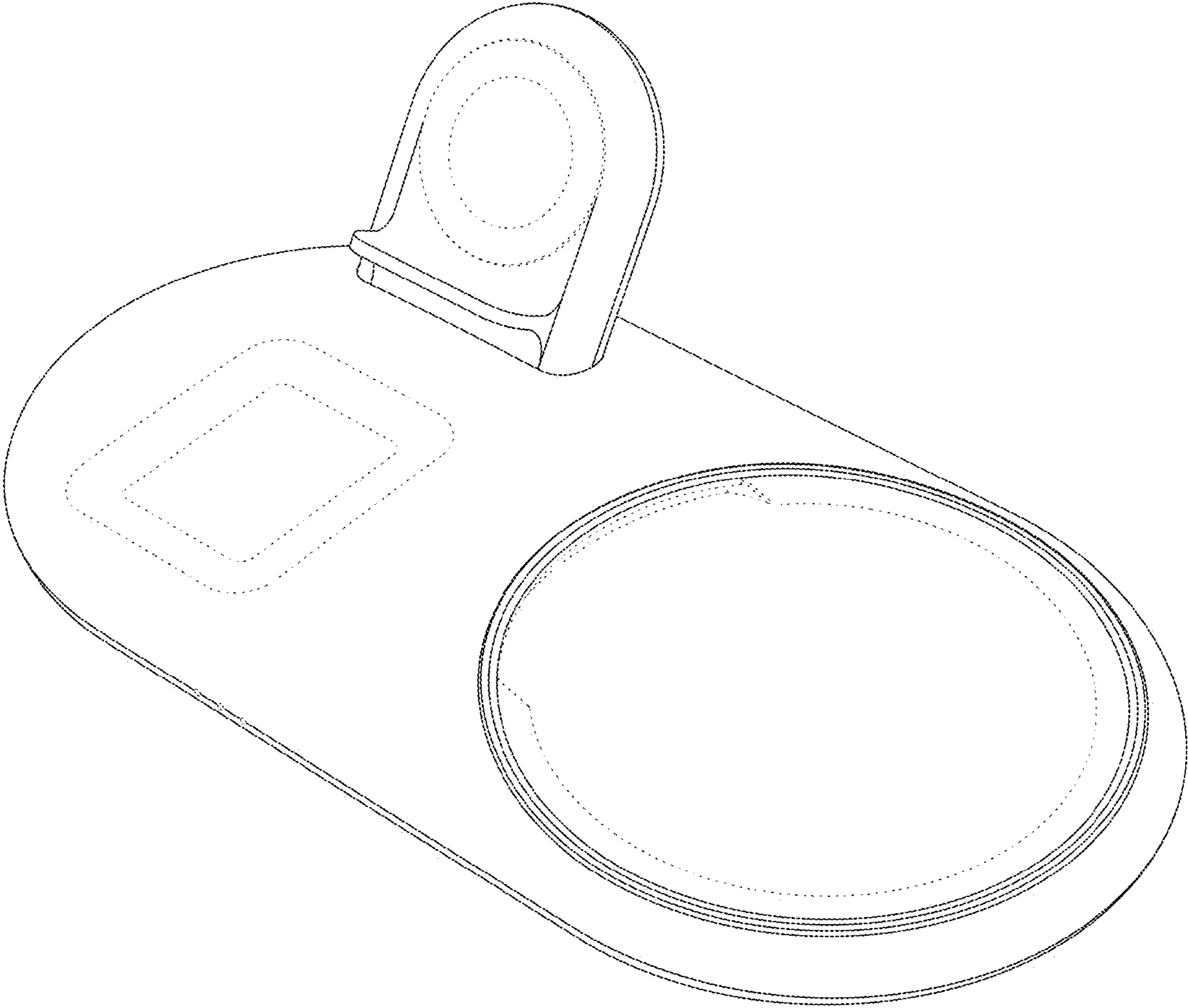


FIG. 1

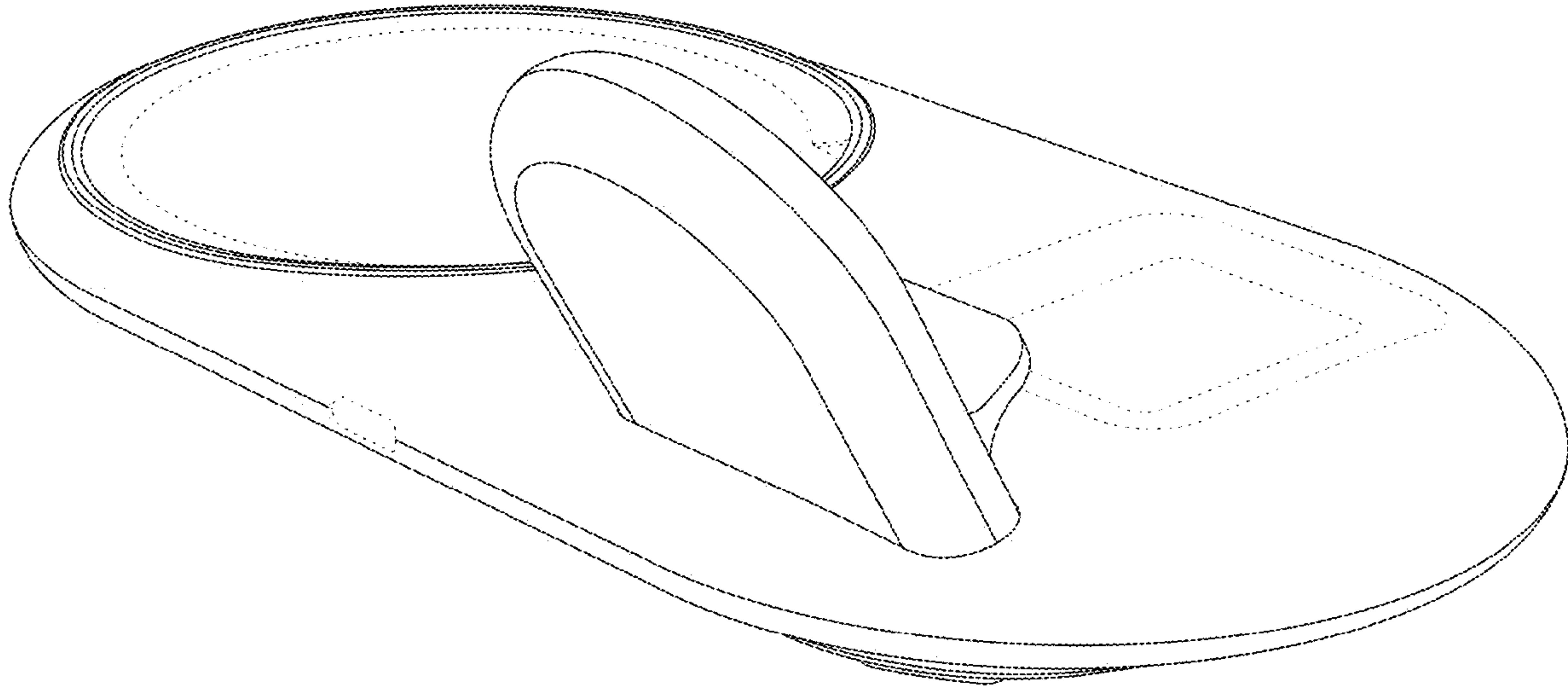


FIG. 2

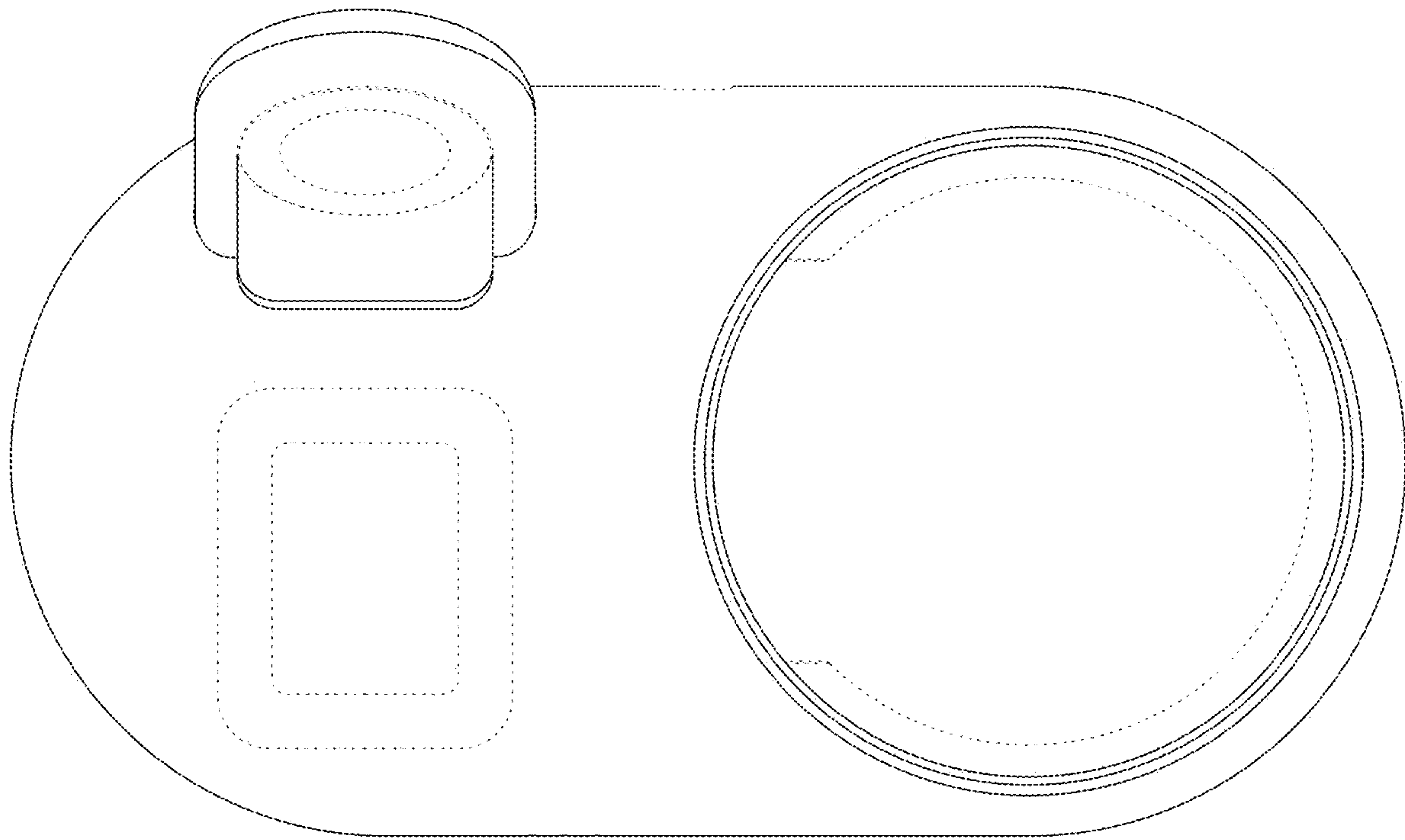


FIG. 3

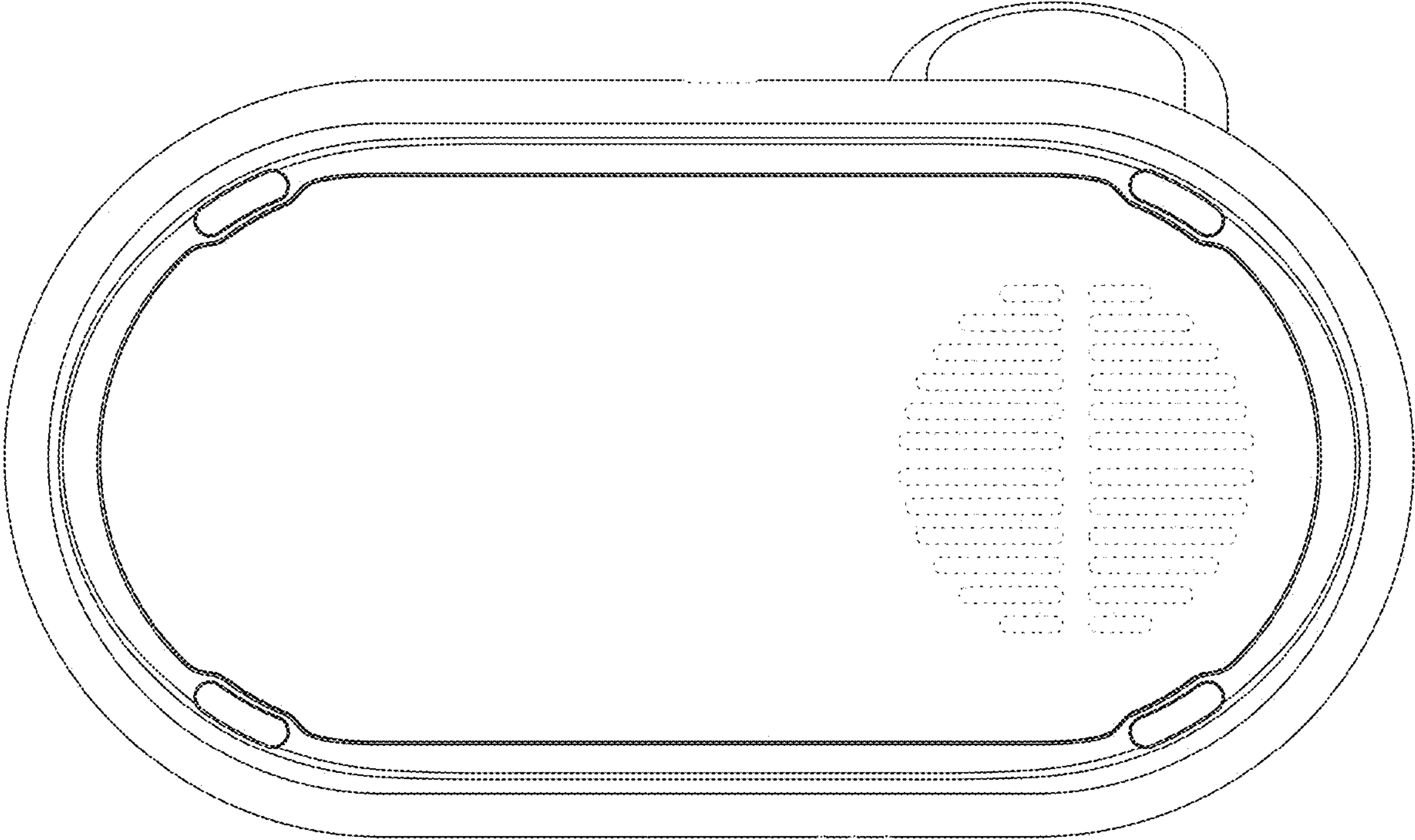


FIG.4

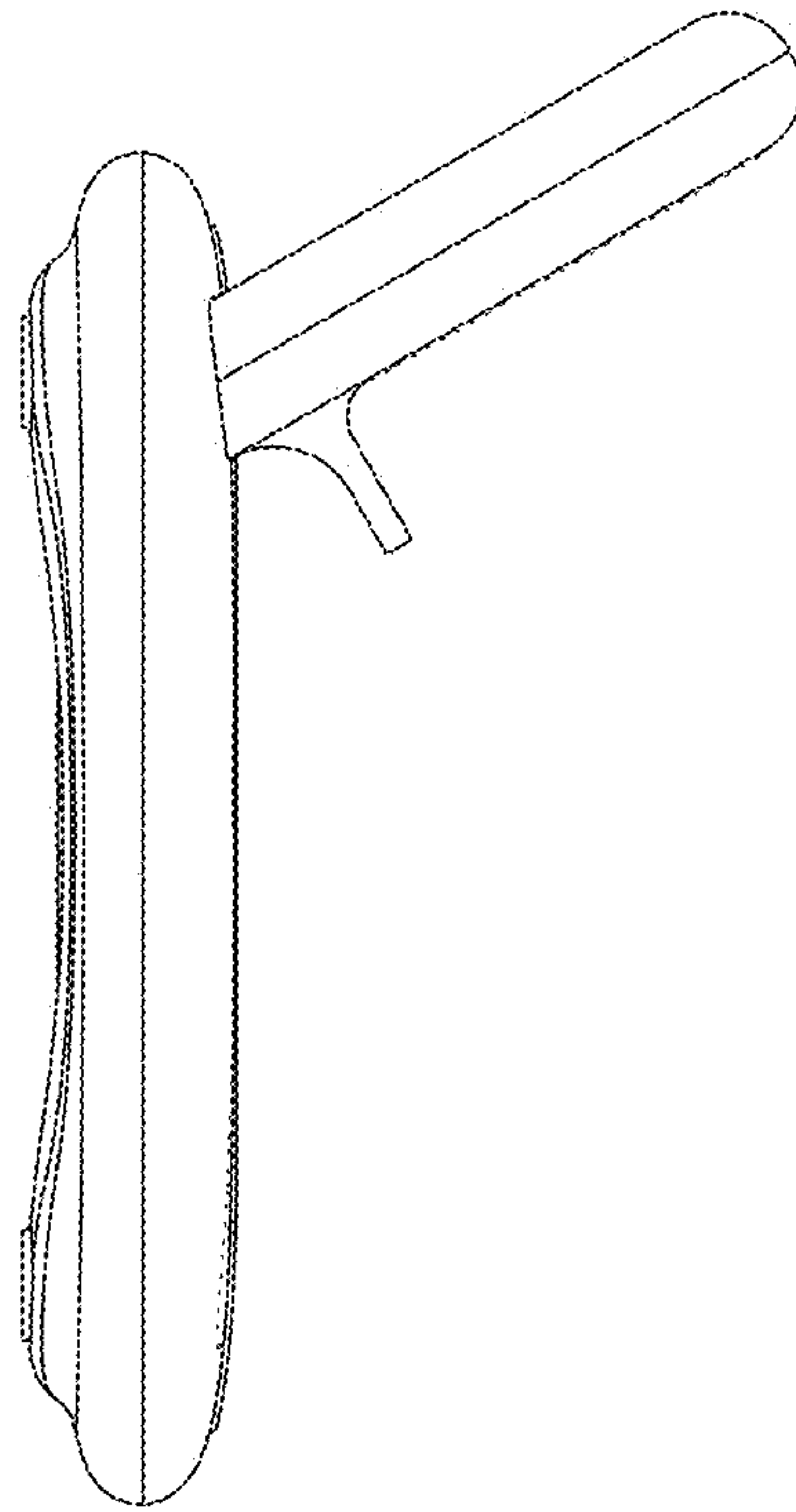


FIG.5

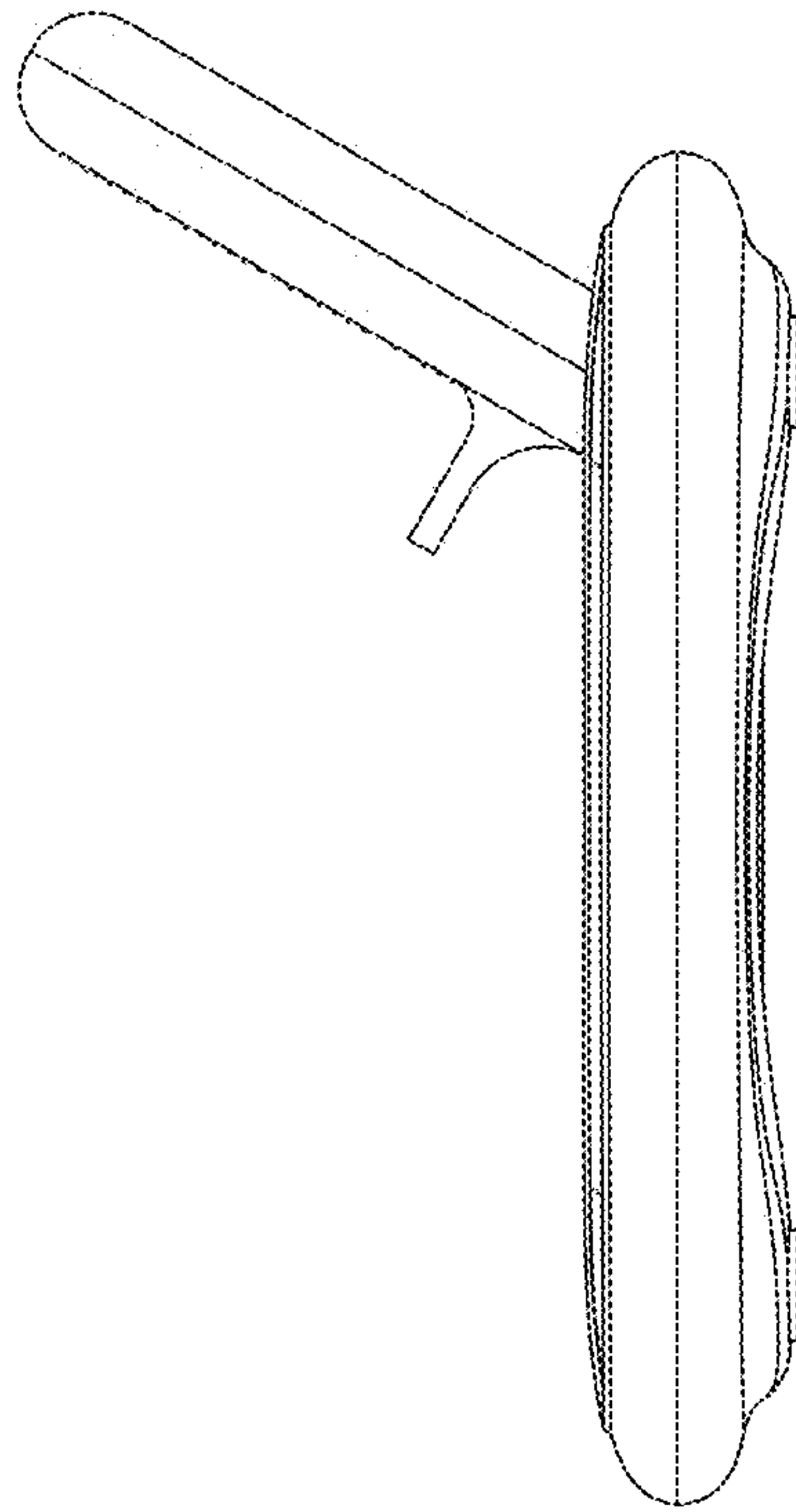


FIG.6

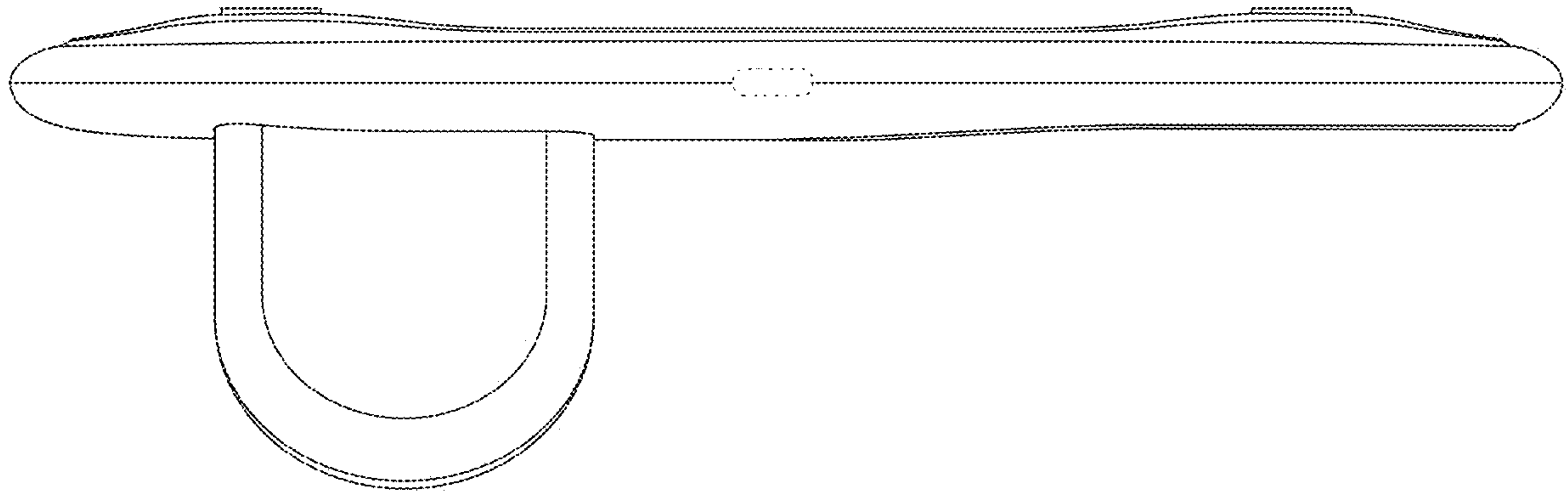


FIG.7

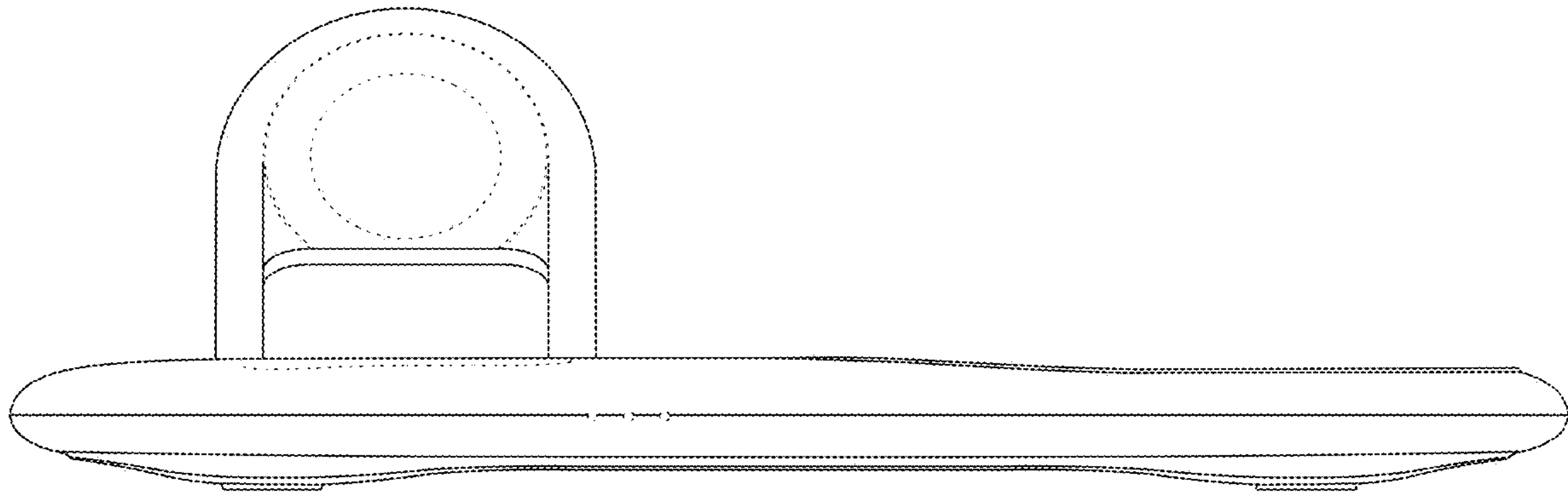


FIG.8

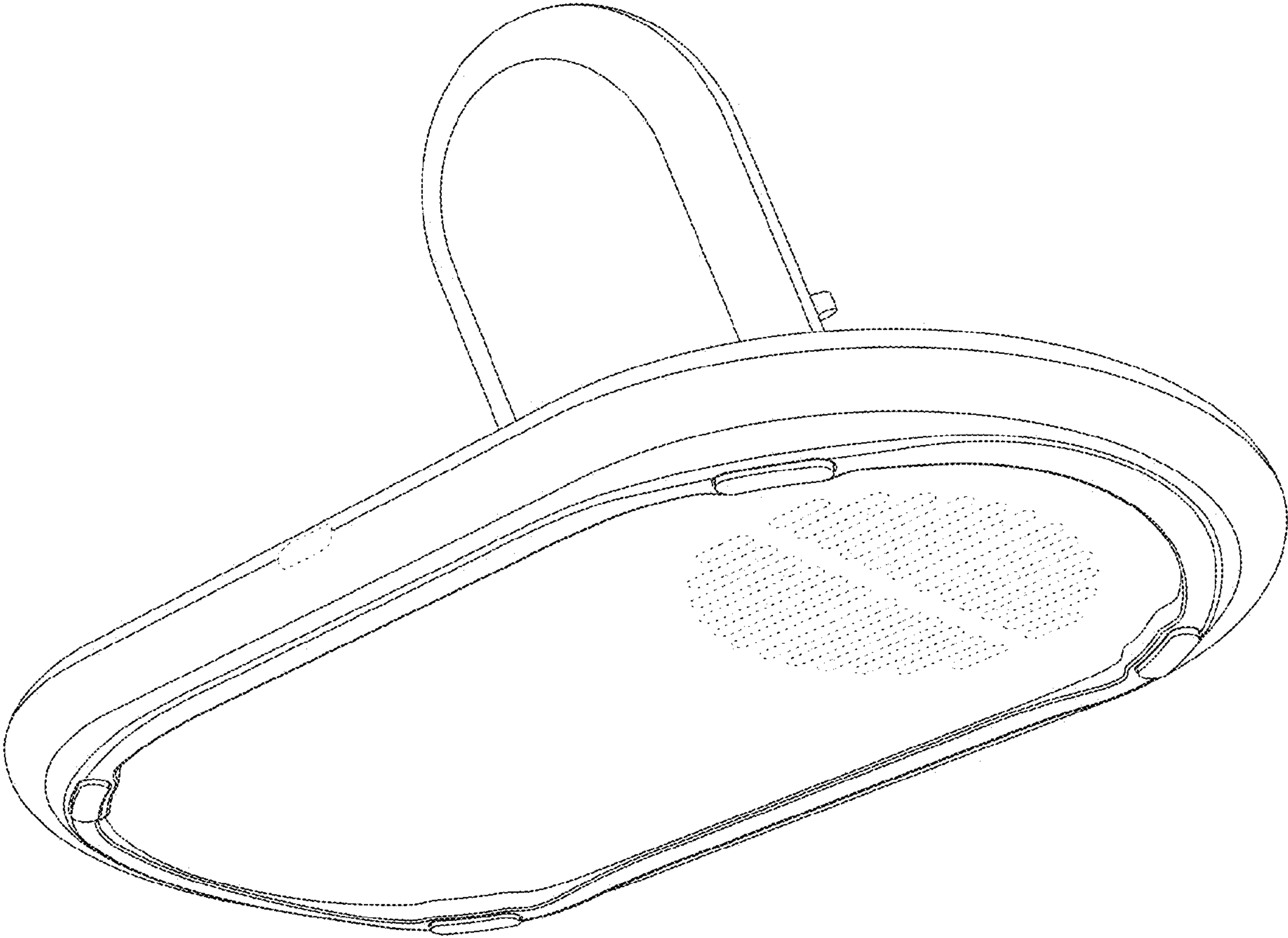


FIG. 9